

Manufacturer:

OilQuickAmericas
155 Main Street
Superior, WI 54880
Phone: 262.607.8425
Fax: 715.395.3703

E-mail: info@oilquickamericas.com
Web: www.oilquickamericas.com

When ordering spare parts:

- Include the part number, description and desired quantities.
- Include your complete address.
- Specify how the parts are to be delivered.



TABLE OF CONTENTS

QQ65 2.0

1.0 - HYDRAULIC FRAME ASSEMBLY

1.1 - QQ65 - D-FRAME ASSEMBLY	4
-------------------------------------	---

2.0 - HYDRAULIC COMPONENTS

2.1 - COUPLING 1/2" & 3/4"	6
2.2 - SPLITBLOCK	8

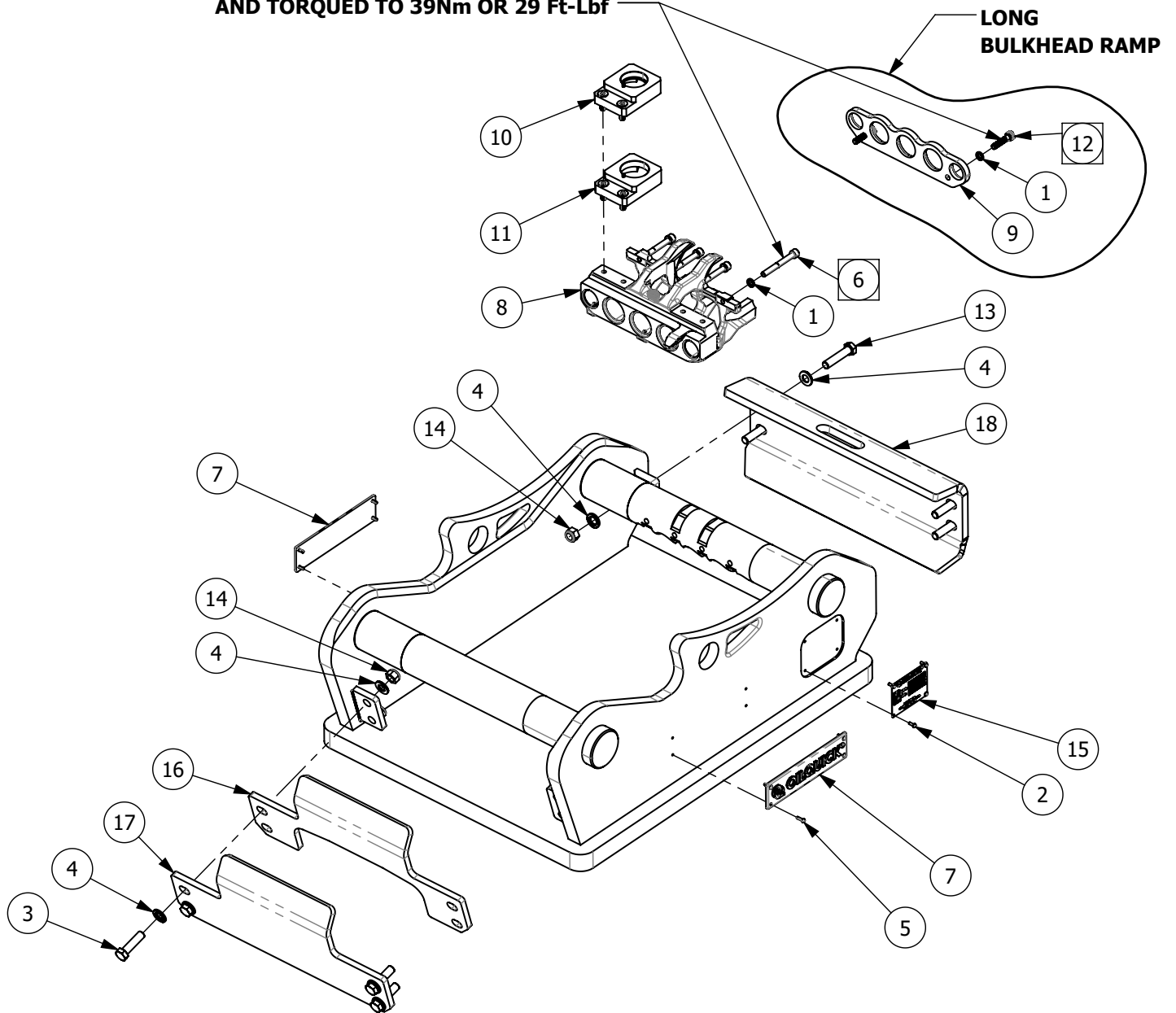
3.0 - ELECTRICAL COUPLINGS

3.1 - V90-10	10
--------------------	----

1.0 - HYDRAULIC FRAME ASSEMBLY

1.1 - OQ65 - D-FRAME ASSEMBLY

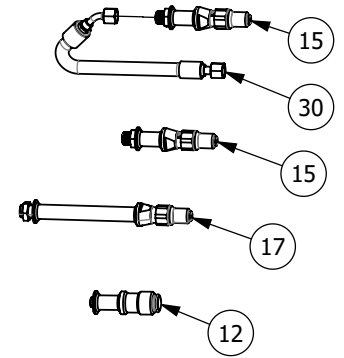
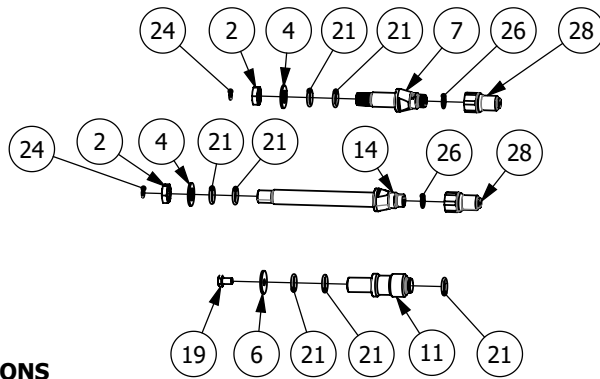
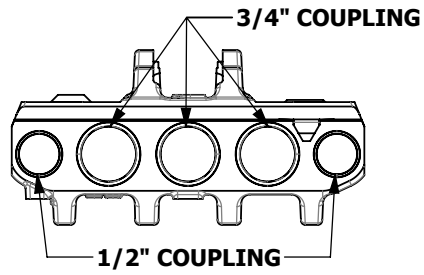
ITEM **6** AND **12** ARE TO BE INSTALLED DRY
AND TORQUED TO 39Nm OR 29 Ft-Lbf



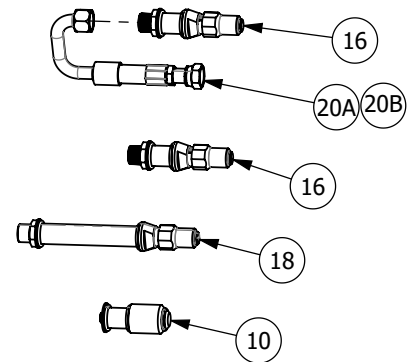
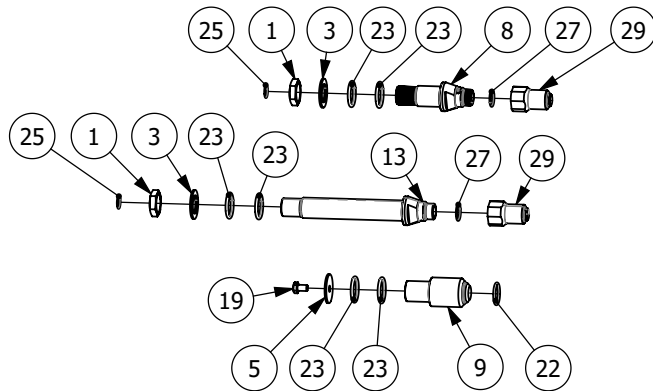
ITEM	PN#	NAME	QTY	UOM
1	50-00773	WASHER NORDLOCK M8 - 13.5 X 2.5 1231	6	EA
2	50-01065	DRIVE SCREW #6 X 3/8 STAINLESS RIVET	4	EA
3	50-01097	HH CS M12 - 1.75 X 45 Z_10.9 DIN 931	4	EA
4	50-01098	WASHER M12 - 24.0 X 2.5 Z_DIN 125	16	EA
5	50-01295	DRIVE SCREW #6 X 1/2 STAINLESS	8	EA
6	50-01420	SH CS M8 - 1.25 X 70 Z_12.9	4	EA
7	OQ4116145	EMBLEM - OILQUICK - OQ45-OQ65	2	EA
8	OQ4136499	COUPLING RAMP OQ65 BOLT ON	1	EA
9	OQ4136970	REAR COUPLING RAMP PLATE OQ65 LONG	1	EA
10	OQ5118305	MOUNTING KIT V90-10 OQ65 2.0	1	EA
11	OQ5118306	MOUNTING KIT V90-17 OQ65 2.0	1	EA
12	OQ7060078	SH CS M8 - 1.25 X 35 Z_12.9	2	EA
13	OQ7060217	HH CS M12 x 55 8.8 FZB	4	EA
14	OQ7065005	NUT - M12 NYLOCK	8	EA
15	OQE04743	SERIAL TAG - OILQUICK AMERICAS	1	EA
16	OQE07542	PROTECTION PLATE FRONT - OQ65 CUTOUT 2.0	1	EA
17	OQE07543	PROTECTION PLATE FRONT - OQ65 SOLID 2.0	1	EA
18	OQE07544	PROTECTION PLATE REAR - OQ65 SOLID 2.0	1	EA

2.0 - HYDRAULIC COMPONENTS

2.1 - COUPLING 1/2" & 3/4"



1/2" COUPLING OPTIONS

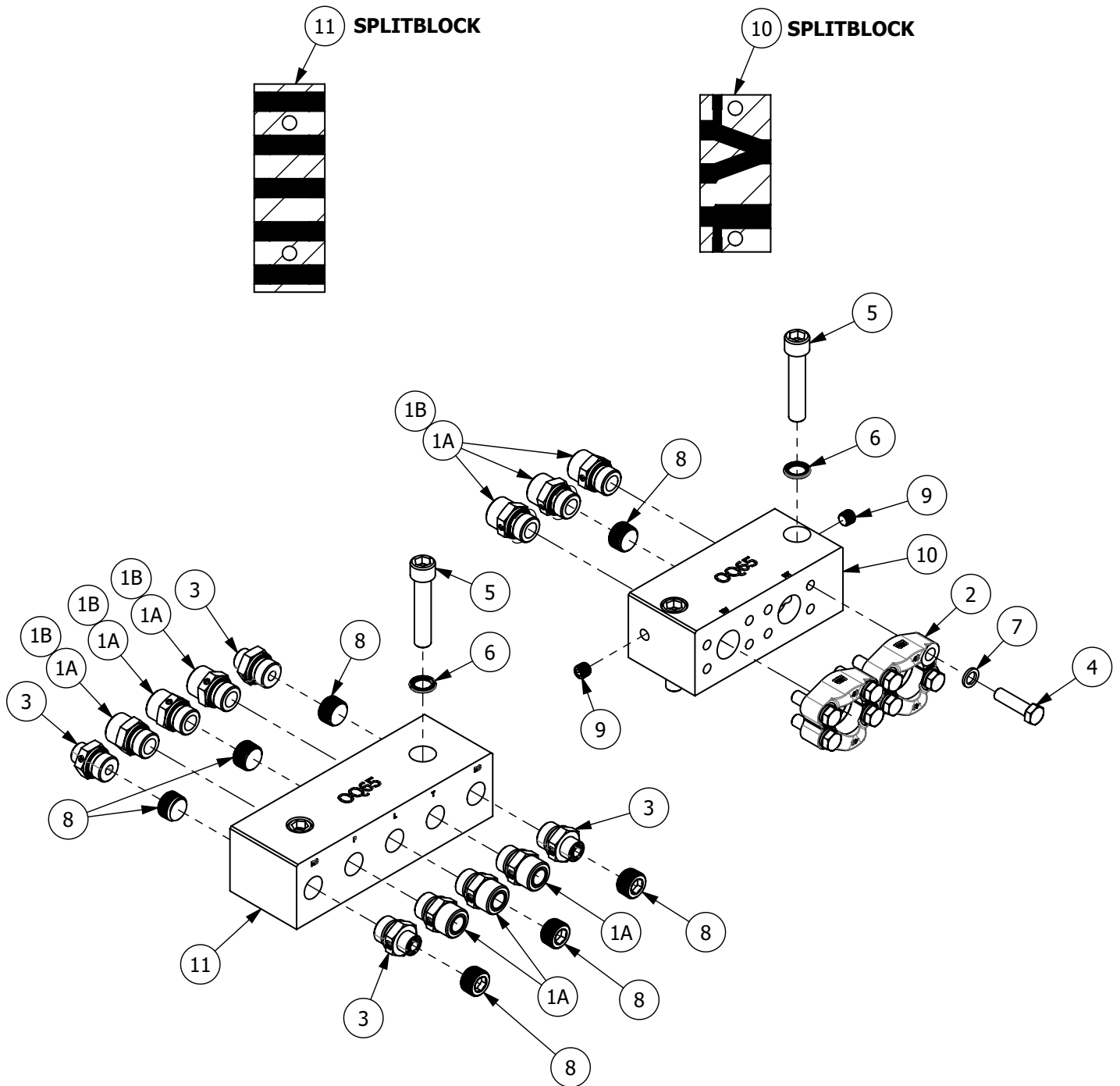


3/4" COUPLING OPTIONS

ITEM	PN#	NAME	QTY	UOM
1	40-00500	FTG-HYD 12MO LOCKNUT	2	EA
2	40-00501	FTG-HYD 08MO LOCKNUT	2	EA
3	OQ4112315	WASHER 1.188 - 1.88 X 0.12 P	2	EA
4	OQ4112316	WASHER 0.750 - 1.49 X 0.12 P	2	EA
5	OQ4112659	WASHER 3/4"	1	EA
6	OQ4112660	WASHER 1/2"	1	EA
7	OQ4113765	BULKHEAD 1/2" SHORT OQ65	1	EA
8	OQ4113766	BULKHEAD 3/4" SHORT OQ65	1	EA
9	OQ4113857	POLY ADAPTER 3/4"	1	EA
10	OQ4113858	POLY ADAPTER 3/4" OQ60-65	1	EA
11	OQ4113859	POLY ADAPTER 1/2"	1	EA
12	OQ4113860	POLY ADAPTER 1/2" OQ60-65	1	EA
13	OQ4116379	BULKHEAD 3/4" LONG OQ65	1	EA
14	OQ4116380	BULKHEAD 1/2" LONG OQ65	1	EA
15	OQ5110082	COUPLING KIT 1/2" OQ65 NO BLOCK	2	EA
16	OQ5110083	COUPLING KIT 3/4" OQ65 NO BLOCK	2	EA
17	OQ5118084	COUPLING KIT 1/2" LONG OQ65	1	EA
18	OQ5118085	COUPLING KIT 3/4" LONG OQ65	1	EA
19	OQ7060118	HH CS M10 - 1.50 X 16	2	EA
20A	OQ7151131	HOSE-12-100R15-12FOX-12FOX180-6.762	1	EA
20B	OQ7150219	HYDRAULIC HOSE/PIPE 3/4"	1	EA
21	OQ7160031	RUBBER RING 22x4	7	EA
22	OQ7160032	RUBBER RING 30x4	1	EA
23	OQ7160043	O-RING 34x5 NBR 70	6	EA
24	OQ7160045	O-ring 12,42x1,78 NBR90	2	EA
25	OQ7160046	O-RING-018 -12MO (18,77x1,78) NBR 90D	2	EA
26	OQ7160048	O-ring 17,6x2,62 NBR70	2	EA
27	OQ7160049	O-RING 23,47x2,62 NBR70	2	EA
28	OQ7206017	HYDRAULIC COUPLING 1/2", MALE	2	EA
29	OQ7206019	HYDRAULIC COUPLING 3/4", MALE	2	EA
30	OQE02605	HOSE HYD- 08M5K-08FOX-08FOX45	1	EA

2.0 - HYDRAULIC COMPONENTS

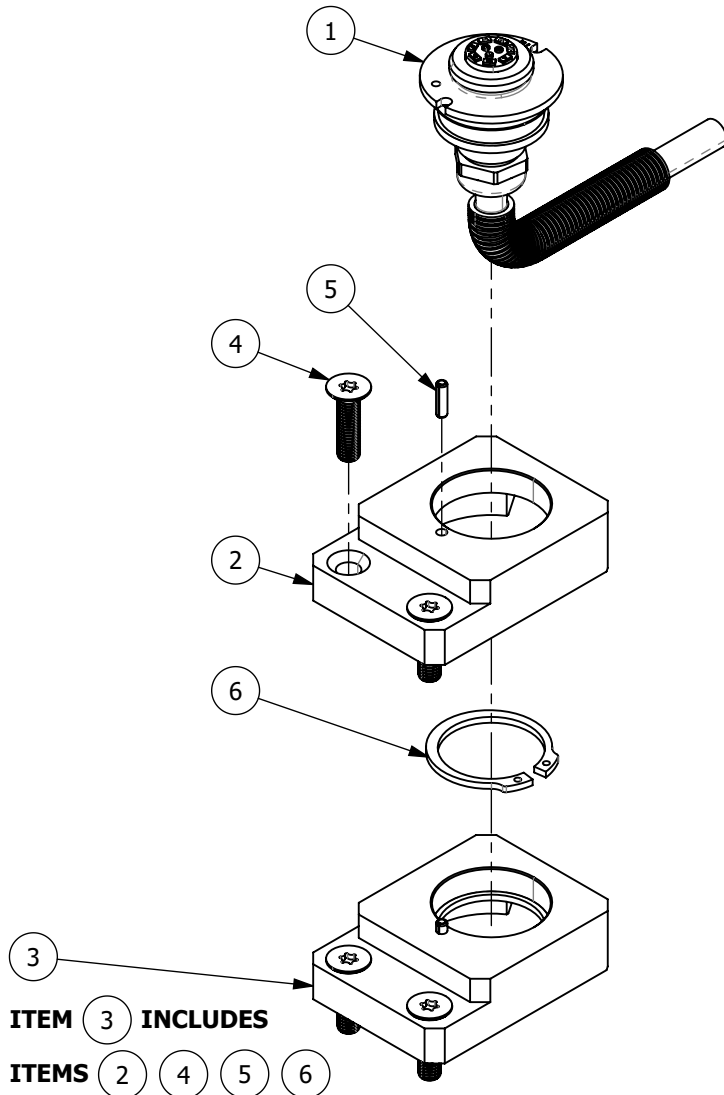
2.2 - SPLITBLOCK



ITEM	PN#	NAME	QTY	UOM
1A	40-01473	FTG-HYD 12G-E-12MO	9	EA
1B	PQ7200297	NIPPLE 25S-G3/4" UF ED	3	EA
2	40-02362	SPLIT FLANGE -16FL62 ISO6162	4	EA
3	40-02640	FTG-HYD 12MBSPP-08MO SEAL-E	4	EA
4	50-00107	HH CS M12 - 1.75 X 45 P_10.9 D933	8	EA
5	50-00701	SH CS M16 - 2.00 X 80 P_12.9	4	EA
6	50-00734	WASHER NORDLOCK M16 - 25.4 X 3.3 1536	4	EA
7	OQ7072007	WASHER M12 X 19.5 X 2.5 NORDLOCK	8	EA
8	OQ7091010	Plug G3/4" ED	7	EA
9	OQ7200283	Plug G1/4" ED	2	EA
10	OQ7200289	SPLIT BLOCK 3x3/4"-SAE6 1/4"	1	EA
11	OQ7200290	Hydr.block 3x3/4", 2x1/2"	1	EA

3.0 - ELECTRICAL COUPLINGS

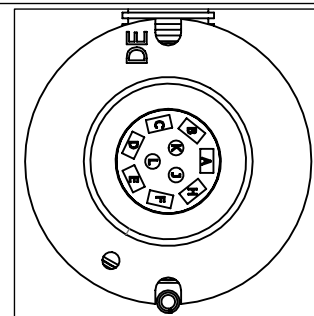
3.1 - V90-10



V90-10 PIN DIAGRAM

CONTACT	CABLE
A	1
B	2
C	3
D	4
E	5
F	6
H	7
J	8
K	9
L	10
	G-G
N.C.	11

UNCONNECTED CABLES MAY BE CUT
N.C. = NOT CONNECTED
G-G = YELLOW / GREEN ALTERNATE 12



STANDARD V90 COUPLING WITH PIGTAIL HARNESS (LOOSE WIRES) SHOWN. ACTUAL V90 CONFIGURATION MAY VARY.

ITEM	PN#	NAME	QTY	UOM
1	OQ4125039	ELECTRICAL COUPLING V90-10 MALE Ø50	1	EA
2	OQ4136596	HOLDER V90-10 OQ65	1	EA
3	OQ5118305	MOUNTING KIT V90-10 OQ65 2.0	1	EA
4	OQ7060350	SCREW	2	EA
5	OQ7089013	Spring pin FRP 4x14 DIN 1481	1	EA
6	OQ7170054	Circlip AS 40 t=2,5	1	EA

Dealer:



OilQuickAmericas
155 Main Street
Superior, WI 54880
Phone: 262.607.8425
Fax: 715.395.3703

E-mail: info@oilquickamericas.com
Web: www.oilquickamericas.com