

**Manufacturer:**

OilQuickAmericas  
155 Main Street  
Superior, WI 54880  
Phone: 262.607.8425  
Fax: 715.395.3703

E-mail: [info@oilquickamericas.com](mailto:info@oilquickamericas.com)  
Web: [www.oilquickamericas.com](http://www.oilquickamericas.com)

**When ordering spare parts:**

- Include the part number, description and desired quantities.
- Include your complete address.
- Specify how the parts are to be delivered.





# TABLE OF CONTENTS

## OQ90 2.0

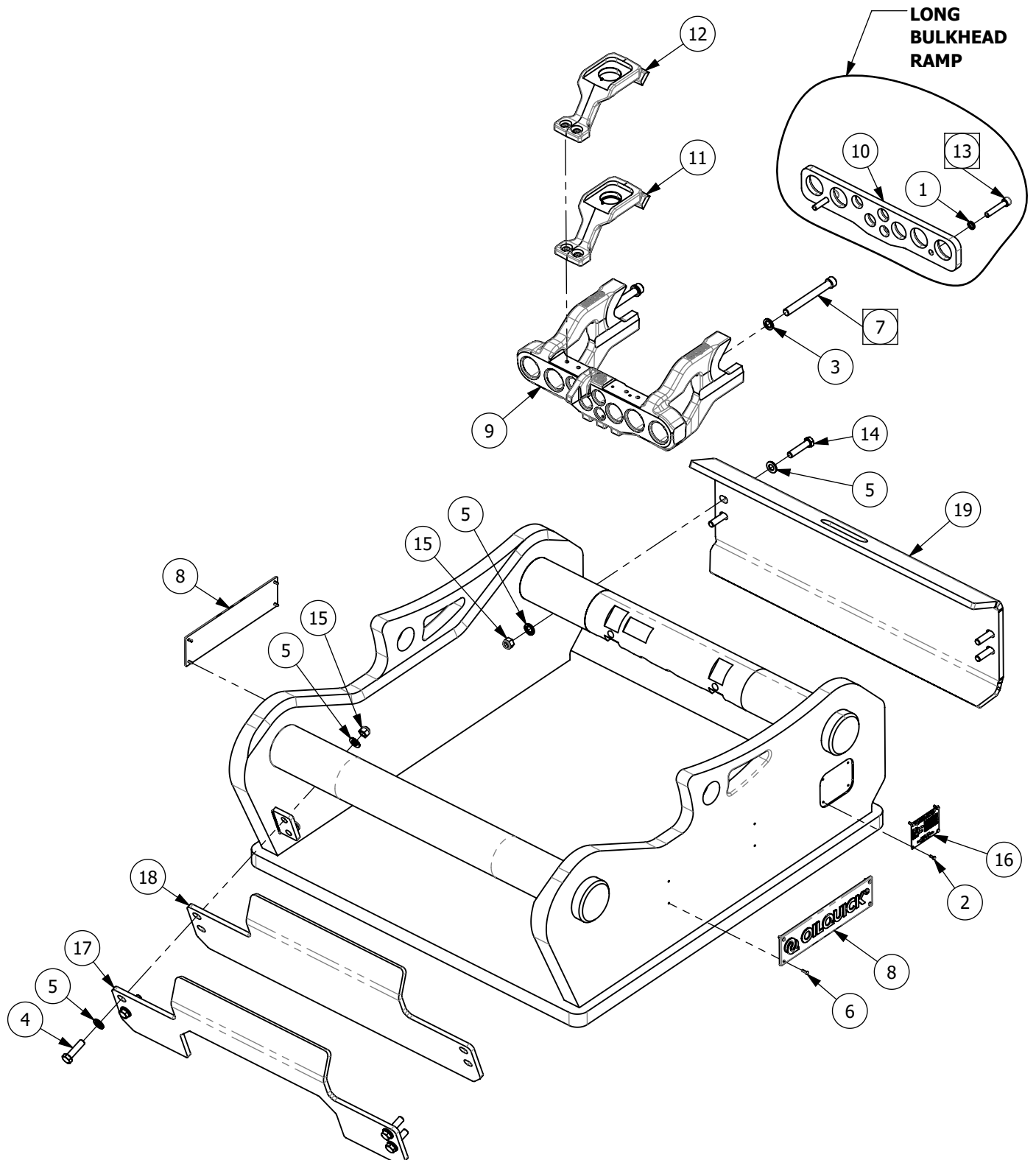
<b>1.0 - HYDRAULIC FRAME ASSEMBLY</b> .....	<b>4</b>
1.1 - OQ90 - D-FRAME ASSEMBLY .....	4
<b>2.0 - HYDRAULIC COMPONENTS</b> .....	<b>6</b>
2.1 - COUPLING 3/8", 1/2", 3/4", & 1" .....	6
2.2 - SPLITBLOCK .....	10
<b>3.0 - ELECTRICAL COUPLINGS</b> .....	<b>12</b>
3.1 - V90-10 .....	12

# 1.0 - HYDRAULIC FRAME ASSEMBLY

## 1.1 - OQ90 - D-FRAME ASSEMBLY

ITEM **7** IS TO BE INSTALLED DRY  
AND TORQUED TO 175Nm OR 129 Ft-Lbf

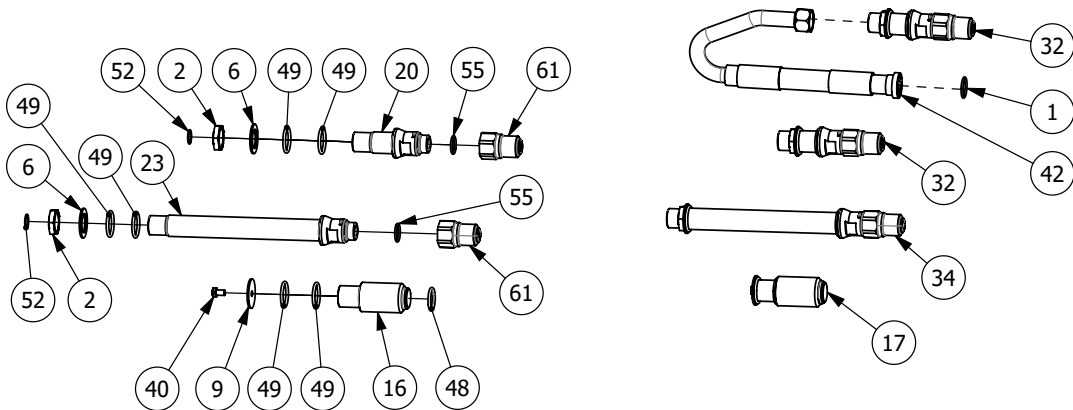
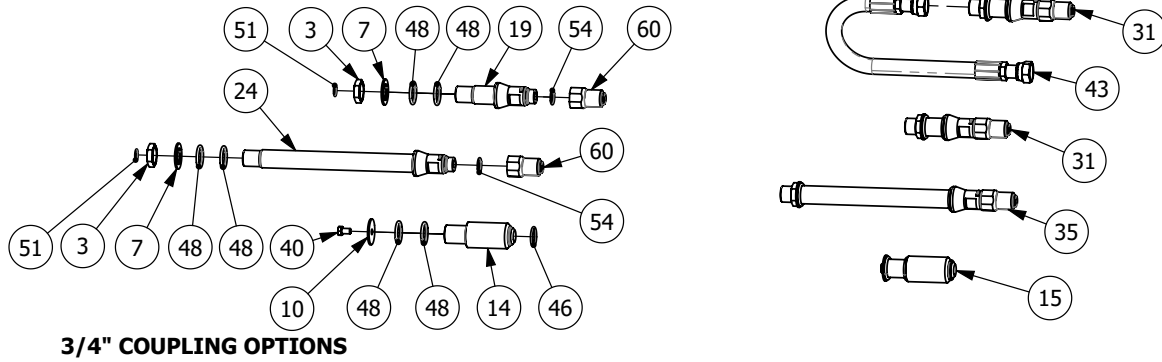
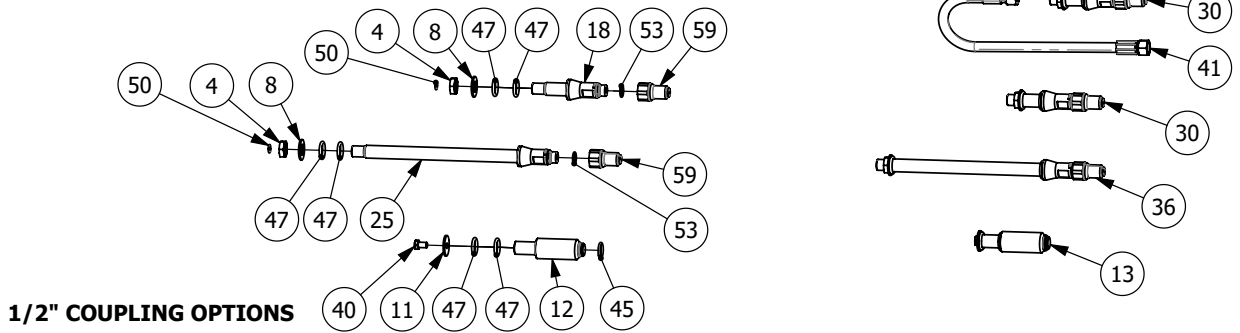
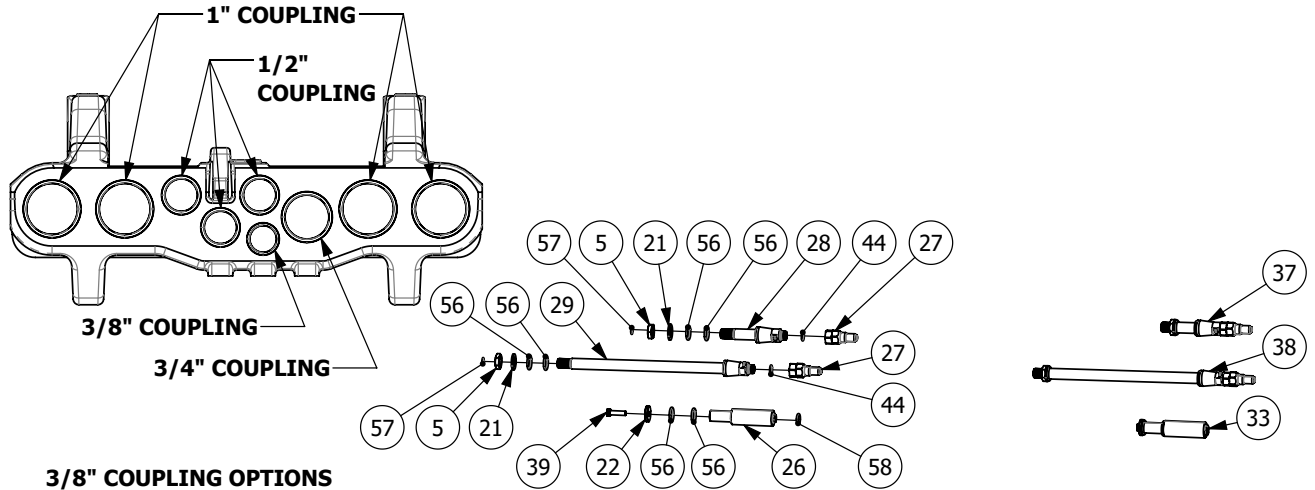
ITEM **13** IS TO BE INSTALLED DRY  
AND TORQUED TO 65Nm OR 48 Ft-Lbf



ITEM	PN#	NAME	QTY	UOM
1	50-00682	WASHER NORDLOCK M10 - 16.6 X 2.5 1244	2	EA
2	50-01065	DRIVE SCREW #6 X 3/8 STAINLESS RIVET	4	EA
3	50-01091	WASHER NORDLOCK M14 - 23.1 X 3.3	2	EA
4	50-01097	HH CS M12 - 1.75 X 45 Z_10.9 DIN 931	4	EA
5	50-01098	WASHER M12 - 24.0 X 2.5 Z_DIN 125	16	EA
6	50-01295	DRIVE SCREW #6 X 1/2 STAINLESS	8	EA
7	50-01417	SH CS M14 - 2.00 X 130 Z_12.9	2	EA
8	OQ4116271	EMBLEM - OILQUICK - OQ70-OQ120	2	EA
9	OQ4136201	COUPLING RAMP OQ90 BOLT ON	1	EA
10	OQ4136329	BACKING PLATE RAMP OQ90 BOLT ON LONG	1	EA
11	OQ5113108	V90-10 MOUNTING KIT OQ90 2.0	1	EA
12	OQ5113109	V90-17 MOUNTING KIT OQ90 2.0	1	EA
13	OQ7060106	Screw MC6S M10x55 12.9	2	EA
14	OQ7060217	HH CS M12 x 55 8.8 FZB	4	EA
15	OQ7065005	NUT - M12 NYLOCK	8	EA
16	OQE04743	SERIAL TAG - OILQUICK AMERICAS	1	EA
17	OQE06149	PROTECTION PLATE FRONT - OQ90 CUTOUT 2.0	1	EA
18	OQE06152	PROTECTION PLATE FRONT - OQ90 SOLID 2.0	1	EA
19	OQE06153	PROTECTION PLATE REAR - OQ90 SOLID 2.0	1	EA

## 2.0 - HYDRAULIC COMPONENTS

### 2.1 - COUPLING 3/8", 1/2", 3/4", & 1"



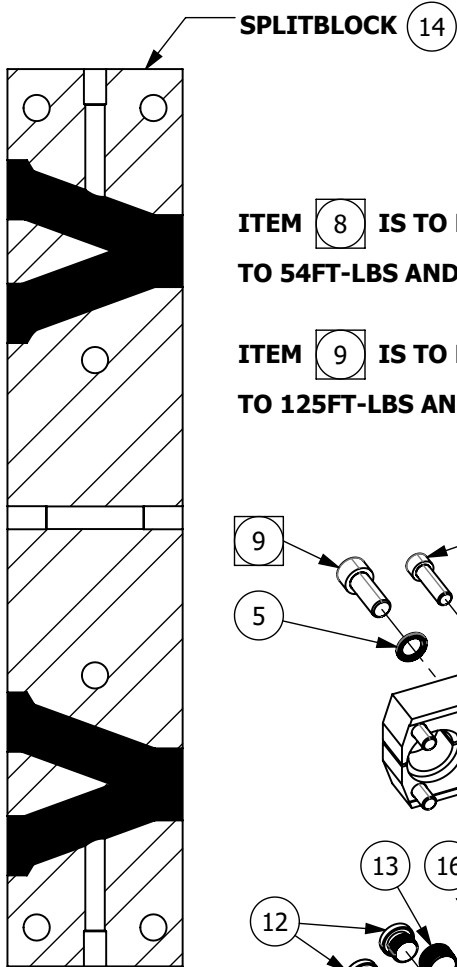
ITEM	PN#	NAME	QTY	UOM
1	40-00318	O-RING-219 TRELLEBORG -16FL61/62 (BLUE)	1	EA
2	40-00499	FTG-HYD 16MO LOCKNUT	2	EA
3	40-00500	FTG-HYD 12MO LOCKNUT	2	EA
4	40-00501	FTG-HYD 08MO LOCKNUT	2	EA
5	40-00502	FTG-HYD 06MO LOCKNUT	2	EA
6	OQ4112314	WASHER 1.375 - 2.16 X 0.12 P	2	EA
7	OQ4112315	WASHER 1.188 - 1.88 X 0.12 P	2	EA
8	OQ4112316	WASHER 0.750 - 1.49 X 0.12 P	2	EA
9	OQ4112658	WASHER 1"	1	EA
10	OQ4112659	WASHER 3/4"	1	EA
11	OQ4112660	WASHER 1/2"	1	EA
12	OQ4112667	POLY ADAPTER 1/2"	1	EA
13	OQ4112668	POLY ADAPTER 1/2" OQ70-90	1	EA
14	OQ4112669	POLY ADAPTER 3/4"	1	EA
15	OQ4112670	POLY ADAPTER 3/4" OQ70-90	1	EA
16	OQ4112671	POLY ADAPTER 1"	1	EA
17	OQ4112672	POLY ADAPTER 1" OQ70-90	1	EA
18	OQ4113605	BULKHEAD 1/2" SHORT OQ70/55 OQ80	1	EA
19	OQ4113606	BULKHEAD 3/4" SHORT OQ70/55 OQ80	1	EA
20	OQ4113607	BULKHEAD 1" SHORT OQ70/55 OQ80	1	EA
21	OQ4114030	WASHER 0.625 X 1.16 - 0.10 Z	2	EA
22	OQ4114173	WASHER 1/4"	1	EA
23	OQ4117998	Bulkhead 1" long OQ90	1	EA
24	OQ4117999	BULKHEAD 3/4" LONG OQ90	1	EA
25	OQ4118000	BULKHEAD 1/2" LONG OQ90	1	EA
26	OQ4118084	POLY ADAPTER 1/4" & 3/8"	1	EA
27	OQ4118750	HYDRAULIC COUPLING 3/8", MALE	2	EA
28	OQ4118759	BULKHEAD 3/8"	1	EA
29	OQ4118760	BULKHEAD 3/8" LONG MALE	1	EA
30	OQ5112080	COUPLING KIT 1/2" OQ70-90 NO BLOCK	2	EA

ITEM	PN#	NAME	QTY	UOM
31	OQ5112081	COUPLING KIT 3/4" OQ70-90 NO BLOCK	2	EA
32	OQ5112082	COUPLING KIT 1" OQ70-90 NO BLOCK	2	EA
33	OQ5113014	POLY ADAPTER 1/4" & 3/8" OQ90	1	EA
34	OQ5113015	COUPLING KIT 1" OQ90 LONG	1	EA
35	OQ5113016	COUPLING KIT 3/4" OQ90 LONG	1	EA
36	OQ5113017	COUPLING KIT 1/2" OQ90 LONG	1	EA
37	OQ5113019	COUPLING KIT 3/8" SHORT OQ90	1	EA
38	OQ5113020	COUPLING KIT 3/8" OQ90 LONG	1	EA
39	OQ7060108	HH CS M8 - 1.25 X 30	1	EA
40	OQ7060118	HH CS M10 - 1.50 X 16	3	EA
41	OQ7150215	HYDRAULIC HOSE 1/2" L=570	1	EA
42	OQ7150216	HYDRAULIC HOSE/PIPE 1" OQ90	1	EA
43	OQ7150266	HYDRAULIC HOSE 3/4" L=590	1	EA
44	OQ7160012	O-RING 14X2 72NBR	2	EA
45	OQ7160031	RUBBER RING 22x4	1	EA
46	OQ7160032	RUBBER RING 30x4	1	EA
47	OQ7160042	O-RING 24x5 NBR70	6	EA
48	OQ7160043	O-RING 34x5 NBR 70	7	EA
49	OQ7160044	O-RING 40x5 NBR 70	6	EA
50	OQ7160045	O-ring 12,42x1,78 NBR90	2	EA
51	OQ7160046	O-RING-018 -12MO (18,77x1,78) NBR 90D	2	EA
52	OQ7160047	O-ring 23,52x1,78 NBR90	2	EA
53	OQ7160048	O-ring 17,6x2,62 NBR70	2	EA
54	OQ7160049	O-RING 23,47x2,62 NBR70	2	EA
55	OQ7160050	O-ring 28,17x3,52 NBR70	2	EA
56	OQ7160077	20x4 NBR 70	6	EA
57	OQ7160078	9,25x1,78 NBR 70	2	EA
58	OQ7160079	O-RING 13x4 NBR70	1	EA
59	OQ7206017	HYDRAULIC COUPLING 1/2", MALE	2	EA
60	OQ7206019	HYDRAULIC COUPLING 3/4", MALE	2	EA
61	OQ7206021	HYDRAULIC COUPLING 1", MALE	2	EA



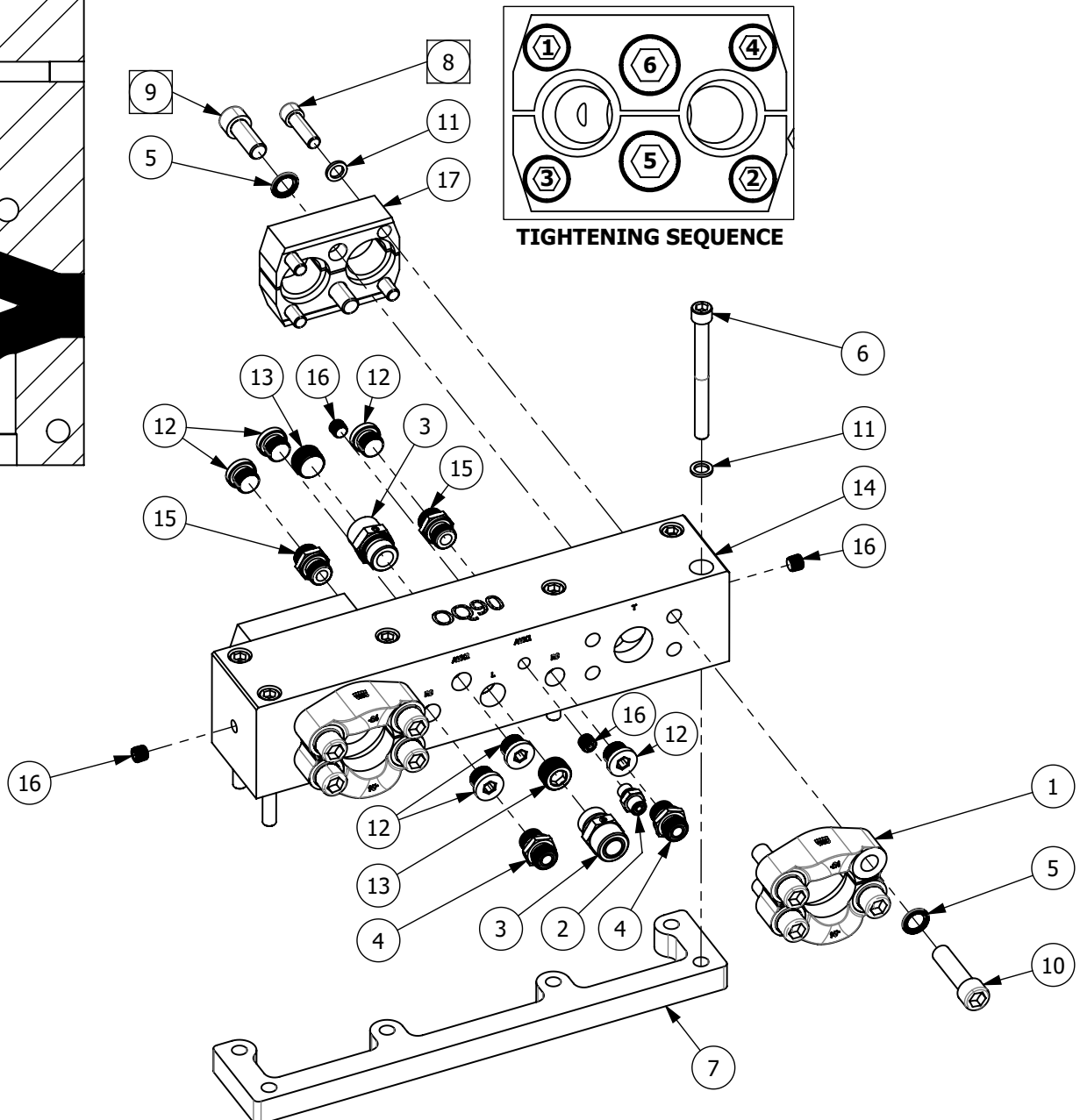
## 2.0 - HYDRAULIC COMPONENTS

### 2.2 - SPLITBLOCK



ITEM **8** IS TO BE INSTALLED DRY WITH INITIAL TORQUE TO 54FT-LBS AND FINAL TORQUE TO 68FT-LBS

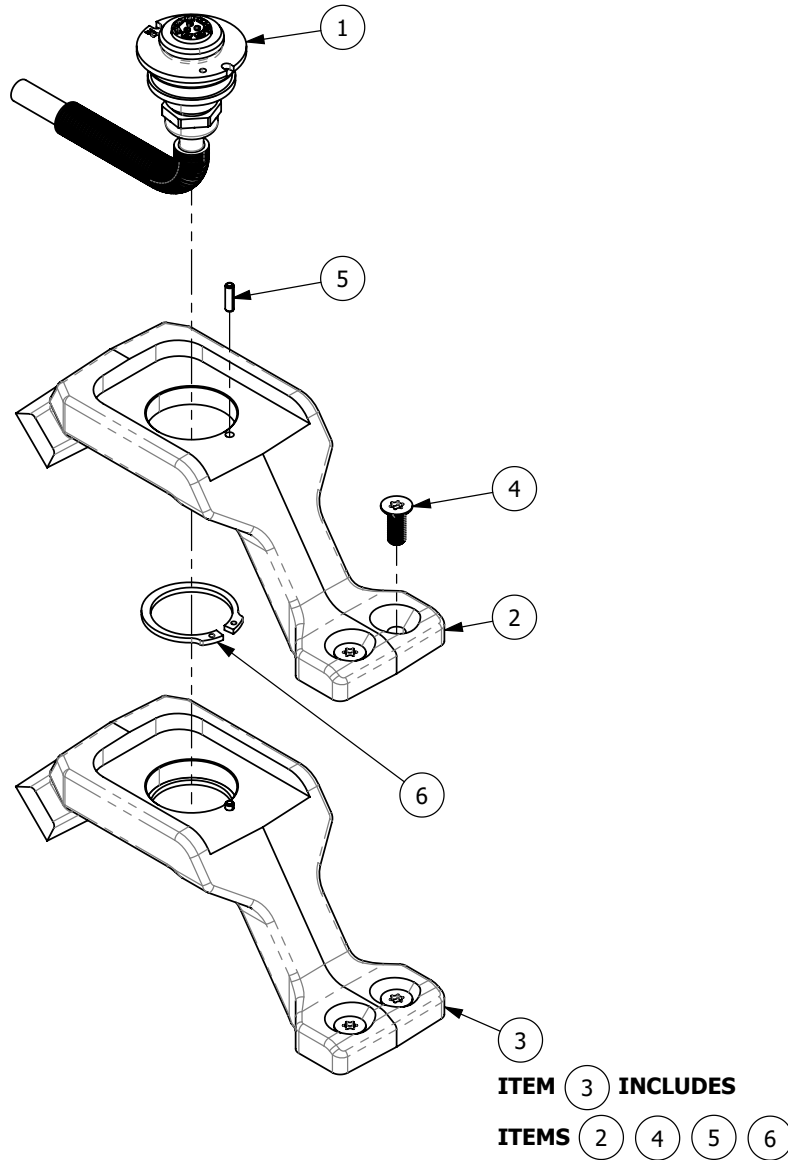
ITEM **9** IS TO BE INSTALLED DRY WITH INITIAL TORQUE TO 125FT-LBS AND FINAL TORQUE TO 155FT-LBS



ITEM	PN#	NAME	QTY	UOM
1	40-00031	SPLIT FLANGE -24FL62	4	EA
2	40-00589	FTG-HYD 04MG-G-04MO	1	EA
3	40-01473	FTG-HYD 12G-E-12MO	2	EA
4	40-02101	FTG-HYD 08MG-E-08MO	2	EA
5	50-00734	WASHER NORDLOCK M16 - 25.4 X 3.3 1536	12	EA
6	50-01418	SH CS M12 - 1.75 X 130 Z_12.9	6	EA
7	OQ4138184	SPACER SPLIT BLOCK OQ90 2.0	1	EA
8	OQ7060069	SH CS M12 X 40 Z_12.9	8	EA
9	OQ7060149	SH CS M16 X 40 Z_12.9	4	EA
10	OQ7060159	SH CS M16 X 60	8	EA
11	OQ7072007	WASHER M12 X 19.5 X 2.5 NORDLOCK	14	EA
12	OQ7091009	PLUG - 08 MBSPP -ED	6	EA
13	OQ7091010	Plug G3/4" ED	2	EA
14	OQ7200274	Hydraulic block OQ90 tool adapter	1	EA
15	OQ7200279	Nipple 15L-G1/2" UF	2	EA
16	OQ7200283	Plug G1/4" ED	4	EA
17	OQ7200301	FLANGE HALF OQ90 2X -16FL62	4	EA

## 3.0 - ELECTRICAL COUPLINGS

### 3.1 - V90-10



#### V90-10 PIN DIAGRAM

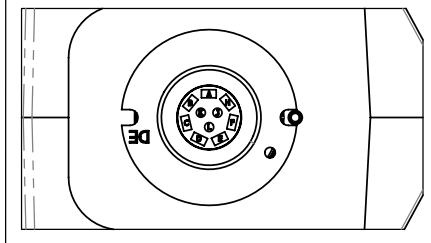
CONTACT CABLE

A	1
B	2
C	3
D	4
E	5
F	6
H	7
J	8
K	9
L	10
	G-G
N.C.	11

UNCONNECTED CABLES MAY BE CUT

N.C. = NOT CONNECTED

G-G = YELLOW / GREEN ALTERNATE 12



**STANDARD V90 COUPLING WITH PIGTAIL HARNESS (LOOSE WIRES) SHOWN. ACTUAL V90 CONFIGURATION MAY VARY.**

ITEM	PN#	NAME	QTY	UOM
1	OQ4125039	ELECTRICAL COUPLING V90-10 MALE Ø50	1	EA
2	OQ4136328	HOLDER V90-10 OQ90	1	EA
3	OQ5113108	V90-10 MOUNTING KIT OQ90 2.0	1	EA
4	OQ7060335	SCREW MFT 8X20 FZB ISO 14581	2	EA
5	OQ7089013	Spring pin FRP 4x14 DIN 1481	1	EA
6	OQ7170054	Circlip AS 40 t=2,5	1	EA







Dealer:



OilQuickAmericas  
155 Main Street  
Superior, WI 54880  
Phone: 262.607.8425  
Fax: 715.395.3703

E-mail: [info@oilquickamericas.com](mailto:info@oilquickamericas.com)  
Web: [www.oilquickamericas.com](http://www.oilquickamericas.com)