

Manufacturer:

OilQuickAmericas
155 Main Street
Superior, WI 54880
Phone: 262.607.8425
Fax: 715.395.3703

E-mail: info@oilquickamericas.com
Web: www.oilquickamericas.com

When ordering spare parts:

- Include the part number, description and desired quantities.
- Include your complete address.
- Specify how the parts are to be delivered.

TABLE OF CONTENTS

OQ 45

1.0 - QUICK COUPLER

1.1 - OQ4122008 - OQ45 COUPLER	4
--------------------------------------	---

2.0 - INSTALL COMPONENTS

2.1 - HOSE CLAMPS	7
2.1.1 - OQE05449 - HOSE CLAMP 1/2"	7
2.1.2 - OQE05455 - HOSE CLAMP 1/2" + 3/8"	8
2.1.3 - OQE05424 - HOSE CLAMP 1/2" + 2 X 3/8"	9
2.2 - OQ5180018 - GUIDE BLOCK MANIFOLD	10

3.0 - LOCK SUPPORT

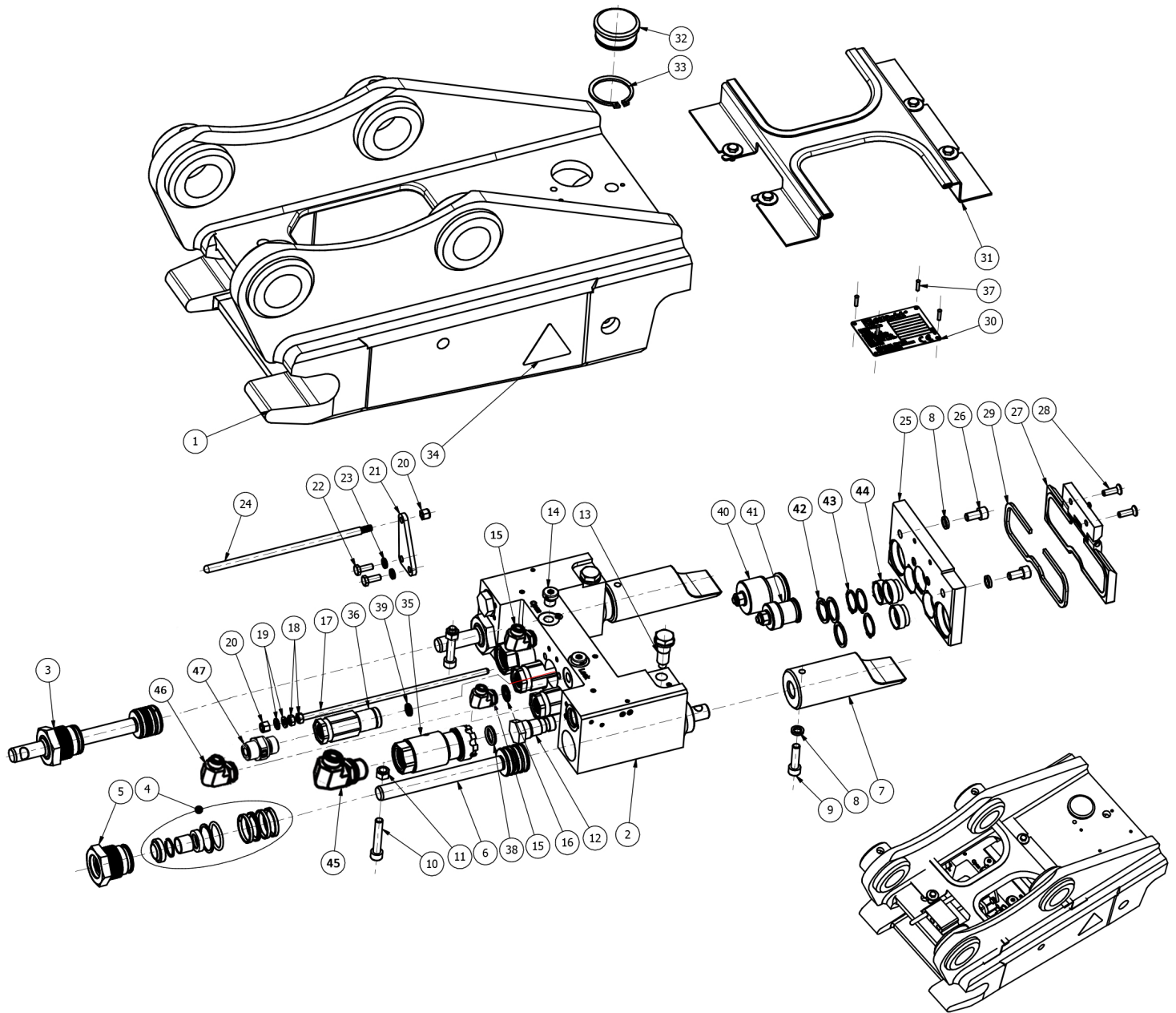
3.1 - OQ5190261 - OQLS 2.0 INSTALLATION KIT	12
3.2 - OQ5190266 - STICK UNIT KIT OQLS 2.0 10M	14
3.3 - OQ5190347 - OQ45 OQLS 2.0 SENSOR KIT	16
3.4 - OQ4129351 - LOCK VALVE	18
3.5 - OQ5119991 - FIRST AID KIT	20

4.0 - ATTACHMENT FRAMES

4.1 - OQ4120599 - D-FRAME	22
4.2 - OQ4122006 - C-FRAME	24
4.3 - OQ4123711 - SPLIT BLOCKS	26
4.4 - OQE05109 - MECHANICAL ATTACHMENT FRAME	29

1.0 - COUPLER

1.1 - OQ4122008 - OQ45 COUPLER



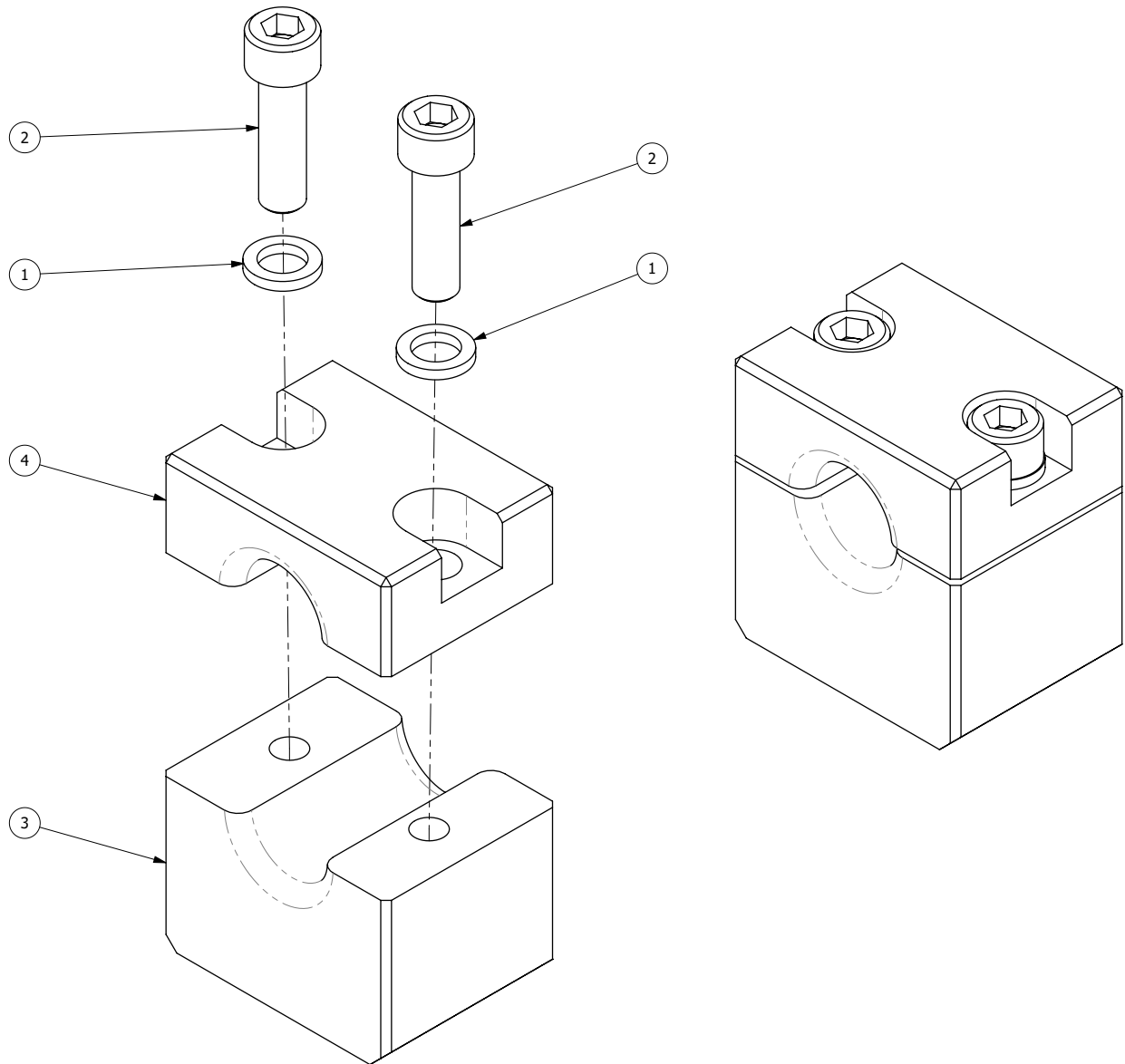
ITEM	PN#	NAME	QTY	UOM
1	OQ411xxxx	QUICK COUPLER BODY	1	EA
2	OQ4119539	H-CYLINDER OQ45-5	1	EA
3	OQ4116129	PISTON ROD H-CYL. OQ45 COMPL.	2	EA
4	OQ7020233	SEAL KIT H-CYL. OQ5	1	EA
5	OQ4116128	GUIDE NUT, PISTON ROD OQ45	2	EA
6	OQ4116127	PISTON ROD H-CYL. OQ45	2	EA
7	OQ4109839	LOCKING PLUNGER OQ45-4/OQ45-5	2	EA
8	OQ7072021	WASHER NORDLOCK M8	4	EA
9	OQ7060067	SCREW MC6S M8 - 1.25 x 30 10.9	2	EA
10	OQ7060102	SCREW MC6S M8 - 1.25 x 45	2	EA
11	OQ7065001	NUT M6M M8 NYLOCK	2	EA
12	OQ7009012	CHECK VALVE 4CK30-I-S3-A9	2	EA
13	OQ7008004	PRESSURE RELIEF VALVE	2	EA
14	OQ7200223	PLUG	2	EA
15	OQ7200210	ELBOW ORFS04 UF-M12x1,5 UF 90° ADJ	2	EA
16	OQ7200120	SEAL WASHER M12	2	EA
17	OQ4110066	OPENING BAR OQ45-OQ60, OQL210	1	EA
18	OQ7065010	NUT M6M M 6 FZB	2	EA
19	OQ7072030	WASHER M6 - 12.0 X 1.5 Z	2	EA
20	OQ7065021	LOCKING NUT M6 NYLOCK	2	EA
21	OQ4119582	INDICATOR BREAKER OQ45-5	1	EA
22	OQ7060082	SCREW M6S M6x14 8.8 FZB	2	EA
23	OQ7072020	WASHER NORDLOCK M6	2	EA
24	OQ4110551	INDICATOR ROD OQ45-OQ60	1	EA
25	OQ4121994	GUIDE PLATE OQ40-5, OQ45-5	1	EA
26	OQ7060098	SCREW MC6S M8 - 1.25 x 16 12.9	2	EA
27	OQ4119542	DIRT GUARD OQ45-5	1	EA
28	OQ7060091	SCREW MF6S M6x20 10.9	2	EA
29	OQ4115211	RUBBER SEAL, DIRT GUARD	1	EA
30	OQE04743	IDENTIFICATION PLATE	1	EA
31	OQ4120025	PROTECTION PLATE KIT OQ45	1	EA
32	OQ4115432	PLUG QUICK COUPLER OQ45-90	1	EA
33	OQ7170038	CIRCLIP AS-45 T=2,5	1	EA
34	OQ7410059	PINCH DECAL	2	EA
35	OQ4118550	HYDRAULIC COUPLING 1/2", FEMALE	2	EA

ITEM	PN#	NAME	QTY	UOM
36	OQ4118780	HYDRAULIC COUPLING 3/8", FEMALE OQ45-5	3	EA
37	OQ7093007	POP RIVET A 3,2x12,5	4	EA
38	OQ7020130	NOSE SEAL 1/2"	2	EA
39	OQ7020270	NOSE SEAL 3/8"	3	EA
40	OQ4121137	POLY ADAPTER 1/2", H-CYLINDER	2	EA
41	OQ4121140	POLY ADAPTER 1/4"+3/8" H-CYL	3	EA
42	OQ4121984	WASHER SUPPORT 0.875 - 1.18 X 0.08 P	3	EA
43	OQ7170026	CIRCLIP SGA 24	3	EA
44	OQ4121997	ADAPTER RING 3/8", GUIDE PLATE	3	EA
45	OQ7200227	ELBOW ORFS08 UF-M22x1,5 UF 90° ADJ	2	EA
46	OQ7200409	ELBOW ORFS06 UF-G3/8" UF 90° ADJ	3	EA
47	40-00516	FTG-HYD 06MBSPP-06MO SEAL-E	1	EA

2.0 - INSTALL COMPONENTS

2.1 - HOSE CLAMPS

2.1.1 - OQE05449 - HOSE CLAMP 1/2"

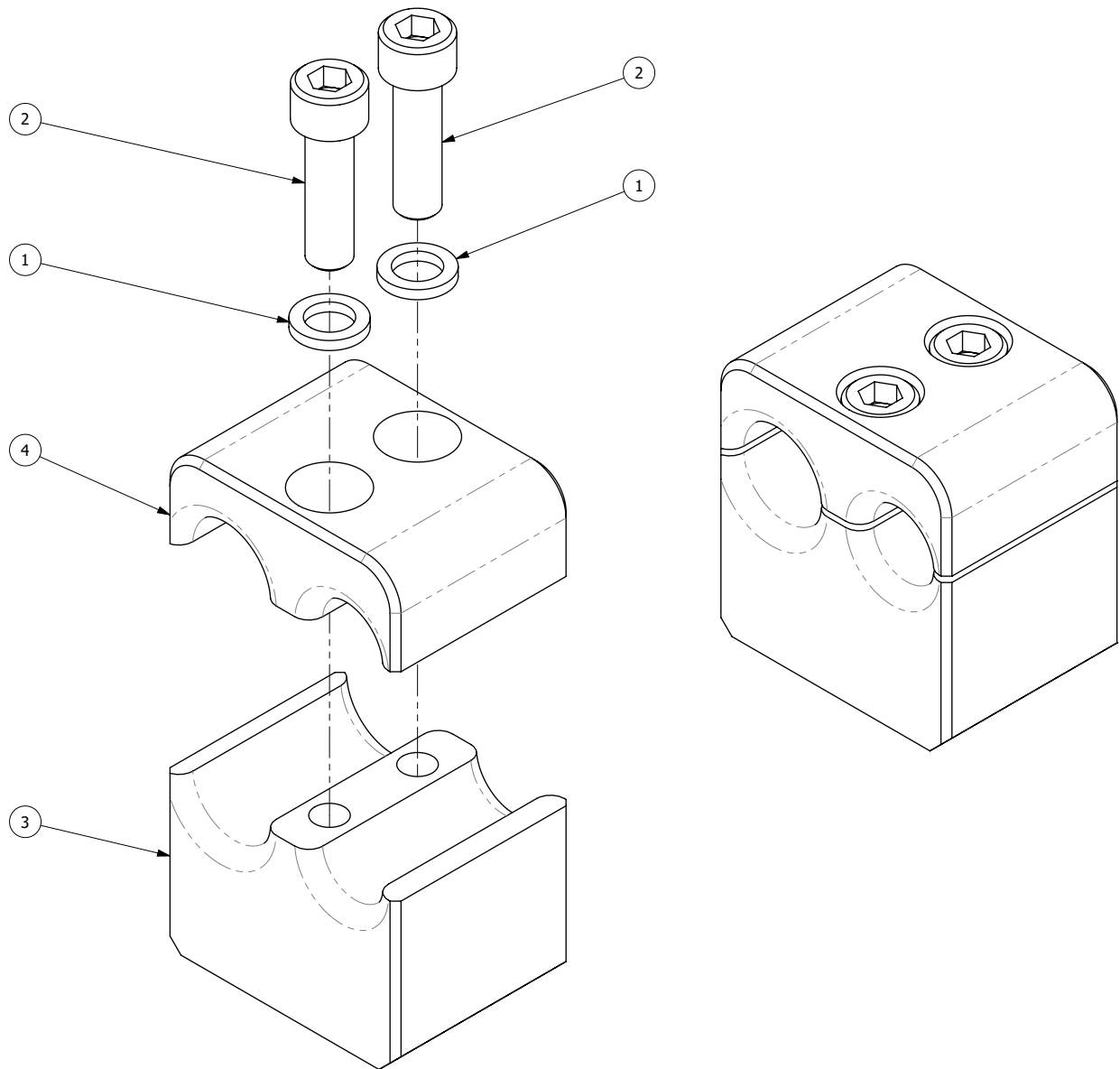


ITEM	PN#	NAME	QTY	UOM
1	50-00682	WASHER NORDLOCK M10 - 16.6 X 2.5 1244	2	EA
2	OQ7060099	SH CS M10 - 1.50 X 35 Z_8.8	2	EA
3	OQE05450	HOSE CLAMP BASE 1/2"	1	EA
4	OQE05451	HOSE CLAMP TOP 1/2"	1	EA

2.0 - INSTALL COMPONENTS

2.1 - HOSE CLAMPS

2.1.2 - OQE05455 - HOSE CLAMP 1/2" + 3/8"

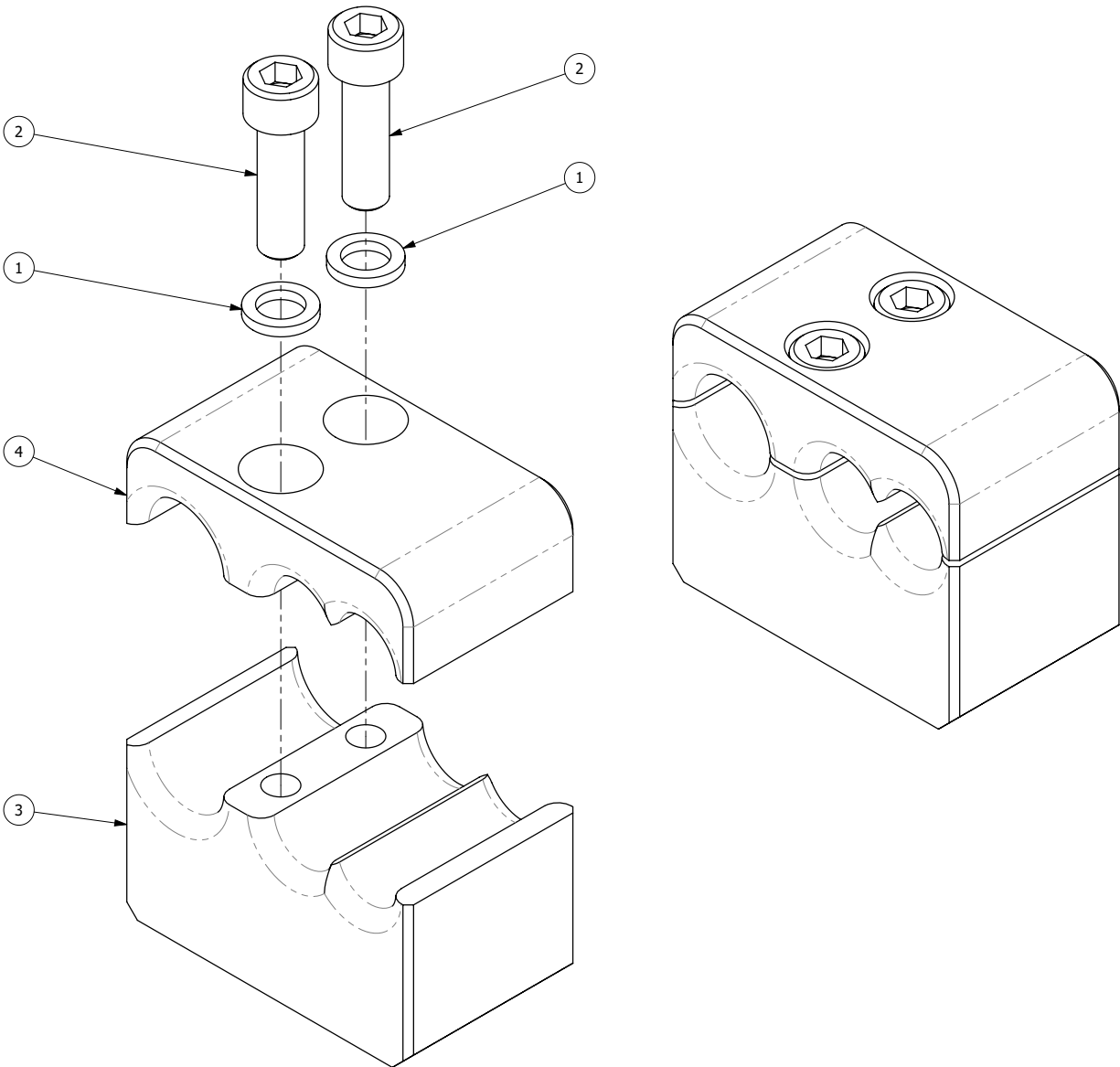


ITEM	PN#	NAME	QTY	UOM
1	50-00682	WASHER NORDLOCK M10 - 16.6 X 2.5 1244	2	EA
2	OQ7060099	SH CS M10 - 1.50 X 35 Z_8.8	2	EA
3	OQE05456	HOSE CLAMP BASE 1/2"+3/8"	1	EA
4	OQE05457	HOSE CLAMP TOP 1/2"+3/8"	1	EA

2.0 - INSTALL COMPONENTS

2.1 - HOSE CLAMPS

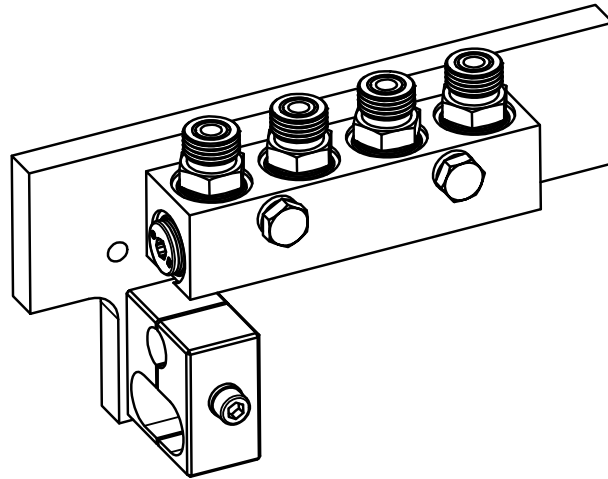
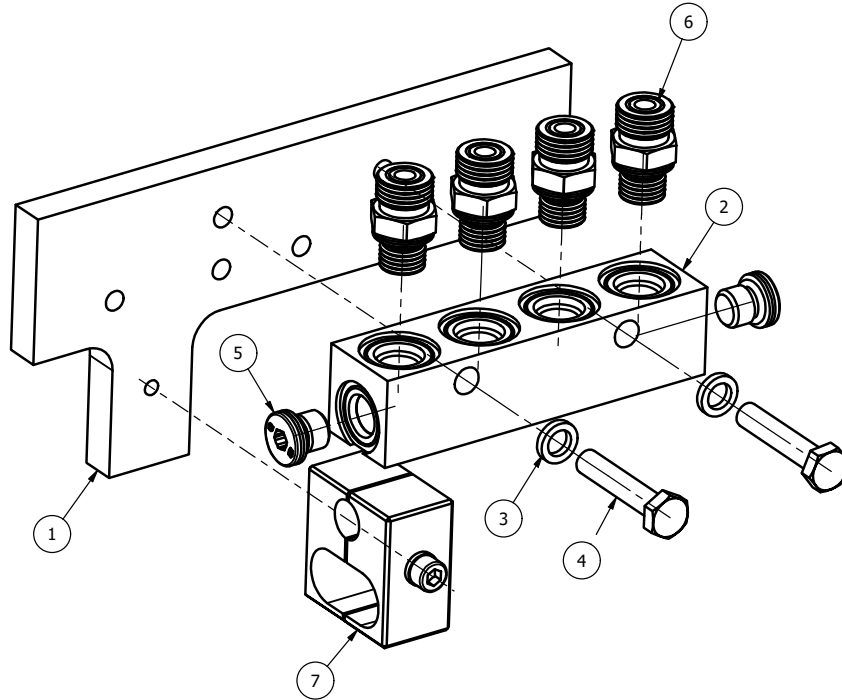
2.1.3 - OQE05424 - HOSE CLAMP 1/2" + 2 X 3/8"



ITEM	PN#	NAME	QTY	UOM
1	50-00682	WASHER NORDLOCK M10 - 16.6 X 2.5 1244	2	EA
2	OQ7060099	SH CS M10 - 1.50 X 35 Z_8.8	2	EA
3	OQE05425	HOSE CLAMP BASE 1/2"+2x3/8"	1	EA
4	OQE05426	HOSE CLAMP TOP 1/2"+2x3/8"	1	EA

2.0 - INSTALL COMPONENTS

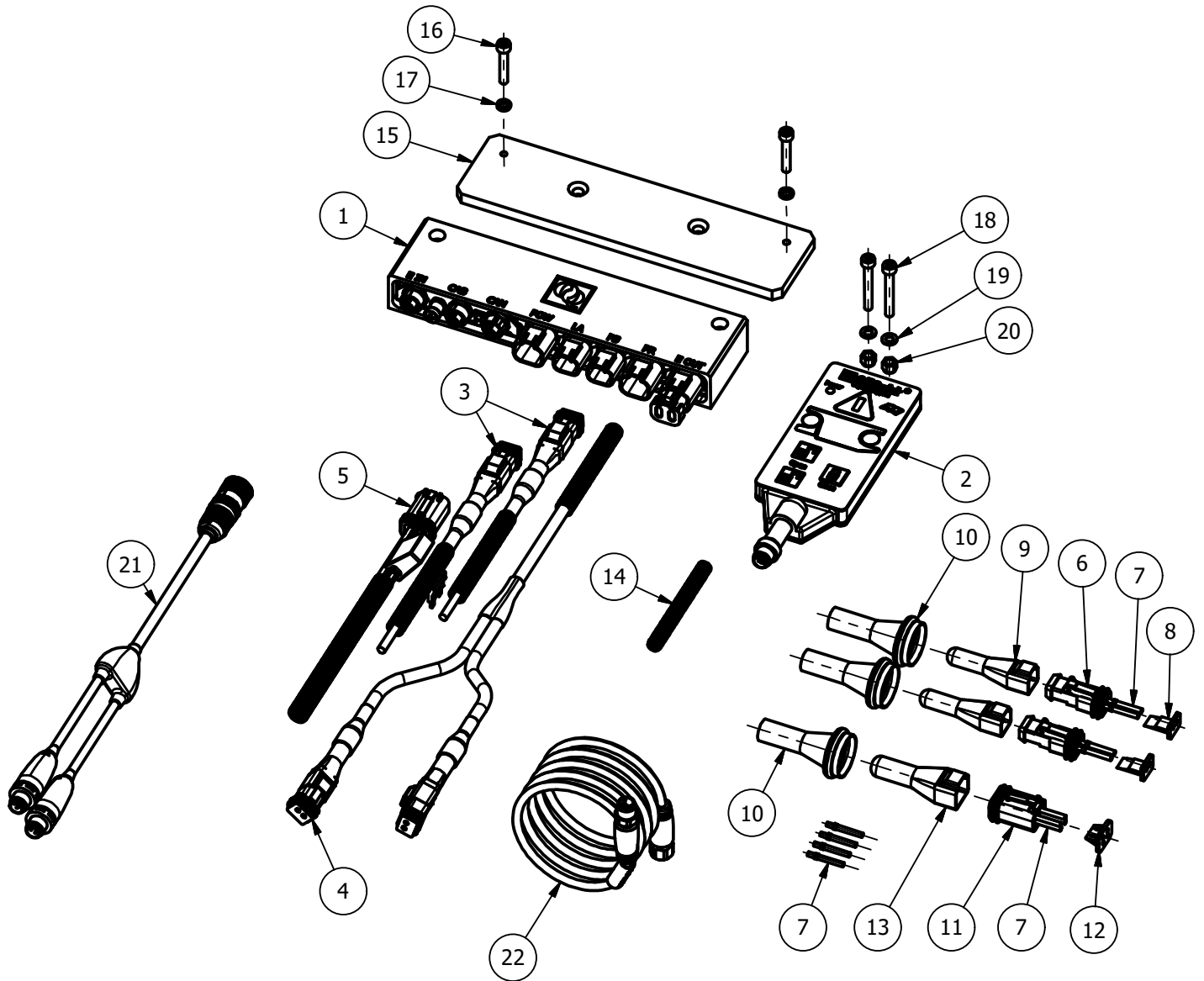
2.2 - OQ5180018 - GUIDE BLOCK MANIFOLD



ITEM	PN#	NAME	QTY	UOM
1	OQ4115481	BRACKET, LOCKING CIRCUIT	1	EA
2	OQ4115477	COUPLING KIT 1/2" OQ70-90 NO BLOCK	1	EA
3	OQ7072021	HYDR. BLOCK, LOCKING FUNCTION	2	EA
4	OQ7060005	SCREW M6S 8X40	2	EA
5	OQ7200208	PLUG VSTI M12X1.5	2	EA
6	OQ7200213	NIPPLE ORFS06 UF-M14x1,5 UF	4	EA
7	OQ5180161	CABLE CLAMP KIT - 13MM + 2X18MM	1	EA

3.0 - LOCK SUPPORT

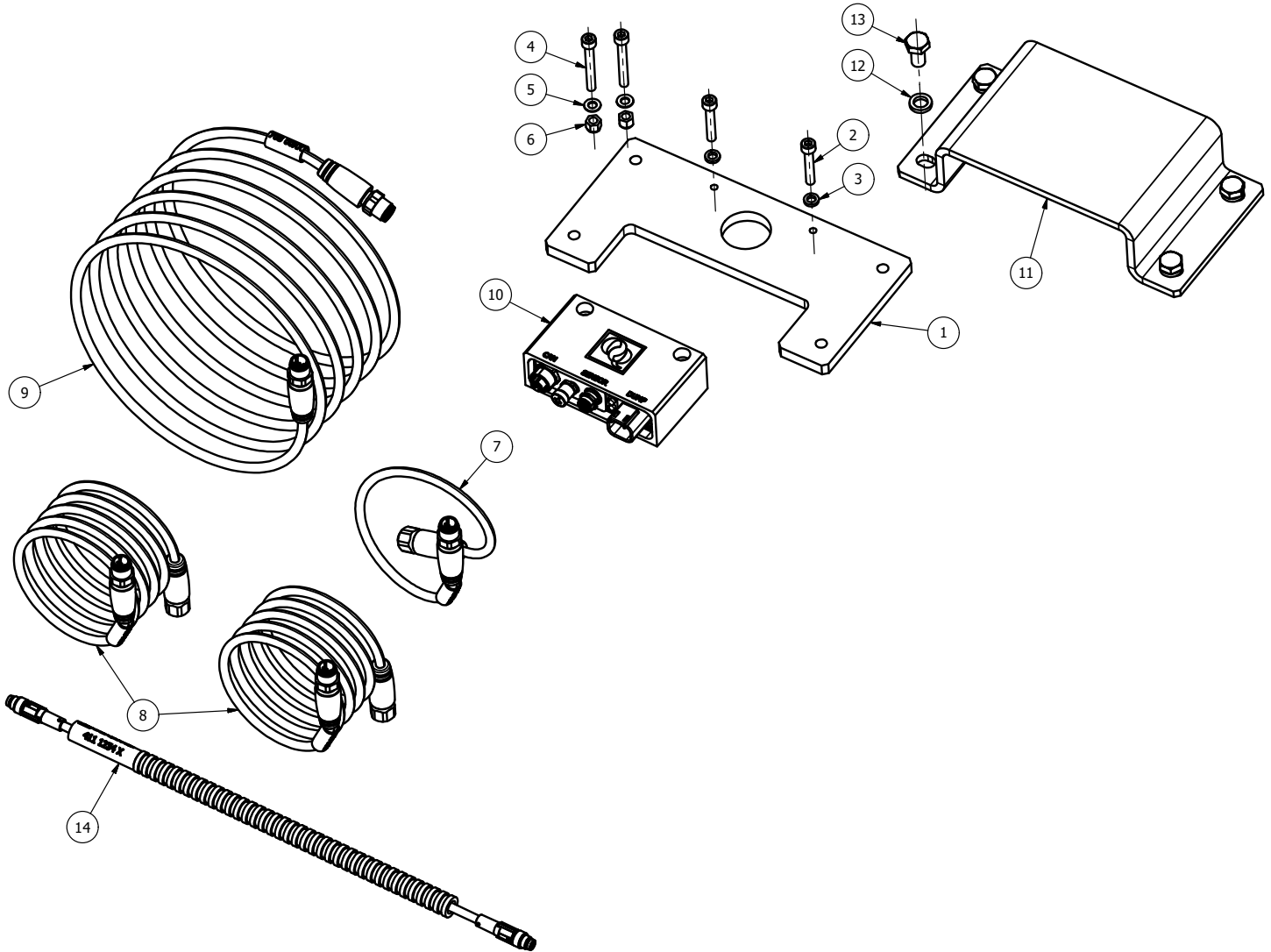
3.1 - OQ5190261 - OQLS 2.0 INSTALLATION KIT



ITEM	PN#	NAME	QTY	UOM
1	OQ4131663	MASTER UNIT - OQLS 2.0 (SINGLE PRESS)	1	EA
2	OQ4126332	OQLS CABIN PANEL GEN 2 (NEW)	1	EA
3	OQ4121394	CABLE SET OQLS (PB/LOCK/PRESSURE)	2	EA
4	OQ4121393	CABLE DEPRESSURIZATION VALVE OQ80	1	EA
5	OQ4123140	CABLE POWER OQLS OQ, TLE	1	EA
6	30-00428	CONNECTOR PLUG DT06-2S-P012	2	EA
7	30-00348	CONNECTOR DEUTSCH SOCKET #16-14	12	EA
8	30-00337	CONNECTOR WEDGE W2S	2	EA
9	OQ7034133	PROTECTIVE HOOD DT2S-BT	2	EA
10	30-00697	1" X 48" BLK ADHESIVE LINED HEAT SHRINK	3	EA
11	30-00332	CONNECTOR PLUG DT06-4S	1	EA
12	30-00338	CONNECTOR WEDGE W4S	2	EA
13	OQ7034131	PROTECTIVE HOOD DT4S-BT	1	EA
14	OQ7034140	SPLIT LOOM	1	EA
15	OQ4124026	MOUNTING PLATE - MASTER UNIT	1	EA
16	OQ7060153	SCREW MC6S M5x30 12.9	2	EA
17	OQ7072033	WASHER NORDLOCK M5 - 9.0 X 1.8	2	EA
18	50-01095	SH CS M5 - 0.8 X 40 Z_12.9	2	EA
19	50-00422	WASHER M5 - 10.0 X 1.0 Z_H	2	EA
20	50-01096	NUT NYLOCK M5 - 0.8 Z_	2	EA
21	OQ7033002	CABLE - OQLS PANEL 6M (19' 6" LG)	1	EA
22	OQ7033073	CABLE - EXTENSION, CAB =2,0M M-F	1	EA

3.0 - LOCK SUPPORT

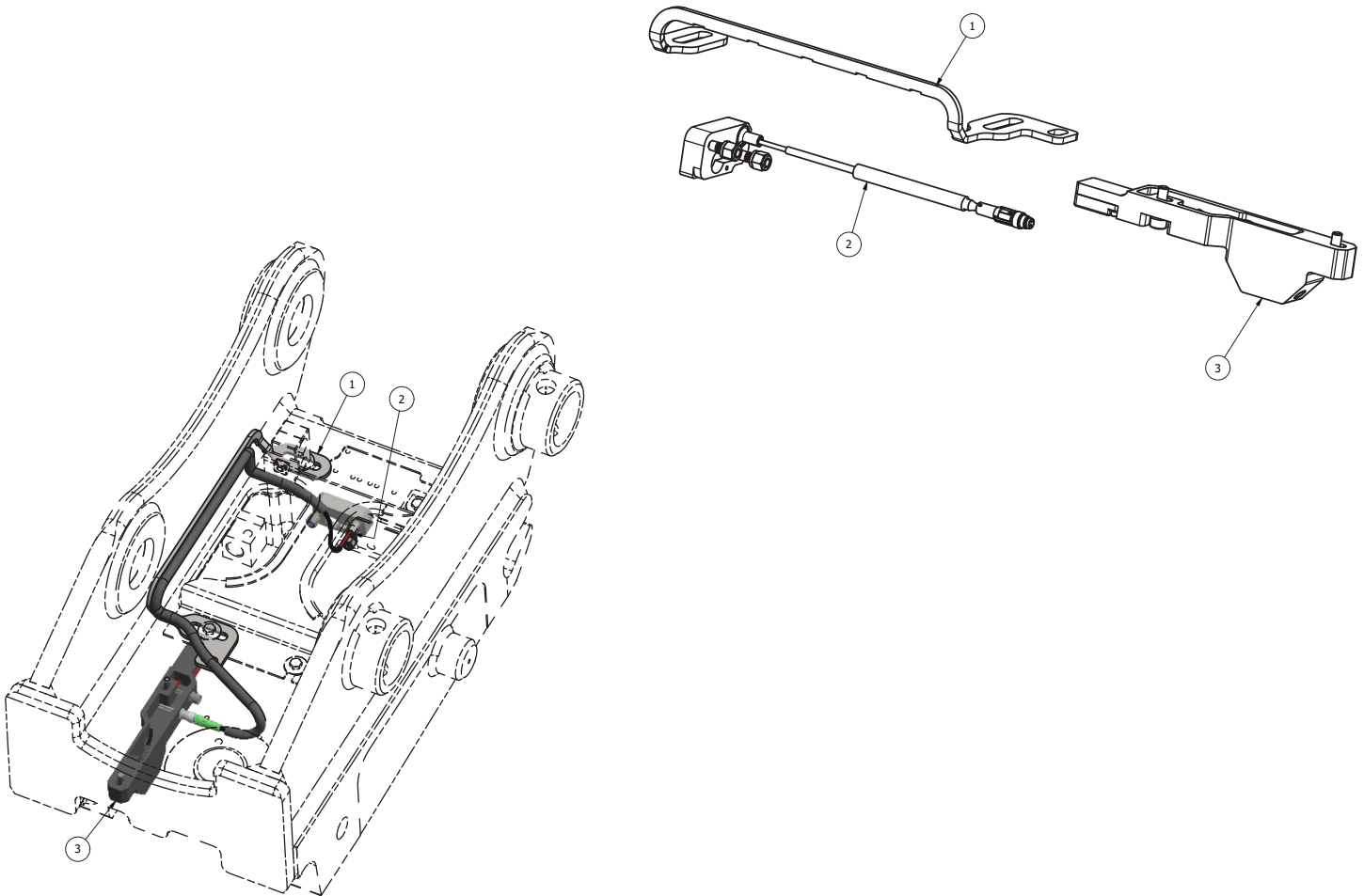
3.2 - OQ5190266 - STICK UNIT KIT OQLS 2.0 10MM



ITEM	PN#	NAME	QTY	UOM
1	OQ4130698	WELD PLATE - STICK UNIT OQLS 2.0	1	EA
2	OQ7060153	SCREW MC6S M5x30 12.9	2	EA
3	OQ7072033	WASHER NORDLOCK M5 - 9.0 X 1.8	2	EA
4	OQ7060100	SCREW MC6 M5x40	2	EA
5	OQ7072031	WASHER M5 - 10.0 Z	2	EA
6	OQ7065018	NUT M6M M5 NYLOCK	2	EA
7	OQ7033068	CABLE - OQLS EXTENSION, BOOM L=0,5M M-F	1	EA
8	OQ7033070	CABLE - OQLS EXTENSION, BOOM L=2,0M M-F	2	EA
9	OQ7033060	CABLE CANBUS 10M (32'8")	1	EA
10	OQ4131384	STICK UNIT - OQLS 2.0	1	EA
11	OQ4130699	PROTECTION COVER - STICK UNIT OQLS 2.0	1	EA
12	OQ7072021	WASHER NORDLOCK M8	4	EA
13	OQ7060004	SCREW M6S M8 - 1.25 x 16 8.8 FZB	4	EA
14	OQ5190231	CABLE - SENSOR OQLS 2.0 3M	1	EA

3.0 - LOCK SUPPORT

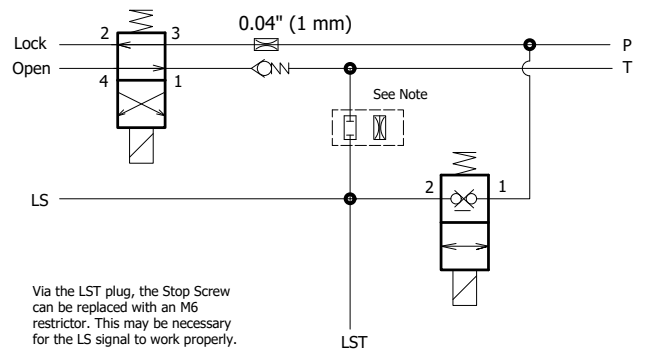
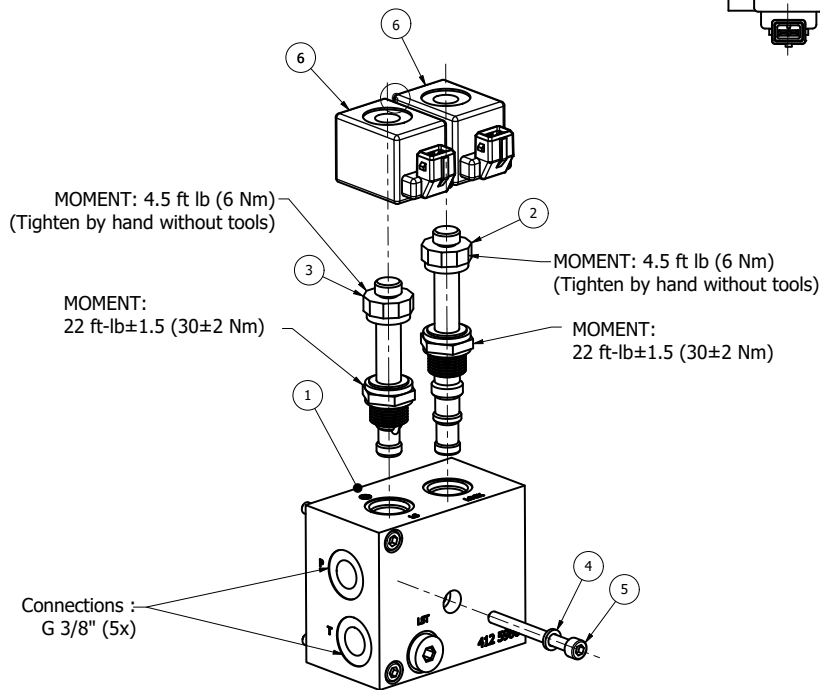
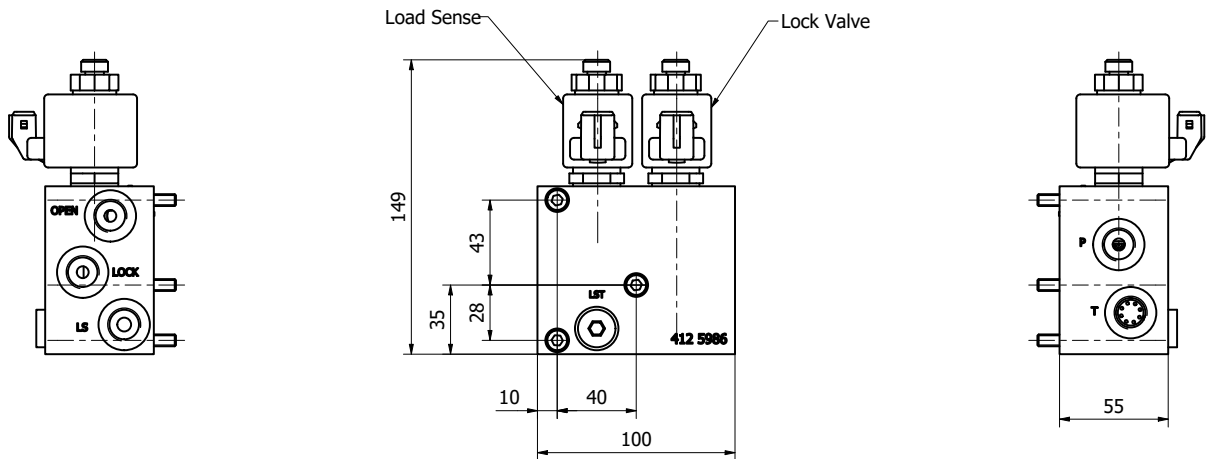
3.3 - OQ5190347 - OQ45 OQLS 2.0 SENSOR KIT



ITEM	PN#	NAME	QTY	UOM
1	OQ4133177	CABLE RAIL - OQLS 2.0 OQ45	1	EA
2	OQ4132028	FRONT SENSOR OQLS 2.0 OQ45	1	EA
3	OQ4131336	REAR SENSOR (CHASSIS) OQLS 2.0 OQ45	1	EA

3.0 - LOCK SUPPORT

3.4 - OQ4129351 - LOCK VALVE



Hydraulic component
Cleanliness requirements according to OQ 600 0109

ITEM	PN#	NAME	QTY	UOM
1	OQ4125986	LOCK - POWERBOOST VALVE BLOCK	1	EA
2	OQ7005053	VALVE CARTRIDGE 6/2 (LOCKING SIDE)	1	EA
3	OQ7005054	VALVE CARTRIDGE 2/2 (POWERBOOST SIDE)	1	EA
4	50-00905	WASHER NORDLOCK M6	3	EA
5	OQ7060088	SCREW MC65 6X60	3	EA
6	OQ7005079	SOLENOID 12V OQLS LOCK VALVE/POWER BOOST	2	EA

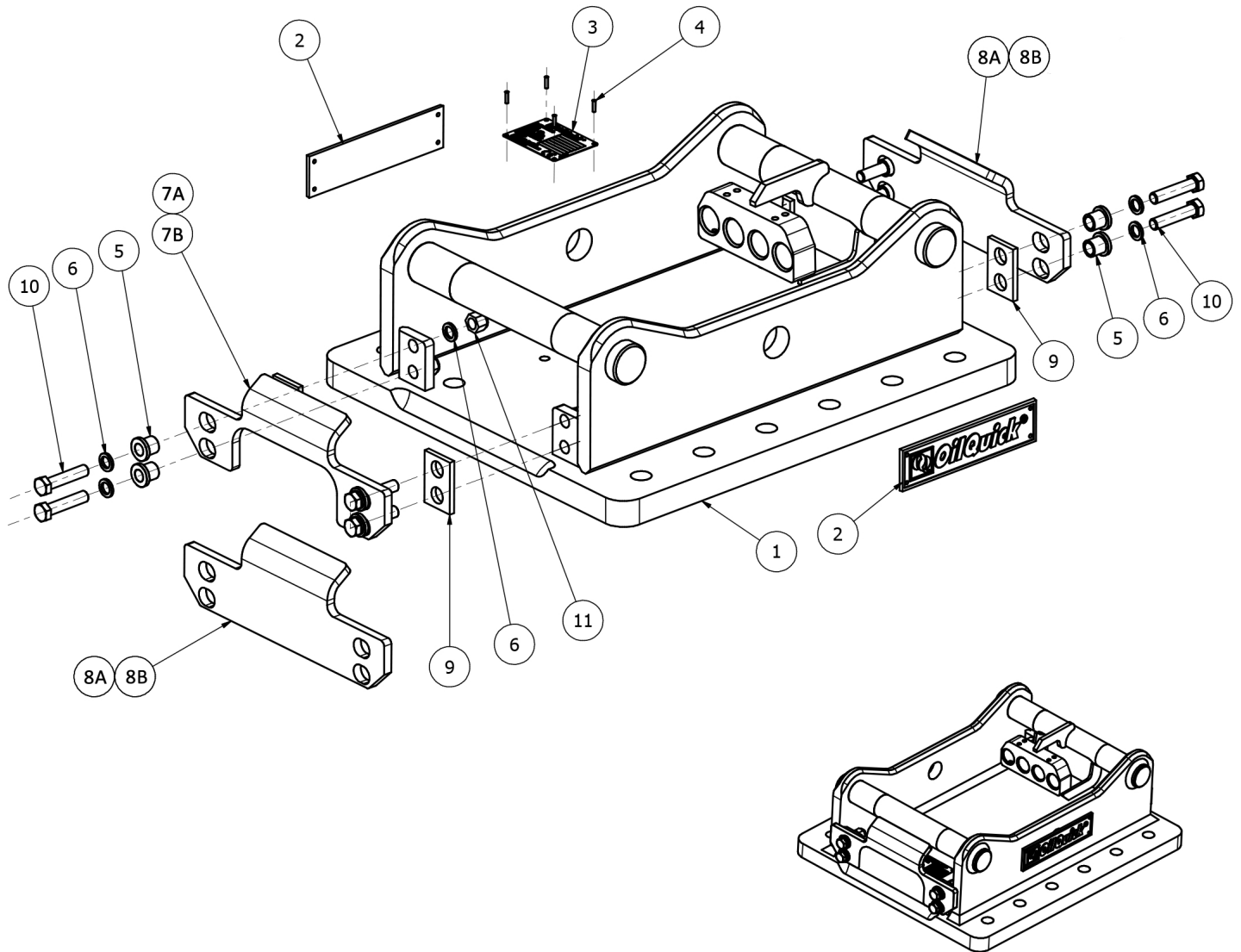
3.0 - LOCK SUPPORT

3.5 - OQ5119991 - FIRST AID KIT

ITEM	PN#	NAME	QTY	UOM
1	OQ7020270	NOSE SEAL 3/8"	4	EA
2	OQ7020130	NOSE SEAL 1/2"	4	EA
3	OQ4118755	PUSHER 3/8"	1	EA
4	OQ4112220	PUSHER 1/2"	1	EA
5	OQ4121990	MOUNTING TOOL 3/8"	1	EA
6	OQ4116298	MOUNTING TOOL 1/2"	1	EA
7	OQ7410094	FIRST AID KIT	1	EA
8	OQ7406065	FIRST AID KIT BOX	1	EA

4.0 - ATTACHMENT FRAME

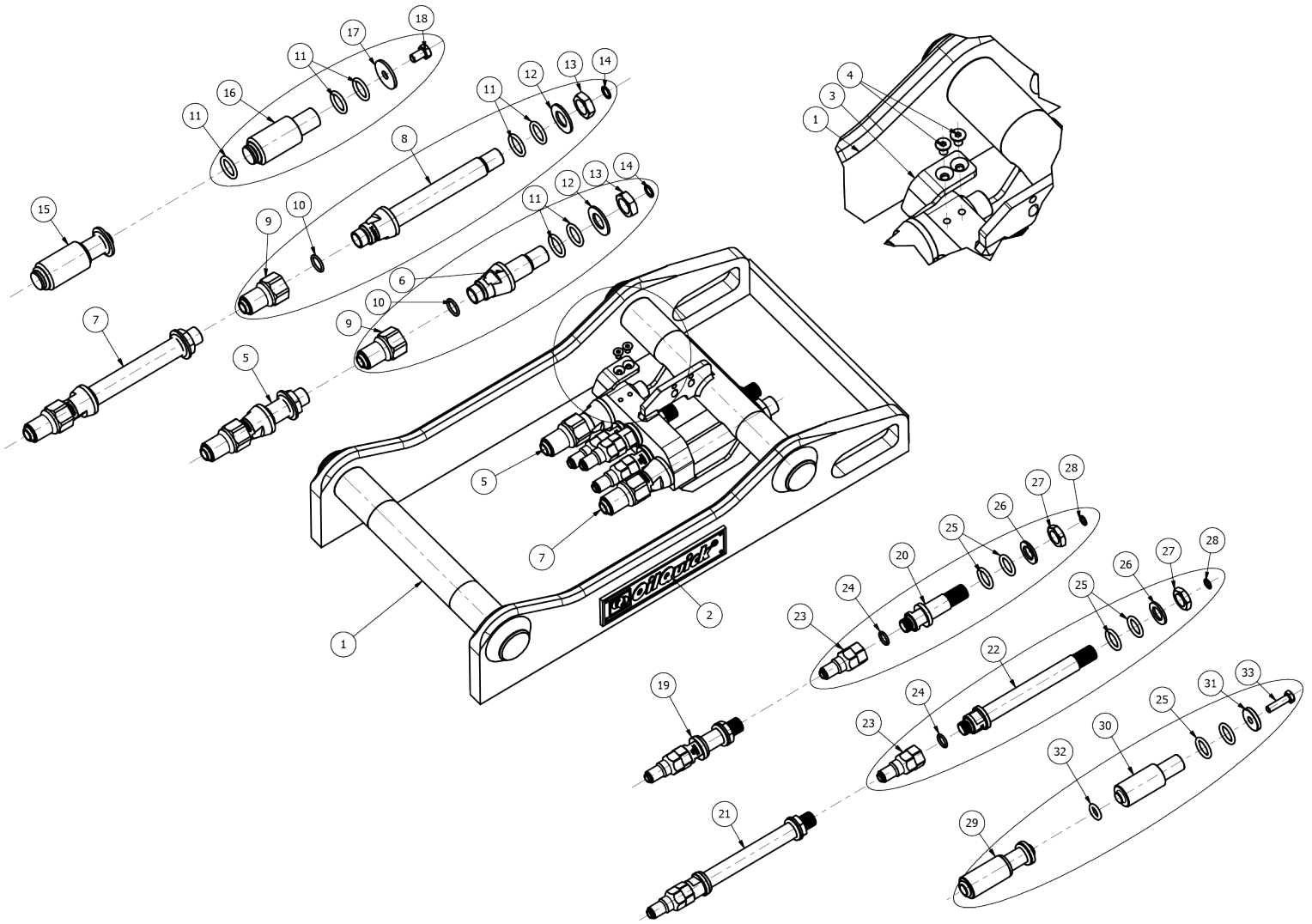
4.1 - OQ4120599 - D-FRAME



ITEM	PN#	NAME	QTY	UOM
1	OQ411xxxx	ATTACHMENT BRACKET	1	EA
2	OQ4116145	EMBLEM - OILQUICK - OQ45-OQ65	2	EA
3	OQ4118161	OILQUICK IDENTIFACTION PLATE SERIAL TAG	1	EA
4	OQ7093007	RIVET POP 3.2 x12.3 ALUMINUM	4	EA
5	OQ4120324	SLEEVE - PROTECTION PLATE TOOL ADAPT	8	EA
6	OQ7072007	WASHER NORDLOCK M12-19.5 X 2.5 1262	16	EA
7A	OQ4120348	PROTECTION PLATE - OQ45 CUTOUT	1	EA
7B	OQE04783	PROTECTION PLATE - OQ45 CUTOUT	1	EA
8A	OQ4120349	PROTECTION PLATE - OQ45 SOLID	2	EA
8B	OQE04784	PROTECTION PLATE - OQ45 SOLID	2	EA
9	OQ4120566	RUBBER SPACER OQ45	4	EA
10	OQ7060217	HH CS M12 x 55 8.8_FZB	8	EA
11	OQ7065005	NUT- M12 NYLOCK	8	EA

4.0 - ATTACHMENT FRAME

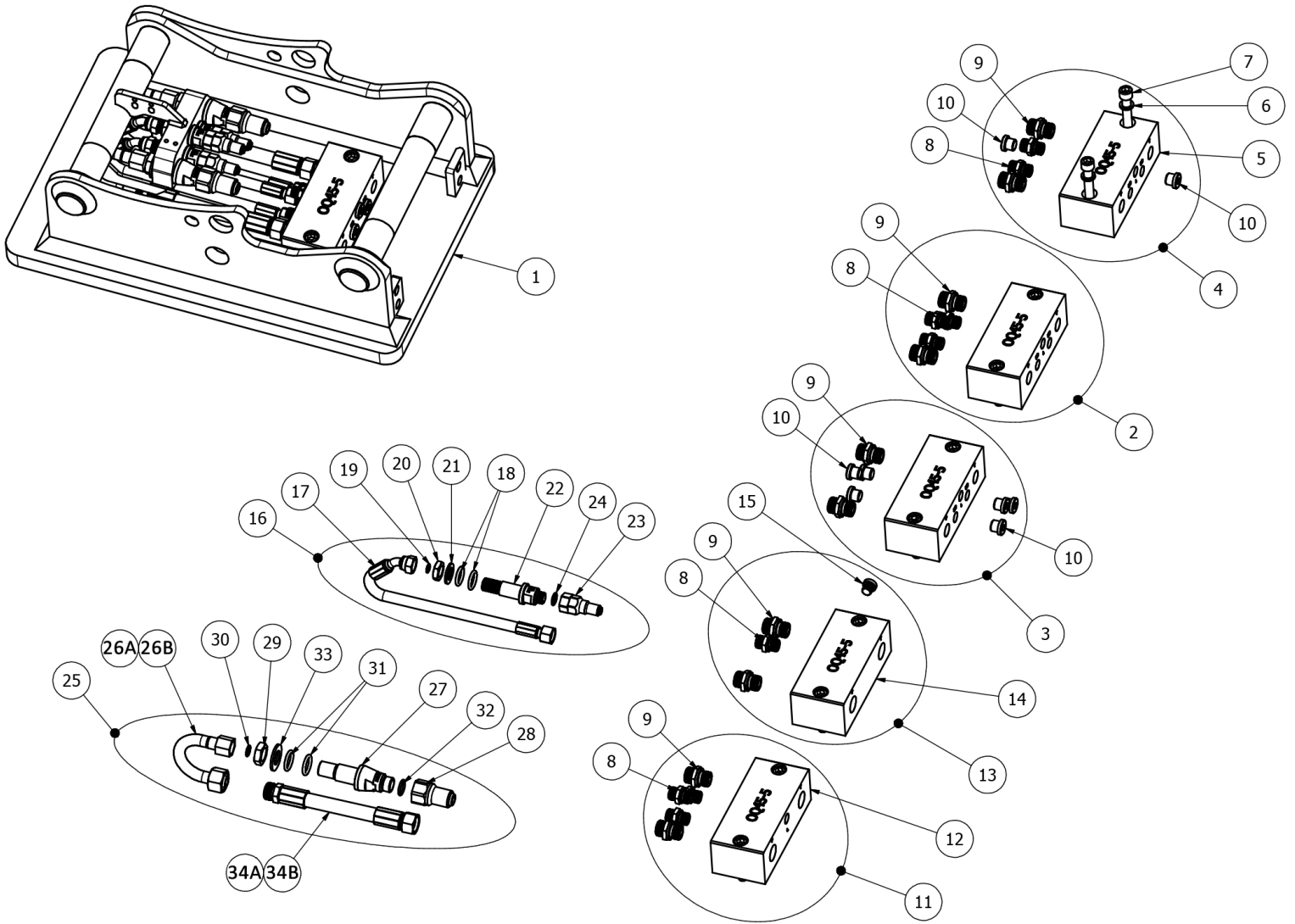
4.2 - OQ4122006 - C-FRAME



ITEM	PN#	NAME	QTY	UOM
1	OQ4119567	ATTACHMENT BRACKET OQ45-5	1	EA
2	OQ4116145	EMBLEM - OILQUICK - OQ45-OQ65	2	EA
3	OQ4119565	DEFLECTOR OQ45-5	1	EA
4	OQ7060145	SCREW MF6S M6x10 10.9 OBH	2	EA
5	OQ4114556	COUPLING KIT 1/2" OQ45-5 NO BLOCK	2	EA
6	OQ4114555	BULKHEAD 1/2" SHORT OQ45-5	2	EA
7	OQ4114558	LOCKING PLUNGER OQ45-4/OQ45-5	2	EA
8	OQ4114557	BULKHEAD 1/2" LONG OQ45-5	2	EA
9	OQ7206017	HYDRAULIC COUPLING 1/2", MALE	2	EA
10	OQ7160048	O-RING 17,6x2,62 NBR70	2	EA
11	OQ7160031	RUBBER RING 22x4	10	EA
12	OQ4112316	WASHER 0.750 - 1.49 X 0.12 P	2	EA
13	40-00501	FTG-HYD 08MO LOCKNUT	2	EA
14	OQ7160045	O-RING-014 -08MO (12,42x1,78) NBR 90D	2	EA
15	OQ4112662	POLY ADAPTER 1/2" OQ45-5	2	EA
16	OQ4112661	POLY ADAPTER 1/2"	2	EA
17	OQ4112660	WASHER 1/2"	2	EA
18	OQ7060118	SCREW	2	EA
19	OQ5109935	COUPLING KIT 3/8" OQ45-5 NO BLOCK	3	EA
20	OQ4119568	BULKHEAD 3/8" SHORT OQ45-5	3	EA
21	OQ5109936	COUPLING KIT 3/8" LONG COMP.	2	EA
22	OQ4119569	BULKHEAD 3/8" LONG OQ45-5	2	EA
23	OQ4118750	HYDRAULIC COUPLING 3/8", MALE	2	EA
24	OQ7160058	O-RING 13.3x2.4 NBR90	3	EA
25	OQ7160077	O-RING 20x4 NBR70	12	EA
26	OQ4114030	WASHER 0.625 X 1.16 - 0.10 Z	3	EA
27	40-00502	FTG-HYD 06MO LOCKNUT	3	EA
28	OQ7160078	O-RING 9,25x1,78 NBR70	3	EA
29	OQ5109916	POLY ADAPTER 1/4" & 3/8" OQ45-5	3	EA
30	OQ4119594	POLY ADAPTER 1/4" & 3/8"	3	EA
31	OQ4114173	WASHER 1/4"	3	EA
32	OQ7160079	O-RING Ø13x4 NBR70	3	EA
33	50-00753	HH CS M8 - 1.25 X 30	3	EA

4.0 - ATTACHMENT FRAME

4.3 - OQ4123711 - SPLIT BLOCKS

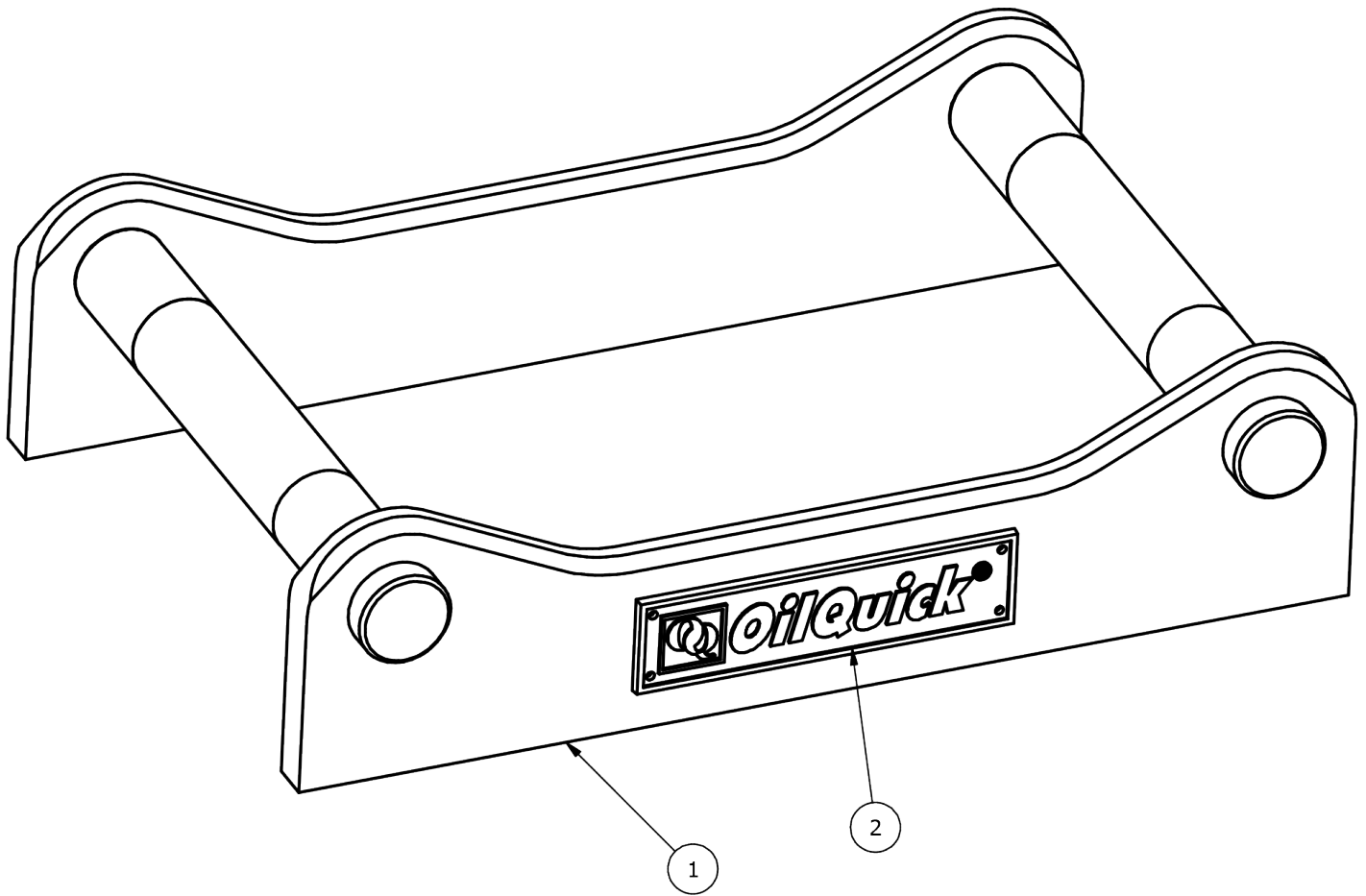


ITEM	PN#	NAME	QTY	UOM
1	OQ412xxxx	QUICK COUPLER BODY	1	EA
2	OQ5109944	HYD.BLOCK KIT 2x1/2", 3x3/8"	1	EA
3	OQ5109945	HYDR.BLOCK KIT 2x1/2"	1	EA
4	OQ5109142	HYDR.BLOCK KIT 2x1/2", 2x3/8", OQ45	1	EA
5	OQ7200465	SPLITBLOCK OQ40-5/OQ45-5	1	EA
6	OQ7072007	WASHER NORDLOCK M12-19.5 X 2.5 1262	2	EA
7	OQ7060051	SCREW MC6S M12x60 12.9	2	EA
8	OQ7200445	NIPPLE 12L-G3/8" UF ED	2	EA
9	OQ7200279	NIPPLE 15L-G1/2" UF	2	EA
10	OQ7060009	PLUG 3/8" ED	2	EA
11	OQ5109942	HYDR.BLOCK KIT 2x1/2", 3x3/8" SPLIT	1	EA
12	OQ7200463	SPLITBLOCK OQ4-5, OQ45-5	1	EA
13	OQ5109943	HYDR.BLOCK KIT 2x1/2", 1x3/8" split	1	EA
14	OQ7200464	SPLITBLOCK OQ40-5, OQ45-5	1	EA
15	OQ7200283	PLUG G1/4" ED	1	EA
16	OQ5109133	COUPLING KIT 3/8" OQ45-5 BLOCK	3	EA
17	OQ7150251	HYDRAULIC HOSE 1/4" L=350 & 3/8"	1	EA
18	OQ7160077	O-RING 20x4 NBR70	2	EA
19	OQ7160078	O-RING 9,25x1,78 NBR70	1	EA
20	OQ7065043	NUT 11/16"-16 UN	1	EA
21	OQ4114030	WASHER 0.625 X 1.16 - 0.10 Z	1	EA
22	OQ4119568	BULKHEAD 3/8" SHORT OQ45-5	1	EA
23	OQ4118750	HYDRAULIC COUPLING 3/8", male	1	EA
24	OQ7160058	O-RING 13.3x2.4 NBR90	1	EA

ITEM	PN#	NAME	QTY	UOM
26A	OQ4118556	PIPE 1/2", OQ45 TOOL ADAPTER	1	EA
26B	OQE02025	TUBE - OQ45 .065 -08FOX -08MO	1	EA
27	OQ4114555	BULKHEAD 1/2" SHORT OQ45-5	1	EA
28	OQ7206017	HYDRAULIC COUPLING 1/2", MALE	1	EA
29	40-00501	FTG-HYD 08MO LOCKNUT	1	EA
30	OQ7160045	O-RING-014 -08MO (12,42x1,78) NBR 90D	1	EA
31	OQ7160031	RUBBER RING 22x4	2	EA
32	OQ7160048	O-RING 17,6x2,62 NBR70	1	EA
33	OQ4112316	WASHER 0.750 - 1.49 X 0.12 P	1	EA
34A	OQ7150338	HYDRAULIC HOSE 1/2" L=222	2	EA
34B	OQE02026	HOSE-HYD 08-08FOX-08FOX	1	EA

4.0 - ATTACHMENT FRAME

4.4 - OQE05109 - MECHANICAL ATTACHMENT FRAME



ITEM	PN#	NAME	QTY	UOM
1	OQE00112	ATTACHMENT BRACKET	1	EA
2	OQ4116145	PLATE OILQUICK	2	EA

Dealer:



OilQuickAmericas
155 Main Street
Superior, WI 54880
Phone: 262.607.8425
Fax: 715.395.3703

E-mail: info@oilquickamericas.com
Web: www.oilquickamericas.com