

Manufacturer:

OilQuickAmericas  
155 Main Street  
Superior, WI 54880  
Phone: 262.607.8425  
Fax: 715.395.3703

E-mail: [info@oilquickamericas.com](mailto:info@oilquickamericas.com)  
Web: [www.oilquickamericas.com](http://www.oilquickamericas.com)

When ordering spare parts:

- Include the part number, description and desired quantities.
- Include your complete address.
- Specify how the parts are to be delivered.



# TABLE OF CONTENTS

## OQ80

### 1.0 - QUICK COUPLER

1.1 - OQ4118787 - OQ80 COUPLER .....	4
1.2 - OQ4119161 - SPLIT BLOCKS FOR H-CYLINDER .....	7

### 2.0 - INSTALL COMPONENTS

2.1 - HOSE CLAMPS .....	8
2.1.1 - OQ4119447 - HOSE CLAMP 1" .....	8
2.1.2 - OQ4119426 - HOSE CLAMP 1" + 1/2" .....	9
2.1.3 - OQ4129702 - HOSE CLAMP 1" + 3/4" .....	10
2.1.4 - OQ4119435 - HOSE CLAMP 1" + 3/4" + 1/2" .....	11
2.1.5 - OQ4124038 - HOSE CLAMP 1" + 2" X 1/2" .....	12
2.1.6 - OQ4119458 - HOSE CLAMP SPACER KIT .....	13
2.2 - Q5110941 - GUIDE BLOCK MANIFOLD .....	14

### 3.0 - LOCK SUPPORT

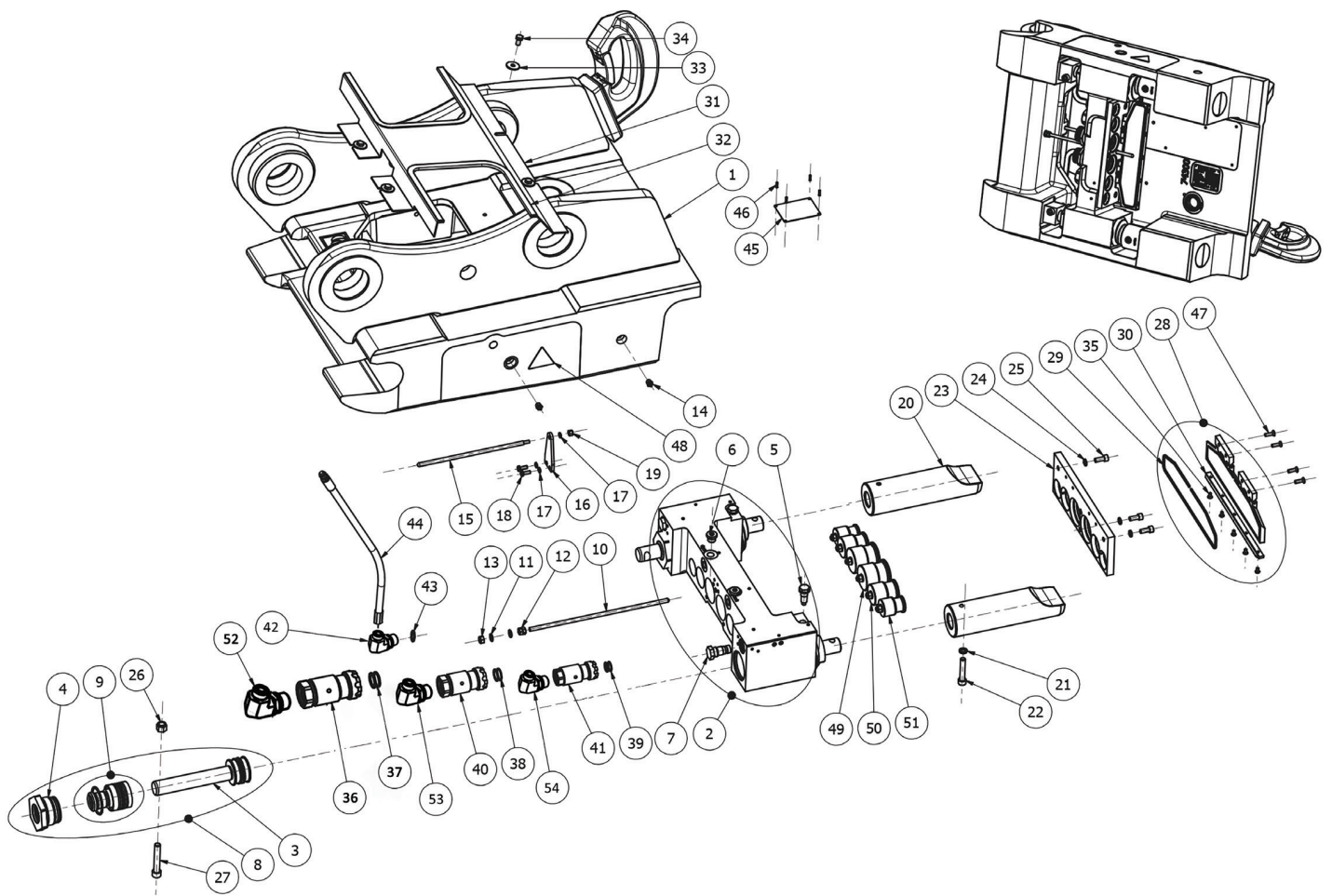
3.1 - OQ5190261 - OQLS 2.0 INSTALLATION KIT .....	16
3.2 - OQ5190268 - STICK UNIT KIT OQLS 2.0 15MM .....	18
3.3 - OQ5190338 - OQ80 OQLS 2.0 SENSOR KIT .....	20
3.4 - OQ4120613 - LOCK VALVE .....	22
3.5 - OQ4123124 - DEPRESSURIZATION VALVE .....	24
3.6 - OQ5116281 - FIRST AID KIT OQ80 .....	25

### 4.0 - ATTACHMENT FRAMES

4.1 - OQ4120603 - D-FRAME .....	26
4.2 - OQ4113943 - C-FRAME .....	28
4.3 - OQ4118439 - SPLIT BLOCKS .....	32
4.4 - OQE04830 - MECHANICAL FRAME .....	35

# 1.0 - COUPLER

## 1.1 - OQ4118787 - OQ80 COUPLER

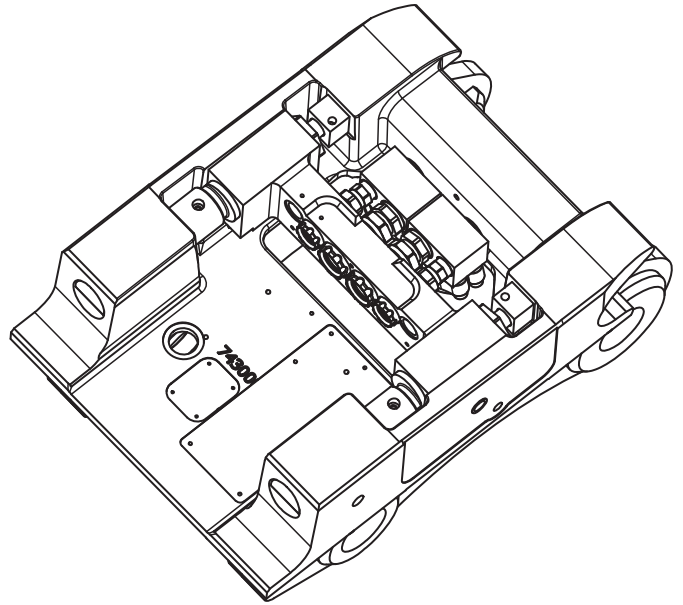
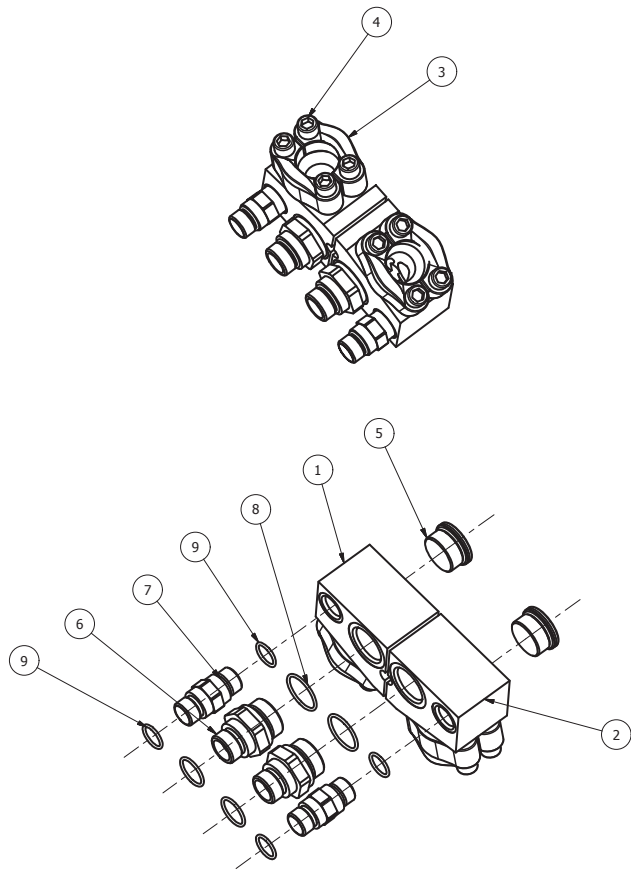


ITEM	PN#	NAME	QTY	UOM
1	-	OQ80 QUICK COUPLER	1	EA
2	OQ4115817	H-CYLINDER OQ70/55-80	1	EA
3	OQ4115808	PISTON ROD OQ70/55-80	2	EA
4	OQ4115264	GUIDE NUT, PISTON ROD OQ70/55-80	2	EA
5	OQ7008004	PRESSURE RELIEF VALVE	2	EA
6	OQ7200224	PLUG VSTI M16x1,5 ED	2	EA
7	OQ7009012	CHECK VALVE 4CK30-I-S3-A9	2	EA
8	OQ4115265	KIT-PISTON ROD H-CYL. OQ70/55-80 COMPL.	2	EA
9	OQ7020230	SEAL KIT H-CYL OQ70/55-80 DOC	1	EA
10	OQ4115783	OPENING BAR OQ80 BULKHEAD 1/2" LONG OQ80	1	EA
11	OQ7072025	WASHER M8 - 16.0 Z	2	EA
12	OQ7065011	NUT M6M M8 FZB	2	EA
13	OQ7065001	NUT M6M M8 NYLOCK	1	EA
14	OQ7205005	GREASE NIPPLE M10x1,5	4	EA
15	OQ4110668	INDICATION BAR OQ70/55-80	1	EA
16	OQ4112611	INDICATOR BRACKET OQ 80	1	EA
17	OQ7072020	WASHER NORDLOCK M6	3	EA
18	OQ7060082	SCREW M6S M6x14 8.8 FZB	2	EA
19	OQ7065021	LOCKING NUT M6 NYLOCK	1	EA
20	OQ4113744	LOCKING PLUNGER OQ80/OQS80	2	EA
21	OQ7072028	WASHER NORDLOCK M10	2	EA
22	OQ7060106	SCREW MC6S M10x55 12.9	2	EA
23	OQ4115362	GUIDE PLATE OQ70/55-80	1	EA
24	OQ7072021	WASHER NORDLOCK M8	3	EA
25	OQ7060079	SCREW MC6S M8 - 1.25 x 20 12.9	3	EA
26	OQ7065005	NUT- M12 NYLOCK	2	EA
27	OQ7060148	SCREW MC6S M12x70 12.9	2	EA
28	OQ4114582	DIRT GUARD OQ70/55-80	1	EA
29	OQ4115211	RUBBER SEAL, DIRT GUARD	1	EA
30	OQ4114420	GUIDE LIP, DIRT GUARD OQ70/55-80	1	EA
31	OQ4131283	GUARD PLATE OQ70/55-80	1	EA
32	OQ7165020	EDGE PROTECTION 550	4	EA
33	OQ7072035	WASHER FNDR M8 - 28.0 Z	4	EA

ITEM	PN#	NAME	QTY	UOM
34	OQ7060004	SCREW M6S M8 - 1.25 x 16 8.8 FZB	4	EA
35	OQ7060136	SCREW MF6S M5x10 10.9	5	EA
36	OQ4118454	HYDRAULIC COUPLING 1" - M33 FEMALE	2	EA
37	OQ7020132	NOSE SEAL 1"	2	EA
38	OQ7020131	NOSE SEAL 3/4"	2	EA
39	OQ7020130	NOSE SEAL 1/2"	2	EA
40	OQ4118524	HYDRAULIC COUPLING 3/4", M27 FEMALE	2	EA
41	OQ4118550	HYDRAULIC COUPLING 1/2", M22 FEMALE	2	EA
42	OQ7200209	ELBOW ORFS06 UF-M16x1,5 UF 90° ADJ	2	EA
43	OQ7200155	SEAL WASHER M16	2	EA
44	OQE04546	HOSE-HYD 04M2TMTF-06FOX-06FOX-43.25CL	2	EA
45	OQ4118161	OILQUICK IDENTIFICATION PLATE SERIAL TAG	1	EA
46	OQ7093007	RIVET POP 3.2 x12.3 ALUMINUM	4	EA
47	OQ7060091	SCREW MF6S M6x20 10.9	4	EA
48	OQ7410059	PINCH DECAL	2	EA
49	OQ4121131	POLY ADAPTER 1", H-CYLINDER	2	EA
50	OQ4121134	POLY ADAPTER 3/4", H-CYLINDER	2	EA
51	OQ4121137	POLY ADAPTER 1/2", H-CYLINDER	2	EA
52	OQ7200229	ELBOW ORFS16 UF-M33X2 UF 90° ADJ	2	EA
53	OQ7200228	ELBOW ORFS12 UF-M27X2 UF 90° ADJ	2	EA
54	OQ7200227	ELBOW ORFS08 UF-M22X1,5 UF 90° ADJ	2	EA

# 1.0 - COUPLER

## 1.2 - OQ4119161 - SPLIT BLOCKS FOR H-CYLINDER

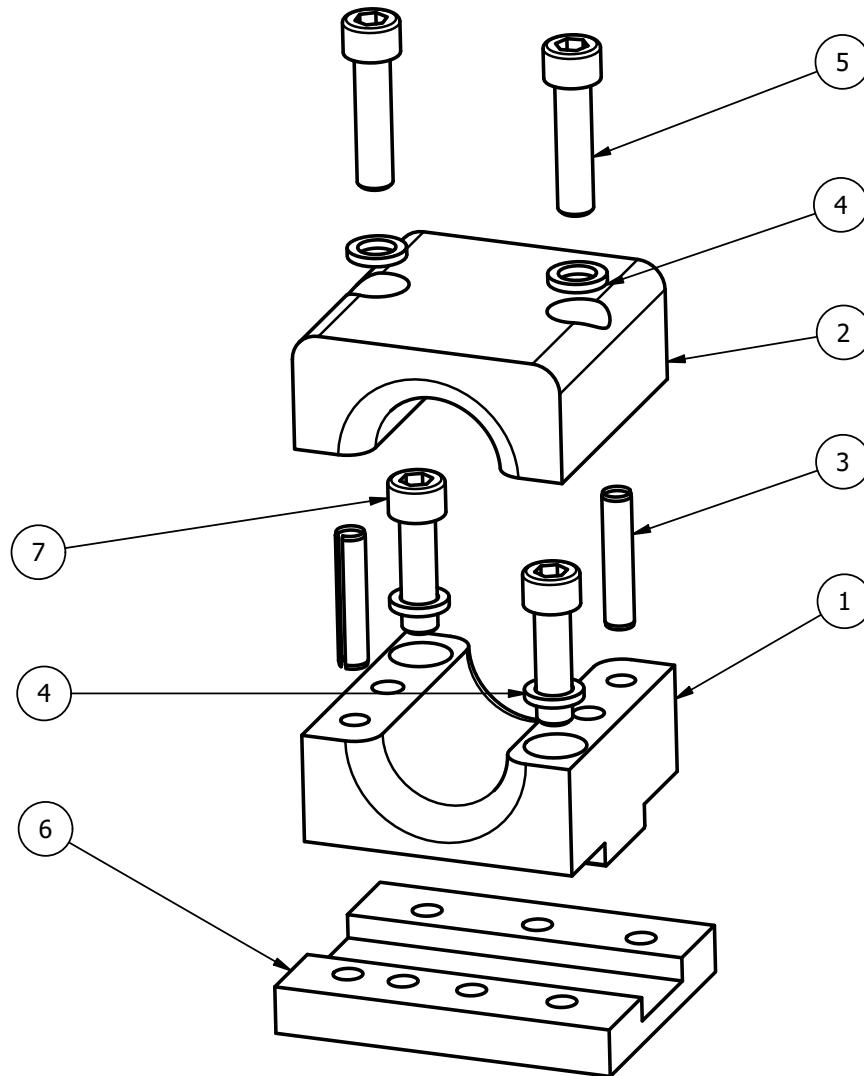


ITEM	PN#	NAME	QTY	UOM
1	OQ4117977	HYDRAULIC BLOCK 15°, OQ80, L	1	EA
2	OQ4117976	HYDRAULIC BLOCK 15°, OQ80, R	1	EA
3	OQ7207006	SAE6 FLANGE 1 1/4"	2	EA
4	OQ7060197	SCREW MC6S M14x50 12.9	8	EA
5	OQ7200239	PLUG VSTI M4x2	2	EA
6	OQ4117973	NIPPLE M33x2-M42x2 (ISO 6149-2)	2	EA
7	OQ4117978	NIPPLE M27x2-M27x2 (ISO 6149-2)	2	EA
8	OQ7160133	O-RING 38,6x2,9 NBR70	2	EA
9	OQ7160126	O-RING 23.6x2.9 NBR70	4	EA
10	OQ7160125	O-RING 29,6x2,9 NBR70	2	EA

## 2.0 - INSTALL COMPONENTS

### 2.1 - HOSE CLAMPS

#### 2.1.1 - OQ4119447 - HOSE CLAMP 1"

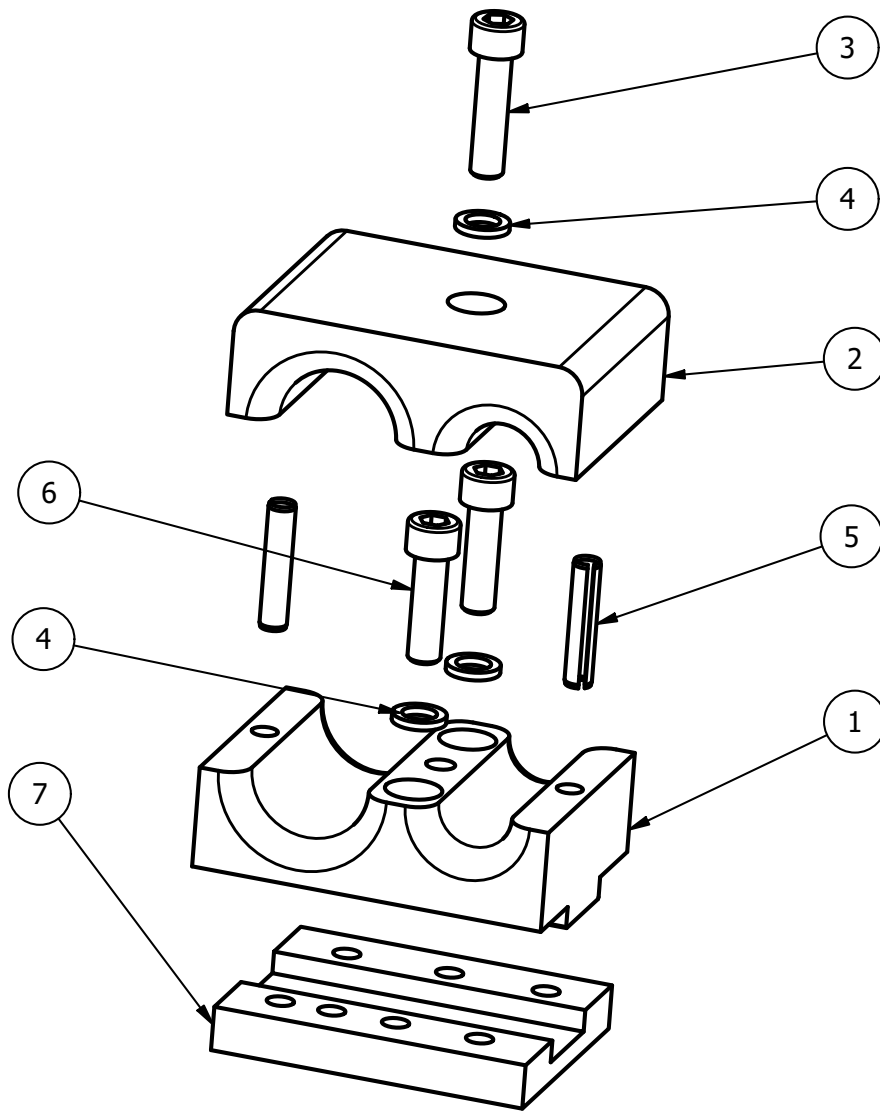


ITEM	PN#	NAME	QTY	UOM
1	OQ4119449	BASE HOSE HOLDER	1	EA
2	OQ4119448	UPPER HOSE HOLDER	1	EA
3	OQ7189026	SPRING PIPE STICK FRP 8X40 DIN 1481	2	EA
4	OQ7072028	LOCK WASHER NORLOCK M10	4	EA
5	OQ7060110	SCREW MC6S 10X40	2	EA
6	OQ4119391	WELDING PLATE	1	EA
7	OQ7060099	SCREW MC6S 10X35	2	EA

## 2.0 - INSTALL COMPONENTS

### 2.1 - HOSE CLAMPS

#### 2.1.2 - OQ4119426 - HOSE CLAMP 1" + 1/2"

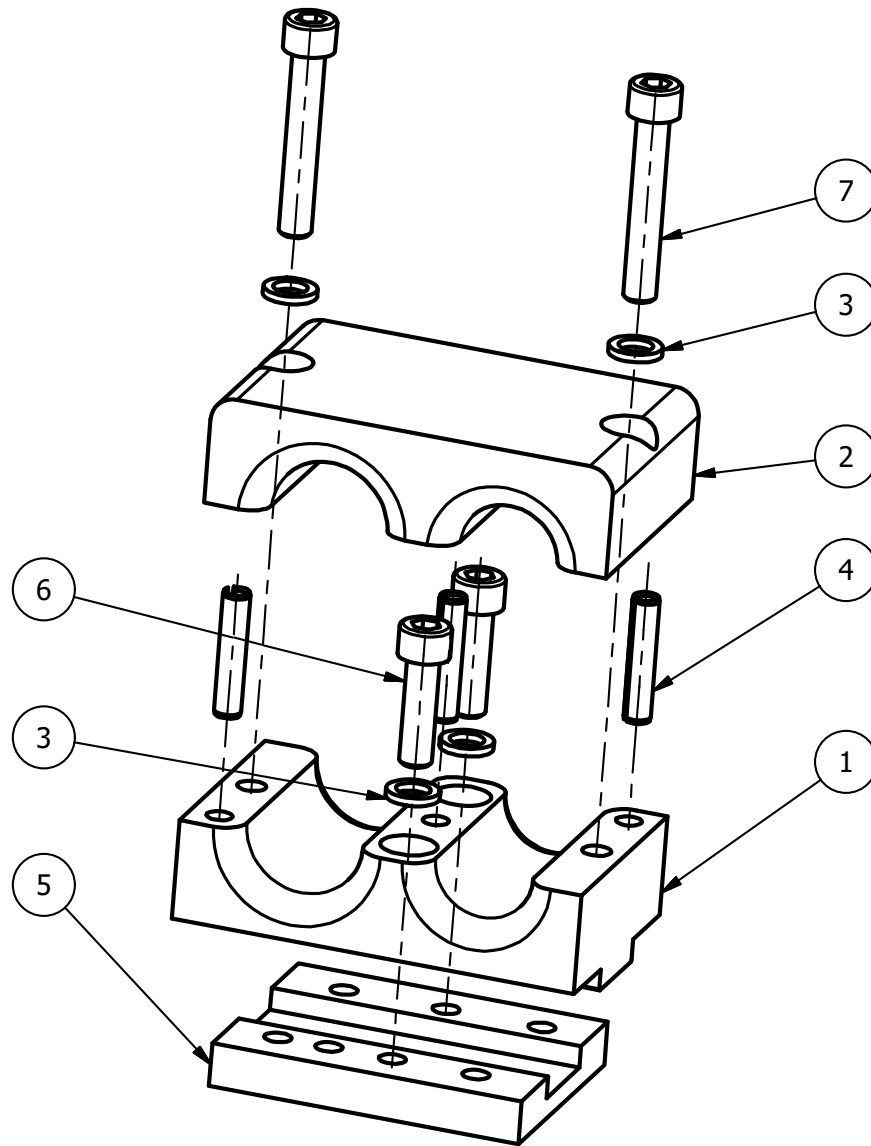


ITEM	PN#	NAME	QTY	UOM
1	OQ4119428	BASE HOSE HOLDER - 1" + 1/2"	1	EA
2	OQ4119427	UPPER HOSE HOLDER - 1" + 1/2"	1	EA
3	OQ7060110	SCREW MC6S 10X40	1	EA
4	OQ7072028	LOCK WASHER NORLOCK M10	3	EA
5	OQ7089026	SPRING PIPE STICK	2	EA
6	OQ7060099	SCREW MC6S 10X35	2	EA
7	OQ4119391	WELDING PLATE	1	EA

## 2.0 - INSTALL COMPONENTS

### 2.1 - HOSE CLAMPS

#### 2.1.3 - OQ4129702 - HOSE CLAMP 1" + 3/4"

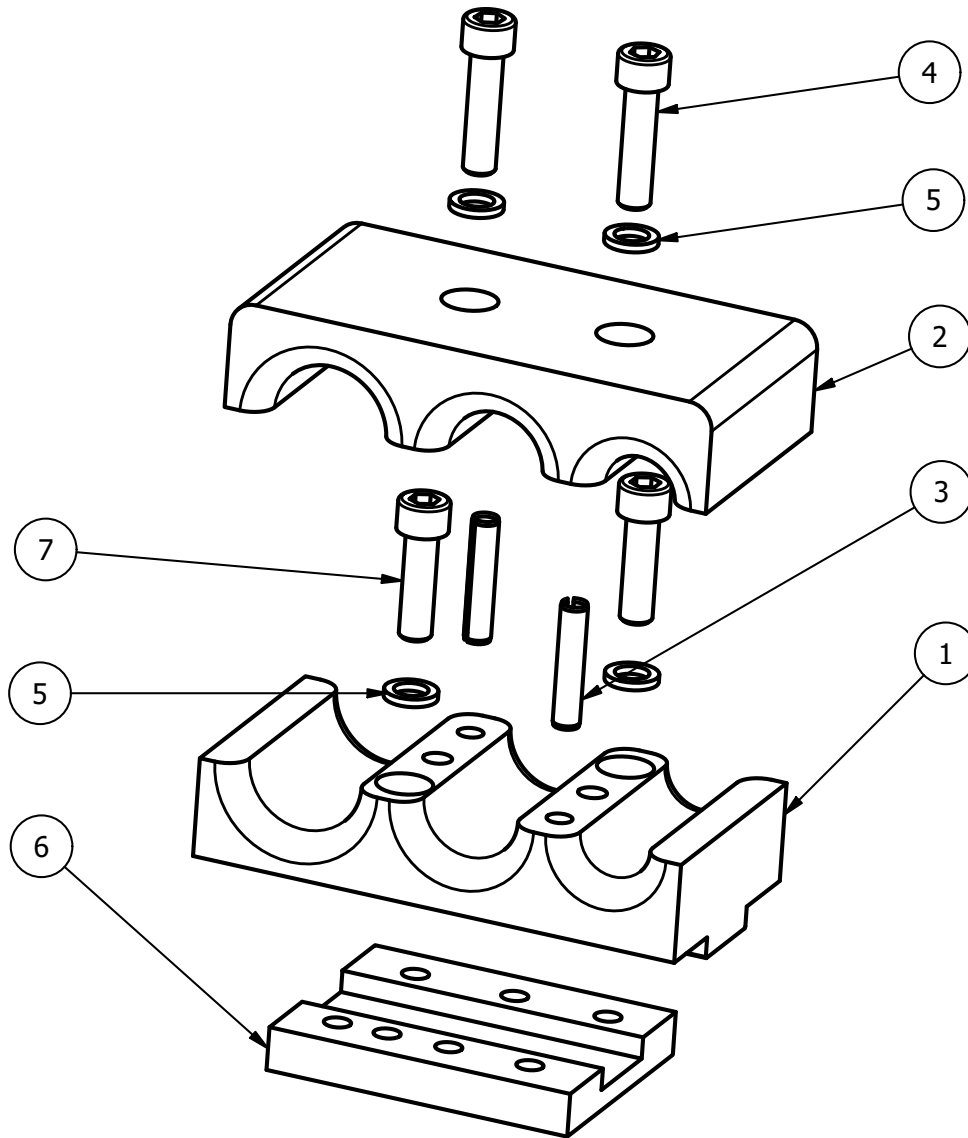


ITEM	PN#	NAME	QTY	UOM
1	OQ4129701	BASE HOSE HOLDER - 1" + 3/4"	1	EA
2	OQ4129700	UPPER HOSE HOLDER - 1" + 3/4"	1	EA
3	OQ7072028	LOCK WASHER NORLOCK M10	4	EA
4	OQ7089026	SPRING PIPE STICK	3	EA
5	OQ4119391	WELDING PLATE	1	EA
6	OQ7060099	SCREW MC6S 10X35	2	EA
7	OQ7060190	SCREW MC6S 10X60(12.9)	2	EA

## 2.0 - INSTALL COMPONENTS

### 2.1 - HOSE CLAMPS

#### 2.1.4 - OQ4119435 - HOSE CLAMP 1" + 3/4" + 1/2"

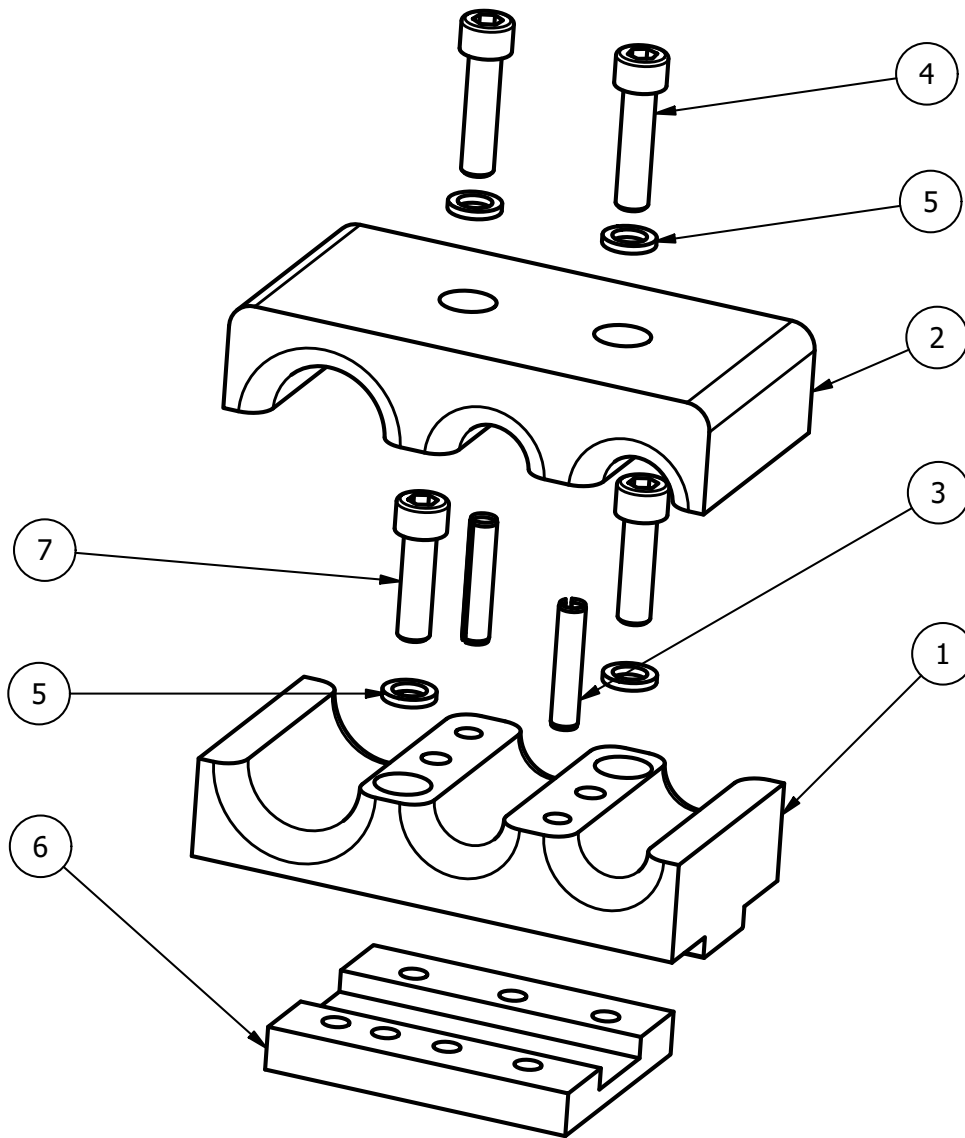


ITEM	PN#	NAME	QTY	UOM
1	OQ4119437	BASE HOSE HOLDER 1"+3/4"+1/2"	1	EA
2	OQ4119436	UPPER HOSE HOLDER 1"+3/4"+1/2"	1	EA
3	OQ7089026	SPRING PIPE STICK FRP 8x40 DIN 1481	2	EA
4	OQ7060110	SCREW MC6S 10x40	2	EA
5	OQ7072028	LOCK WASHER NORDLOCK M10	4	EA
6	OQ4119391	WELDING PLATE	1	EA
7	OQ7060099	SCREW MC6S M10x35 8.8 FZB	2	EA

## 2.0 - INSTALL COMPONENTS

### 2.1 - HOSE CLAMPS

#### 2.1.5 - OQ4124038 - HOSE CLAMP 1" + 2" X 1/2"

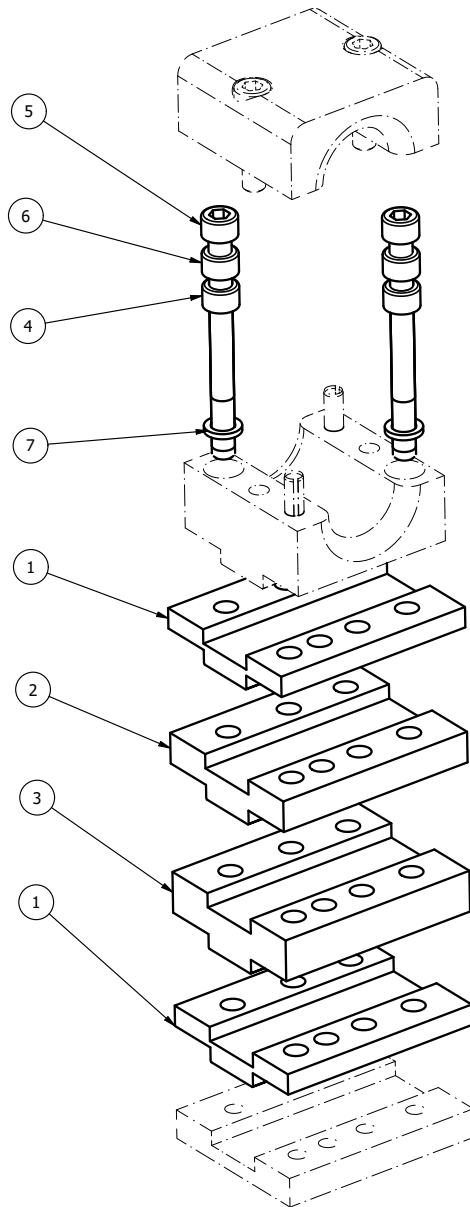


ITEM	PN#	NAME	QTY	UOM
1	OQ4124040	BASE HOSE HOLDER 1" 2 X 1/2"	1	EA
2	OQ4124039	UPPER HOSE HOLDER 1" 2 X 1/2"	1	EA
3	OQ7089026	SPRING PIPE STICK FRP 8X40 DIN 1481	2	EA
4	OQ7060110	SCREW MC6S 10X40	2	EA
5	OQ7072028	LOCK WASHER NORLOCK M10	4	EA
6	OQ4119391	WELDING PLATE	1	EA
7	OQ7060099	SCREW MC6S 10X35	2	EA

## 2.0 - INSTALL COMPONENTS

### 2.1 - HOSE CLAMPS

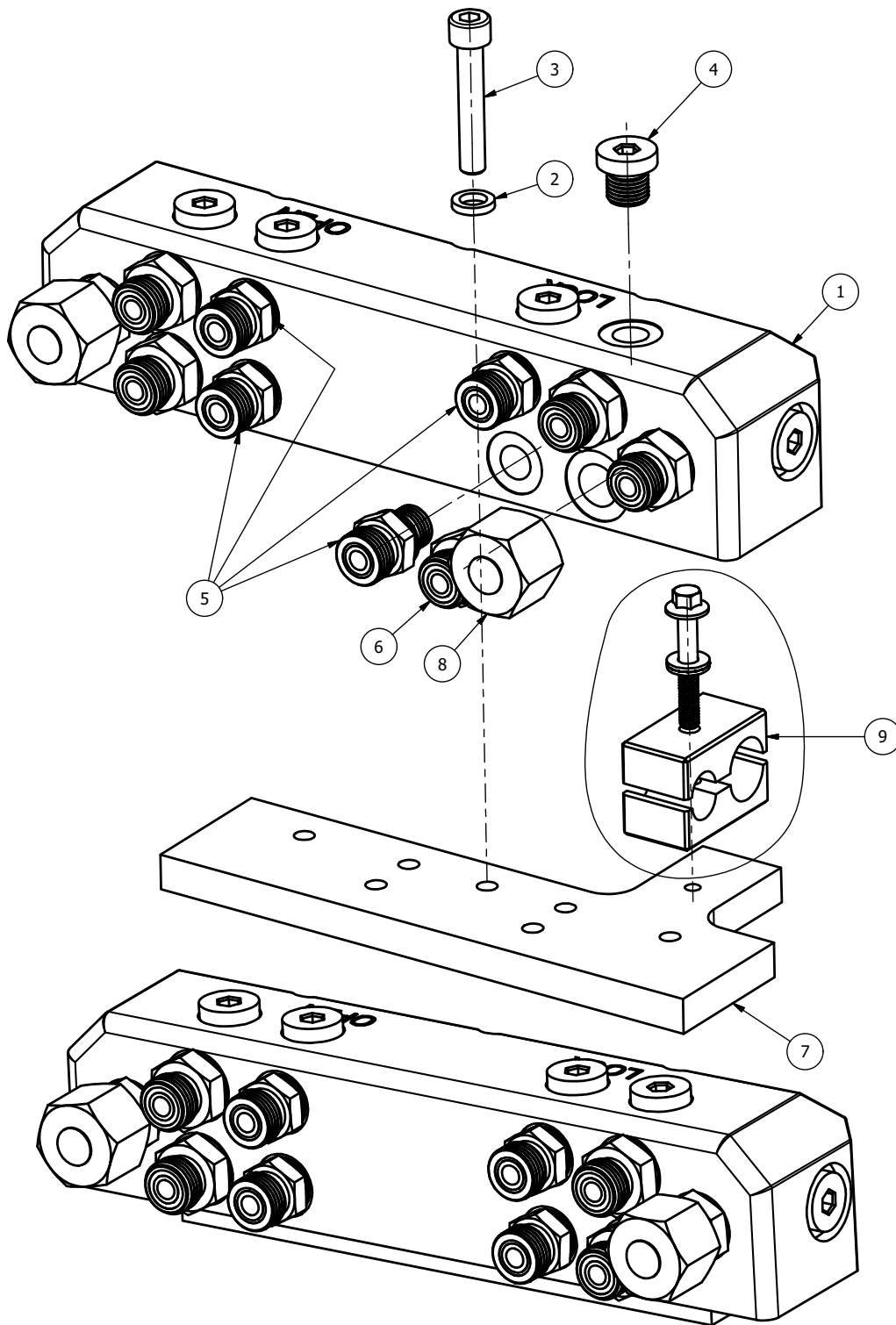
#### 2.1.6 - OQ4119458 - HOSE CLAMP SPACER KIT



ITEM	PN#	NAME	QTY	UOM
1	OQ4119392	SPACER 10MM, HOSE CLAMP	2	EA
2	OQ4119393	SPACER 15MM, HOSE CLAMP	1	EA
3	OQ4119459	SPACER 20MM, HOSE CLAMP	1	EA
4	OQ7060146	SCREW MC6S M10x70 12,9	2	EA
5	OQ7060205	SCREW MC6S M10x80 12.9	2	EA
6	OQ7060177	SHCS MC6S M10-1.50 x90 12.9	2	EA
7	50-00682	WASHER NORDLOCK M10 - 16.6 X 2.5 1244	2	EA

## 2.0 - INSTALL COMPONENTS

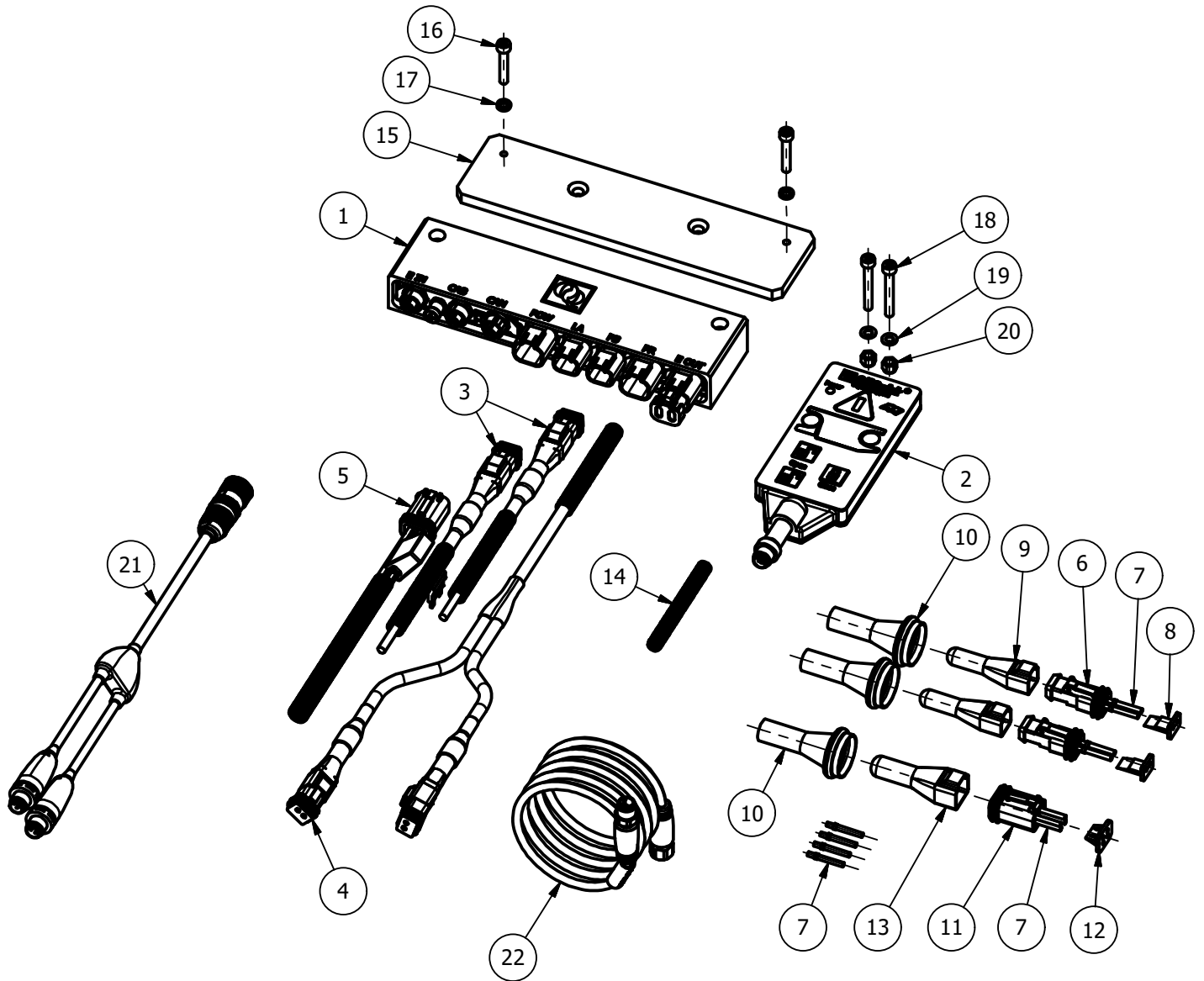
### 2.2 - OQ5110941 - GUIDE BLOCK MANIFOLD



ITEM	PN#	NAME	QTY	UOM
1	OQ4121328	HYDR.BLOCK, LOCK-, 1/2" - & DRAIN	1	EA
2	OQ7072021	WASHER NORDLOCK M8	3	EA
3	OQ7060102	SCREW MC6S M8 - 1.25 x 45	3	EA
4	OQ7200283	PLUG G1/4" ED	6	EA
5	OQ7200213	NIPPLE ORFS06 UF-M14x1,5 UF	4	EA
6	OQ7200249	NIPPLE ORFS08 UF-M16x1,5 UF	6	EA
7	OQ4115481	BRACKET, LOCKING CIRCUIT	1	EA
8	OQ7200002	BLIND NUT ORFS08IF	2	EA
9	OQ5180116	BRACES - COMPLETE	1	EA

### 3.0 - LOCK SUPPORT

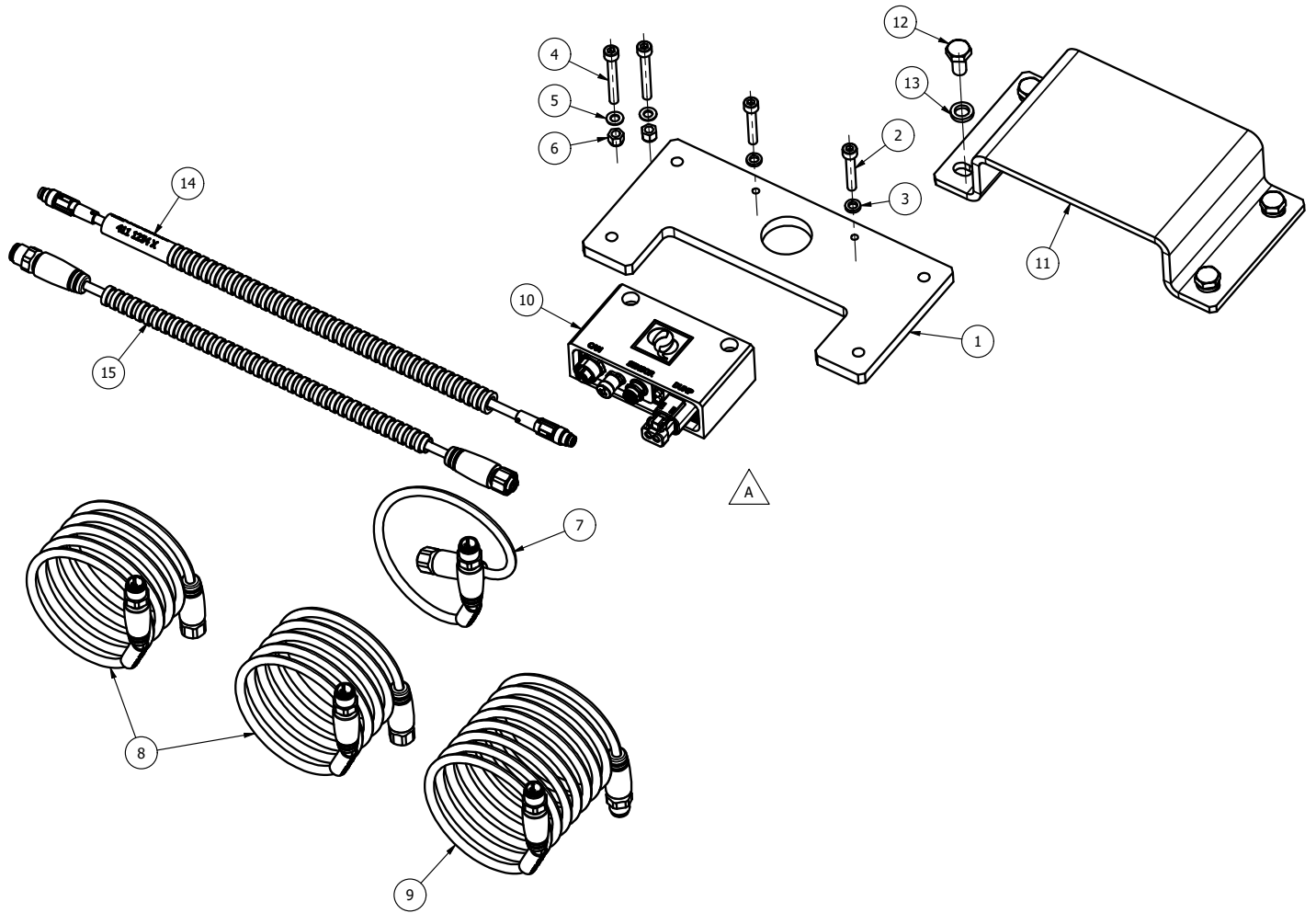
#### 3.1 - OQ5190261 - OQLS 2.0 INSTALLATION KIT



ITEM	PN#	NAME	QTY	UOM
1	OQ4131663	MASTER UNIT - OQLS 2.0 (SINGLE PRESS)	1	EA
2	OQ4126332	OQLS CABIN PANEL GEN 2 (NEW)	1	EA
3	OQ4121394	CABLE SET OQLS (PB/LOCK/PRESSURE)	2	EA
4	OQ4121393	CABLE DEPRESSURIZATION VALVE OQ80	1	EA
5	OQ4123140	CABLE POWER OQLS OQ, TLE	1	EA
6	30-00428	CONNECTOR PLUG DT06-2S-P012	2	EA
7	30-00348	CONNECTOR DEUTSCH SOCKET #16-14	12	EA
8	30-00337	CONNECTOR WEDGE W2S	2	EA
9	OQ7034133	PROTECTIVE HOOD DT2S-BT	2	EA
10	30-00697	1" X 48" BLK ADHESIVE LINED HEAT SHRINK	3	EA
11	30-00332	CONNECTOR PLUG DT06-4S	1	EA
12	30-00338	CONNECTOR WEDGE W4S	2	EA
13	OQ7034131	PROTECTIVE HOOD DT4S-BT	1	EA
14	OQ7034140	SPLIT LOOM	1	EA
15	OQ4124026	MOUNTING PLATE - MASTER UNIT	1	EA
16	OQ7060153	SCREW MC6S M5x30 12.9	2	EA
17	OQ7072033	WASHER NORDLOCK M5 - 9.0 X 1.8	2	EA
18	50-01095	SH CS M5 - 0.8 X 40 Z_12.9	2	EA
19	50-00422	WASHER M5 - 10.0 X 1.0 Z_H	2	EA
20	50-01096	NUT NYLOCK M5 - 0.8 Z_	2	EA
21	OQ7033002	CABLE - OQLS PANEL 6M (19' 6" LG)	1	EA
22	OQ7033073	CABLE - EXTENSION, CAB =2,0M M-F	1	EA

### 3.0 - LOCK SUPPORT

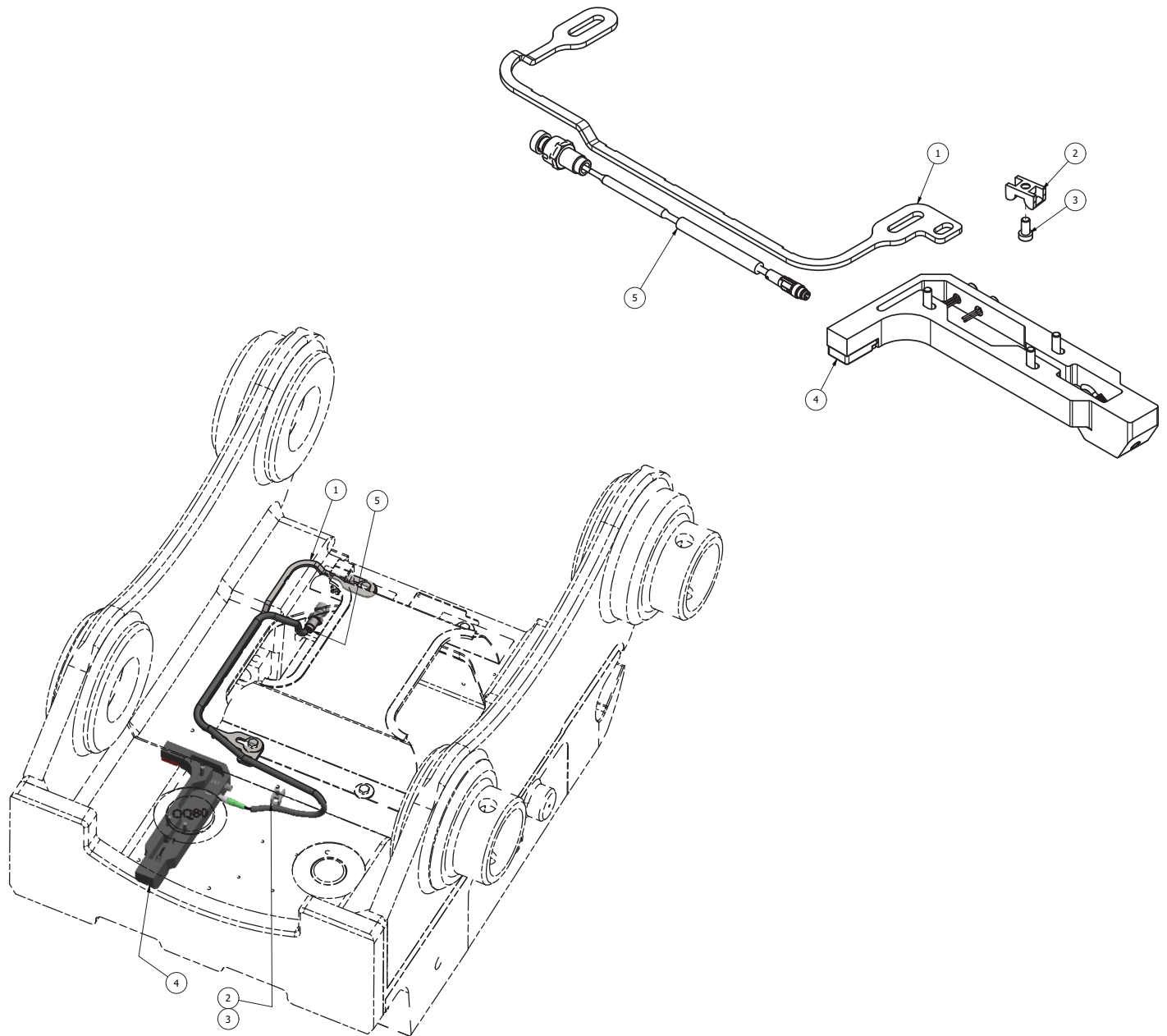
#### 3.2 - OQ5190268 - STICK UNIT KIT OQLS 2.0 15MM



ITEM	PN#	NAME	QTY	UOM
1	OQ4130698	WELD PLATE - STICK UNIT OQLS 2.0	1	EA
2	OQ7060153	SCREW MC6S M5x30 12.9	2	EA
3	OQ7072033	WASHER NORDLOCK M5 - 9.0 X 1.8	2	EA
4	OQ7060100	SCREW MC6 M5x40	2	EA
5	OQ7072031	WASHER M5 - 10.0 Z	2	EA
6	OQ7065018	NUT M6M M5 NYLOCK	2	EA
7	OQ7033068	CABLE - OQLS EXTENSION, BOOM L=0,5M M-F	1	EA
8	OQ7033070	CABLE - EXTENSION, BOOM L=2,0M M-F	2	EA
9	OQ7033062	CABLE-OQCS/OQLS CANBUS M/M 15M (49'2")	1	EA
10	OQ4131384	STICK UNIT - OQLS 2.0	1	EA
11	OQ4130699	PROTECTION COVER - STICK UNIT OQLS 2.0	1	EA
12	OQ7060004	SCREW M6S M8 - 1.25 x 16 8.8 FZB	4	EA
13	OQ7072021	WASHER NORDLOCK M8	4	EA
14	OQ5190231	CABLE - SENSOR OQLS 2.0 3M	1	EA
15	OQ7033095	EXTENSION CABLE - OQLS 2.0 1M M/F M8	1	EA

## 3.0 - LOCK SUPPORT

### 3.3 - OQ5190338 - OQ80 OQLS 2.0 SENSOR KIT

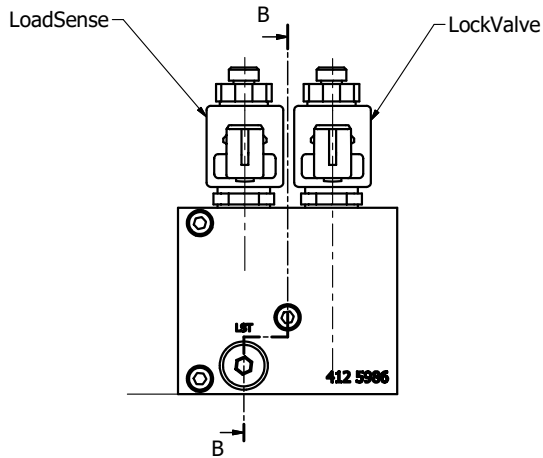


ITEM	PN#	NAME	QTY	UOM
1	OQ4133128	CABLE RAIL OQLS 2.0 OQ80	1	EA
2	OQ7087000	CABLE RETAINER	1	EA
3	OQ7060285	SH CS M6 -1.00 X 12 Z_12.9 LOW PROFILE	1	EA
4	OQ4131082	REAR SENSOR (CHASSIS) OQLS 2.0 OQ80	1	EA
5	OQ5190251	FRONT SENSOR OQLS 2.0 OQ80	1	EA

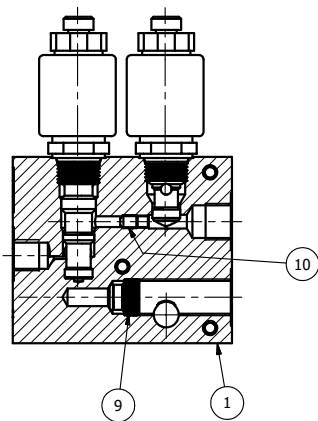


### 3.0 - LOCK SUPPORT

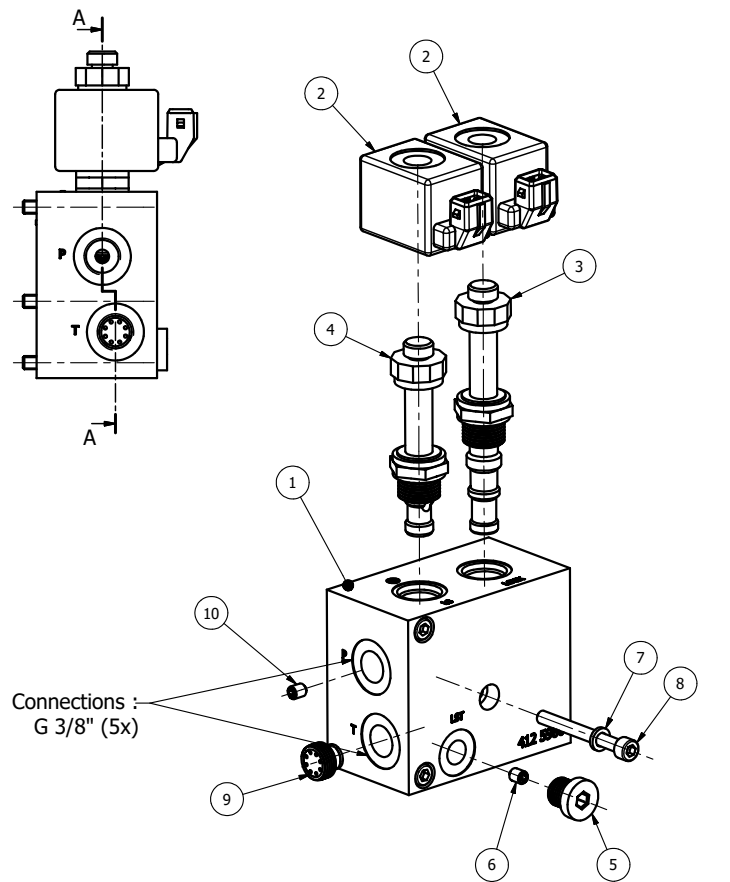
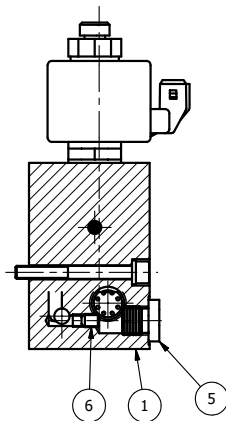
#### 3.4 - OQ4120613 - LOCK VALVE



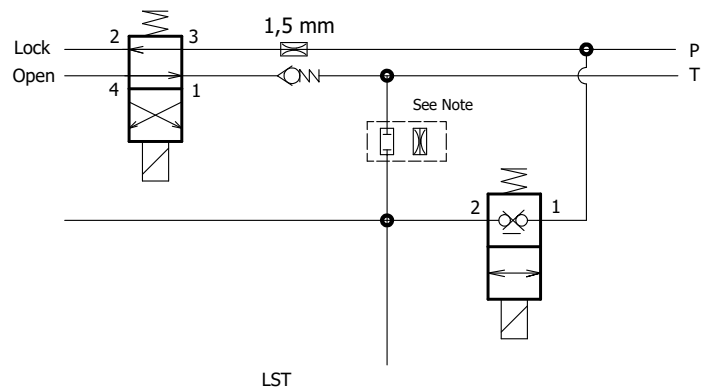
A-A



B-B



Connections :  
G 3/8" (5x)



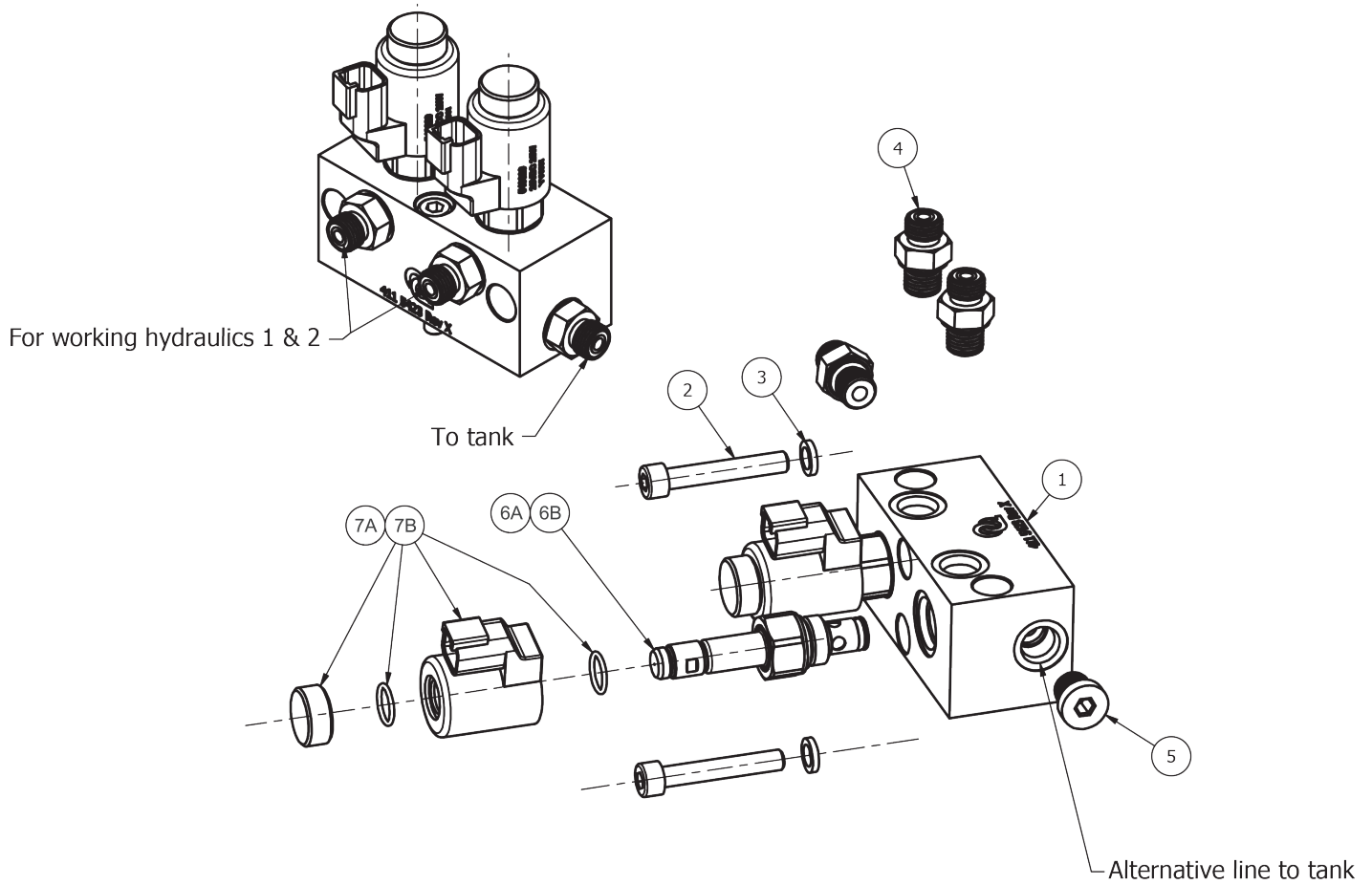
Via the plug LST, the stop screw can be removed and replaced with an M6 throttle. This may be necessary for the LS signal to function correctly.

Hydraulic components Cleanliness requirements according to OQ 600 0109

ITEM	PN#	NAME	QTY	UOM
1	OQ4125986	LOCK - POWERBOOST VALVE BLOCK	1	EA
2	OQ7005057	SOLENOID 24V LOCK-POWER BOOST VALVE	2	EA
3	OQ7005053	VALVE CARTRIDGE 6/2 (LOCKING SIDE)	1	EA
4	OQ7005054	VALVE CARTRIDGE 2/2 (POWERBOOST SIDE)	1	EA
5	OQ7200283	PLUG G1/4" ED	1	EA
6	OQ7060011	SCREW SK6SS M6x8	1	EA
7	50-00905	WASHER NORDLOCK M6 - 10.8 X 1.8 1519	3	EA
8	OQ7060076	SCREW MC6S M6x55 12.9	3	EA
9	OQ7009024	LOCK - POWER BOOST CHECK VALVE	1	EA
10	OQ4125987	M6 ORIFICE (1.5MM)	1	EA

### 3.0 - LOCK SUPPORT

#### 3.5 - OQ4123124 - DEPRESSURIZATION VALVE



ITEM	PN#	NAME	QTY	UOM
1	OQ4115423	HYDRAULIC BLOCK, DEPRESSURIZING KIT	1	EA
2	OQ7060056	SCREW MC6S M8 - 1.25 x 80 12.9	2	EA
3	OQ7072021	WASHER NORDLOCK M8	2	EA
4	OQ7200207	NIPPLE ORFS04 UF-M14x1.5 UF	3	EA
5	OQ7200214	PLUG M14x1,5	2	EA
6A	OQ7005082	VALVE CARTRIDGE 2/2	2	EA
6B	OQ7005069	VALVE CARTRIDGE 2/2 PRV PARKER	2	EA
7A	OQ7005083	SOLENOID 28V, DT, DEPRESSURIZING (ROUND)	2	EA
7B	OQ7005070	SOLENOID 28V, DT, DEPRESSURIZING (SQUARE)	2	EA

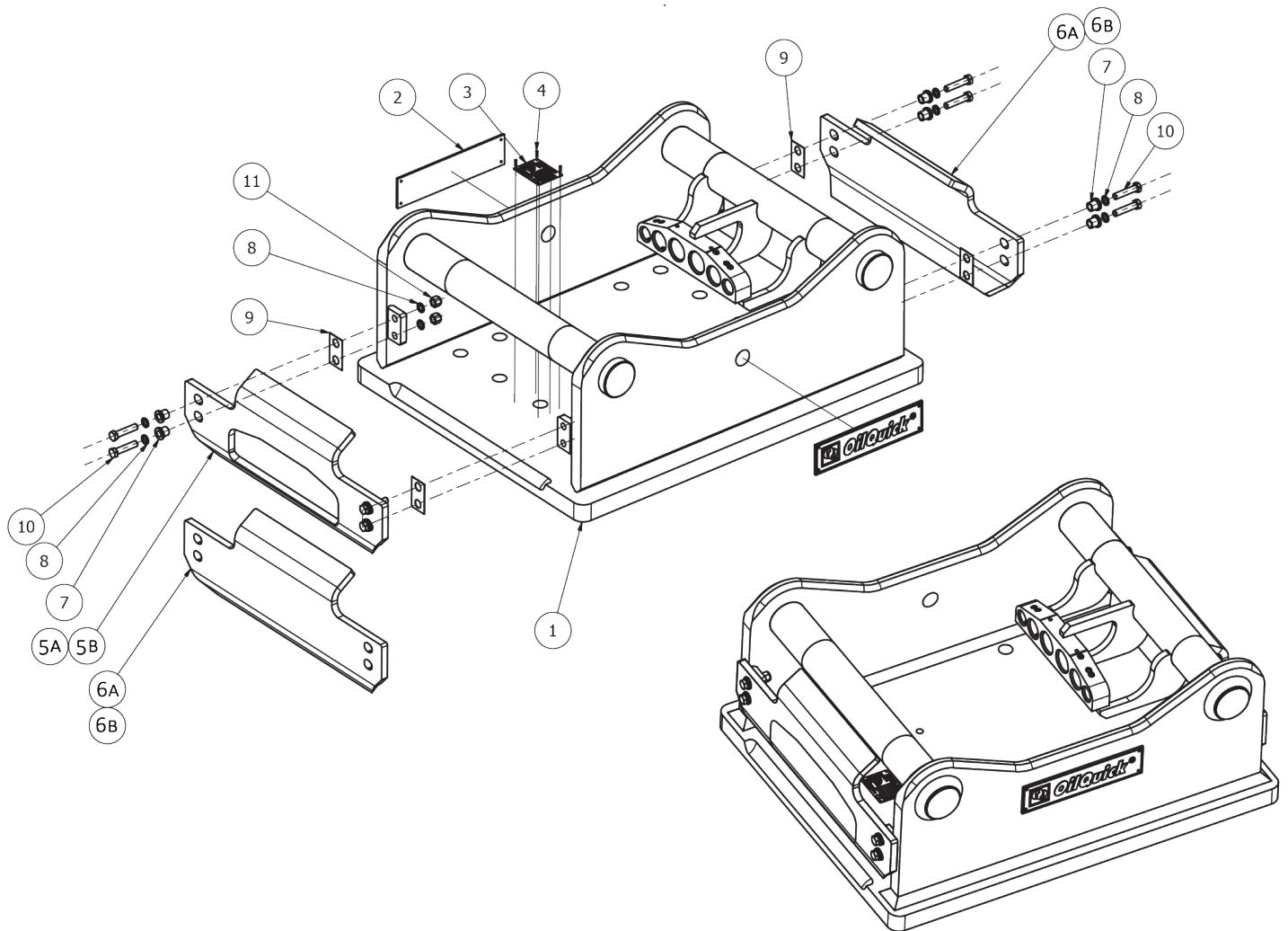
## 3.0 - LOCK SUPPORT

### 3.6 - OQ5116281 - FIRST AID KIT OQ80

ITEM	PN#	NAME	QTY	UOM
1	OQ7020130	NOSE SEAL 1/2"	4	EA
2	OQ7020131	NOSE SEAL 3/4"	4	EA
3	OQ7020132	NOSE SEAL 1"	4	EA
4	OQ4112220	PUSHER 1/2"	1	EA
5	OQ4112221	PUSHER 3/4"	1	EA
6	OQ4112222	PUSHER 1"	1	EA
7	OQ4116298	MOUNTING TOOL 1/2"	1	EA
8	OQ4116296	MOUNTING TOOL 3/4"	1	EA
9	OQ4116295	MOUNTING TOOL 1"	1	EA
10	OQ7410094	DECAL FIRST AID KIT	1	EA
11	OQ7406065	FIRST AID KIT BOX	1	EA

## 4.0 - ATTACHMENT FRAME

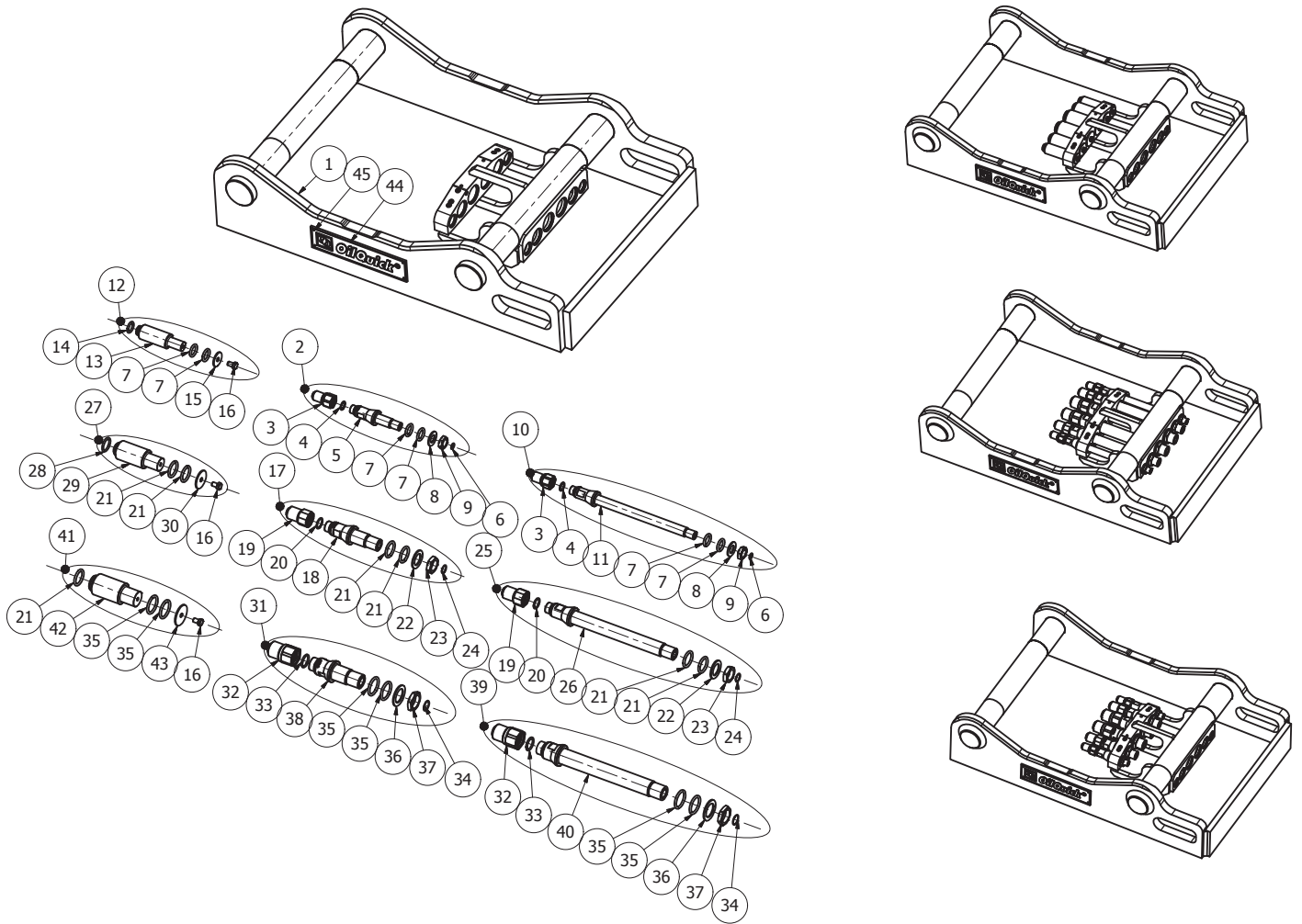
### 4.1 - OQ4120603 - D-FRAME



ITEM	PN#	NAME	QTY	UOM
1	OQ411xxxx	ATTACHMENT FRAME	1	EA
2	OQ4116271	EMBLEM - OILQUICK - OQ70-OQ120	2	EA
3	OQE04743	SERIAL TAG - OILQUICK AMERICAS	1	EA
4	OQ7093007	POP RIVET A 3,2X12,5	4	EA
5A	OQ4120332	PROTECTION PLATE, OQ80 CUTOUT	1	EA
5B	OQE04987	PROTECTION PLATE, OQ80 CUTOUT	1	EA
6A	OQ4120331	PROTECTION PLATE - OQ80 SOLID	2	EA
6B	OQE04987	PROTECTION PLATE - OQ80 SOLID	2	EA
7	OQ4120324	SLEEVE - PROTECTION PLATE TOOL ADAPT	8	EA
8	OQ7072007	OBS WASHER NORDLOCK M12-19.5 X 2.5 1262	16	EA
9	OQ4120568	RUBBER SPACER OQ80-90	4	EA
10	OQ7060217	HH CS M12 x 55 8.8_FZB	8	EA
11	OQ7065005	NUT- M12 NYLOCK	8	EA

## 4.0 - ATTACHMENT FRAME

### 4.2 - OQ4113943 - C-FRAME



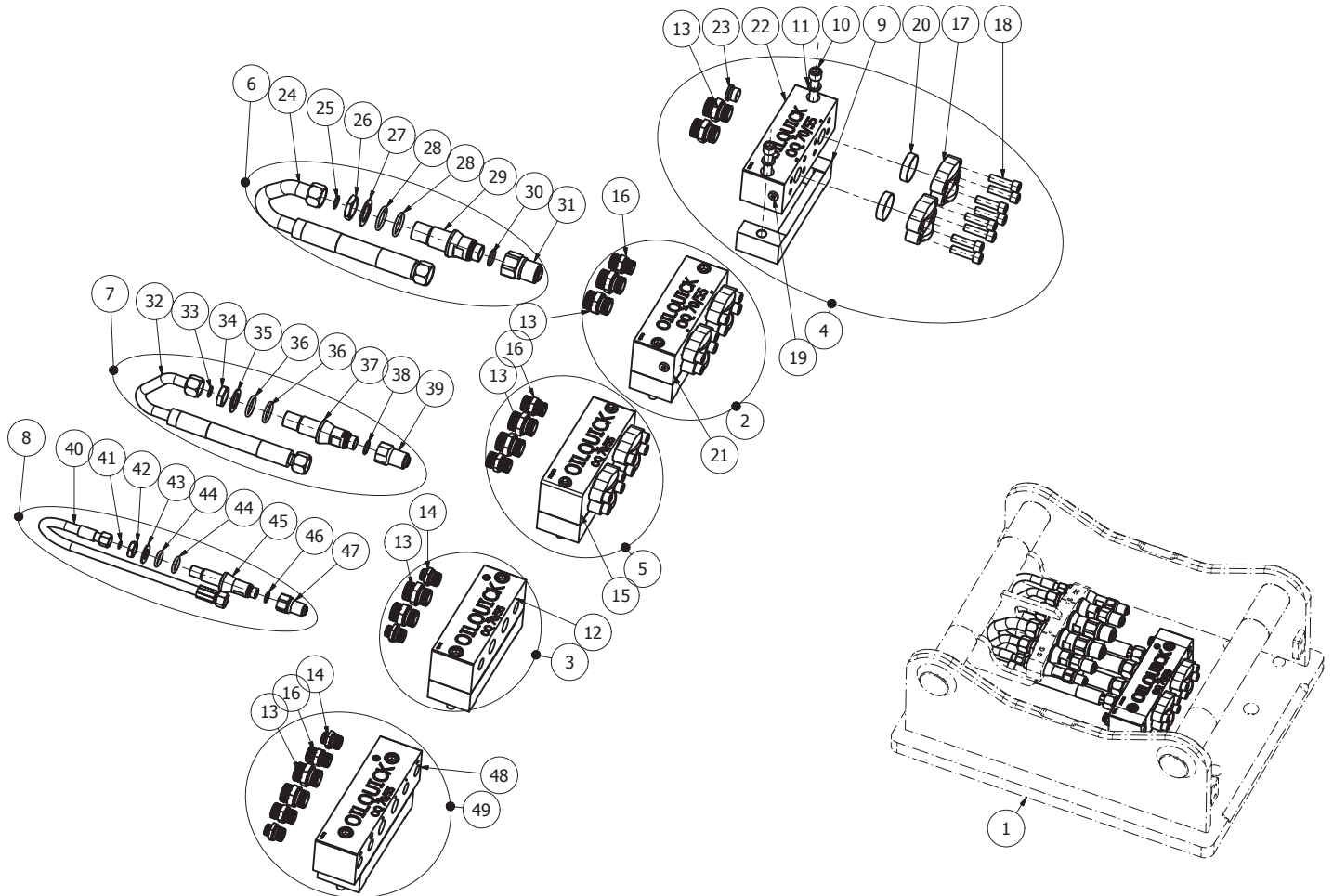
ITEM	PN#	NAME	QTY	UOM
1	OQ4113935	OQ80 C-FRAME - BLANK FPG	1	EA
2	OQ5112080	COUPLING KIT 1/2" OQ70-90 NO BLOCK	2	EA
3	OQ7206017	HYDRAULIC COUPLING 1/2", MALE	2	EA
4	OQ7160048	O-RING 17,6x2,62 NBR70	2	EA
5	OQ4113605	BULKHEAD 1/2" SHORT OQ70/55 OQ80	2	EA
6	OQ7160045	O-RING-014 -08MO (12,42x1,78) NBR 90D	2	EA
7	OQ7160042	O-RING 24x5 NBR70	4	EA
8	OQ4112316	WASHER 0.750 - 1.49 X 0.12 P	2	EA
9	OQ4112399	NUT 13/16"-16UN, T=9	2	EA
10	OQ5112083	COUPLING KIT 1/2" LONG OQ80 25.4 X 3.3	2	EA
11	OQ4113940	BULKHEAD 1/2" LONG OQ80	2	EA
12	OQ4112668	POLY ADAPTER 1/2" OQ70-90	2	EA
13	OQ4112667	POLY ADAPTER 1/2"	2	EA
14	OQ7160031	RUBBER RING 22X4	2	EA
15	OQ4112660	WASHER 1/2"	2	EA
16	OQ7060118	SCREW	6	EA
17	OQ5112081	COUPLING KIT 3/4" OQ70-90 NO BLOCK	2	EA
18	OQ4113606	BULKHEAD 3/4" SHORT OQ70/55 OQ80	2	EA
19	OQ7206019	HYDRAULIC COUPLING 3/4", MALE	2	EA
20	OQ7160049	O-RING 23,47x2,62 NBR70	2	EA
21	OQ7160043	O-RING 34x5 NBR 70	6	EA
22	OQ4112315	WASHER 1.188 - 1.88 X 0.12 P	2	EA
23	OQ4112398	NUT 1 3/16"-12UN, T=10,5	2	EA
24	OQ7160046	O-RING-018 -12MO (18,77x1,78) NBR 90D	2	EA
25	OQ5112084	COUPLING KIT 3/4" LONG OQ80	2	EA
26	OQ4113941	BULKHEAD 3/4" LONG OQ80	2	EA
27	OQ4112670	POLY ADAPTER 3/4" OQ70-90	2	EA
28	OQ7160032	RUBBER RING 30X4	2	EA
29	OQ4112669	POLY ADAPTER 3/4"	2	EA
30	OQ4112659	WASHER 3/4"	2	EA
31	OQ5112082	COUPLING KIT 1" OQ70-90 NO BLOCK	2	EA
32	OQ7206021	HYDRAULIC COUPLING 1", MALE	2	EA
33	OQ7160050	O-RING 28,17x3,52 NBR70	2	EA

ITEM	PN#	NAME	QTY	UOM
34	OQ7160047	O-RING-021 -16MO (23,52x1,78) NBR 90D	2	EA
35	OQ7160044	O-RING 40 x 5 NBR70	2	EA
36	OQ4112314	WASHER 1.375 - 2.16 X 0.12 P	2	EA
37	OQ4112397	NUT 1 7/16"-12UN, T=10,5	2	EA
38	OQ4113607	BULKHEAD 1" SHORT OQ70/55 OQ80	2	EA
39	OQ5112085	COUPLING KIT 1" OQ80 LONG	2	EA
40	OQ4113942	BULKHEAD 1" LONG OQ80	2	EA
41	OQ4112672	POLY ADAPTER 1" OQ70-90	2	EA
42	OQ4112671	POLY ADAPTER 1"	2	EA
43	OQ4112658	WASHER 1"	2	EA
44	OQ4116271	EMBLEM - OILQUICK - OQ70-OQ120	2	EA
45	OQ7093007	RIVET POP 3.2 x12.3 ALUMINUM	8	EA



## 4.0 - ATTACHMENT FRAME

### 4.3 - OQ4118439 - SPLIT BLOCKS

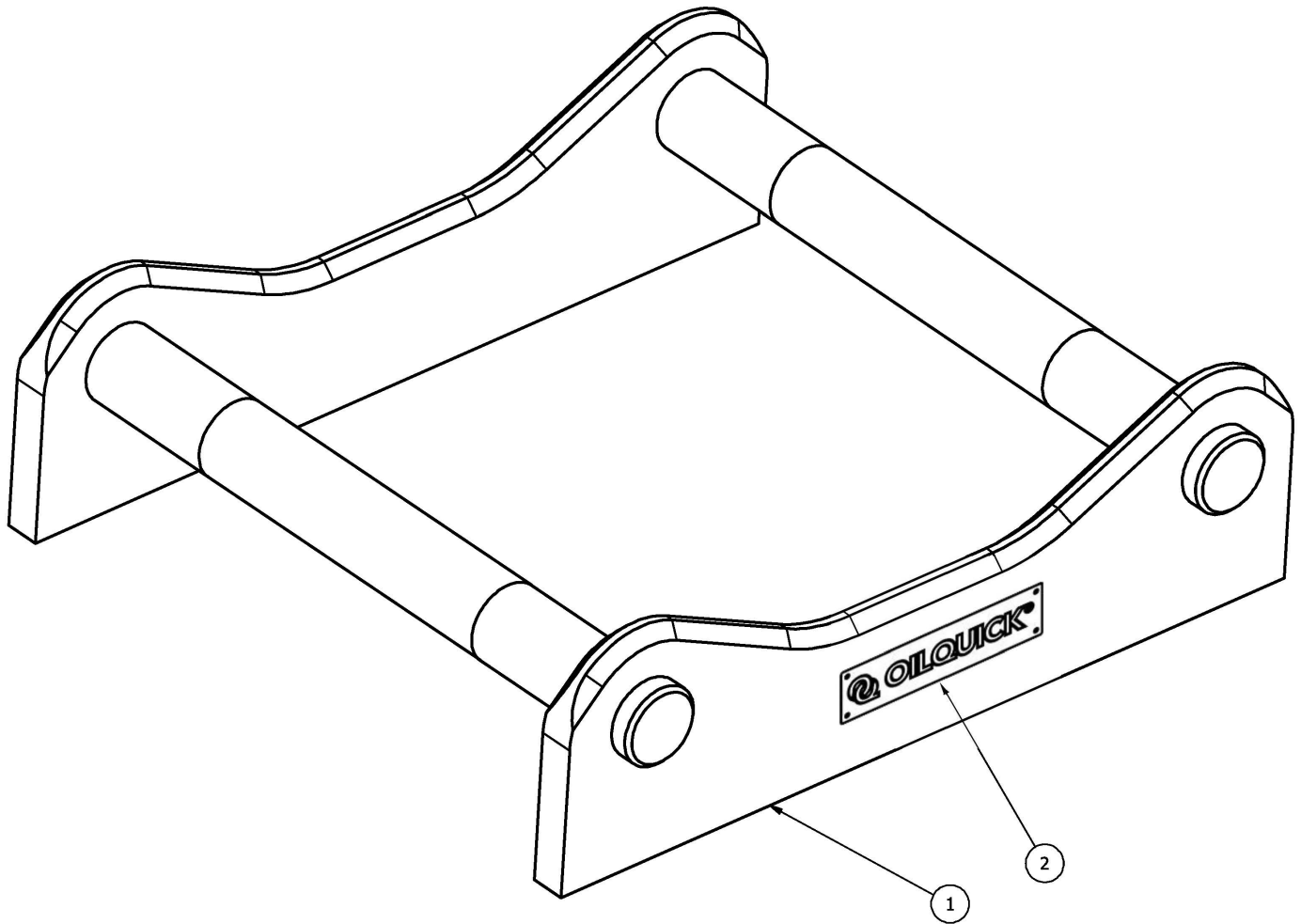


ITEM	PN#	NAME	QTY	UOM
1	OQ411XXXX	TOOL ADAPTER	1	EA
2	OQ5111111	HYDR.BLOCK KIT 2x1", 1x3/4" SPLIT	1	EA
3	OQ5111112	HYDR.BLOCK KIT 2x1", 2x1/2"	1	EA
4	OQ5111110	OQ80 SPLIT BLOCK KIT	1	EA
5	OQ5111113	OQ70/55 80 SPLIT BLOCK KIT	1	EA
6	OQ5111108	COUPLING KIT 1" OQ70-80 BLOCK	2	EA
7	OQ5111107	COUPLING KIT 3/4" OQ70-80 BLOCK	2	EA
8	OQ5111106	COUPLING KIT 1/2" OQ70-90 BLOCK	2	EA
9	OQ4117947	SPACER, OQ70-80 TOOL ADAPTER	1	EA
10	OQ7060119	SCREW MC6S M16x140 8.8 FZB	2	EA
11	OQ7072034	NORDLKM16 - 25.4 X 3.3 1536	2	EA
12	OQ7200273	HYDRAULIC BLOCK 2x1", 2x1/2"	1	EA
13	OQ7200282	FTG-HYD 16MBSPP - 16MO SEAL E	2	EA
14	OQ7200280	FTG-HYD 12MBSPP-15LMDIN SEAL E	2	EA
15	OQ7200288	SPLIT BLOCK 2x1"+2x3/4" BULK HEAD 1/2"	1	EA
16	OQ7200281	FTG-HYD 12MBSPP-12MO SEAL E	2	EA
17	OQ7207006	SAE6 FLANGE 1 1/4"	4	EA
18	OQ7060197	SH CS M14 - 2.00 X 50 Z_12.9	8	EA
19	OQ7200283	FTG-HYD 04MBSPP PLUG SEAL E	2	EA
20	OQ7207007	PLASTIC PLUG, SAE6 FLANGE 1 1/4"	2	EA
21	OQ7200272	SPLIT BLOCK 2x1"+1x3/4"-SAE6 1 1/4"	1	EA
22	OQ7200272	SPLIT BLOCK 2x1"+1x3/4"-SAE6 1 1/4"	1	EA
23	OQ7091010	PLUG G3/4" ED	1	EA
24	OQ7150213	HYDRAULIC HOSE/PIPE 1"	2	EA
25	OQ7160047	O-RING-021 -16MO (23,52x1,78) NBR 90D	2	EA
26	OQ4112397	NUT 1 7/16"-12UN, T=10,5	2	EA
27	OQ4112314	WASHER 1.375 - 2.16 X 0.12 P	2	EA
28	OQ7160044	O-RING 40x5 NBR70	4	EA
29	OQ4113607	BULKHEAD 1" SHORT OQ70/55 OQ80	2	EA
30	OQ7160050	O-RING 28,17x3,52 NBR70	2	EA
31	OQ7206021	HYDRAULIC COUPLING 1", MALE	2	EA
32	OQ7150214	HYDRAULIC HOSE/PIPE 3/4"	2	EA
33	OQ7160046	O-RING-018 -12MO (18,77x1,78) NBR 90D	2	EA

ITEM	PN#	NAME	QTY	UOM
34	40-00500	NUT 1 3/16"-12UN, T=10,5	2	EA
35	OQ4112315	WASHER 1.188 - 1.88 X 0.12 P	2	EA
36	OQ7160043	O-RING 34x5 NBR 70	4	EA
37	OQ4113606	BULKHEAD 3/4" SHORT OQ70/55	2	EA
38	OQ7160049	O-RING 23,47x2,62 NBR70	2	EA
39	OQ7206019	HYDRAULIC COUPLING 3/4", MALE	2	EA
40	OQ7150215	HYDRAULIC HOSE 1/2" L=570	2	EA
41	OQ7160045	O-RING-014 -08MO (12,42x1,78) NBR 90D	2	EA
42	OQ4112399	NUT 13/16"-16UN, T=9	2	EA
43	OQ4112316	WASHER 0.750 - 1.49 X 0.12 P	2	EA
44	OQ7160042	O-RING 24x5 NBR70	4	EA
45	OQ4113605	BULKHEAD 1/2" short OQ70/55 OQ80	2	EA
46	OQ7160048	O-RING 17,6x2,62 NBR70	2	EA
47	OQ7206017	HYDRAULIC COUPLING 1/2", MALE	2	EA
48	OQ7200386	SPLIT BLOCK OQ80 OQ70/55 2x1,2x3/4,2x1/2	1	EA
49	OQ5111114	HYDR.BLOCK KIT 2x1", 2x3/4", 2x1/2"	1	EA

## 4.0 - ATTACHMENT FRAME

### 4.4 - OQE04830 - MECHANICAL ATTACHMENT FRAME



ITEM	PN#	NAME	QTY	UOM
1	OQE00119	OQ80R- MECHANICAL ATTACHMENT FRAME	1	EA
2	OQ4116271	EMBLEM - OILQUICK - OQ70-OQ120	2	EA
3	OQE04831	INSTRUCTIONS MECHANICAL ATTACHMENT FRAME	1	EA

**Dealer:**



OilQuickAmericas  
155 Main Street  
Superior, WI 54880  
Phone: 262.607.8425  
Fax: 715.395.3703

E-mail: [info@oilquickamericas.com](mailto:info@oilquickamericas.com)  
Web: [www.oilquickamericas.com](http://www.oilquickamericas.com)