

**Manufacturer:**

OilQuickAmericas  
155 Main Street  
Superior, WI 54880  
Phone: 262.607.8425  
Fax: 715.395.3703

E-mail: [info@oilquickamericas.com](mailto:info@oilquickamericas.com)  
Web: [www.oilquickamericas.com](http://www.oilquickamericas.com)

**When ordering spare parts:**

- Include the part number, description and desired quantities.
- Include your complete address.
- Specify how the parts are to be delivered.



## TABLE OF CONTENTS

### QQ65

#### 1.0 - QUICK COUPLER

1.1 - QQ4118784 - QQ65 COUPLER .....	4
--------------------------------------	---

#### 2.0 - INSTALL COMPONENTS

2.1 - HOSE CLAMPS .....	7
2.1.1 - QQ4119580 - HOSE CLAMP 3/4" .....	7
2.1.2 - QQ4119423 - HOSE CLAMP 1/2"+3/4" .....	8
2.1.3 - QQ4124041 - HOSE CLAMP 3/4"+2x1/2" .....	9
2.1.4 - QQ4119458 - SPACER KIT HOSE CLAMP 35/45/55MM .....	10
2.2 - QQ5113011 - GUIDE BLOCK .....	12

#### 3.0 - LOCK SUPPORT

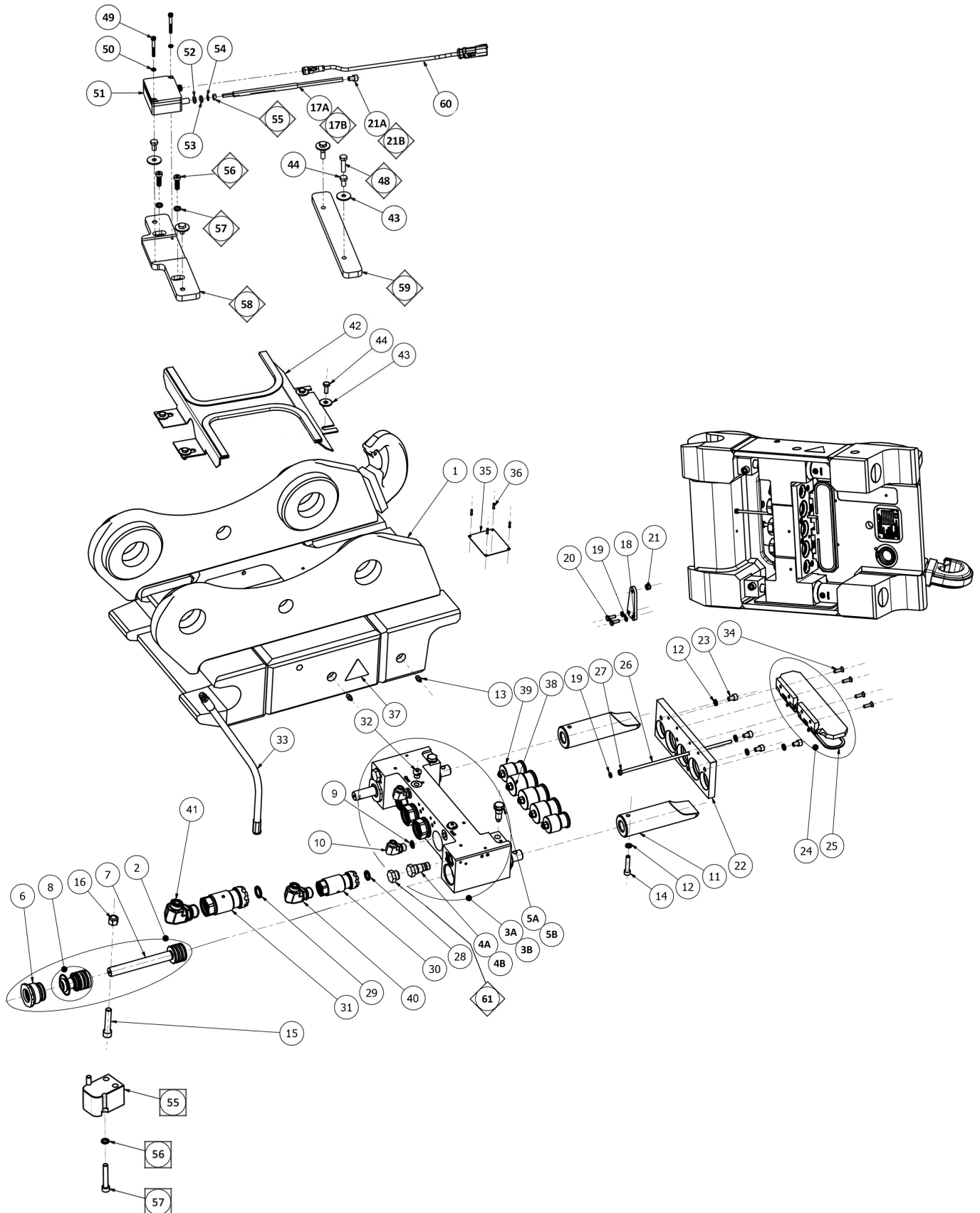
3.1 - QQ5190261 - CONTROL SYSTEM OQLS 2.0 QQ40-QQ120 .....	14
3.2 - QQ5190267 - STICK UNIT KIT OQLS 2.0 12M QQ60-QQ65 .....	16
3.3 - QQ5190346 - QQ65 OQLS 2.0 SENSOR KIT .....	18
3.4 - QQ4120613 - VALVE - LOCK/OPEN POWERBOOST .....	20
3.5 - QQ4123124 - VALVE - DEPRESSURIZATION 24V DT .....	22
3.6 - QQ5110981 - FIRST AID KIT QQ60 QQ65 OQL310 OQL410 .....	23

#### 4.0 - ATTACHMENT FRAMES

4.1 - QQ4120617 - D-FRAME .....	24
4.2 - QQ4116385 - C-FRAME .....	26
4.3 - QQ4122410 - SPLIT BLOCKS .....	28
4.4 - QQE05666 - QQ65 - MECHANICAL ATTACHMENT FRAME .....	30

# 1.0 - COUPLER

## 1.1 - OQ4118784 - OQ65 COUPLER



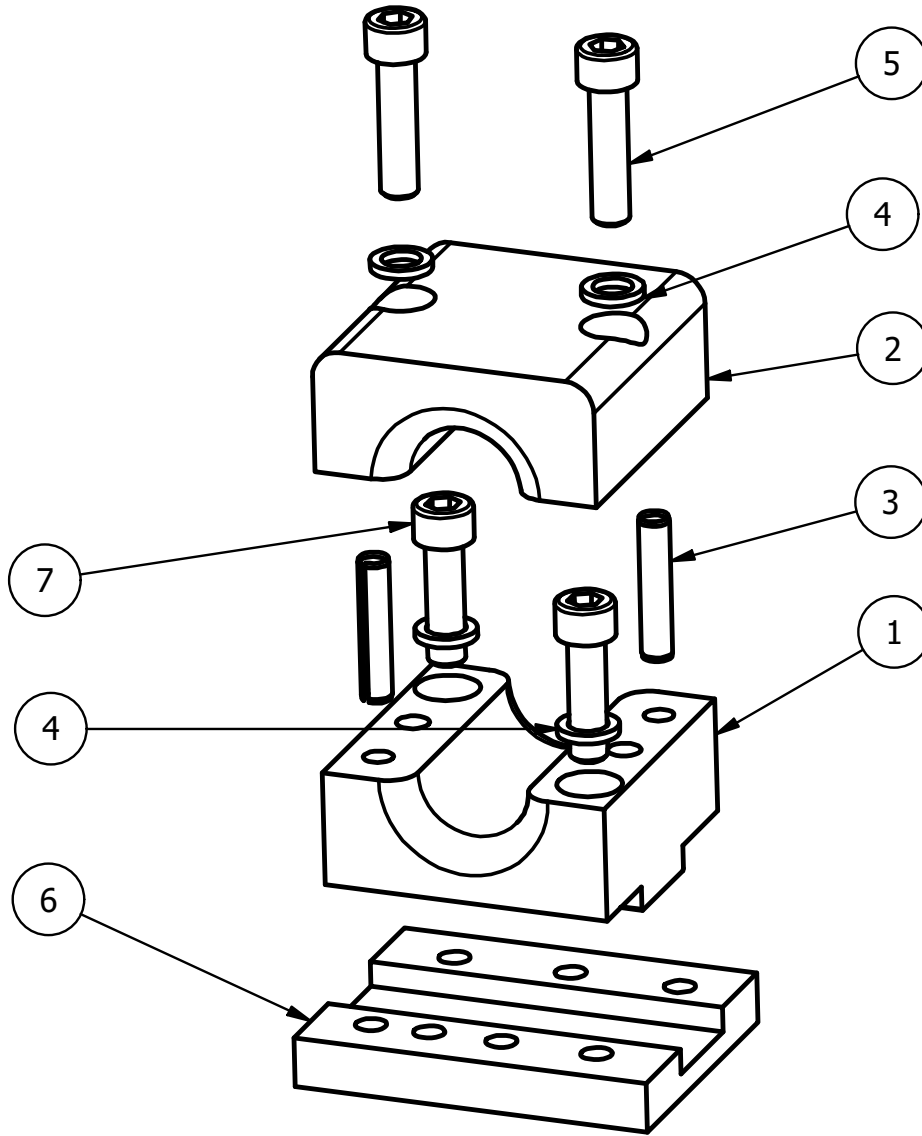
ITEM	PN#	NAME	QTY	UOM
1	OQ411xxxx	QUICK COUPLER BODY	1	EA
2	OQ4115583	KIT-PISTON ROD H-CYL. OQ65/OQC60	2	EA
3	OQ4115585	H-CYLINDER OQ65	1	EA
4	OQ7009012	CHECK VALVE 4CK30-I-S3-A9	2	EA
5	OQ7008004	PRESSURE RELIEF VALVE	2	EA
6	OQ4115582	GUIDE NUT, PISTON ROD OQ65/OQC60	2	EA
7	OQ4115581	PISTON ROD H-CYL. OQ65/OQC60	2	EA
8	OQ7020228	SEAL KIT H-CYL OQ65/OQC65	2	EA
9	OQ7200120	SEAL WASHER M12	2	EA
10	OQ7200210	FTG-HYD 12MM- 04MO 90	2	EA
11	OQ4114638	LOCKING PLUNGER OQ65	2	EA
12	OQ7072021	WASHER NORDLOCK M8	6	EA
13	OQ7205006	GREASE NIPPLE M8x1,25	4	EA
14	OQ7060103	SCREW MC6S M8 - 1.25 x 40	2	EA
15	OQ7060051	SCREW MC6S M12x60 12.9	2	EA
16	OQ7065005	NUT- M12 NYLOCK	2	EA
17	OQ4110551	INDICATOR ROD OQ45-OQ60	1	EA
18	OQ4114644	INDICATOR BRACKET OQ65	1	EA
19	OQ7072020	WASHER NORDLOCK M6	3	EA
20	OQ7060082	SCREW M6S M6x14 8.8 FZB	2	EA
21	OQ7065021	LOCKING NUT M6 NYLOCK	1	EA
22	OQ4115781	GUIDE PLATE OQ65	1	EA
23	OQ7060101	SCREW MC6S M8 - 1.25 x 12	4	EA
24	OQ4114640	DIRT GUARD OQ65	1	EA
25	OQ4115211	RUBBER SEAL, DIRT GUARD	1	EA
26	OQ4114642	OPENING BAR OQ65	1	EA
27	OQ7065010	NUT M6M M 6 FZB	1	EA
28	OQ7020130	NOSE SEAL 1/2"	2	EA
29	OQ7020131	NOSE SEAL 3/4"	3	EA

ITEM	PN#	NAME	QTY	UOM
30	OQ4118550	HYDRAULIC COUPLING 1/2", M22 FEMALE	2	EA
31	OQ4118524	HYDRAULIC COUPLING 3/4", M27 FEMALE	3	EA
32	OQ7200223	PLUG VSTI M12X1.5 ED	2	EA
33	OQE05739	DECAL - OQC65 SHOW BOOM	2	EA
34	OQ7060091	SCREW MF6S M6x20 10.9	4	EA
35	OQE04743	SERIAL TAG - OILQUICK AMERICAS	1	EA
36	OQ7093007	RIVET POP 3.2 x12.3 ALUMINUM	4	EA
37	OQ7410059	PINCH DECAL	2	EA
38	OQ4121134	POLY ADAPTER 3/4", H-CYLINDER	3	EA
39	OQ4121137	POLY ADAPTER 1/2", H-CYLINDER	2	EA
40	OQ7200227	ELBOW ORFS08 UF-M22X1,5 UF 90° ADJ	2	EA
41	OQ7200228	ELBOW ORFS12 UF-M27X2 UF 90° ADJ	3	EA
42	OQ4133938	PROTECTIVE PLATE OQ65	1	EA
43	OQ7072029	WASHER FNDR M6 - 28.0 Z	4	EA
44	OQ7060082	SCREW M6S M6x14 8.8 FZB	4	EA

## 2.0 - INSTALL COMPONENTS

### 2.1 - HOSE CLAMPS

#### 2.1.1 - OQ4119580 - HOSE CLAMP 3/4"

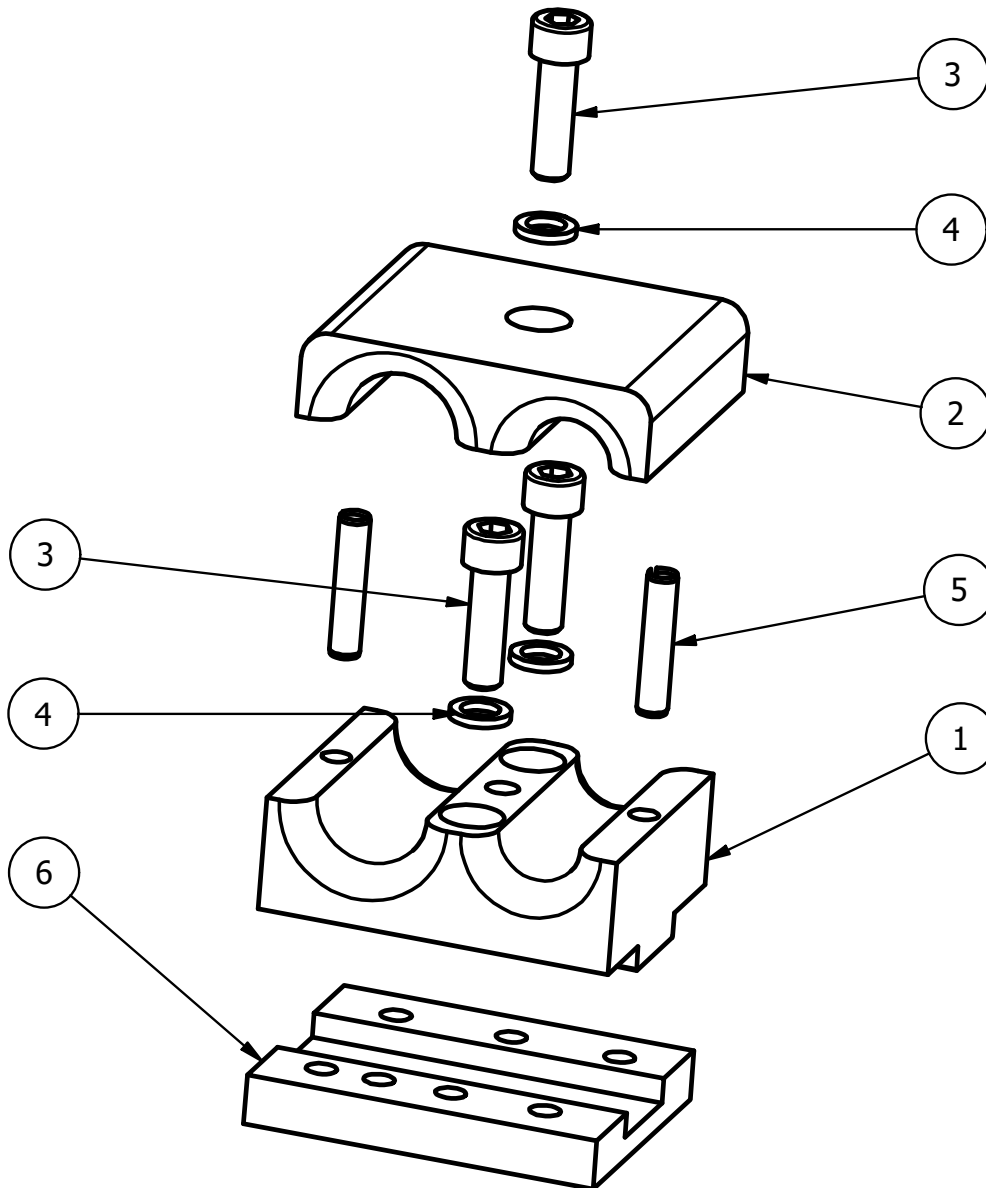


ITEM	PN#	NAME	QTY	UOM
1	OQ4119579	LOWER HOSE CLAMP 3/4"	1	EA
2	OQ4119578	UPPER HOSE CLAMP 3/4"	1	EA
3	OQ7089026	RESILIENT PIPE PIN FRP DIN 1481 8X40	2	EA
4	50-00682	WASHER NORDLOCK M10 - 16.6 X 2.5 1244	4	EA
5	OQ7060110	SCREW MC6S M10x40 12.9	2	EA
6	OQ4119391	WELD PLATE, HOSE CLAMP	1	EA
7	OQ7060099	SH CS M10 - 1.50 X 35 Z_8.8	2	EA

## 2.0 - INSTALL COMPONENTS

### 2.1 - HOSE CLAMPS

#### 2.1.2 - OQ4119423 - HOSE CLAMP 1/2"+3/4"

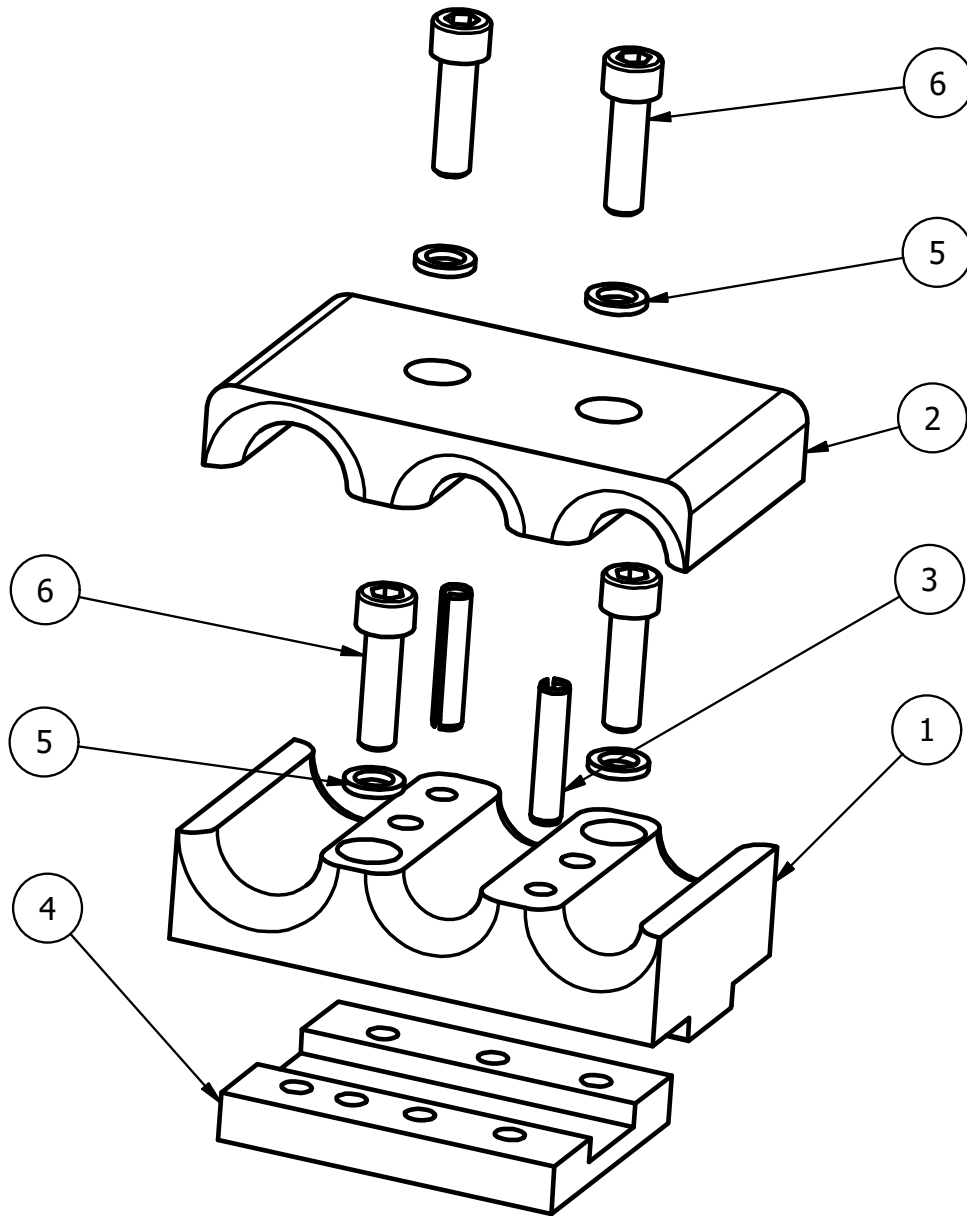


ITEM	PN#	NAME	QTY	UOM
1	OQ4119425	LOWER HOSE CLAMP 1/2" + 3/4"	1	EA
2	OQ4119424	UPPER HOSE CLAMP 1/2" + 3/4"	1	EA
3	OQ7060099	SCREW MC6S 10X35	3	EA
4	50-00682	WASHER NORDLOCK M10 - 16.6 X 2.5 1244	3	EA
5	OQ7089026	RESILIENT PIPE PIN FRP DIN 1481 8X40	2	EA
6	OQ4119391	WELDING PLATE	1	EA

## 2.0 - INSTALL COMPONENTS

### 2.1 - HOSE CLAMPS

#### 2.1.3 - OQ4124041 - HOSE CLAMP 3/4"+2x1/2"

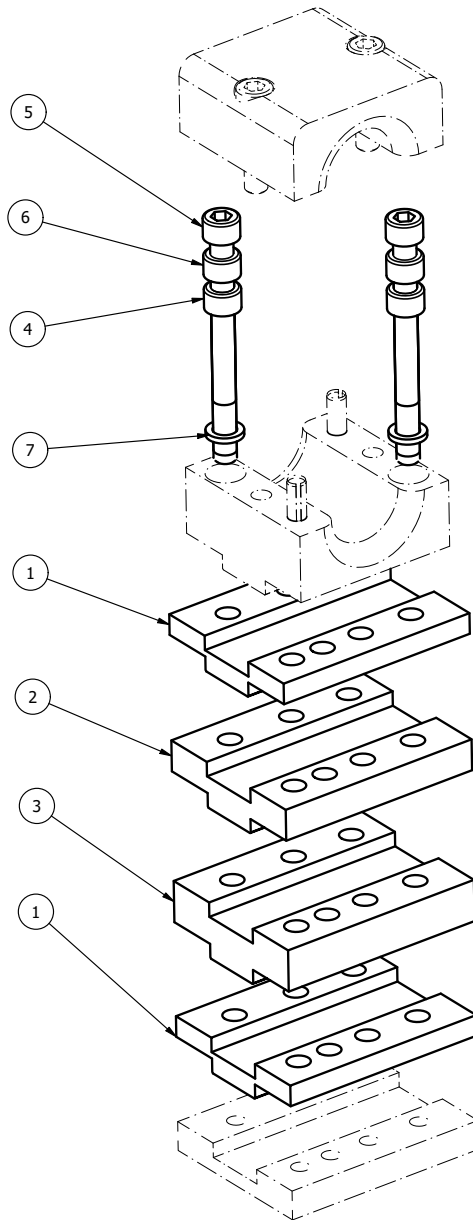


ITEM	PN#	NAME	QTY	UOM
1	OQ4124043	LOWER HOSE CLAMP 1/2" + 3/4"	1	EA
2	OQ4124042	UPPER HOSE CLAMP 1/2" + 3/4"	1	EA
3	OQ7089026	RESILIENT PIPE PIN FRP DIN 1481 8X40	2	EA
4	OQ4119391	WELDING PLATE, HOSE CLAMP	1	EA
5	50-00682	WASHER NORDLOCK M10 - 16.6 X 2.5 1244	4	EA
6	OQ7060099	SCREW MC6S 10X35	4	EA

## 2.0 - INSTALL COMPONENTS

### 2.1 - HOSE CLAMPS

#### 2.1.4 - OQ4119458 - SPACER KIT HOSE CLAMP 35/45/55MM

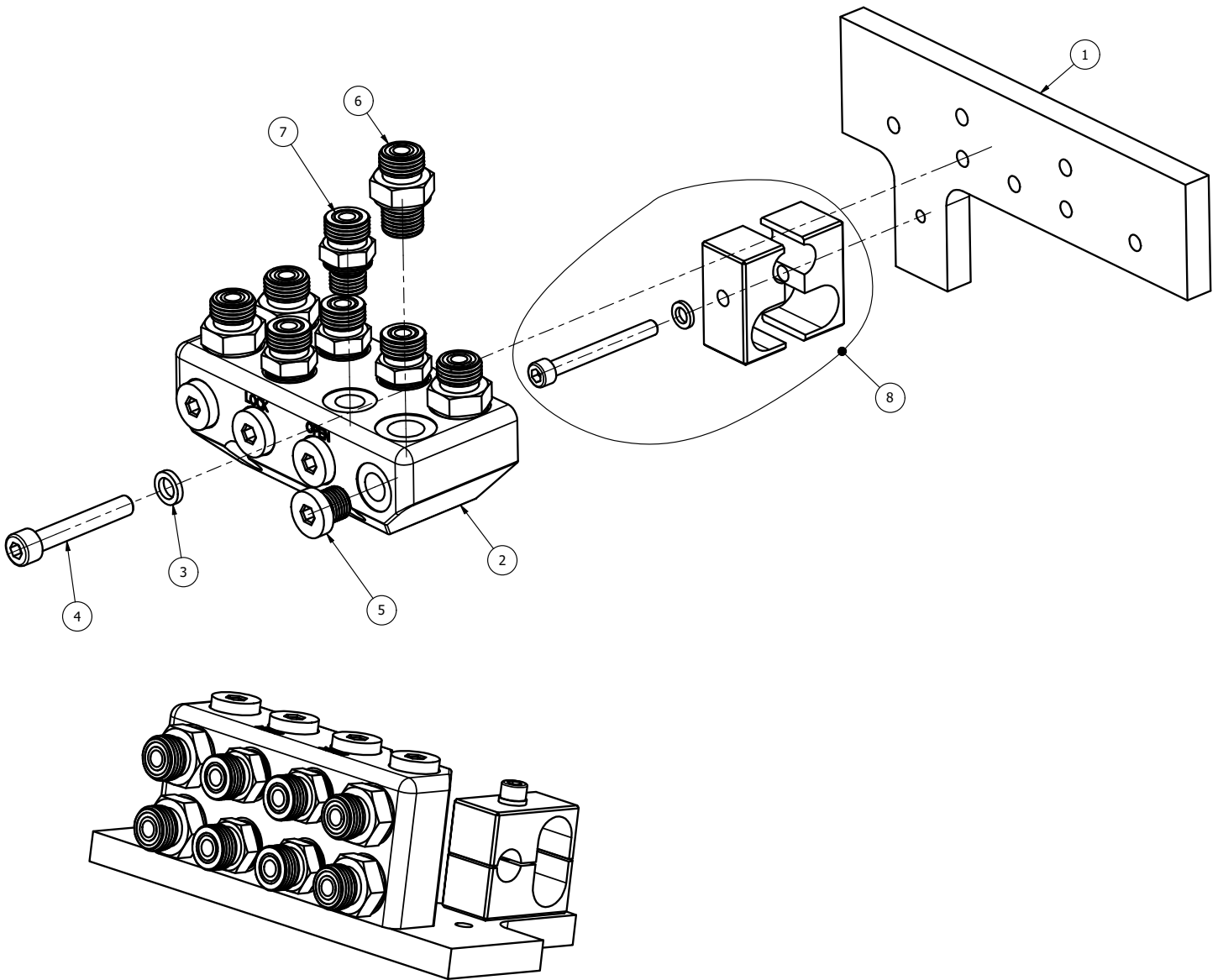


ITEM	PN#	NAME	QTY	UOM
1	OQ4119392	SPACER 10MM, HOSE CLAMP	2	EA
2	OQ4119393	SPACER 15MM, HOSE CLAMP	1	EA
3	OQ4119459	SPACER 20MM, HOSE CLAMP	1	EA
4	OQ7060146	SCREW MC6S M10x70 12,9	2	EA
5	OQ7060205	SCREW MC6S M10x80 12.9	2	EA
6	OQ7060177	SHCS MC6S M10-1.50 x90 12.9	2	EA
7	50-00682	WASHER NORDLOCK M10 - 16.6 X 2.5 1244	2	EA



## 2.0 - INSTALL COMPONENTS

### 2.2 - OQ5113011 - GUIDE BLOCK OQ65

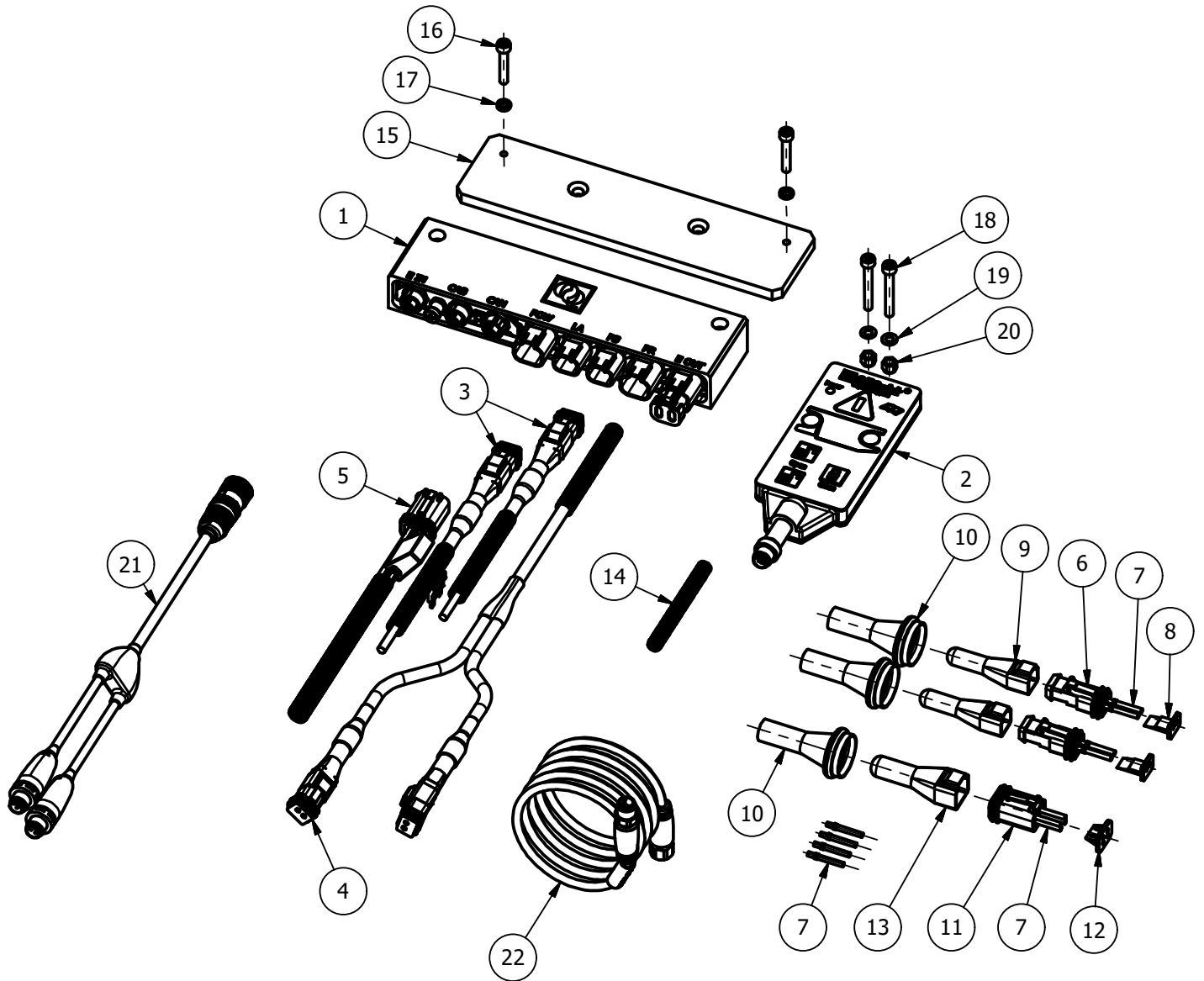


ITEM	PN#	NAME	QTY	UOM
1	OQ4115481	BRACKET, LOCKING CIRCUIT	1	EA
2	OQ4120313	HYDR.BLOCK, LOCK- & 1/2" FUNCTIONS	1	EA
3	50-00773	WASHER NORDLOCK M8 - 13.5 X 2.5 1231	2	EA
4	OQ7060056	SCREW MC6S M8 - 1.25 x 80 12.9	2	EA
5	OQ7200283	FTG-HYD 04MBSPP PLUG SEAL E	4	EA
6	OQ7200249	NIPPLE ORFS08 UF-M16x1,5 UF	4	EA
7	OQ7200213	NIPPLE ORFS06 UF-M14x1,5 UF	4	EA
8	OQ5180161	CABLE CLAMP KIT - 13MM + 2X18MM	1	EA



### 3.0 - LOCK SUPPORT

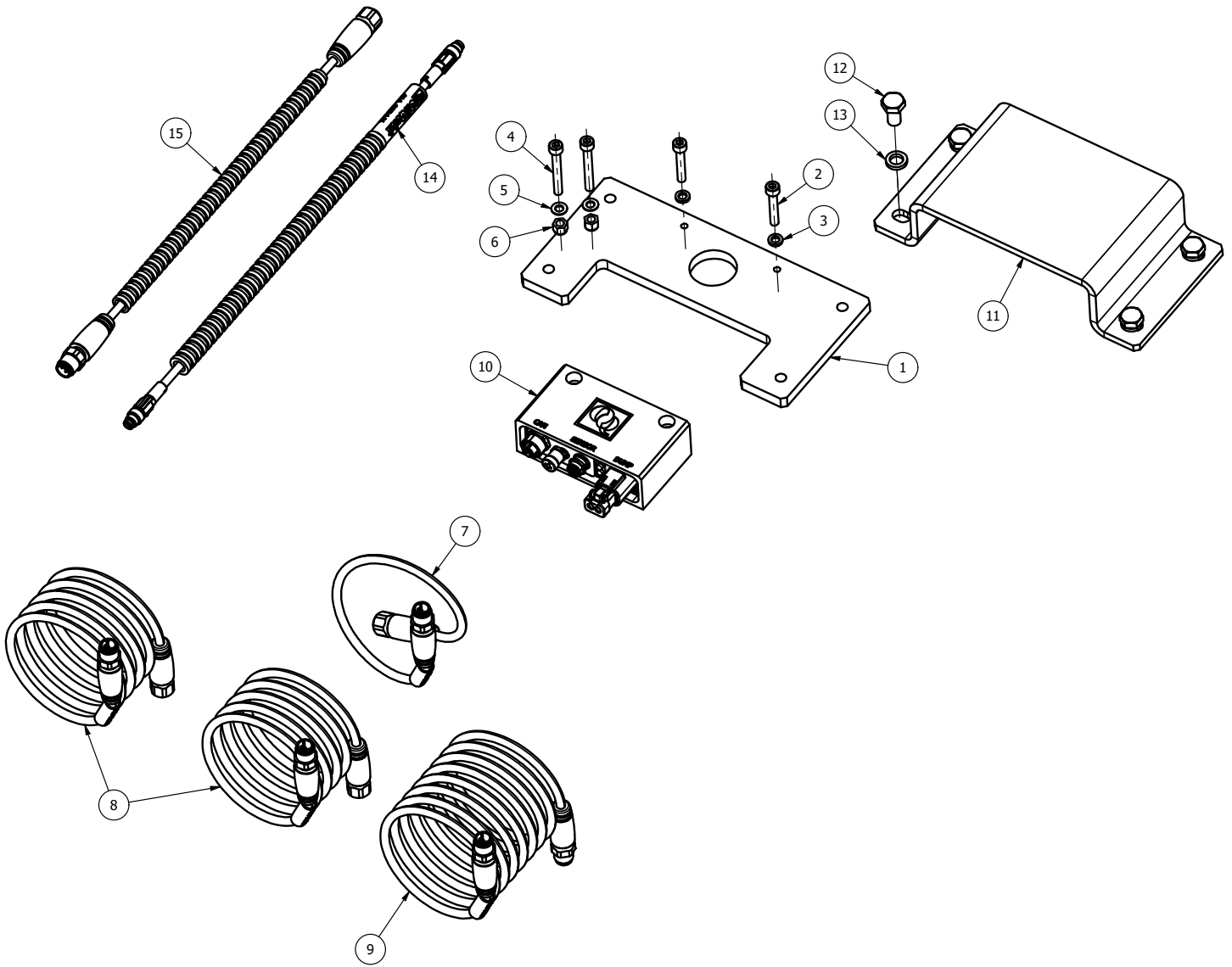
#### 3.1 - OQ5190261 - CONTROL SYSTEM OQLS 2.0 OQ40-OQ120



ITEM	PN#	NAME	QTY	UOM
1	OQ4131663	MASTER UNIT - OQLS 2.0 (SINGLE PRESS)	1	EA
2	OQ4126332	OQLS CABIN PANEL GEN 2 (NEW)	1	EA
3	OQ4121394	CABLE SET OQLS (PB/LOCK/PRESSURE)	2	EA
4	OQ4121393	CABLE DEPRESSURIZATION VALVE OQ80	1	EA
5	OQ4123140	CABLE POWER OQLS OQ, TLE	1	EA
6	30-00428	CONNECTOR PLUG DT06-2S-P012	2	EA
7	30-00348	CONNECTOR DEUTSCH SOCKET #16-14	12	EA
8	30-00337	CONNECTOR WEDGE W2S	2	EA
9	OQ7034133	PROTECTIVE HOOD DT2S-BT	2	EA
10	30-00697	1" X 48" BLK ADHESIVE LINED HEAT SHRINK	3	EA
11	30-00332	CONNECTOR PLUG DT06-4S	1	EA
12	30-00338	CONNECTOR WEDGE W4S	2	EA
13	OQ7034131	PROTECTIVE HOOD DT4S-BT	1	EA
14	OQ7034140	SPLIT LOOM	1	EA
15	OQ4124026	MOUNTING PLATE - MASTER UNIT	1	EA
16	OQ7060153	SCREW MC6S M5x30 12.9	2	EA
17	OQ7072033	WASHER NORDLOCK M5 - 9.0 X 1.8	2	EA
18	50-01095	SH CS M5 - 0.8 X 40 Z_12.9	2	EA
19	50-00422	WASHER M5 - 10.0 X 1.0 Z_H	2	EA
20	50-01096	NUT NYLOCK M5 - 0.8 Z_	2	EA
21	OQ7033002	CABLE - OQLS PANEL 6M (19' 6" LG)	1	EA
22	OQ7033073	CABLE - EXTENSION, CAB =2,0M M-F	1	EA

### 3.0 - LOCK SUPPORT

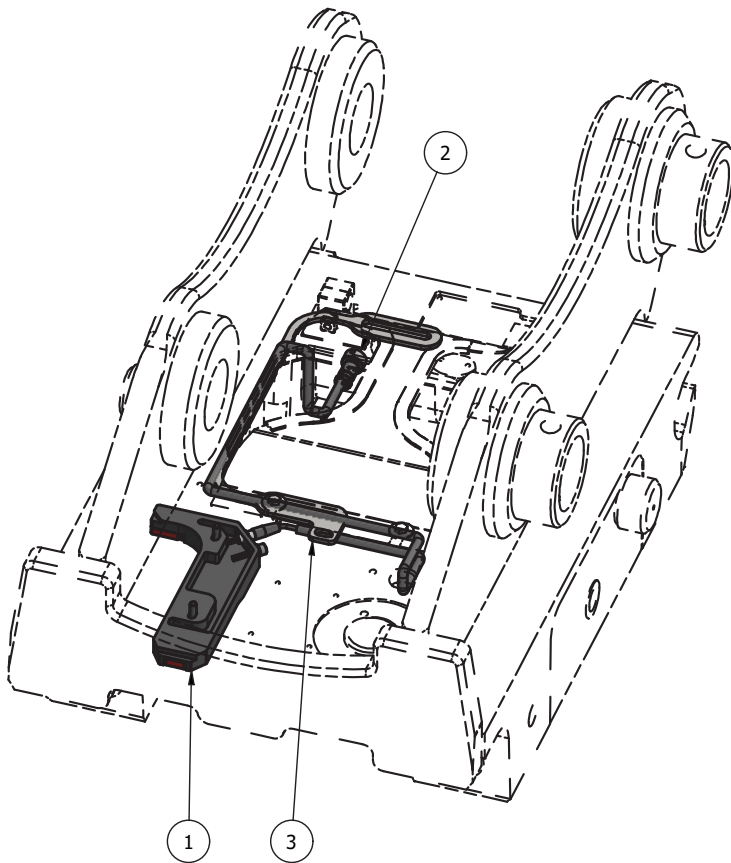
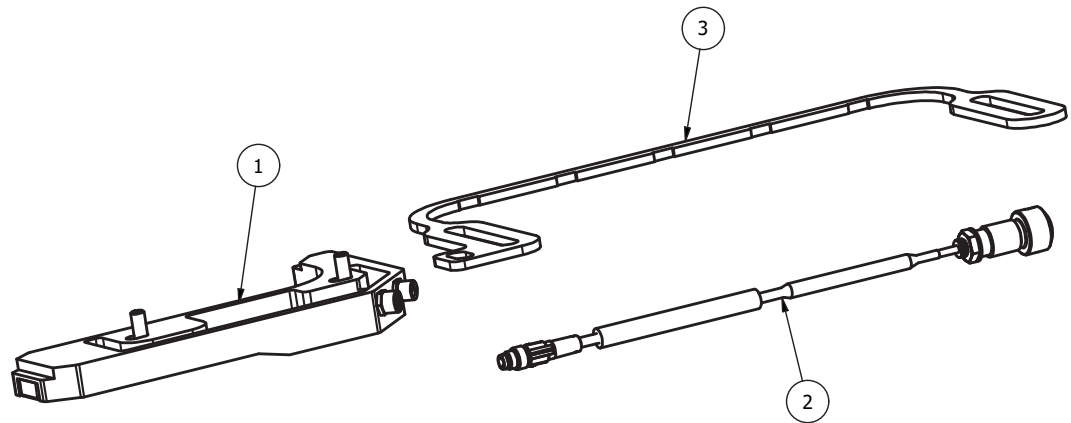
#### 3.2 - OQ5190267 - STICK UNIT KIT OQLS 2.0 12M OQ60-OQ65



ITEM	PN#	NAME	QTY	UOM
1	OQ4130698	WELD PLATE - STICK UNIT OQLS 2.0	1	EA
2	OQ7060153	SCREW MC6S M5x30 12.9	2	EA
3	OQ7072033	WASHER NORDLOCK M5 - 9.0 X 1.8	2	EA
4	50-01095	SH CS M5 - 0.8 X 40 Z_12.9	2	EA
5	50-00422	WASHER M5 - 10.0 X 1.0 Z_H	2	EA
6	50-01096	NUT NYLOCK M5 - 0.8 Z_	2	EA
7	OQ7033068	CABLE - OQLS EXTENSION, BOOM L=0,5M M-F	1	EA
8	OQ7033070	CABLE - OQLS EXTENSION, BOOM L=2,0M M-F	2	EA
9	OQ7033061	CABLE-OQLS CANBUS L=12M M12 M-M (39'4")	1	EA
10	OQ4131384	STICK UNIT - OQLS 2.0	1	EA
11	OQ4130699	PROTECTION COVER - STICK UNIT OQLS 2.0	1	EA
12	OQ7060004	SCREW M6S M8 - 1.25 x 16 8.8 FZB	4	EA
13	50-00773	WASHER NORDLOCK M8 - 13.5 X 2.5 1231	4	EA
14	OQ5190231	CABLE - SENSOR OQLS 2.0 3M	1	EA
15	OQ7033095	EXTENSION CABLE - OQLS 2.0 1M M/F M8	1	EA

## 3.0 - LOCK SUPPORT

### 3.3 - OQ5190346 - OQ65 OQLS 2.0 SENSOR KIT

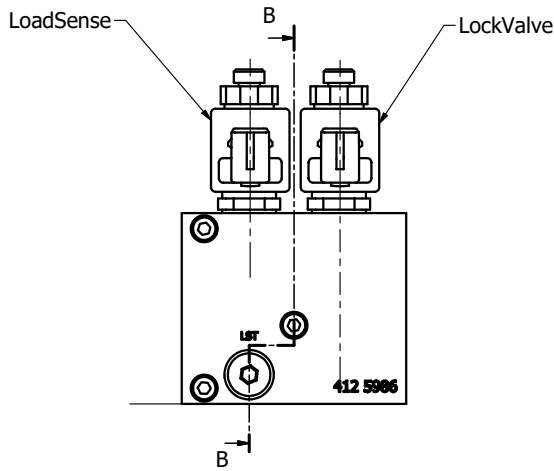


ITEM	PN#	NAME	QTY	UOM
1	OQ4131065	REAR SENSOR (CHASSIS) OQLS 2.0 OQ65	1	EA
2	OQ5190250	FRONT SENSOR OQLS 2.0 OQ65, OQRAIL, OQ70	1	EA
3	OQ4133173	MOUNTING PLATE OQLS 2.0 OQ65	1	EA

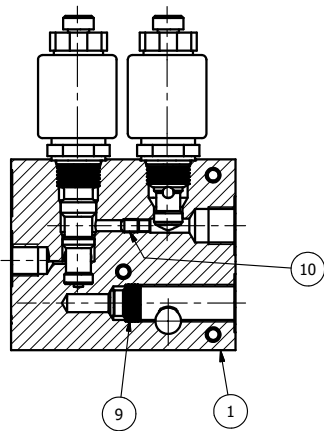


### 3.0 - LOCK SUPPORT

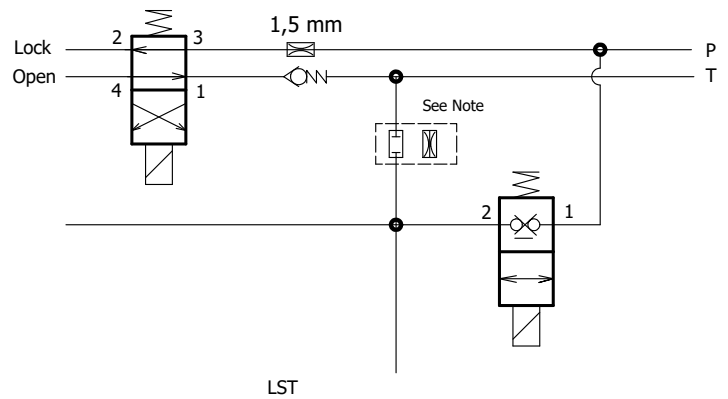
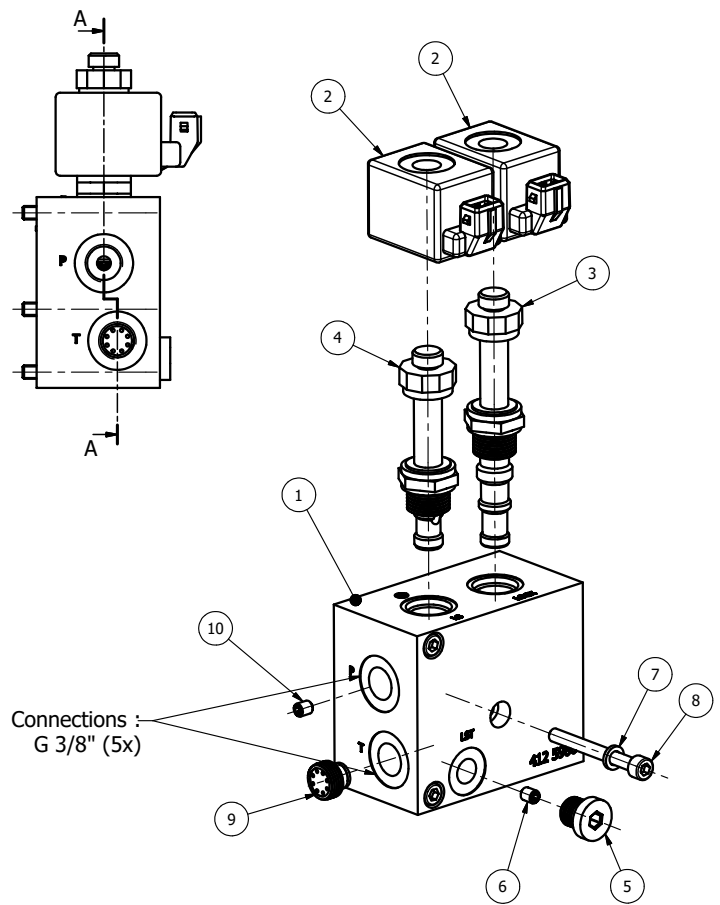
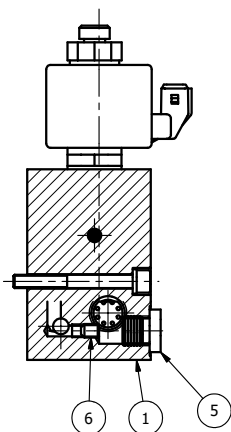
#### 3.4 - OQ4120613 - VALVE - LOCK/OPEN POWERBOOST



A-A



B-B



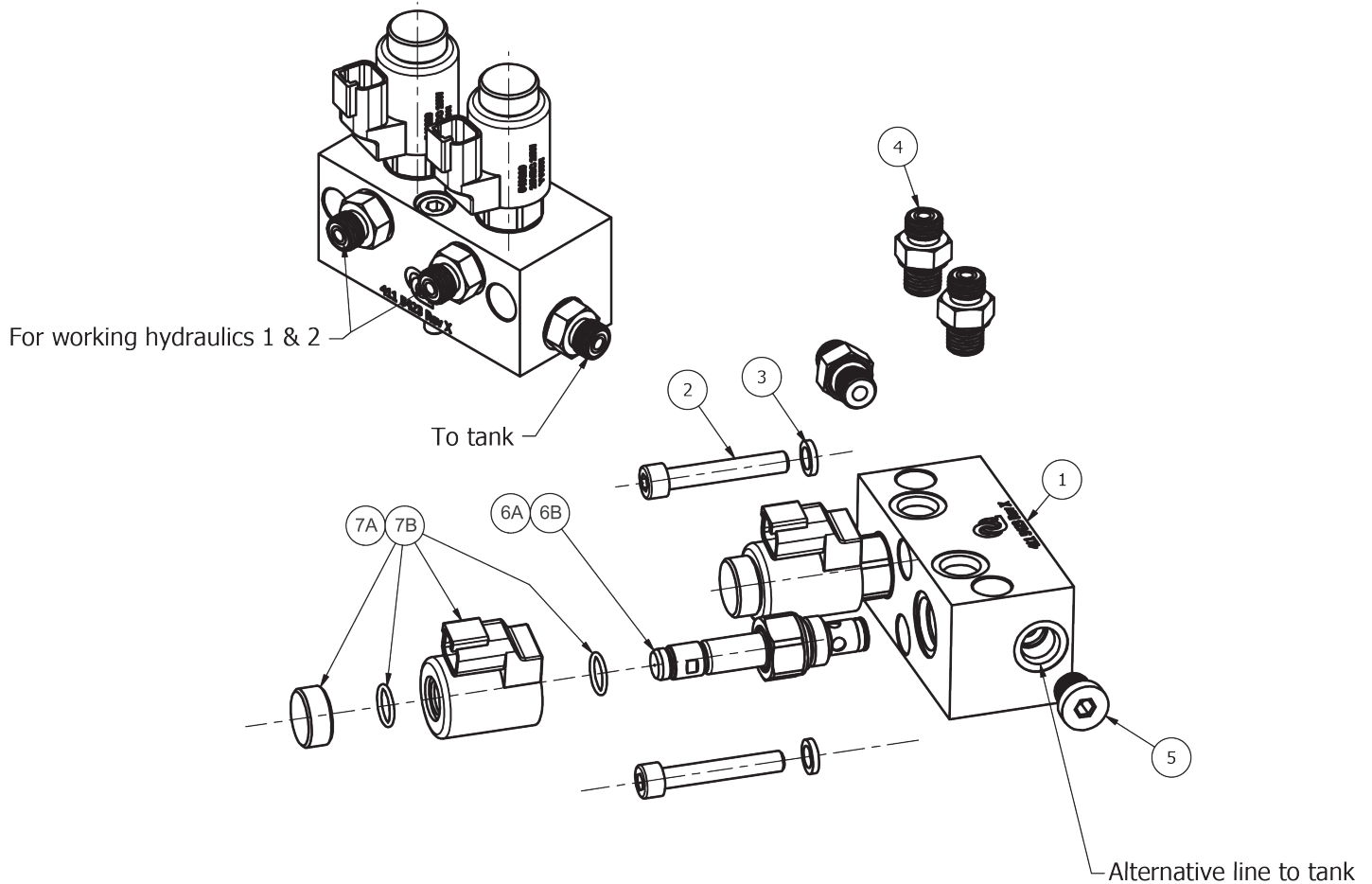
Via the plug LST, the stop screw can be removed and replaced with an M6 throttle. This may be necessary for the LS signal to function correctly.

Hydraulic components Cleanliness requirements according to OQ 600 0109

ITEM	PN#	NAME	QTY	UOM
1	OQ4125986	LOCK - POWERBOOST VALVE BLOCK	1	EA
2	OQ7005057	SOLENOID 24V LOCK-POWER BOOST VALVE	2	EA
3	OQ7005053	VALVE CARTRIDGE 6/2 (LOCKING SIDE)	1	EA
4	OQ7005054	VALVE CARTRIDGE 2/2 (POWERBOOST SIDE)	1	EA
5	OQ7200283	PLUG G1/4" ED	1	EA
6	OQ7060011	SCREW SK6SS M6x8	1	EA
7	50-00905	WASHER NORDLOCK M6 - 10.8 X 1.8 1519	3	EA
8	OQ7060076	SCREW MC6S M6x55 12.9	3	EA
9	OQ7009024	LOCK - POWER BOOST CHECK VALVE	1	EA
10	OQ4125987	M6 ORIFICE (1.5MM)	1	EA

### 3.0 - LOCK SUPPORT

#### 3.5 - OQ4123124 - VALVE - DEPRESSURIZATION 24V DT



ITEM	PN#	NAME	QTY	UOM
1	OQ4115423	HYDRAULIC BLOCK, DEPRESSURIZING KIT	1	EA
2	OQ7060056	SCREW MC6S M8 - 1.25 x 80 12.9	2	EA
3	OQ7072021	WASHER NORDLOCK M8	2	EA
4	OQ7200207	NIPPLE ORFS04 UF-M14x1.5 UF	3	EA
5	OQ7200214	PLUG M14x1,5	2	EA
6A	OQ7005082	VALVE CARTRIDGE 2/2	2	EA
6B	OQ7005069	VALVE CARTRIDGE 2/2 PRV PARKER	2	EA
7A	OQ7005083	SOLENOID 28V, DT, DEPRESSURIZING (ROUND)	2	EA
7B	OQ7005070	SOLENOID 28V, DT, DEPRESSURIZING (SQUARE)	2	EA

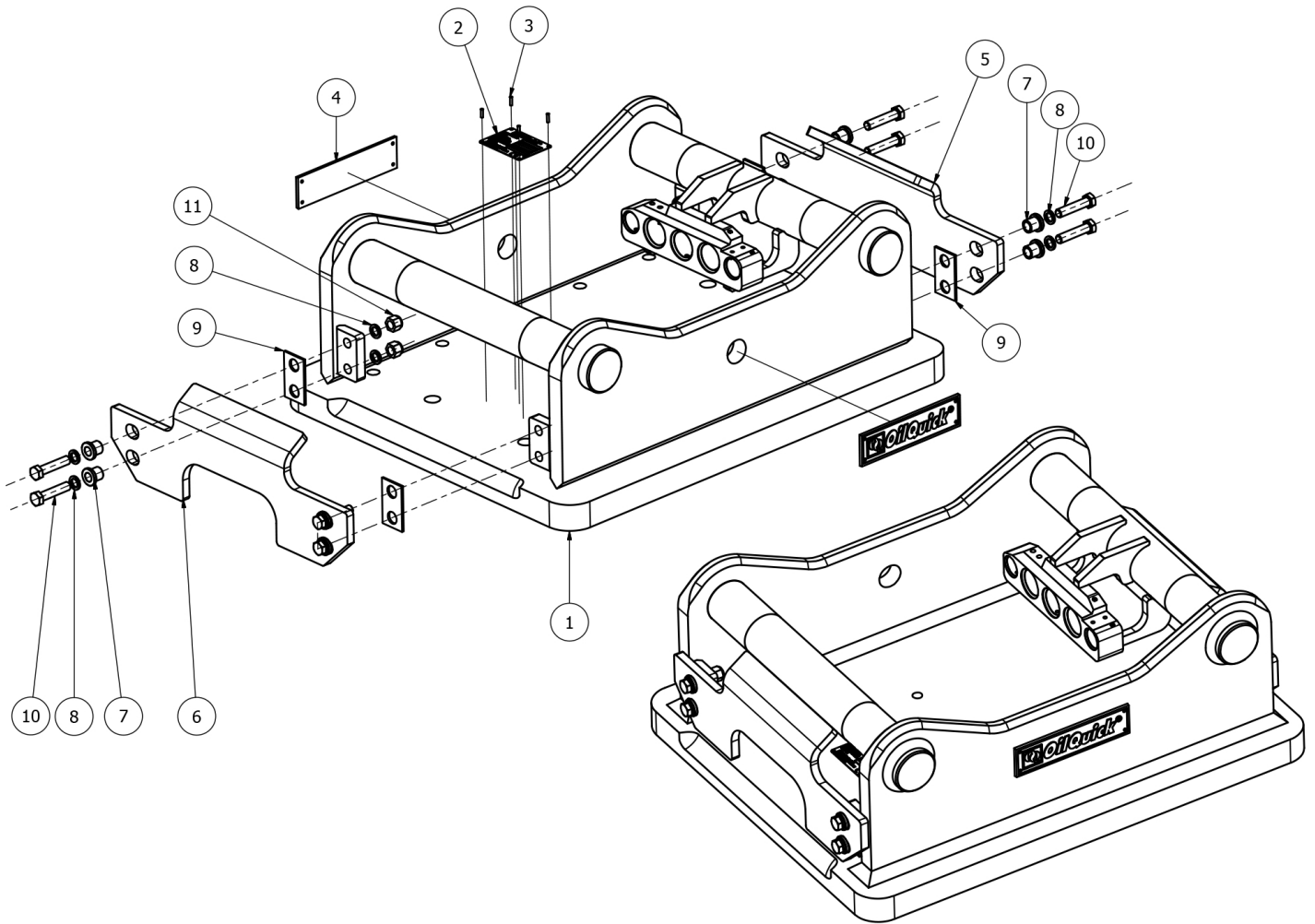
### 3.0 - LOCK SUPPORT

#### 3.6 - OQ5110981 - FIRST AID KIT OQ60 OQ65 OQL310 OQL410

ITEM	PN#	NAME	QTY	UOM
1	OQ7020130	NOSE SEAL 1/2"	4	EA
2	OQ7020131	NOSE SEAL 3/4"	4	EA
3	OQ4112220	PUSHER 1/2"	1	EA
4	OQ4112221	PUSHER 3/4"	1	EA
5	OQ4116298	MOUNTING TOOL 1/2"	1	EA
6	OQ4116296	MOUNTING TOOL 3/4"	1	EA
7	OQ7410094	DECAL FIRST AID KIT	1	EA
8	OQ7406065	FIRST AID KIT BOX	1	EA

## 4.0 - ATTACHMENT FRAME

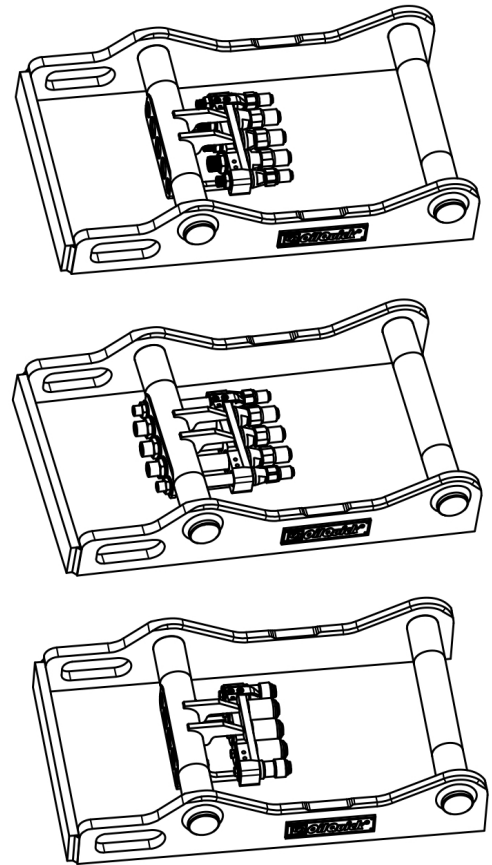
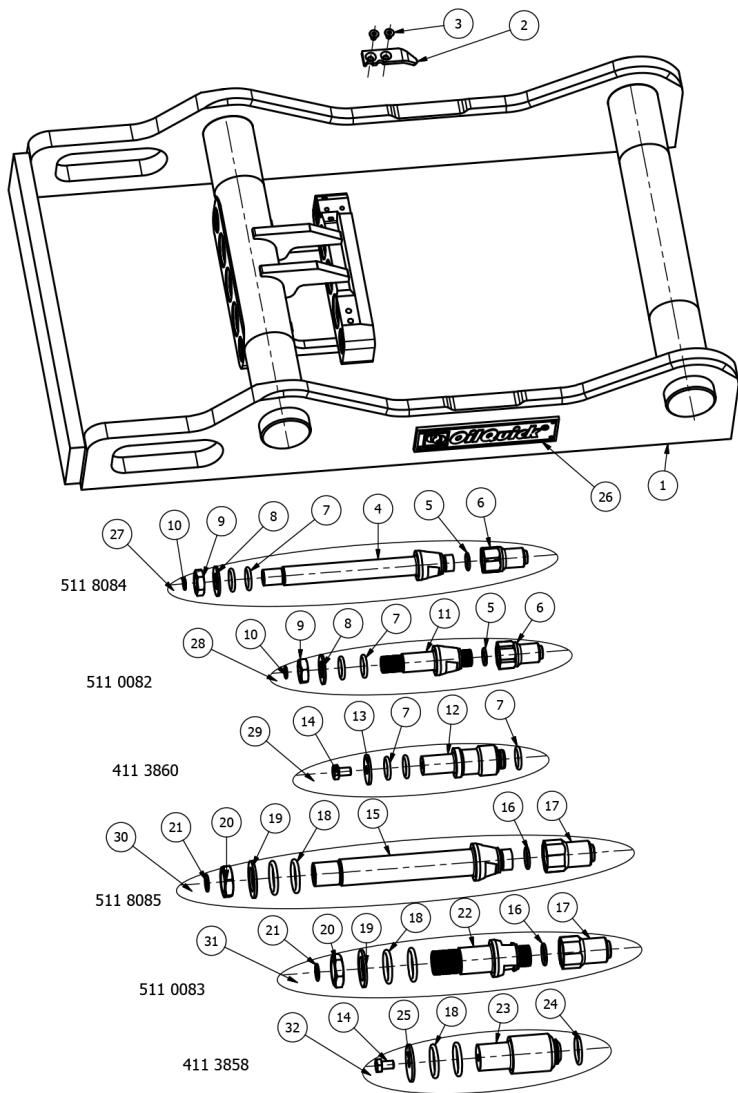
### 4.1 - OQ4120617 - D-FRAME



ITEM	PN#	NAME	QTY	UOM
1	OQ412xxxx	ATTACHMENT FRAME	1	EA
2	OQE04743	SERIAL TAG - OILQUICK AMERICAS	1	EA
3	OQ7093007	RIVET POP 3.2 x12.3 ALUMINUM	4	EA
4	OQ4116145	EMBLEM - OILQUICK - OQ45-OQ65	2	EA
5	OQ4120345	PROTECTION PLATE - OQ65 SOLID	1	EA
6	OQ4120344	PROTECTION PLATE - OQ65 CUTOUT	1	EA
7	OQ4120324	SLEEVE - PROTECTION PLATE TOOL ADAPT	8	EA
8	OQ7072007	WASHER NORDLOCK M12-19.5 X 2.5 1262	16	EA
9	OQ4120567	RUBBER SPACER OQ60-70/55	4	EA
10	OQ7060217	HH CS M12 x 55 8.8_FZB	8	EA
11	OQ7065005	NUT- M12 NYLOCK	8	EA

# 4.0 - ATTACHMENT FRAME

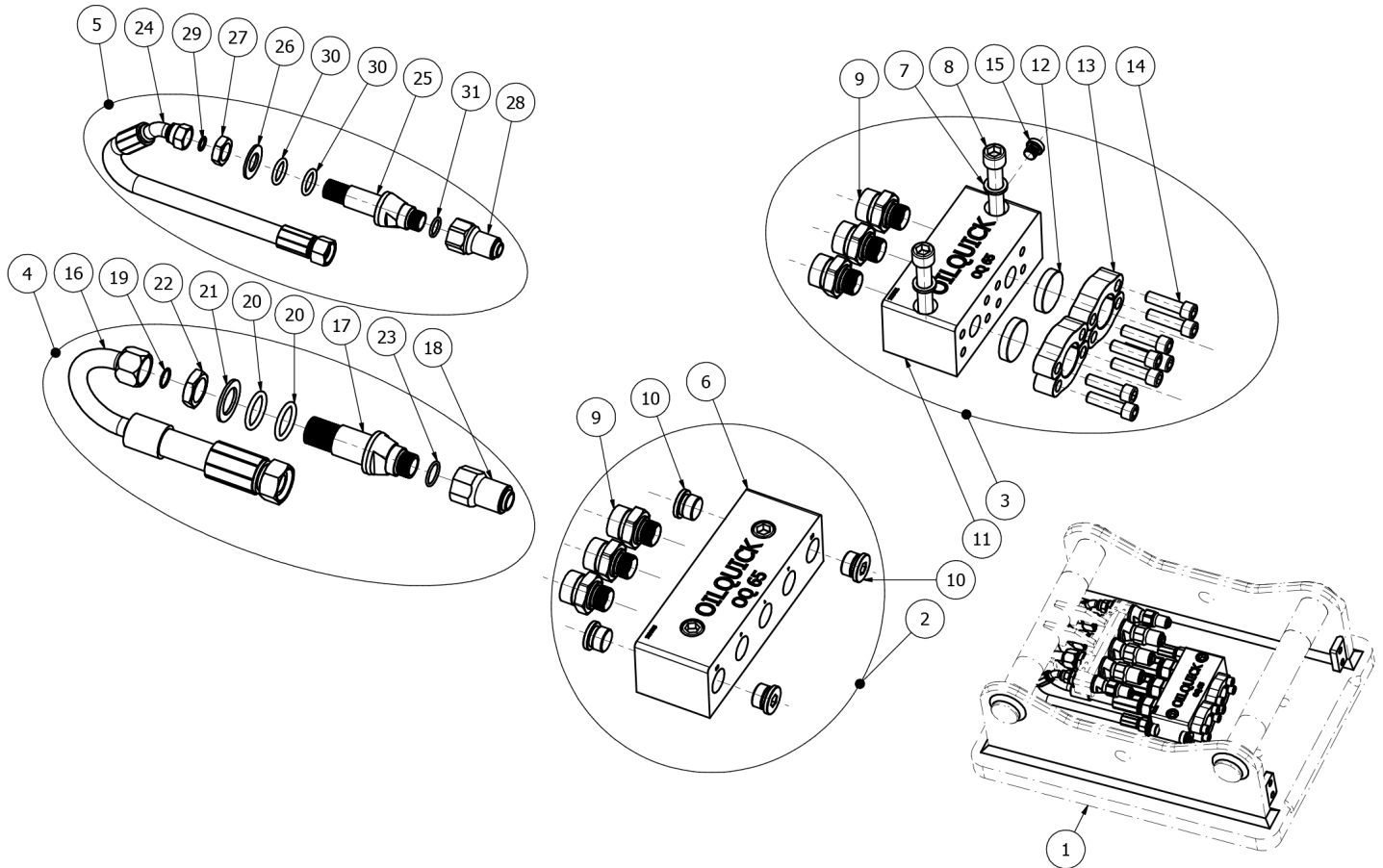
## 4.2 - OQ4116385 - C-FRAME



ITEM	PN#	NAME	QTY	UOM
1	OQ4116384	OQ65 C-FRAME - BLANK	1	EA
2	OQ4113764	DEFLECTOR OQ60-65 OQC65	1	EA
3	OQ7060145	SCREW MF6S M6x10 10.9 OBH	2	EA
4	OQ4116380	BULKHEAD 1/2" LONG OQ65	2	EA
5	OQ7160048	O-RING 17,6x2,62 NBR70	4	EA
6	OQ7206017	HYDRAULIC COUPLING 1/2", MALE	2	EA
7	OQ7160031	RUBBER RING 22x4	6	EA
8	OQ4112316	WASHER 0.750 - 1.49 X 0.12 P	2	EA
9	OQ4112399	NUT 13/16"-16UN, T=9	2	EA
10	OQ7160045	O-RING-014 -08MO (12,42x1,78) NBR 90D	2	EA
11	OQ4113765	BULKHEAD 1/2" SHORT OQ65	2	EA
12	OQ4113859	POLY ADAPTER 1/2"	2	EA
13	OQ4112660	WASHER 1/2"	2	EA
14	OQ7060118	SCREW	5	EA
15	OQ4116379	BULKHEAD 3/4" LONG OQ65	3	EA
16	OQ7160049	O-RING 23,47x2,62 NBR70	6	EA
17	OQ7206019	HYDRAULIC COUPLING 3/4", MALE	3	EA
18	OQ7160043	O-RING 34x5 NBR 70	6	EA
19	OQ4112315	WASHER 1.188 - 1.88 X 0.12 P	3	EA
20	OQ4112398	NUT 1 3/16"-12UN, T=10,5	3	EA
21	OQ7160046	O-RING-018 -12MO (18,77x1,78) NBR 90D	3	EA
22	OQ4113766	BULKHEAD 3/4" SHORT OQ65 DRT GUARD	3	EA
23	OQ4113857	POLY ADAPTER 3/4"	3	EA
24	OQ7160032	RUBBER RING 30x4	3	EA
25	OQ4112659	WASHER 3/4"	3	EA
26	OQ4116145	EMBLEM - OILQUICK - OQ45-OQ65	2	EA
27	OQ5118084	COUPLING KIT 1/2" LONG OQ65	2	EA
28	OQ5110082	COUPLING KIT 1/2" OQ65 NO BLOCK	2	EA
29	OQ4113860	POLY ADAPTER 1/2" OQ60-OQ65	2	EA
30	OQ5118085	COUPLING KIT 3/4" LONG OQ65	3	EA
31	OQ5118083	COUPLING KIT 3/4" SHORT OQ65	3	EA
32	OQ4113858	POLY ADAPTER 3/4" OQ60-65	3	EA

## 4.0 - ATTACHMENT FRAME

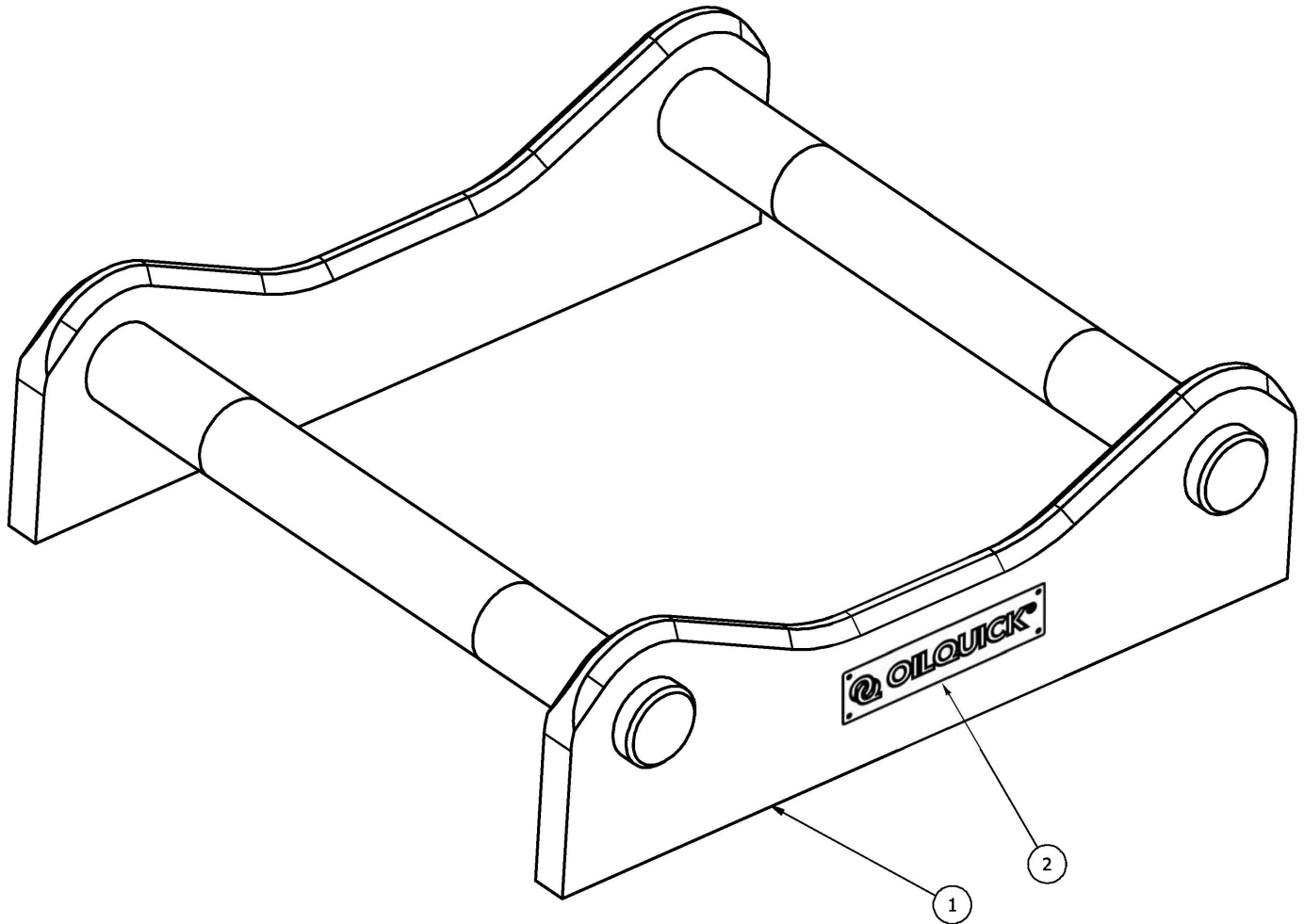
### 4.3 - OQ4122410 - SPLIT BLOCKS



ITEM	PN#	NAME	QTY	UOM
1	OQ411xxxx	TOOL ADAPTER	1	EA
2	OQ5118015	DEFLECTOR OQ60-65 OQC65	1	EA
3	OQ5118014	SCREW MF6S M6x10 10.9 OBH	1	EA
4	OQ5110124	COUPLING KIT 3/4" OQ65 BLOCK	3	EA
5	OQ5110123	COUPLING KIT 1/2" OQ65 BLOCK	2	EA
6	OQ7200290	HYDR.BLOCK 3x3/4", 2x1/2"	1	EA
7	OQ7072034	NORDLKM16 - 25.4 X 3.3 1536	2	EA
8	OQ7060111	SH CS M16 - 2.00 x 80 12.9	2	EA
9	OQ7200297	NIPPLE 25S-G3/4" UF ED	3	EA
10	OQ7091010	PLUG G3/4" ED	4	EA
11	OQ7200289	SPIT BLOCK 3x3/4"-SAE6 1 1/4"	1	EA
12	OQ7207012	PLASTIC PLUG, SAE6 FLANGE 1"	2	EA
13	OQ7207011	SAE6 FLANGE 1"	4	EA
14	OQ7060097	SH CS M12 - 1.75 x 45 12.9	8	EA
15	OQ7200283	FTG-HYD 04MBSPP PLUG SEAL E	1	EA
16	OQ7150219	HYDRAULIC HOSE/PIPE 3/4"	3	EA
17	OQ4113766	BULKHEAD 3/4" SHORT OQ65	3	EA
18	OQ7206019	HYDRAULIC COUPLING 3/4", MALE	3	EA
19	OQ7160049	O-RING 23,47x2,62 NBR70	3	EA
20	OQ7160043	O-RING 34x5 NBR 70	6	EA
21	OQ4112315	WASHER 1.188 - 1.88 X 0.12 P	3	EA
22	OQ4112398	NUT 1 3/16"-12UN, T=10,5	3	EA
23	OQ7160046	O-RING-018 -12MO (18,77x1,78) NBR 90D	3	EA
24	OQ7150218	HYDRAULIC HOSE 1/2" L=425	1	EA
25	OQ4113765	BULKHEAD 1/2" SHORT OQ65	1	EA
26	OQ4112316	WASHER 0.750 - 1.49 X 0.12 P	1	EA
27	OQ4112399	NUT 13/16"-16UN, T=9	1	EA
28	OQ7206017	HYDRAULIC COUPLING 1/2", MALE	1	EA
29	OQ7160045	O-RING-014 -08MO (12,42x1,78) NBR 90D	1	EA
30	OQ7160031	RUBBER RING 22x4	2	EA
31	OQ7160048	O-RING 17,6x2,62 NBR70	1	EA

## 4.0 - ATTACHMENT FRAME

### 4.4 - OQE05666 - OQ65 - MECHANICAL ATTACHMENT FRAME



ITEM	PN#	NAME	QTY	UOM
1	OQE00159	OQ65 - MECHANICAL ATTACHMENT FRAME	1	EA
2	OQ4116145	EMBLEM - OILQUICK - OQ45-OQ65	2	EA
3	OQE04831	INSTRUCTIONS MECHANICAL ATTACHMENT FRAME	1	EA



**Dealer:**



OilQuickAmericas  
155 Main Street  
Superior, WI 54880  
Phone: 262.607.8425  
Fax: 715.395.3703

E-mail: [info@oilquickamericas.com](mailto:info@oilquickamericas.com)  
Web: [www.oilquickamericas.com](http://www.oilquickamericas.com)