

Manufacturer:

OilQuickAmericas
155 Main Street
Superior, WI 54880
Phone: 262.607.8425
Fax: 715.395.3703

E-mail: info@oilquickamericas.com
Web: www.oilquickamericas.com

When ordering spare parts:

- Include the part number, description and desired quantities.
- Include your complete address.
- Specify how the parts are to be delivered.

TABLE OF CONTENTS

OQ90

1.0 - QUICK COUPLER

1.1 - OQ90 COUPLER	4
1.2 - SPLIT BLOCKS FOR H-CYLINDER	8

2.0 - INSTALL COMPONENTS

2.1 - HOSE CLAMPS	10
2.1.1 - OQ4119450 - HOSE CLAMP 1 1/4"	10
2.1.2 - OQ4129699 - HOSE CLAMP 1 1/4"+3/4"	11
2.1.3 - OQ4123919 - HOSE CLAMP 1 1/4"+1"	12
2.1.4 - OQ4119458 - SPACER KIT HOSE CLAMP 35/45/55MM	13
2.2 - Q5110941 - GUIDE BLOCK MANIFOLD	14

3.0 - LOCK SUPPORT

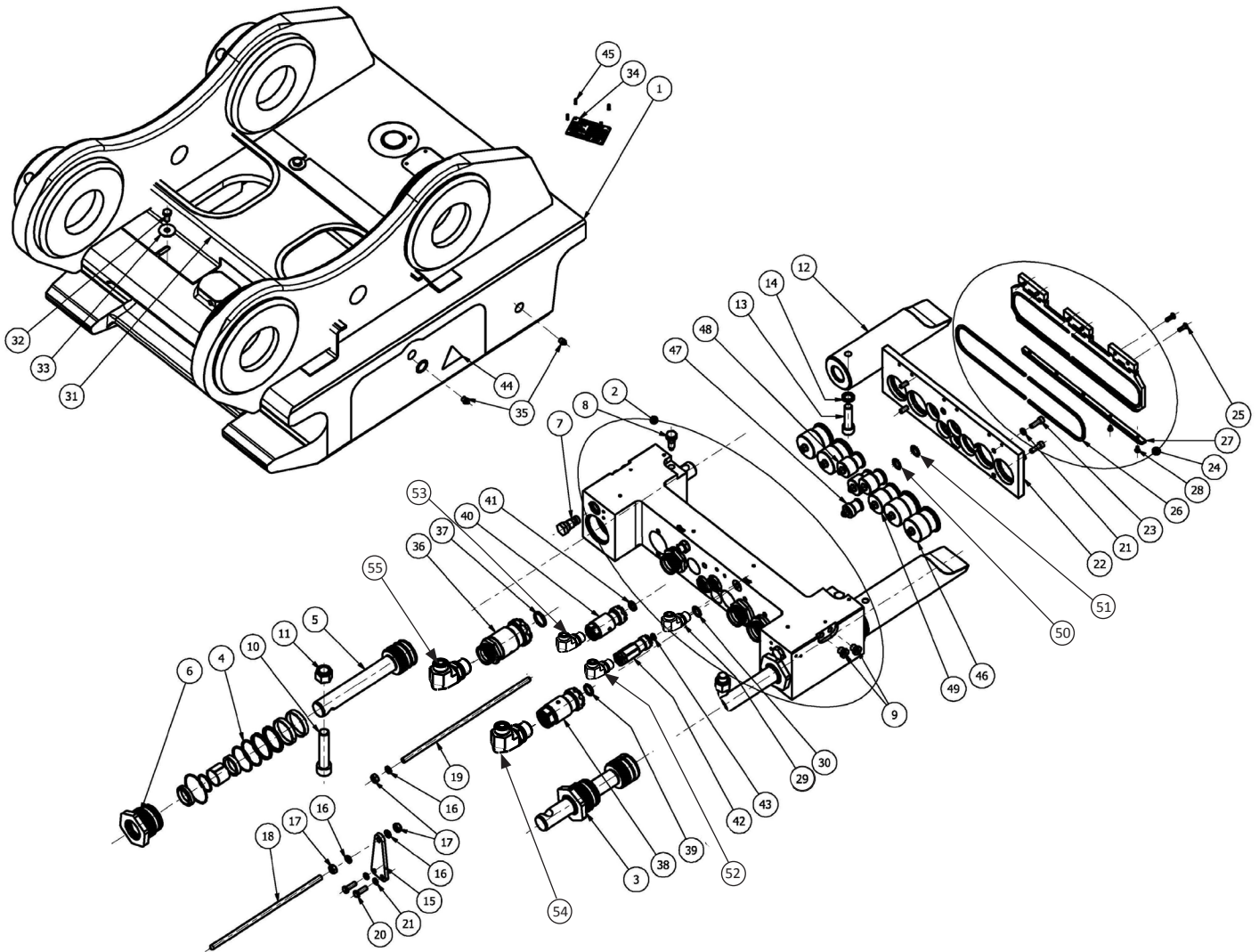
3.1 - OQ5190261 - OQLS INSTALLATION KIT	16
3.2 - OQ5190268 - STICK UNIT KIT CABLE KIT	18
3.3 - OQ5190344 - SENSOR KIT	20
3.4 - OQ4120613 - LOCK VALVE	22
3.5 - OQ4123124 - DEPRESSURIZATION VALVE	24
3.6 - OQ5113699 - FIRST AID KIT OQ90	25

4.0 - ATTACHMENT FRAMES

4.1 - OQ4120604 - D-FRAME	26
4.2 - OQ4117997 - C-FRAME	28
4.3 - OQ4119967 - SPLIT BLOCKS	32
4.4 - OQE05141 - MECHANICAL FRAME	35

1.0 - COUPLER

1.1 - OQ90 COUPLER

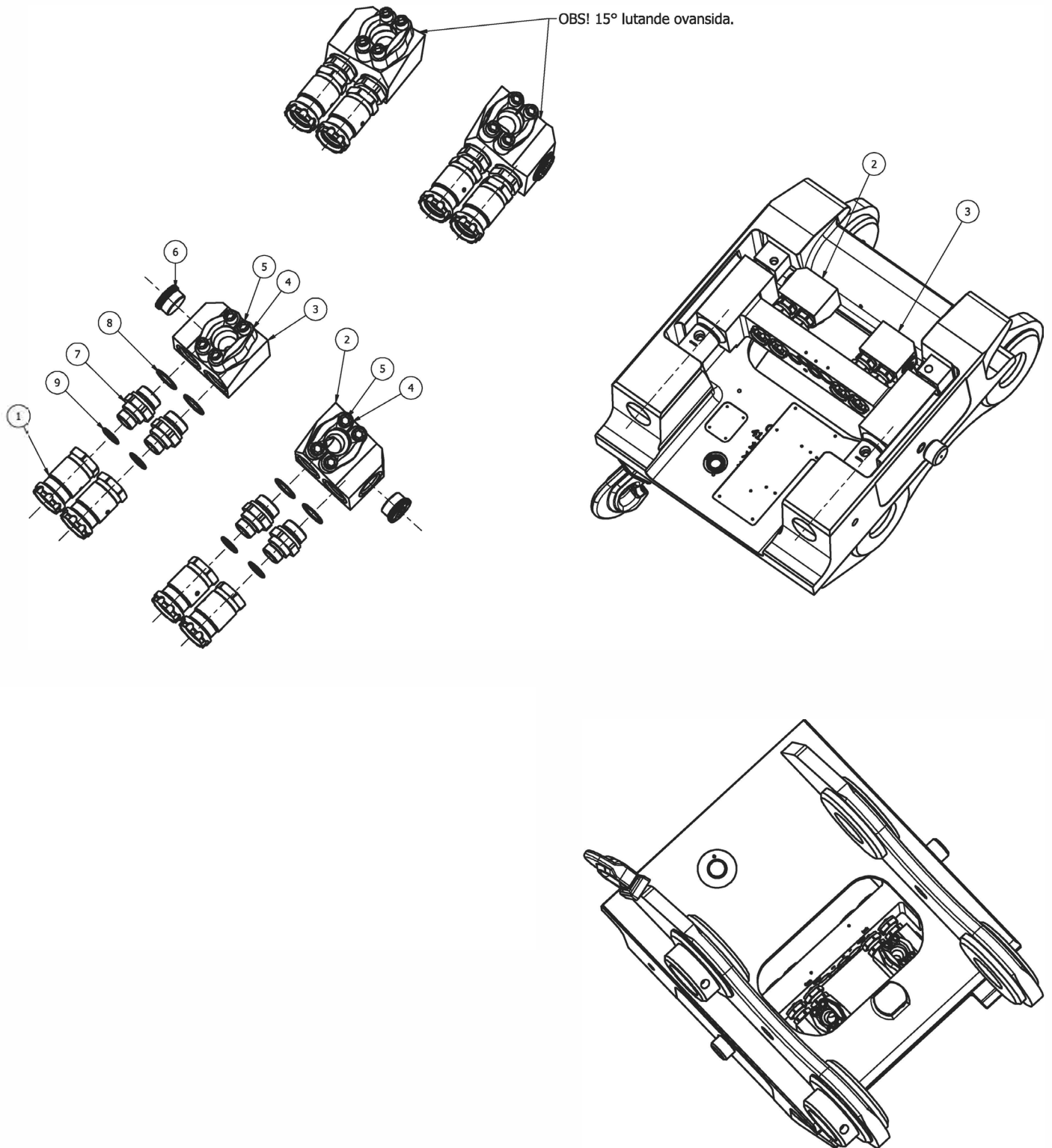


ITEM	PN#	NAME	QTY	UOM
1	-	QUICK COUPLER	1	EA
2	OQ4120340	H-CYLINDER OQ90	1	EA
3	OQ4120339	PISTON ROD H-CYL. OQ90 COMPL.	2	EA
4	OQ7020219	SEALING KIT H-CYL. OQ 90	1	EA
5	OQ4120337	PISTON ROD	2	EA
6	OQ4120338	PISTON GUIDE	2	EA
7	OQ7009012	CHECK VALVE 4CK30-I-S3-A9	1	EA
8	OQ7008004	PRESSURE RELIEF VALVE	1	EA
9	OQ7200117	PLUG G1/4" UF	2	EA
10	OQ7060161	SCREW MC6S M20x100 12.9	2	EA
11	OQ7065007	LOCKING NUT	2	EA
12	OQ4114794	LOCKING PLUNGER	2	EA
13	OQ7060159	SCREW	2	EA
14	OQ7072034	LOCKING WASHER	2	EA
15	OQ4114821	BRACKET FOR INDICATOR ROD	1	EA
16	OQ7072028	LOCKING WASHER	3	EA
17	OQ7065006	NUT M20 NYLOCK	3	EA
18	OQ4114820	INDICATOR PIN OQ90	1	EA
19	OQ4114819	OPENING BAR OQ90	1	EA
20	OQ7060008	SCREW M6S 8x25	2	EA
21	OQ7072021	WASHER NORDLOCK M8	6	EA
22	OQ4122024	OBS GUIDE PLATE OQ90	1	EA
23	OQ7060094	SCREW MC6S M8 - 1.25 x 25	4	EA
24	OQ4114818	DIRT GUARD OQ90	1	EA
25	OQ7060091	SCREW MF6S M6x20 10.9	6	EA
26	OQ4115211	RUBBER SEAL, DIRT GUARD	1	EA
27	OQ4115368	GUIDE	1	EA
28	OQ7060136	SCREW MF6S M5x10 10.9	5	EA
29	OQ7200099	NIPPLE G1/4" UF-M16x1,5 UF	2	EA
30	OQ7200155	SEAL WASHER M16	2	EA
31	OQ4116303	COVER PLATE	1	EA
32	OQ7060020	SCREW M6S M10x20 8.8 FZB	4	EA
33	OQ7072032	WASHER FNDR M8 - 35.0 X 2.0 Z	4	EA
34	OQ4118161	OILQUICK IDENTIFICATION PLATE	1	EA
35	OQ7205005	GREASE NIPPLE M10x1,5	4	EA

ITEM	PN#	NAME	QTY	UOM
36	OQ4118454	HYDRAULIC COUPLING 1" - M33, FEMALE	4	EA
37	OQ7020132	NOSE SEALING 1"	1	EA
38	OQ4118524	HYDRAULIC COUPLING 3/4", FEMALE	1	EA
39	OQ7020131	NOSE SEALING 3/4"	1	EA
40	OQ4118550	HYDRAULIC COUPLING 1/2", FEMALE	3	EA
41	OQ7020130	NOSE SEALING 1/2"	1	EA
42	OQ4118780	HYDRAULIC COUPLING 3/8", FEMALE -06FBSPP	1	EA
43	OQ7020270	NOSE SEALING 3/8"	1	EA
44	OQ7410059	PINCH DECAL	2	EA
45	OQ7093007	POP RIVET A 3,2 X 12,5	4	EA
46	OQ4121131	POLY ADAPTER 1", H-CYLINDER	4	EA
47	OQ4121140	POLY ADAPTER 1/4"+1/8" H-CYL	1	EA
48	OQ4121137	POLY ADAPTER 1/2", H-CYLINDER	3	EA
49	OQ4121134	POLY ADAPTER 3/4", H-CYLINDER	1	EA
50	OQ7170026	CIRCLIP SGA 24	1	EA
51	OQ4121984	WASHER SUPPORT 0.875 - 1.18 X 0.08 P	1	EA
52	OQ7200409	ELBOW ORFS06 UF-G3/8" UF 90° ADJ	1	EA
53	OQ7200227	ELBOW ORFS08 UF-M22x1,5 UF 90° ADJ	3	EA
54	OQ7200228	ELBOW ORFS12 UF-M27x2 UF 90° ADJ	1	EA
55	OQ7200229	ELBOW ORFS16 UF-M33x2 UF 90° ADJ	1	EA

1.0 - COUPLER

1.2 - SPLIT BLOCKS FOR H-CYLINDER

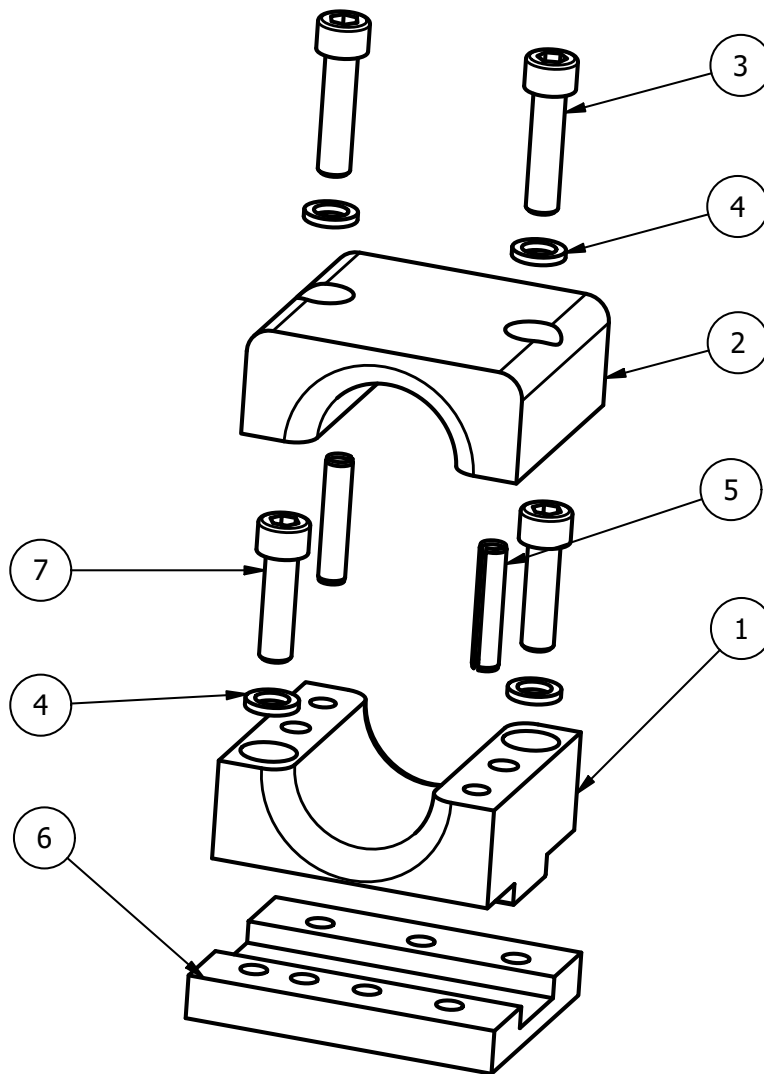


ITEM	PN#	NAME	QTY	UOM
1	OQ4118454	HYDRAULIC COUPLING 1" - M33, FEMALE	4	EA
2	OQ4117972	HYDRAULIC BLOCK, OQ90, L	1	EA
3	OQ4117971	HYDRAULIC BLOCK, OQ90, R	1	EA
4	OQ7207006	SAE FLANGE 1 1/4"	2	EA
5	OQ7060197	SCREW MC6S M14x50 12.9	8	EA
6	OQ7200239	PLUG VSTI M42 X 2	2	EA
7	OQ4117973	NIPPLE M33x2-M42x2 (ISO 6149-2)	4	EA
8	40-03386	O-RING 38.6x2.9 NBR90	4	EA
9	40-03385	O-RING 29.6x2.9 NBR90	4	EA

2.0 - INSTALL COMPONENTS

2.1 - HOSE CLAMPS

2.1.1 - OQ4119450 - HOSE CLAMP 1 1/4"

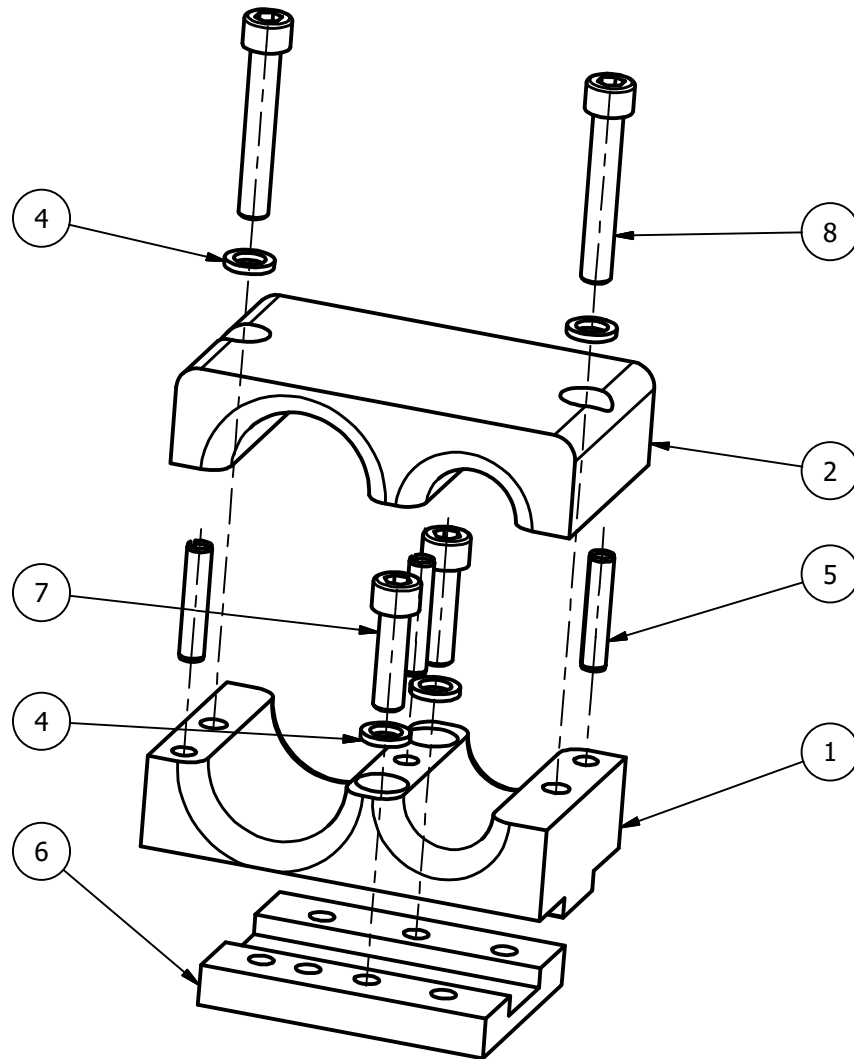


ITEM	PN#	NAME	QTY	UOM
1	OQ4119452	BASE HOSE HOLDER	1	EA
2	OQ4119451	UPPER HOSE HOLDER	1	EA
3	OQ7060110	SCREW MC6S M10x40 12.9	2	EA
4	OQ7072028	WASHER NORDLOCK M10	4	EA
5	OQ7089026	SPRING PIPE STICK	2	EA
6	OQ4119391	WELDING PLATE, HOSE CLAMP	1	EA
7	OQ7060099	SCREW MC6S M10x35 8.8 FZB	2	EA

2.0 - INSTALL COMPONENTS

2.1 - HOSE CLAMPS

2.1.2 - OQ4129699 - HOSE CLAMP 1 1/4"+3/4"

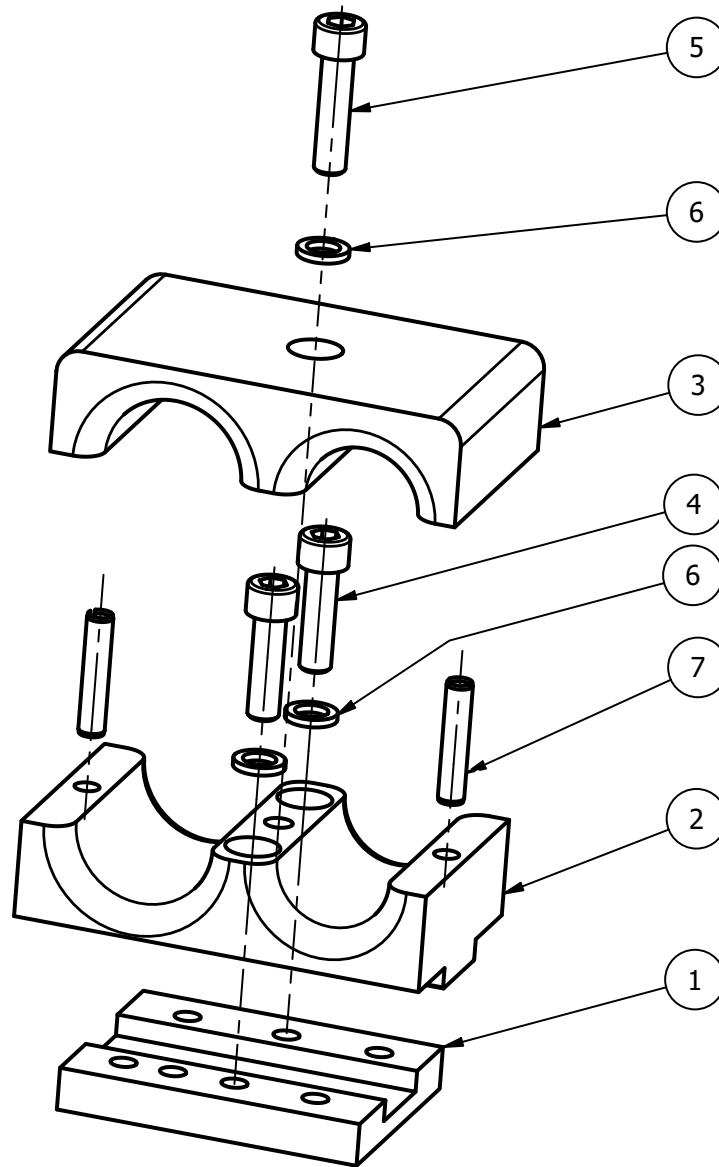


ITEM	PN#	NAME	QTY	UOM
1	OQ4129694	BASE HOSE HOLDER	1	EA
2	OQ4129693	UPPER HOSE HOLDER	1	EA
4	OQ7072028	NUT NORDLOCK M10	4	EA
5	OQ7089026	SPRING PIPE STICK	3	EA
6	OQ4119391	WELD PLATE	1	EA
7	OQ7060099	SCREW MC6S 10 X 35	2	EA
8	OQ7060190	SCREW MC6S 10 X 60	2	EA

2.0 - INSTALL COMPONENTS

2.1 - HOSE CLAMPS

2.1.3 - OQ4123919 - HOSE CLAMP 1 1/4"+1"

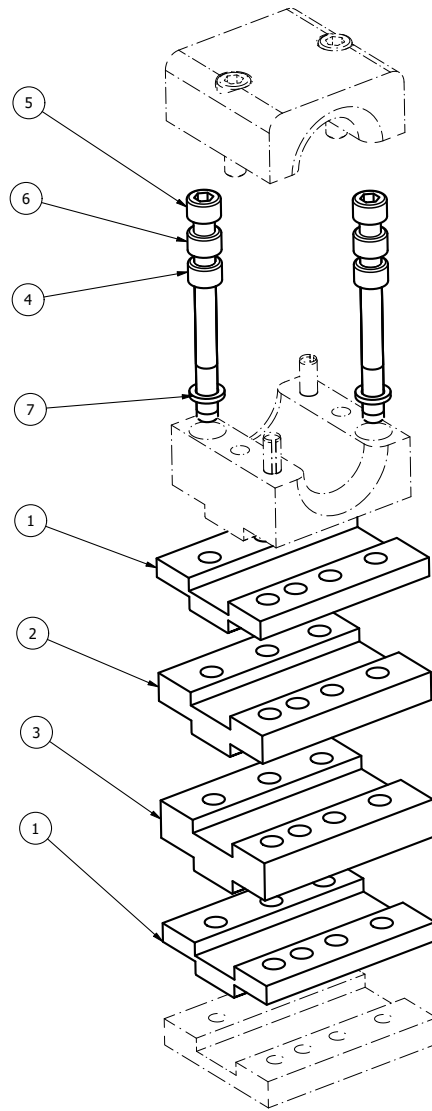


ITEM	PN#	NAME	QTY	UOM
1	OQ4119391	WELDING PLATE, HOSE CLAMP	1	EA
2	OQ4123917	BASE HOSE HOLDER	1	EA
3	OQ4123918	UPPER HOSE HOLDER	1	EA
4	OQ7060099	SCREW MC6S M10x35 8.8 FZB	2	EA
5	OQ7060110	SCREW MC6S M10x40 12.9	1	EA
6	OQ7072028	WASHER NORDLOCK M10	3	EA
7	OQ7089026	SPRING PIPE STICK	2	EA

2.0 - INSTALL COMPONENTS

2.1 - HOSE CLAMPS

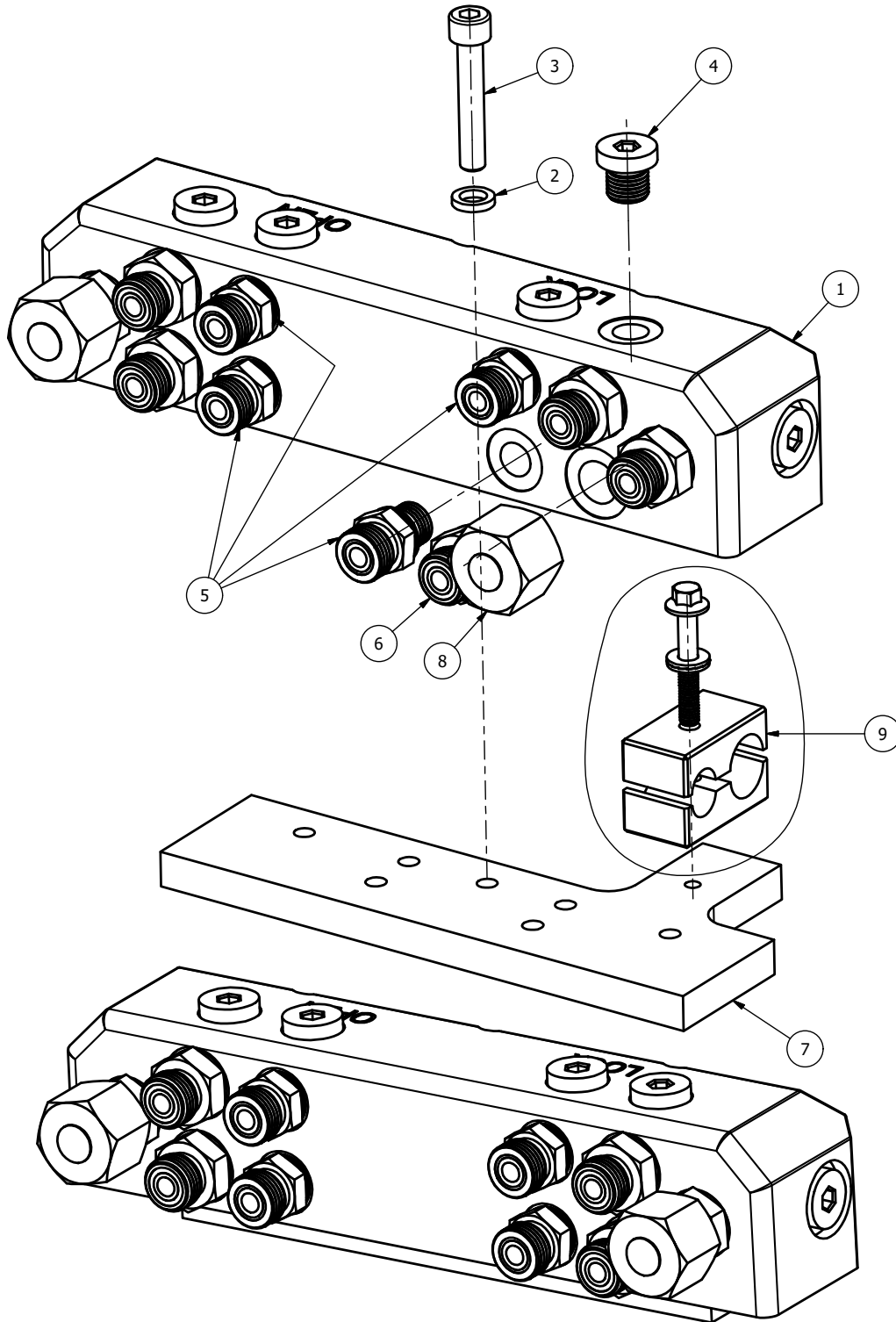
2.1.4 - OQ4119458 - SPACER KIT HOSE CLAMP 35/45/55MM



ITEM	PN#	NAME	QTY	UOM
1	OQ4119392	SPACER 10MM, HOSE CLAMP	2	EA
2	OQ4119393	SPACER 15MM, HOSE CLAMP	1	EA
3	OQ4119459	SPACER 20MM, HOSE CLAMP	1	EA
4	OQ7060146	SCREW MC6S M10x70 12,9	2	EA
5	OQ7060205	SCREW MC6S M10x80 12.9	2	EA
6	OQ7060177	SHCS MC6S M10-1.50 x90 12.9	2	EA
7	50-00682	WASHER NORDLOCK M10 - 16.6 X 2.5 1244	2	EA

2.0 - INSTALL COMPONENTS

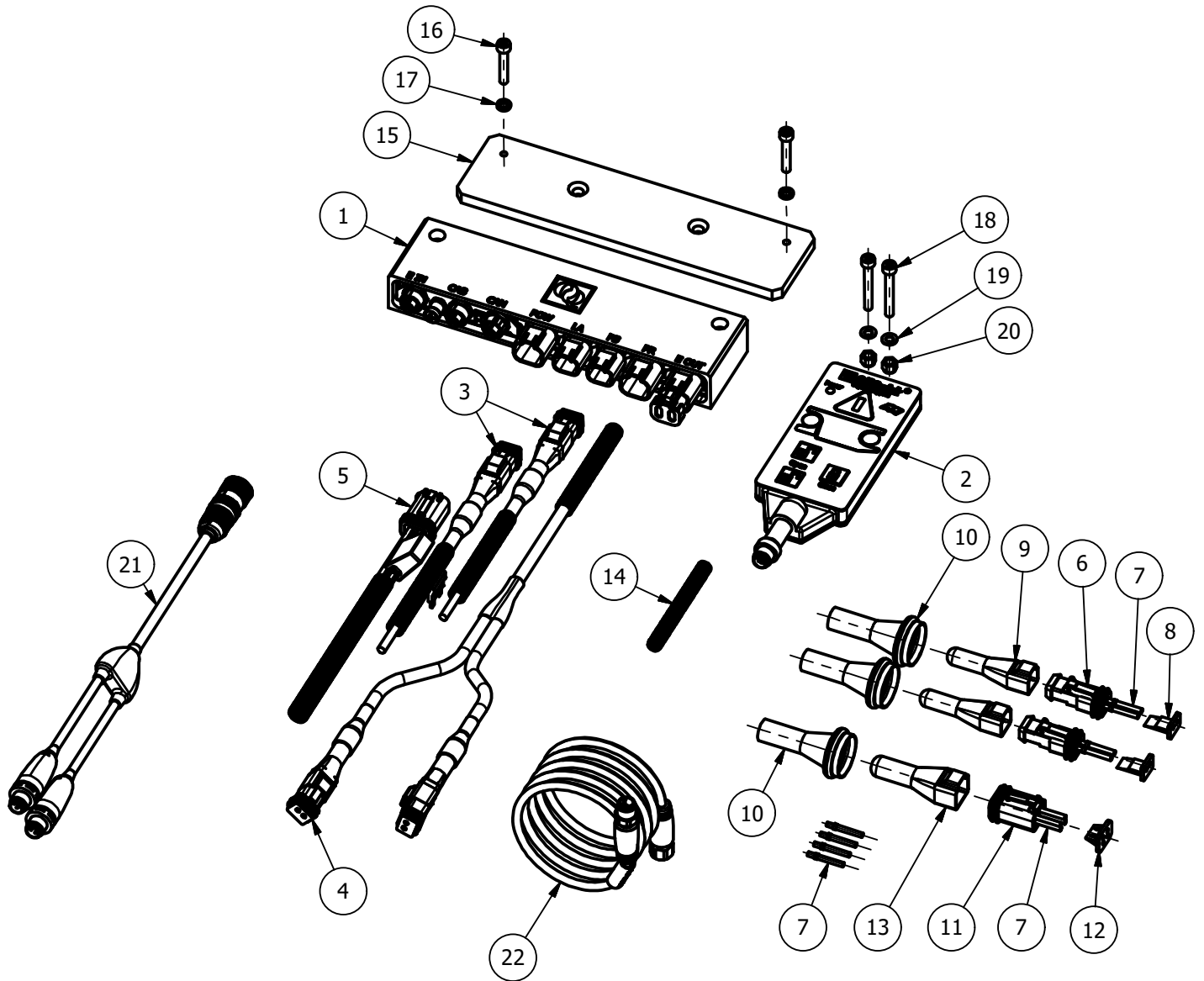
2.2 - OQ5110941 - GUIDE BLOCK MANIFOLD



ITEM	PN#	NAME	QTY	UOM
1	OQ4121328	HYDR.BLOCK, LOCK-, 1/2"- & DRAIN	1	EA
2	OQ7072021	WASHER NORDLOCK M8	3	EA
3	OQ7060102	SCREW MC6S M8 - 1.25 x 45	3	EA
4	OQ7200283	PLUG G1/4" ED	6	EA
5	OQ7200213	NIPPLE ORFS06 UF-M14x1,5 UF	4	EA
6	OQ7200249	NIPPLE ORFS08 UF-M16x1,5 UF	6	EA
7	OQ4115481	BRACKET, LOCKING CIRCUIT	1	EA
8	OQ7200002	BLIND NUT ORFS08IF	2	EA
9	OQ5180116	BRACES - COMPLETE	1	EA

3.0 - LOCK SUPPORT

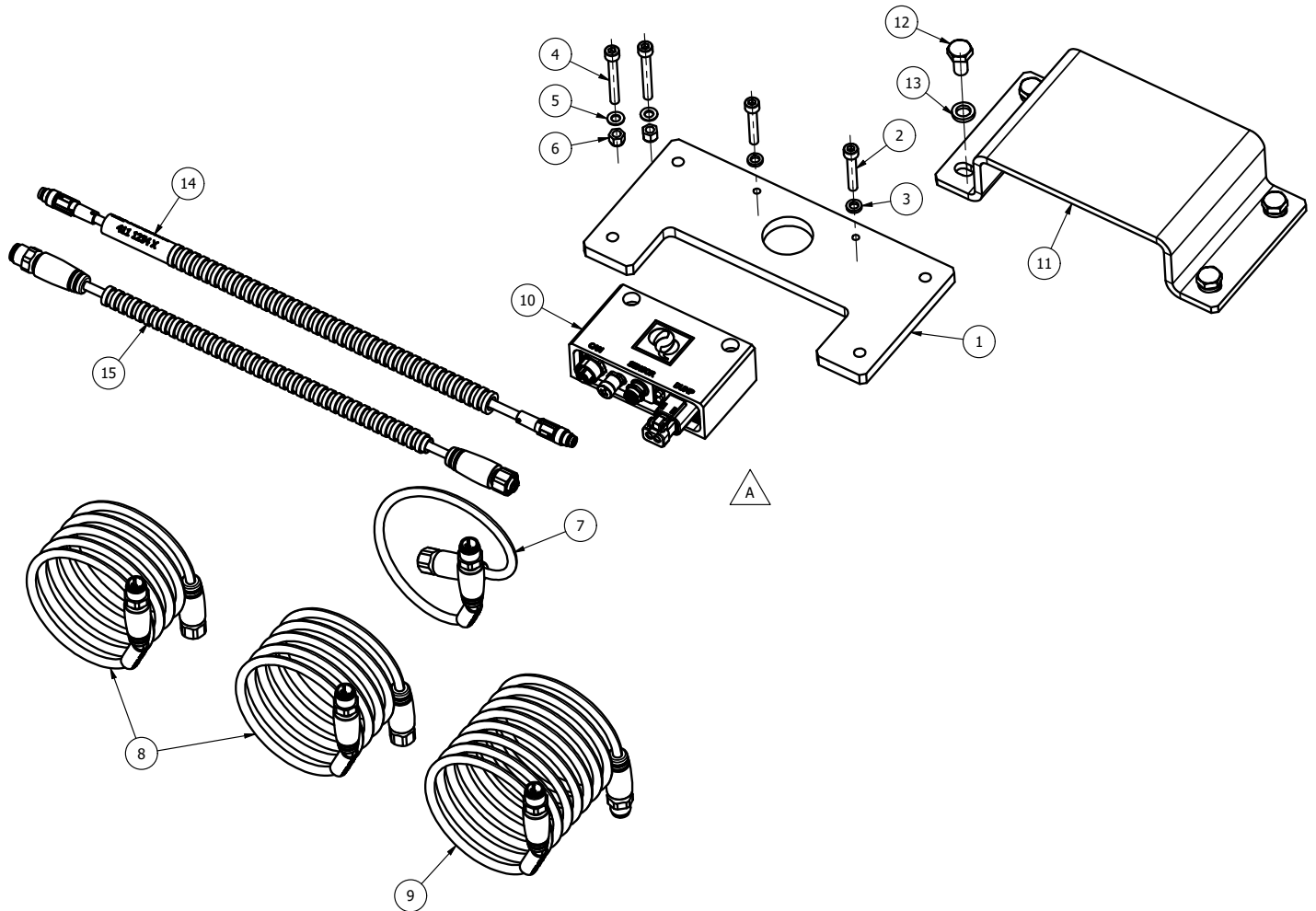
3.1 - OQ5190261 - OQLS INSTALLATION KIT



ITEM	PN#	NAME	QTY	UOM
1	OQ4131663	MASTER UNIT - OQLS 2.0 (SINGLE PRESS)	1	EA
2	OQ4126332	OQLS CABIN PANEL GEN 2 (NEW)	1	EA
3	OQ4121394	CABLE SET OQLS (PB/LOCK/PRESSURE)	2	EA
4	OQ4121393	CABLE DEPRESSURIZATION VALVE OQ80	1	EA
5	OQ4123140	CABLE POWER OQLS OQ, TLE	1	EA
6	30-00428	CONNECTOR PLUG DT06-2S-P012	2	EA
7	30-00348	CONNECTOR DEUTSCH SOCKET #16-14	12	EA
8	30-00337	CONNECTOR WEDGE W2S	2	EA
9	OQ7034133	PROTECTIVE HOOD DT2S-BT	2	EA
10	30-00697	1" X 48" BLK ADHESIVE LINED HEAT SHRINK	3	EA
11	30-00332	CONNECTOR PLUG DT06-4S	1	EA
12	30-00338	CONNECTOR WEDGE W4S	2	EA
13	OQ7034131	PROTECTIVE HOOD DT4S-BT	1	EA
14	OQ7034140	SPLIT LOOM	1	EA
15	OQ4124026	MOUNTING PLATE - MASTER UNIT	1	EA
16	OQ7060153	SCREW MC6S M5x30 12.9	2	EA
17	OQ7072033	WASHER NORDLOCK M5 - 9.0 X 1.8	2	EA
18	50-01095	SH CS M5 - 0.8 X 40 Z_12.9	2	EA
19	50-00422	WASHER M5 - 10.0 X 1.0 Z_H	2	EA
20	50-01096	NUT NYLOCK M5 - 0.8 Z_	2	EA
21	OQ7033002	CABLE - OQLS PANEL 6M (19' 6" LG)	1	EA
22	OQ7033073	CABLE - EXTENSION, CAB =2,0M M-F	1	EA

3.0 - LOCK SUPPORT

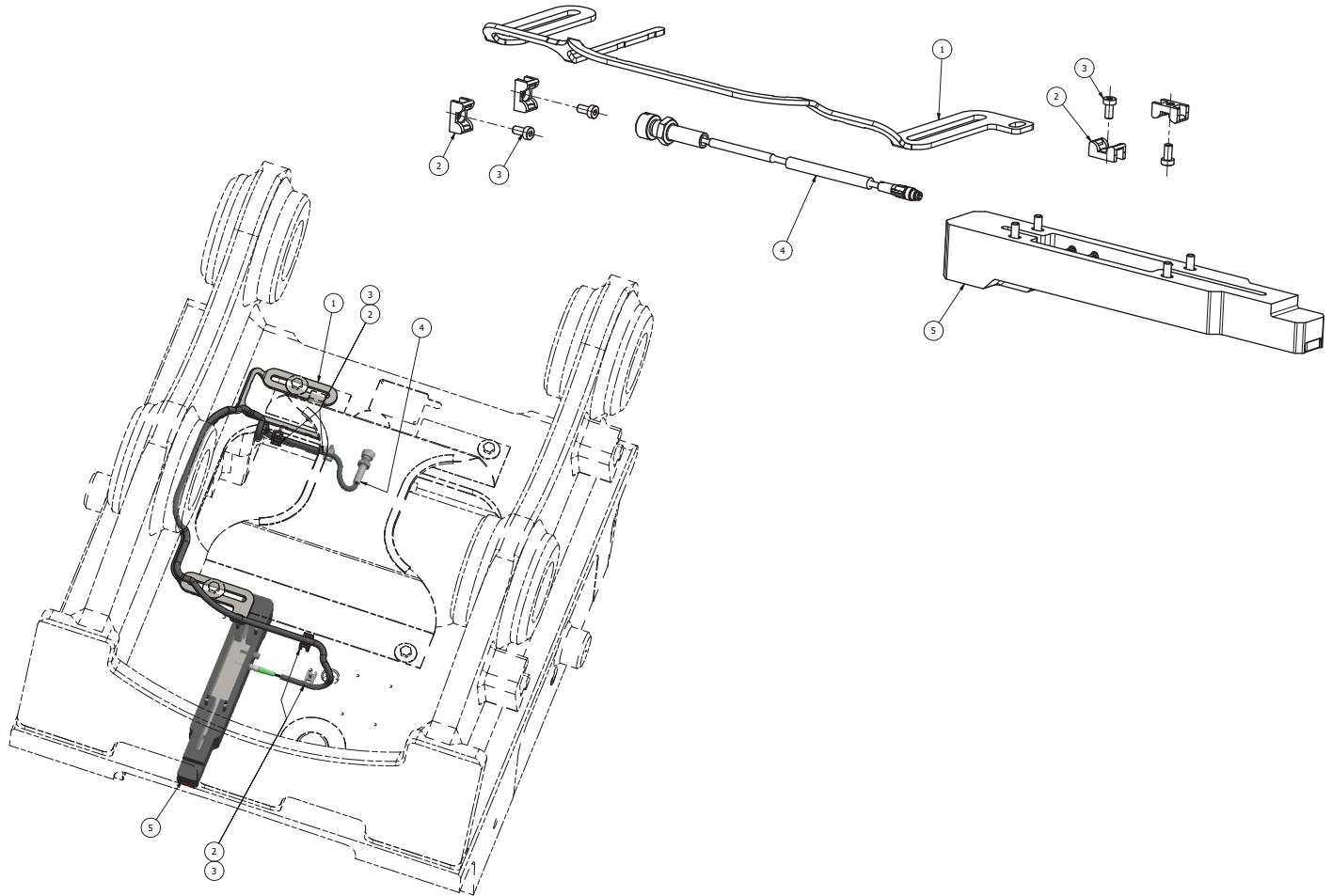
3.2 - OQ5190268 - STICK UNIT KIT CABLE KIT



ITEM	PN#	NAME	QTY	UOM
1	OQ4130698	WELD PLATE - STICK UNIT OQLS 2.0	1	EA
2	OQ7060153	SCREW MC6S M5x30 12.9	2	EA
3	OQ7072033	WASHER NORDLOCK M5 - 9.0 X 1.8	2	EA
4	OQ7060100	SCREW MC6 M5x40	2	EA
5	OQ7072031	WASHER M5 - 10.0 Z	2	EA
6	OQ7065018	NUT M6M M5 NYLOCK	2	EA
7	OQ7033068	CABLE - OQLS EXTENSION, BOOM L=0,5M M-F	1	EA
8	OQ7033070	CABLE - EXTENSION, BOOM L=2,0M M-F	2	EA
9	OQ7033062	CABLE-OQCS/OQLS CANBUS M/M 15M (49'2")	1	EA
10	OQ4131384	STICK UNIT - OQLS 2.0	1	EA
11	OQ4130699	PROTECTION COVER - STICK UNIT OQLS 2.0	1	EA
12	OQ7060004	SCREW M6S M8 - 1.25 x 16 8.8 FZB	4	EA
13	OQ7072021	WASHER NORDLOCK M8	4	EA
14	OQ5190231	CABLE - SENSOR OQLS 2.0 3M	1	EA
15	OQ7033095	EXTENSION CABLE - OQLS 2.0 1M M/F M8	1	EA

3.0 - LOCK SUPPORT

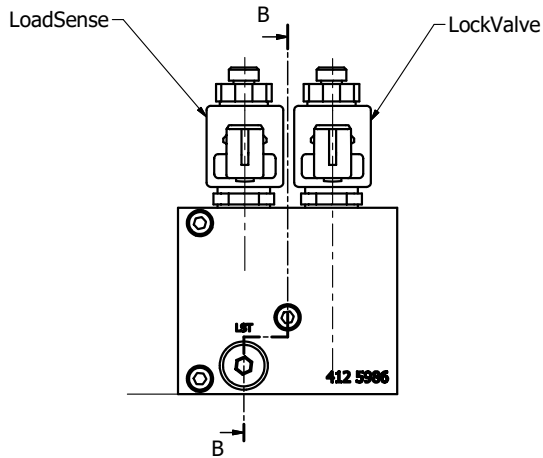
3.3 - OQ5190344 - SENSOR KIT



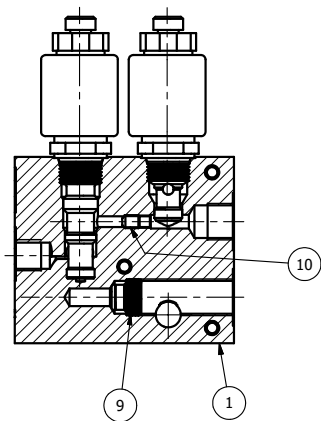
ITEM	PN#	NAME	QTY	UOM
1	OQ4133133	ASSEMBLY PLATE OQLS 2.0 OQ90	1	EA
2	OQ7087000	CABLE TIES	4	EA
3	OQ7060285	SCREW- MCLS 6 X 12 (12.9)	4	EA
4	OQ5190253	FRONT AXLE SENSOR OQ90	1	EA
5	OQ4131164	SENSOR UNIT OQ90 OQLS 2.0 COMPL.	1	EA

3.0 - LOCK SUPPORT

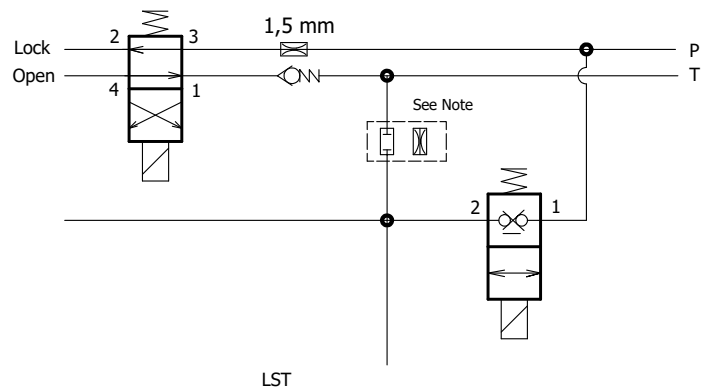
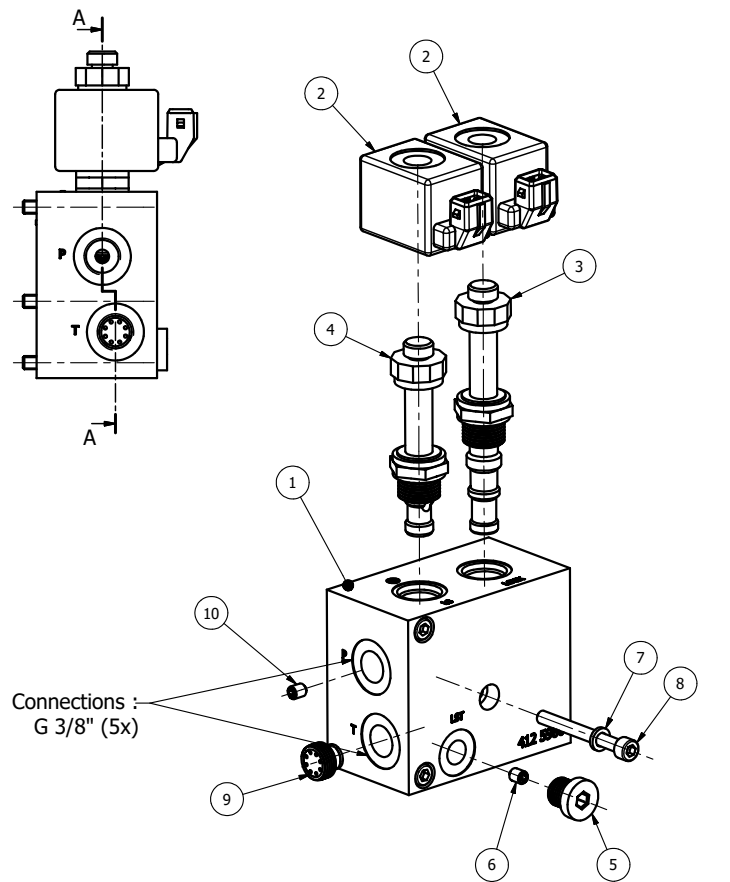
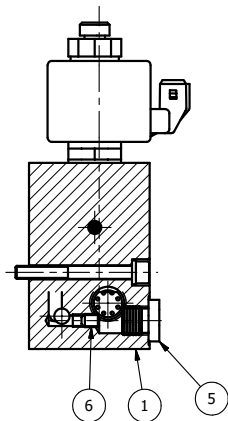
3.4 - OQ4120613 - LOCK VALVE



A-A



B-B



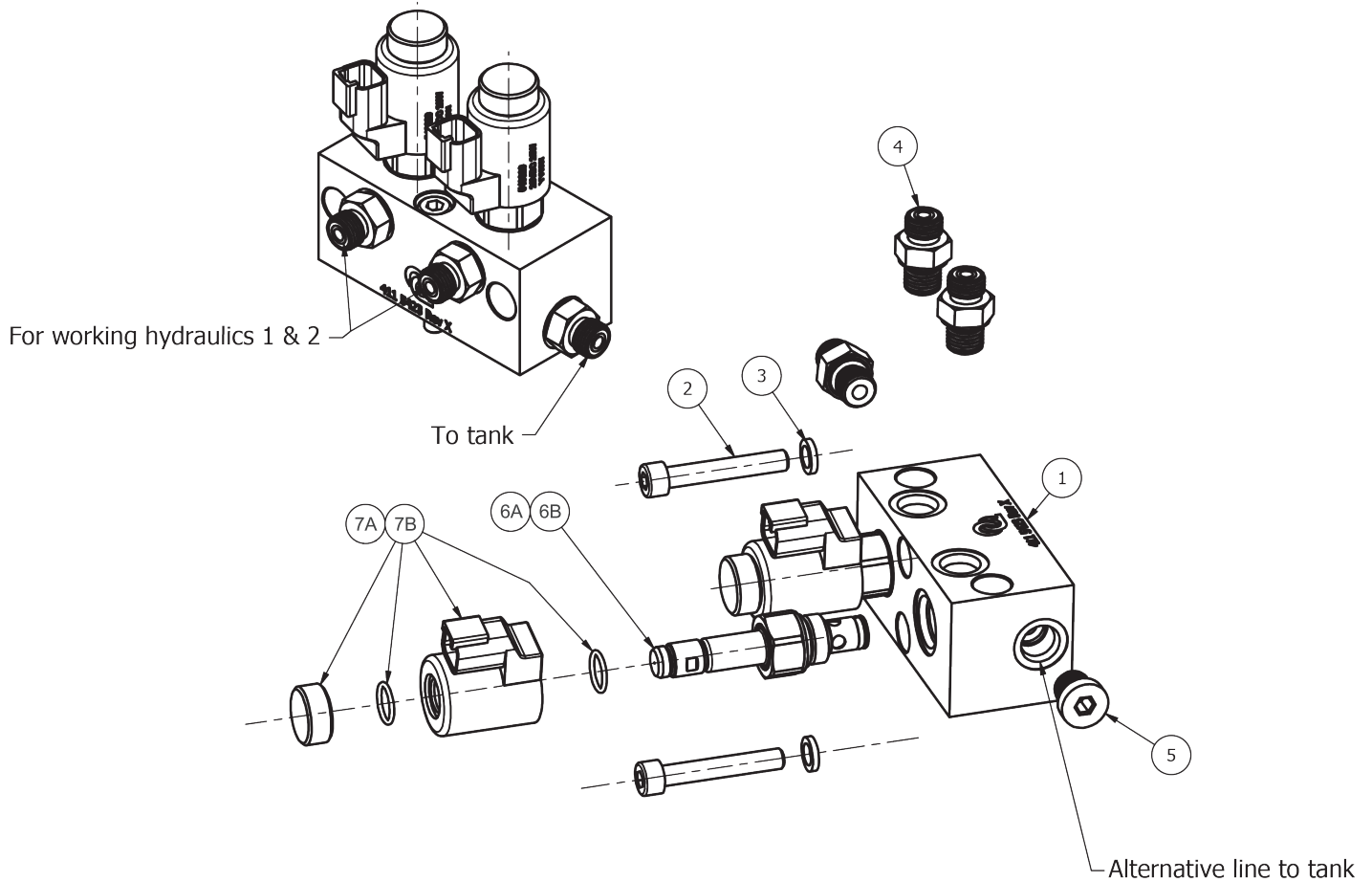
Via the plug LST, the stop screw can be removed and replaced with an M6 throttle. This may be necessary for the LS signal to function correctly.

Hydraulic components Cleanliness requirements according to OQ 600 0109

ITEM	PN#	NAME	QTY	UOM
1	OQ4125986	LOCK - POWERBOOST VALVE BLOCK	1	EA
2	OQ7005057	SOLENOID 24V LOCK-POWER BOOST VALVE	2	EA
3	OQ7005053	VALVE CARTRIDGE 6/2 (LOCKING SIDE)	1	EA
4	OQ7005054	VALVE CARTRIDGE 2/2 (POWERBOOST SIDE)	1	EA
5	OQ7200283	PLUG G1/4" ED	1	EA
6	OQ7060011	SCREW SK6SS M6x8	1	EA
7	50-00905	WASHER NORDLOCK M6 - 10.8 X 1.8 1519	3	EA
8	OQ7060076	SCREW MC6S M6x55 12.9	3	EA
9	OQ7009024	LOCK - POWER BOOST CHECK VALVE	1	EA
10	OQ4125987	M6 ORIFICE (1.5MM)	1	EA

3.0 - LOCK SUPPORT

3.5 - OQ4123124 - DEPRESSURIZATION VALVE



ITEM	PN#	NAME	QTY	UOM
1	OQ4115423	HYDRAULIC BLOCK, DEPRESSURIZING KIT	1	EA
2	OQ7060056	SCREW MC6S M8 - 1.25 x 80 12.9	2	EA
3	OQ7072021	WASHER NORDLOCK M8	2	EA
4	OQ7200207	NIPPLE ORFS04 UF-M14x1.5 UF	3	EA
5	OQ7200214	PLUG M14x1,5	2	EA
6A	OQ7005082	VALVE CARTRIDGE 2/2	2	EA
6B	OQ7005069	VALVE CARTRIDGE 2/2 PRV PARKER	2	EA
7A	OQ7005083	SOLENOID 28V, DT, DEPRESSURIZING (ROUND)	2	EA
7B	OQ7005070	SOLENOID 28V, DT, DEPRESSURIZING (SQUARE)	2	EA

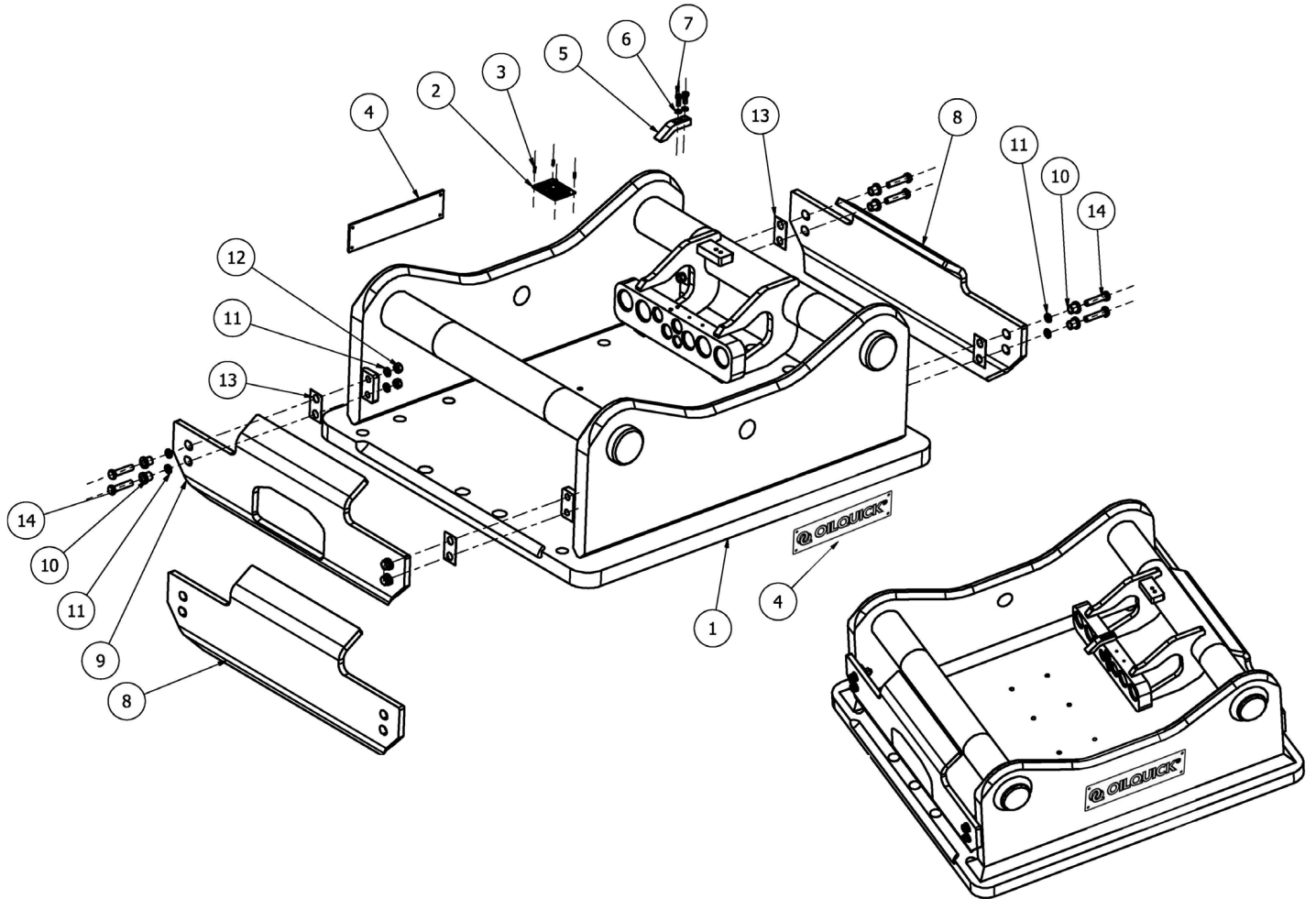
3.0 - LOCK SUPPORT

3.6 - OQ5113699 - FIRST AID KIT

ITEM	PN#	NAME	QTY	UOM
1	OQ7020270	NOSE SEAL 3/8"	2	EA
2	OQ7020130	NOSE SEAL 1/2"	4	EA
3	OQ7020131	NOSE SEAL 3/4"	2	EA
4	OQ7020132	NOSE SEAL 1"	8	EA
5	OQ4118755	PUSHER 3/8"	1	EA
6	OQ4112220	PUSHER 1/2"	1	EA
7	OQ4112221	PUSHER 3/4"	1	EA
8	OQ4112222	PUSHER 1"	1	EA
9	OQ4121990	MOUNTING TOOL 3/8"	1	EA
10	OQ4116298	MOUNTING TOOL 1/2"	1	EA
11	OQ4116296	MOUNTING TOOL 3/4"	1	EA
12	OQ4116295	MOUNTING TOOL 1"	1	EA
13	OQ7410094	FIRST AID KIT	1	EA
14	OQ7406065	FIRST AID KIT BOX	1	EA

4.0 - ATTACHMENT FRAME

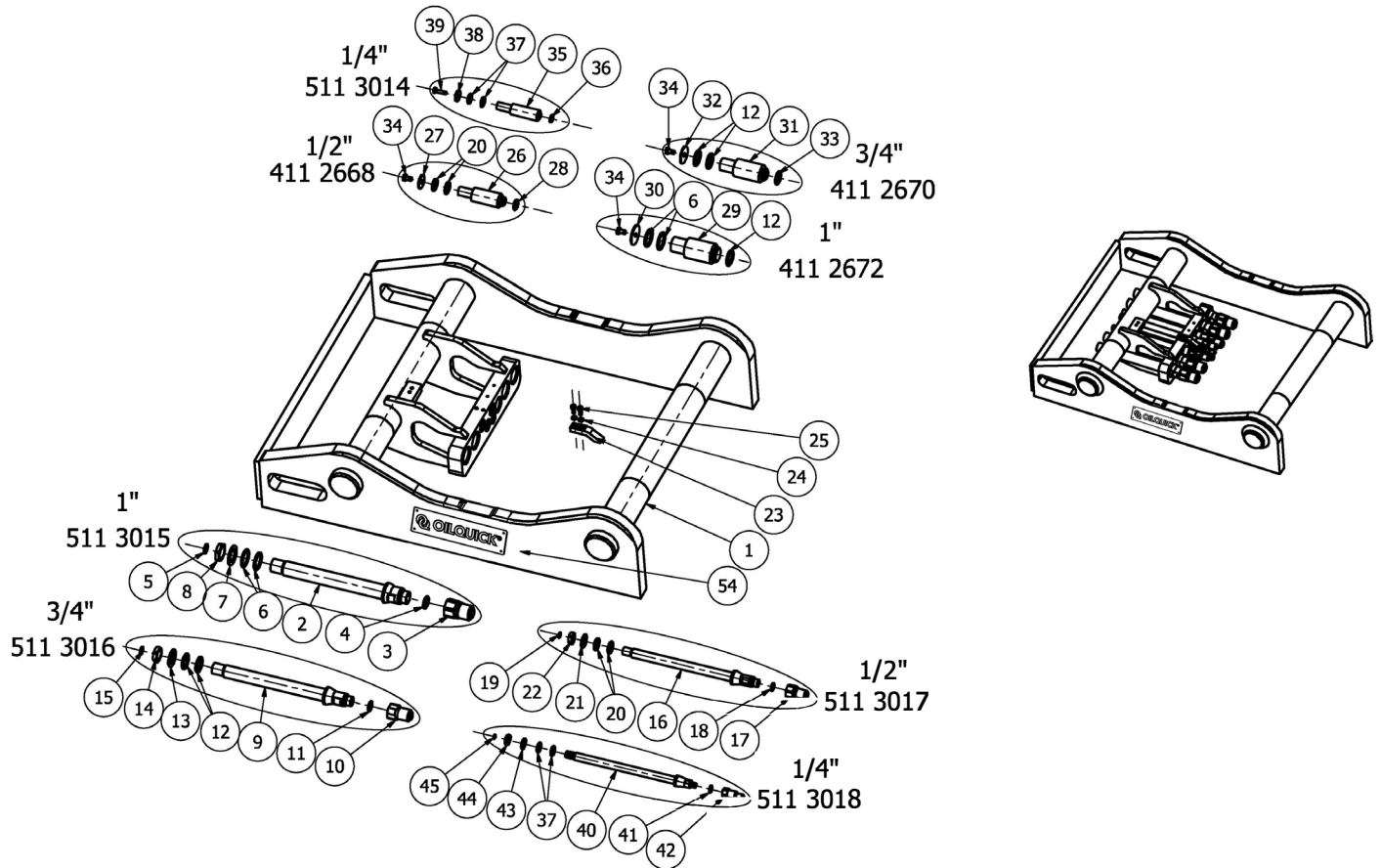
4.1 - OQ4120604 - D-FRAME



ITEM	PN#	NAME	QTY	UOM
1	OQ412XXXX	ATTACHMENT BRACKET	1	EA
2	OQ4118161	OILQUICK IDENTIFICATION PLATE	1	EA
3	OQ7093007	POP RIVET A 3,2x12,5	4	EA
4	OQ4116271	EMBLEM - OILQUICK - OQ70-OQ120	2	EA
5	OQ4114829	DEFLECTOR OQ90	1	EA
6	OQ7072021	WASHER NORDLOCK M8	2	EA
7	OQ7060133	SH SCREW MC6LS M8 - 1.25 x 20 10.9	2	EA
8	OQ4120335	PROTECTION PLATE, OQ90 SOLID	2	EA
9	OQ4120336	PROTECTION PLATE, OQ90 CUTOUT	1	EA
10	OQ4120324	SLEEVE - PROTECTION PLATE TOOL ADAPT	8	EA
11	OQ7072007	WASHER NORDLOCK M12-19.5 X 2.5 1262	16	EA
12	OQ7065005	NUT- M12 NYLOCK	8	EA
13	OQ4120568	RUBBER SPACER OQ80-90	4	EA
14	OQ7060217	HH CS M12 x 55 8.8_FZB	8	EA

4.0 - ATTACHMENT FRAME

4.2 - OQ4117997 - C-FRAME

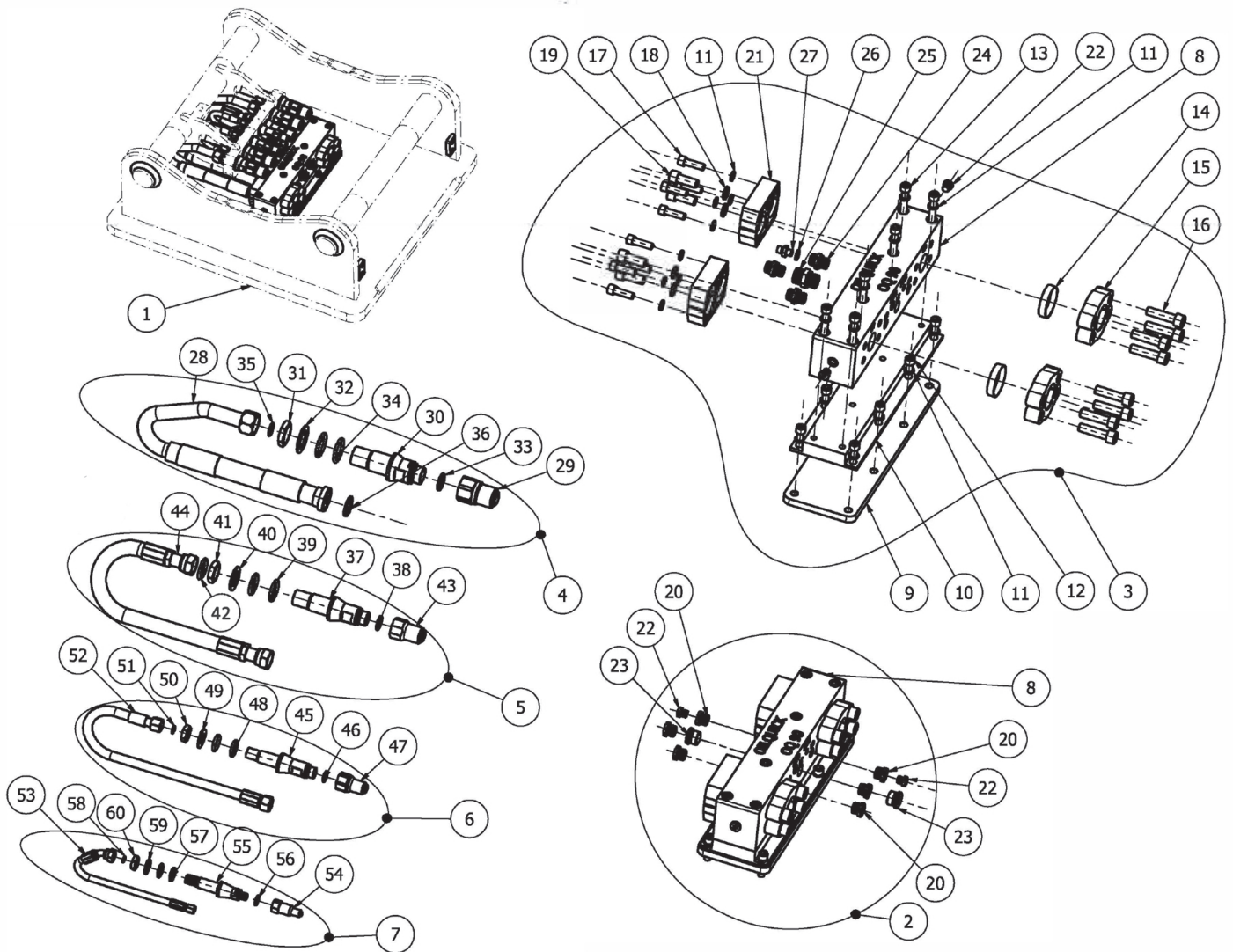


ITEM	PN#	NAME	QTY	UOM
1	OQ4117985	ATTACHMENT FRAME	1	EA
2	OQ4117998	BULKHEAD 1" LONG OQ90	4	EA
3	OQ7206021	HYDRAULIC COUPLING 1", MALE	4	EA
4	OQ7160050	O-RING 28,17x3,52 NBR70	4	EA
5	OQ7160047	O-RING-021 -16MO (23,52x1,78) NBR 90D	4	EA
6	OQ7160044	O-RING 40x5 NBR70	8	EA
7	OQ4112314	WASHER 1.375 - 2.16 X 0.12 P	4	EA
8	OQ4112397	NUT 1 7/16"-12UN, T=10,5 BULK HEAD	4	EA
9	OQ4117999	3/4" LONG	1	EA
10	OQ7206019	HYDRAULIC COUPLING 3/4", MALE	1	EA
11	OQ7160049	O-RING 23,47x2,62 NBR70	1	EA
12	OQ7160043	O-RING 34x5 NBR 70	3	EA
13	OQ4112315	WASHER 3/4 1.188 - 1.88 X 0.12 P	1	EA
14	OQ4112398	NUT 1 3/16"-12UN, T=10,5	1	EA
15	OQ7160046	O-RING-018 -12MO (18,77x1,78) NBR 90D	1	EA
16	OQ4118000	BULK HEAD 1/2"	3	EA
17	OQ7206017	HYDRAULIC COUPLING 1/2", MALE	3	EA
18	OQ7160048	O-RING 17,6x2,62 NBR70	3	EA
19	OQ7160045	O-RING-014 -08MO (12,42x1,78) NBR 90D	3	EA
20	OQ7160042	O-RING 24x5 NBR70	6	EA
21	OQ4112316	WASHER 0.750 - 1.49 X 0.12 P	3	EA
22	OQ4112399	NUT 13/16"-16UN, T=9	3	EA
23	OQ4114829	DEFLECTOR OQ90	1	EA
24	OQ7072021	USE 50-00773	2	EA
25	OQ7060133	SH SCREW MC6LS M8 - 1.25 x 20 10.9	2	EA
26	OQ4112667	POLY ADAPTER 1/2"	3	EA
27	OQ4112660	WASHER 1/2"	3	EA
28	OQ7160031	O-RING	3	EA
29	OQ4112671	POLY ADAPTER 1"	4	EA
30	OQ4112658	WASHER 1"	4	EA
31	OQ4112669	POLY ADAPTER 3/4"	1	EA
32	OQ4112659	WASHER 3/4"	1	EA
33	OQ7160032	RUBBER RING 30X	1	EA

ITEM	PN#	NAME	QTY	UOM
34	OQ7060118	SCREW	2	EA
35	OQ4118084	POLY ADAPTER 1/4"	2	EA
36	OQ7160079	O-RING Ø13x4 NBR70	1	EA
37	OQ7160077	O-RING 20x4 NBR70	2	EA
38	OQ4114173	WASHER 1/4"	1	EA
39	OQ7060108	HH CS M8 - 1.25 x 30	1	EA
40	OQ4118086	BULK HEAD 1/4"	1	EA
41	OQ7200081	SEAL WASHER GB R 1/4"	1	EA
42	OQ4114925	QUICK COUPLING, MALE 1/4"	1	EA
43	OQ4114030	WASHER 0.625 X 1.16 - 0.10 Z	1	EA
44	OQ7065043	NUT 11/16"-16 UN	1	EA
45	OQ7160078	O-RING 9,25x1,78 NBR70	1	EA
46	OQ5113015	COUPLING KIT 1" LONG OQ90	4	EA
47	OQ4112672	POLY ADAPTER 1" OQ70-90	4	EA
48	OQ5113016	COUPLING KIT 3/4" long OQ90	1	EA
49	OQ4112670	POLY ADAPTER 3/4" OQ70-90	1	EA
50	OQ5113017	COUPLING KIT 1/2" LONG	3	EA
51	OQ4112668	POLY ADAPTER 1/2" OQ70-90	3	EA
52	OQ5113018	COUPLING KIT 1/4" LONG	1	EA
53	OQ5113014	POLY ADAPTER 1/4" & 3/8" OQ90	1	EA
54	OQ4116271	EMBLEM - OILQUICK - OQ70-OQ120	2	EA

4.0 - ATTACHMENT FRAME

4.3 - OQ4119967 - SPLIT BLOCKS

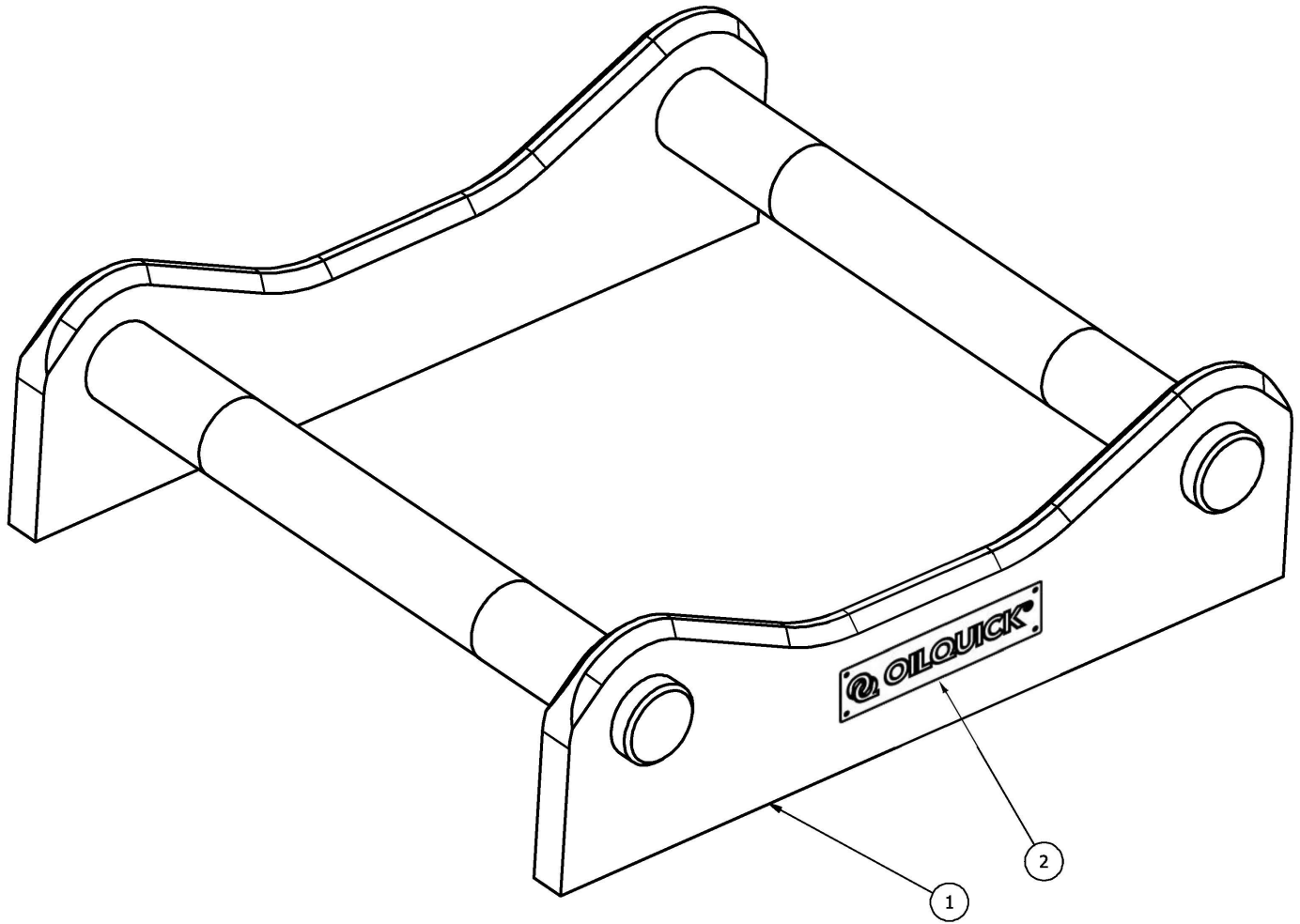


ITEM	PN#	NAME	QTY	UOM
1	OQ411XXXX	TOOL ADAPTOR	1	EA
2	OQ5113035	HYDR.BLOCK KIT 4x1" SPLIT, OQ90	1	EA
3	OQ5113043	SPLITBLOCK KIT	1	EA
4	OQ5113036	COUPLING KIT 1" OQ90 BLOCK	4	EA
5	OQ5113037	COUPLING KIT 3/4" OQ90 BLOCK	1	EA
6	OQ5111106	COUPLING KIT 1/2" OQ70-90 BLOCK	2	EA
7	OQ5113038	COUPLING KIT 1/4" BLOCK	1	EA
8	OQ7200274	HYDRAULIC BLOCK OQ90 TOOL ADAPTER	1	EA
9a	OQ4117949	SPACER, STD	1	EA
9b	OQE04819	SPACER, THIN	1	EA
10	OQ7200302	RUBBER PLATE	1	EA
11	OQ7072007	LOCKING WASHER	22	EA
12	OQ7060097	SH CS M12 - 1.75 x 45 12.9	8	EA
13	OQ7060016	SH CS M12 x100 Z_12.9	6	EA
14	OQ7207016	PLASTIC PLUG, SAE6 FLANGE 1 1/2"	2	EA
15	OQ7207013	FLANGE HALF - 1 1/2"	3	EA
16	OQ7060159	SH CS M16 X 60	8	EA
17	OQ7060069	SH CS M12 X 40 Z_12.9	8	EA
18	50-00734	WASHER NORDLOCK M16 - 25.4 X 3.3 1536	4	EA
19	OQ7060149	SH CS M16 X 40 Z_12.9	4	EA
20	OQ7091009	PLUG - 08 MBSPP -ED	6	EA
21	OQ7200301	CLAMP OQ90 OVERFALL FLANS BLOCK	4	EA
22	OQ7200283	PLUG G1/4" ED	4	EA
23	OQ7091010	PLUG G3/4" ED	2	EA
24	OQ7200279	NIPPLE 15L-G1/2" UF	3	EA
25	OQ7200281	NIPPLE ORFS12 UF-G3/4" UF ED	1	EA
26	OQ7200081	SEAL WASHER GB R 1/4"	1	EA
27	OQ7200098	NIPPLE G1/4" UF-M12x1,5 UF	1	EA
28	OQ7150216	HYDRAULIC HOSE/PIPE 1" OQ90	4	EA
29	OQ7206021	HYDRAULIC COUPLING 1", MALE	4	EA
30	OQ4113607	BULKHEAD 1" SHORT OQ70/55 OQ80	4	EA
31	OQ4112397	NUT 1 7/16"-12UN, T=10,5	4	EA
32	OQ4112314	WASHER 1.375 - 2.16 X 0.12 P	4	EA

ITEM	PN#	NAME	QTY	UOM
33	OQ7160050	O-RING 28, 17x3, 52 NBR70	2	EA
34	OQ7160044	O-RING 40x5 NBR70	2	A
35	OQ7160047	O-RING-021 -16MO (23,52x1,78) NBR 90D	4	EA
36	40-00318	O-RING-219 TRELLEBORG -16FL61/62 (BLUE)	4	EA
37	OQ4113606	BULK HEAD 3/4" SHORT OQ70/55 OQ80	1	EA
38	OQ7160049	O-RING 23,47x2,62 NBR70	1	EA
39	OQ7160043	O-RING 34x5 NBR 70	2	EA
40	OQ4112315	WASHER 1.188 - 1.88 X 0.12 P	1	EA
41	OQ4112398	NUT 1 3/16"-12UN, T=10,5	1	EA
42	OQ7160046	O-RING-018 -12MO (18,77x1,78) NBR 90D	1	EA
43	OQ7206019	HYDRAULIC COUPLING 3/4", MALE	1	EA
44	OQ7150266	HYDRAULIC HOSE 3/4" L=590	1	EA
45	OQ4113605	BULK HEAD 1/2" SHORT OQ70/55 OQ80	3	EA
46	OQ7160048	O-RING 17,6x2,62 NBR70	3	EA
47	OQ7206017	HYDRAULIC COUPLING, 1/2" MALE	3	EA
48	OQ7160042	O-RING 24x5 NBR70	6	EA
49	OQ4112316	WASHER 0.750 - 1.49 X 0.12 P	3	EA
50	OQ4112399	NUT 13/16"-16UN, T=9	3	EA
51	OQ7160045	O-RING-014 -08MO (12,42x1,78) NBR 90D	3	EA
52	OQ7150215	HYDRAULIC HOSE 1/2" L=570	3	EA
53	OQ7150252	HYDRAULIC HOSE	1	EA
54	OQ4114925	QUICK COUPLING, MALE 1/4"	1	EA
55	OQ4118082	BULK HEAD 1/4"	1	EA
56	OQ7200081	SEAL WASHER GB R 1/4"	1	EA
57	OQ7160077	O-RING 20x4 NBR70	2	EA
58	OQ7160078	O-RING 9,25x1,78 NBR70	1	EA
59	OQ4114030	WASHER 0.625 X 1.16 - 0.10 Z	1	EA
60	OQ7065043	NUT 11/16"-16 UN	1	EA

4.0 - ATTACHMENT FRAME

4.4 - QQE05141 - MECHANICAL FRAME



ITEM	PN#	NAME	QTY	UOM
1	OQE00179	ATTACHMENT FRAME	1	EA
2	OQ4116271	PLATE OILQUICK	2	EA

Dealer:



OilQuickAmericas
155 Main Street
Superior, WI 54880
Phone: 262.607.8425
Fax: 715.395.3703

E-mail: info@oilquickamericas.com
Web: www.oilquickamericas.com