

Manufacturer:

OilQuickAmericas  
155 Main Street  
Superior, WI 54880  
Phone: 262.607.8425  
Fax: 715.395.3703

E-mail: [info@oilquickamericas.com](mailto:info@oilquickamericas.com)  
Web: [www.oilquickamericas.com](http://www.oilquickamericas.com)

When ordering spare parts:

- Include the part number, description and desired quantities.
- Include your complete address.
- Specify how the parts are to be delivered.



## TABLE OF CONTENTS

### OQSS

#### 1.0 - OQSS SYSTEM

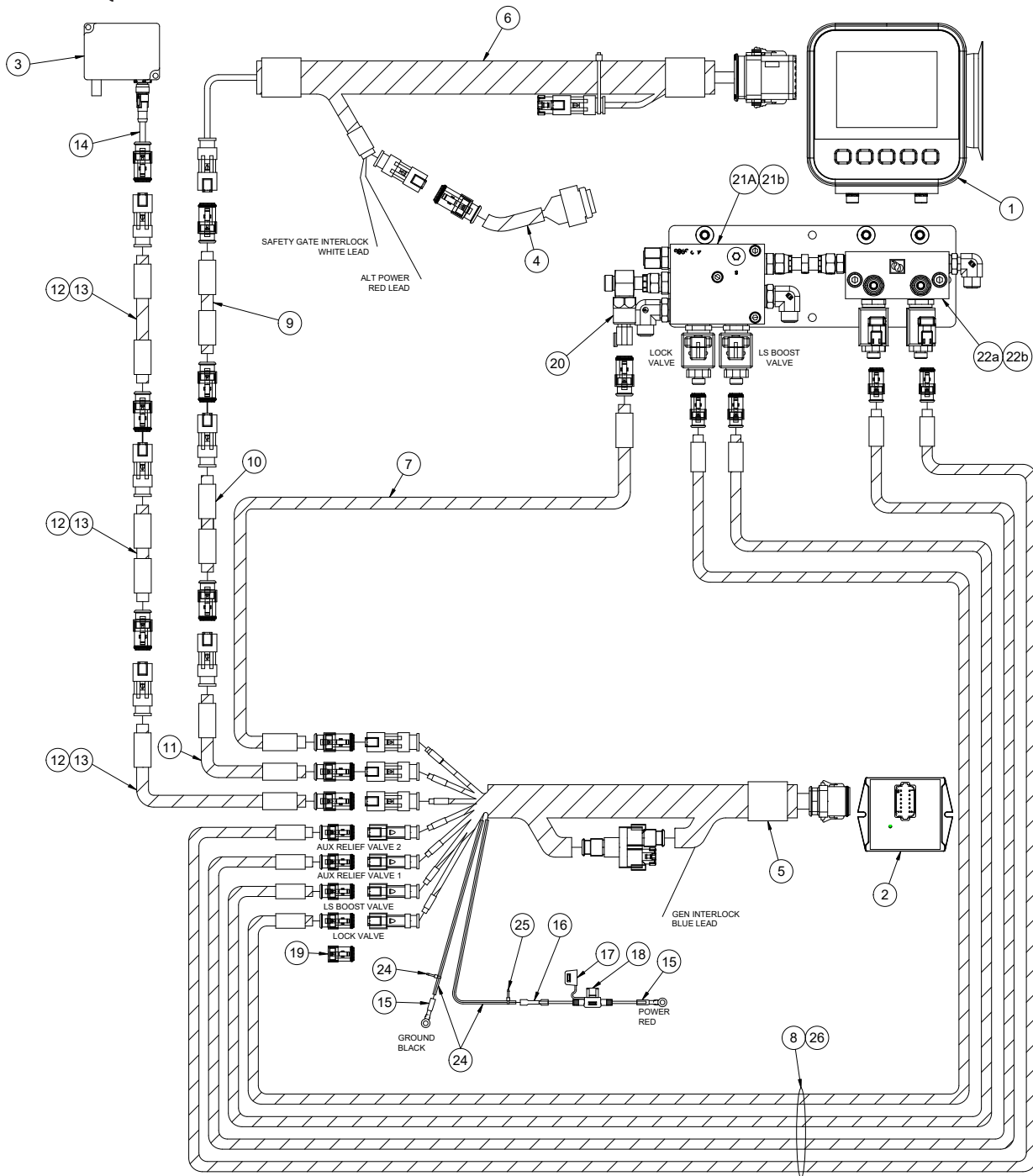
1.1 - OQSS COMPONENTS .....	4
1.2 - DISPLAY MODULE .....	6
1.3 - CHASSIS MODULE .....	7

#### 2.0 - CONTROL VALVES

2.1 - OQ4120613 - LOCK/PRESSURE BOOST VALVE (12 VDC OQ4129351) .....	8
2.2 - OQ4123124 - DEPRESSURIZATION VALVE (12 VDC OQ4123125) .....	10
2.3 - FACTORY VALVE ASSEMBLY (OQ60 - OQ120) .....	12
2.4 - FACTORY VALVE ASSEMBLY (OQ40 - OQ45-5) .....	14

# 1.0 - OQSS SYSTEM

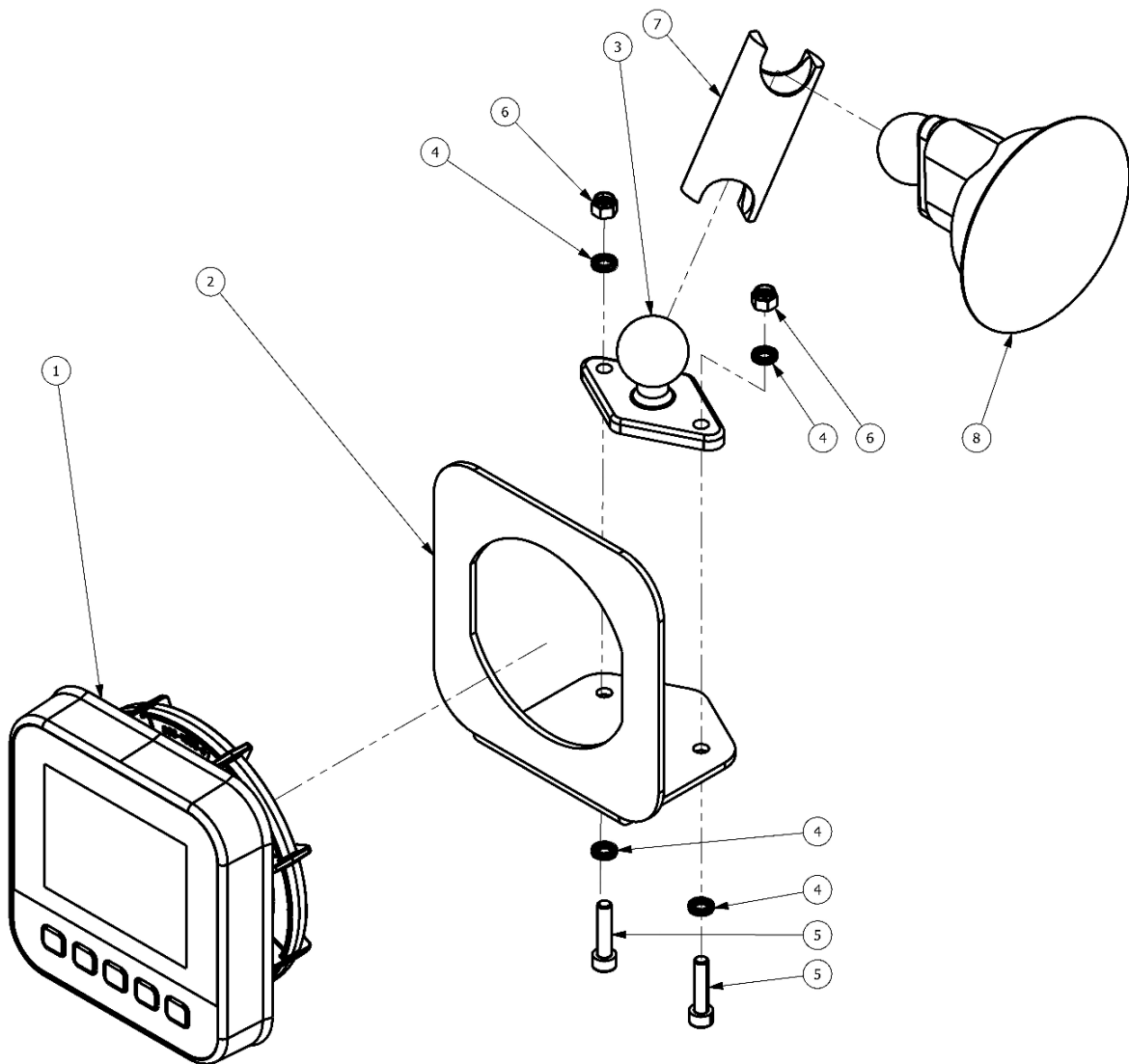
## 1.1 - OQSS COMPONENTS



All cables / harnesses labeled with part number at each end.

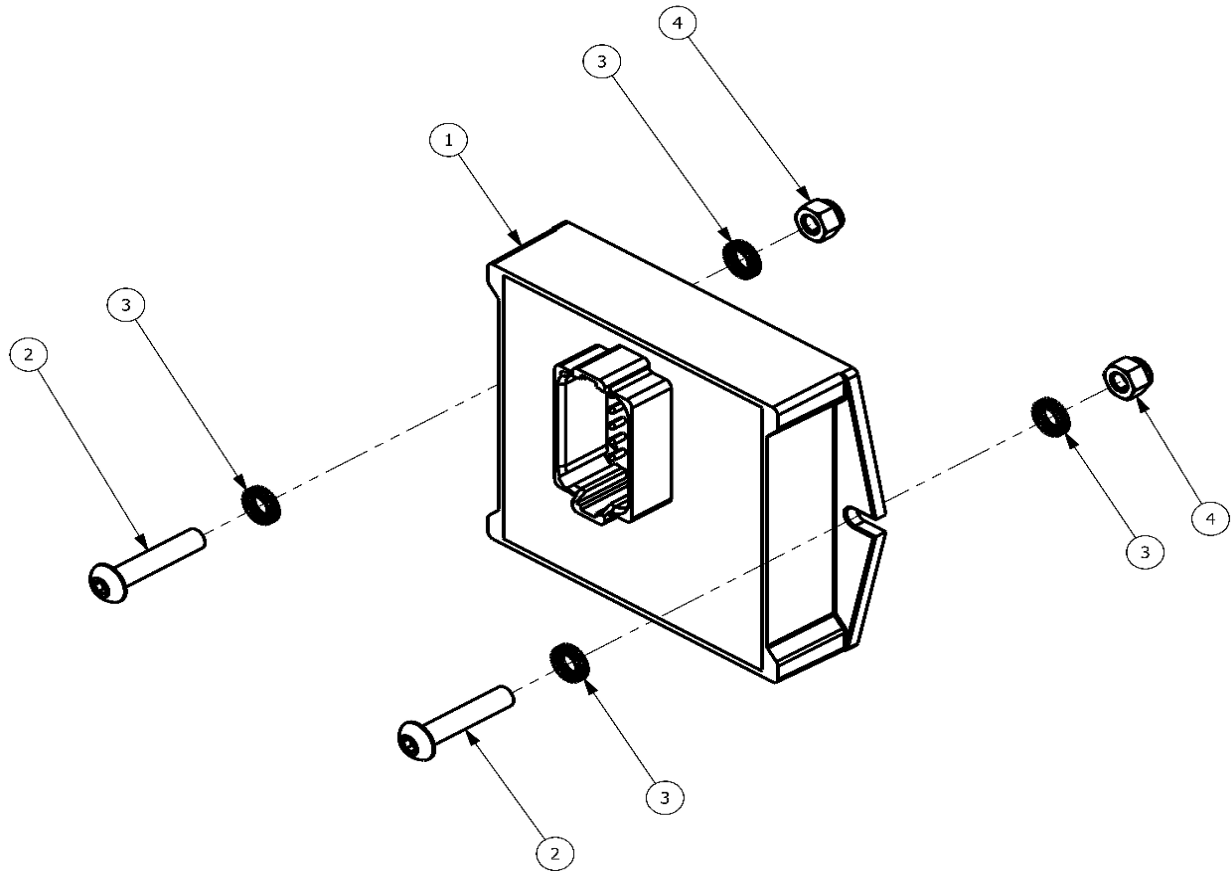
ITEM	PART#	NAME	QTY	UOM
1	OQE06265	OQ40-OQ120 OQSS DISPLAY	1	EA
2	OQE06266	OQ40-OQ120 OQSS CHASSIS MODULE	1	EA
3	OQ1800514	LOCK SENSOR E-VA	1	EA
4	OQE06267	BUZZER ASSY THREE WIRE DT06-4S	1	EA
5	OQE05983	HARNESS CONTROL MODULE	1	EA
6	OQE05991	HARNESS DISPLAY	1	EA
7	OQE06338	CABLE DT PL/PL PSI SENSOR 4M	1	EA
8	OQE05995	CABLE DT PL/PL VALVE 3M	1-3	EA
9	OQE05992	CABLE DT PL/PL CAB 3M	0-1	EA
10	OQE05993	CABLE DT PL/RCPT CAB EXT 3M (OPTION)	0-2	EA
11	OQE05994	CABLE DT PL/RCPT CAB EXT 6M (OPTION)	1	EA
12	OQE05998	CABLE DT PL/RCPT SENSOR 4M	1-3	EA
13	OQE05999	CABLE DT PL/RCPT SENSOR 10M	1-3	EA
14	OQE07560	CABLE 8-POS FEMALE M12/PL 3M	1	EA
15	30-00864	HEAT SHRINK 22-18 RING TERMINAL, 10-24	2	EA
	30-00865	HEAT SHRINK 22-18 RING TERMINAL, 1/4"	2	EA
	30-00866	HEAT SHRINK 22-18 RING TERMINAL, 3/8"	2	EA
	30-00879	HEAT SHRINK 16-14 RING TERMINAL, 10-24	1	EA
	30-00880	HEAT SHRINK 16-14 RING TERMINAL, 1/4"	1	EA
	30-00881	HEAT SHRINK 16-14 RING TERMINAL, 3/8"	1	EA
16	30-00465	16-14AWG Blue Crimp Butt Splice	3	<b>EA</b>
	30-00801	22-18AWG Red Crimp Butt Splice	3	EA
17	30-00862	INLINE FUSE HOLDER MINI	1	EA
18	30-00863	FUSE IOAMP MINI	1	EA
19	30-00877	CONNECTOR DUST PLUG AT06-2S-SS01	1-3	EA
20	OQE06340	SENSOR PRESSURE 7500 PSI 04MB DT	1	EA
21a	OQ4120613	VALVE- LOCK/OPEN POWERBOOST	1	EA
21b	OQ4129351	LOCK VALVE/POWER BOOST 12V (OQ40 / 45-5)	1	EA
22a	OQ4123124	VALVE- DEPRESSURIZATION 24V DT (OQ60-5- OQ120)	1	EA
22b	OQ4123125	DEPRESSURIZATION VALVE DOUBLE, 12V (OQ60-5- OQ120)	1	EA
23	30-00894	CORRUGATED SPLIT LOOM .125" ID	30	FT
24	30-00892	ZIP TIE .098" X 3.9" BLACK	15	EA
25	30-00893	ZIP TIE .098" X 3.9" RED	15	EA
26	OQE07037	CABLE DT PL/RCPT VALVE EXT 3M	0-3	EA

## 1.2 - DISPLAY MODULE



ITEM	PN#	NAME	QTY	UOM
1	OQE06265	OQ40-OQ120 OQSS DISPLAY	1	EA
2	OQE05390	PLATE BENT M835 MOUNT	1	EA
3	OQE06268	RAM MT-DIAMOND BALL BASE-B	1	EA
4	OQ7072033	WASHER NORDLOCK MS - 9.0 X 1.8	4	EA
5	OQ7060140	SCREW MCGS M5x22 12.9	2	EA
6	50-01096	NUT NYLOCK MS - 0.8 Z	2	EA
7	OQE05783	RAM MT SHORT ARM-B	1	EA
8	OQE05905	RAM MT-SUCTION BASE-B BALL	1	EA

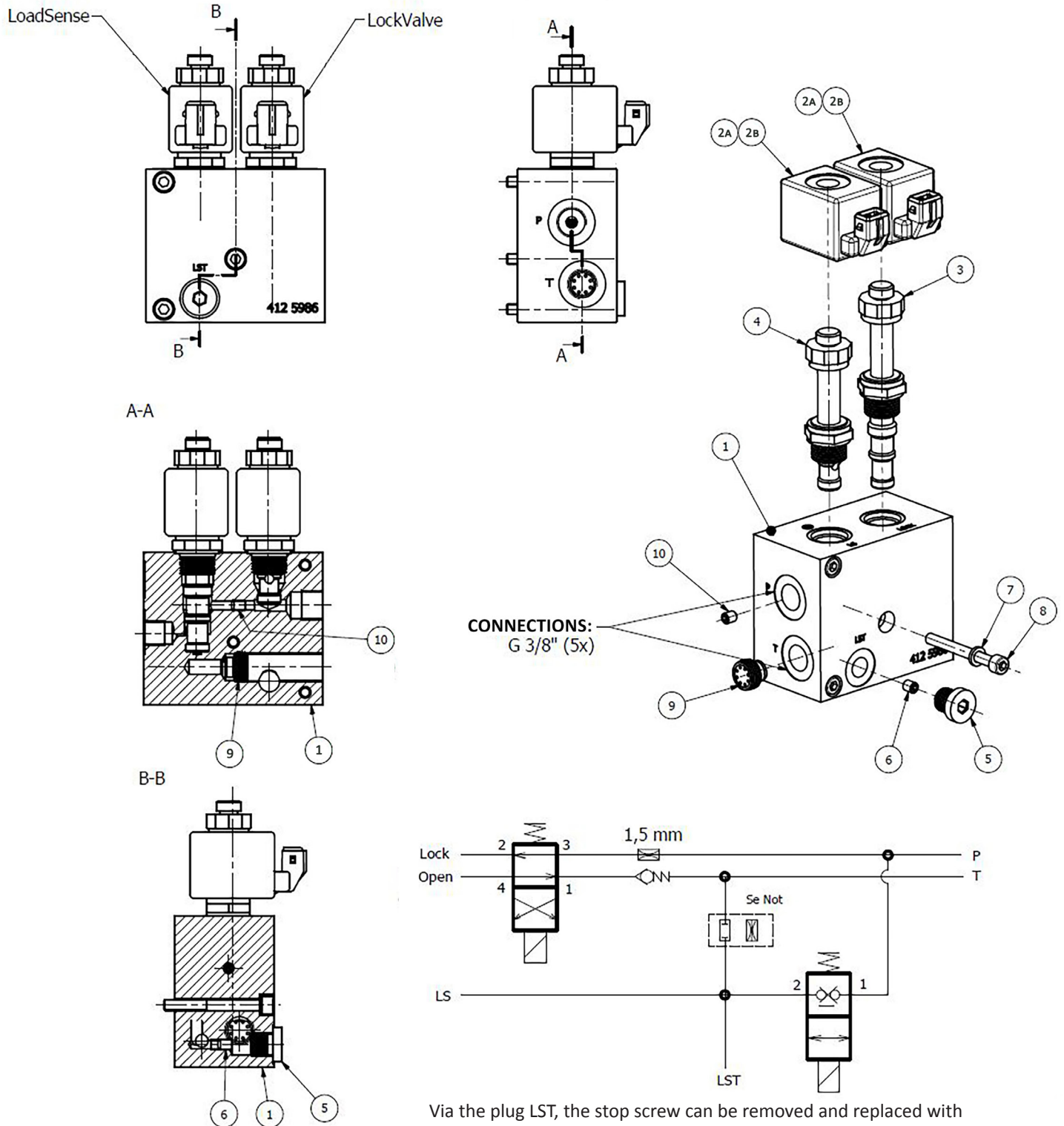
### 1.3 - CHASSIS MODULE



ITEM	PN#	NAME	QTY	UOM
1	OQE06266	OQ40-OQ120 OQSS CHASSIS MODULE	1	EA
2	50-01348	BH CS M5 - 0.80 X 25 Z-10.9	2	EA
3	OQ7072033	WASHER NORDLOCK M5 - 9.0 X 1.8	4	EA
4	50-01096	NUT NYLOCK M5 - 0.8 Z_	2	EA

## 2.0 - CONTROL VALVES

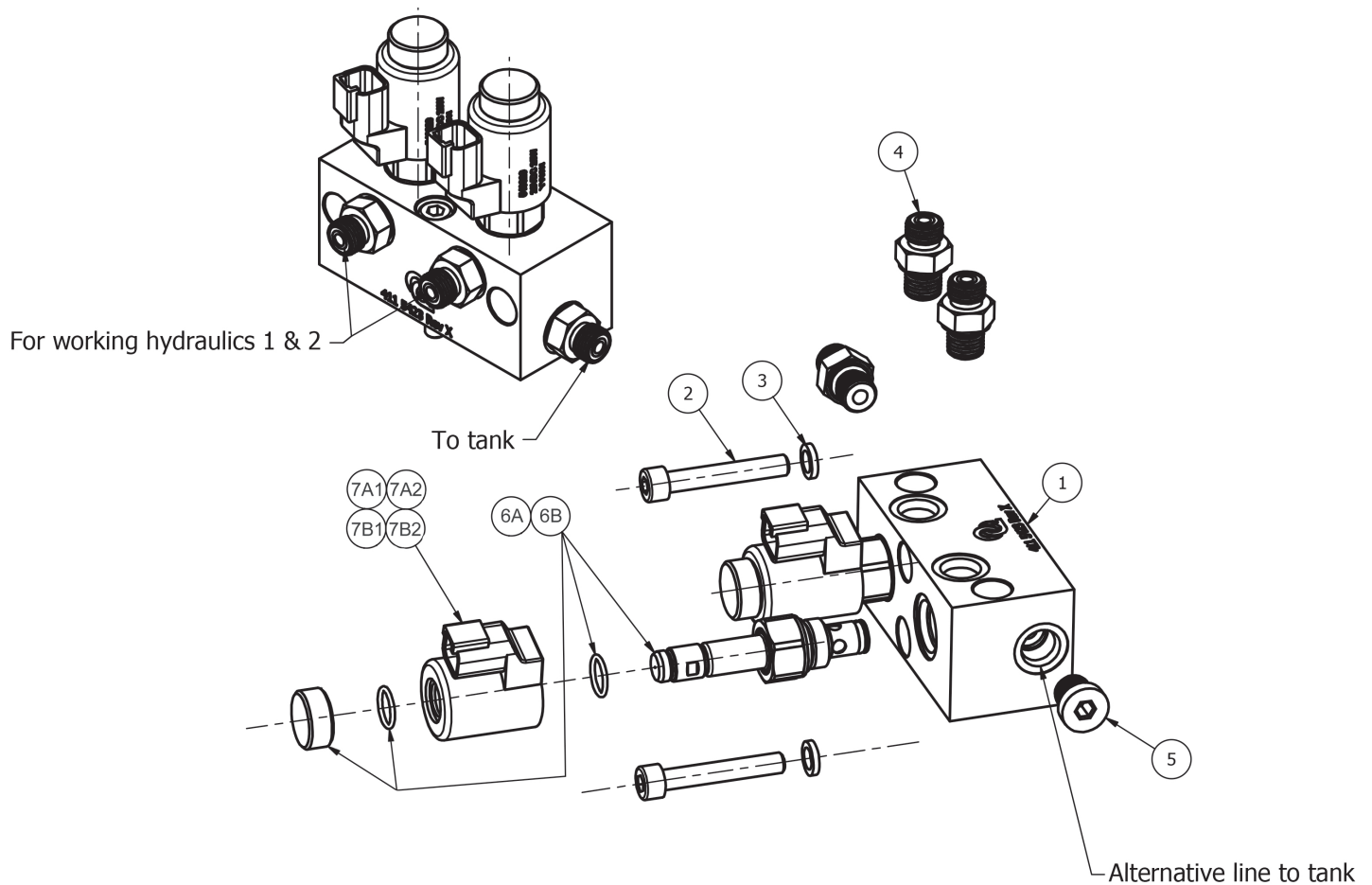
### 2.1 - OQ4120613 - LOCK/PRESSURE BOOST VALVE (12 VDC OQ4129351)



Hydraulic components cleanliness requirements according to OQ 600 0109

ITEM	PN#	NAME	QTY	UOM
1	OQ4125986	LOCK - POWERBOOST VALVE BLOCK	1	EA
2A	OQ7005057	SOLENOID 24V LOCK-POWER BOOST VALVE	2	EA
2B	OQ7005079	SOLENOID 12V LOCK VALVE/POWER BOOST	2	EA
3	OQ7005053	VALVE CARTRIDGE 6/2 (LOCKING SIDE)	1	EA
4	OQ7005054	VALVE CARTRIDGE 2/2 (POWERBOOST SIDE)	1	EA
5	OQ7200283	FTG-HYD 04MBSPP PLUG SEALE	1	EA
6	OQ7060011	SCREW SK6SS M6x8	1	EA
7	OQ7072020	WASHER NORDLOCK MG	3	EA
8	OQ7060076	SCREW MC6S M6x55 12.9	3	EA
9	OQ7009024	LOCK- POWER BOOST CHECK VALVE	1	EA
10	OQ4125987	M6 ORIFICE {1.SMM)	1	EA

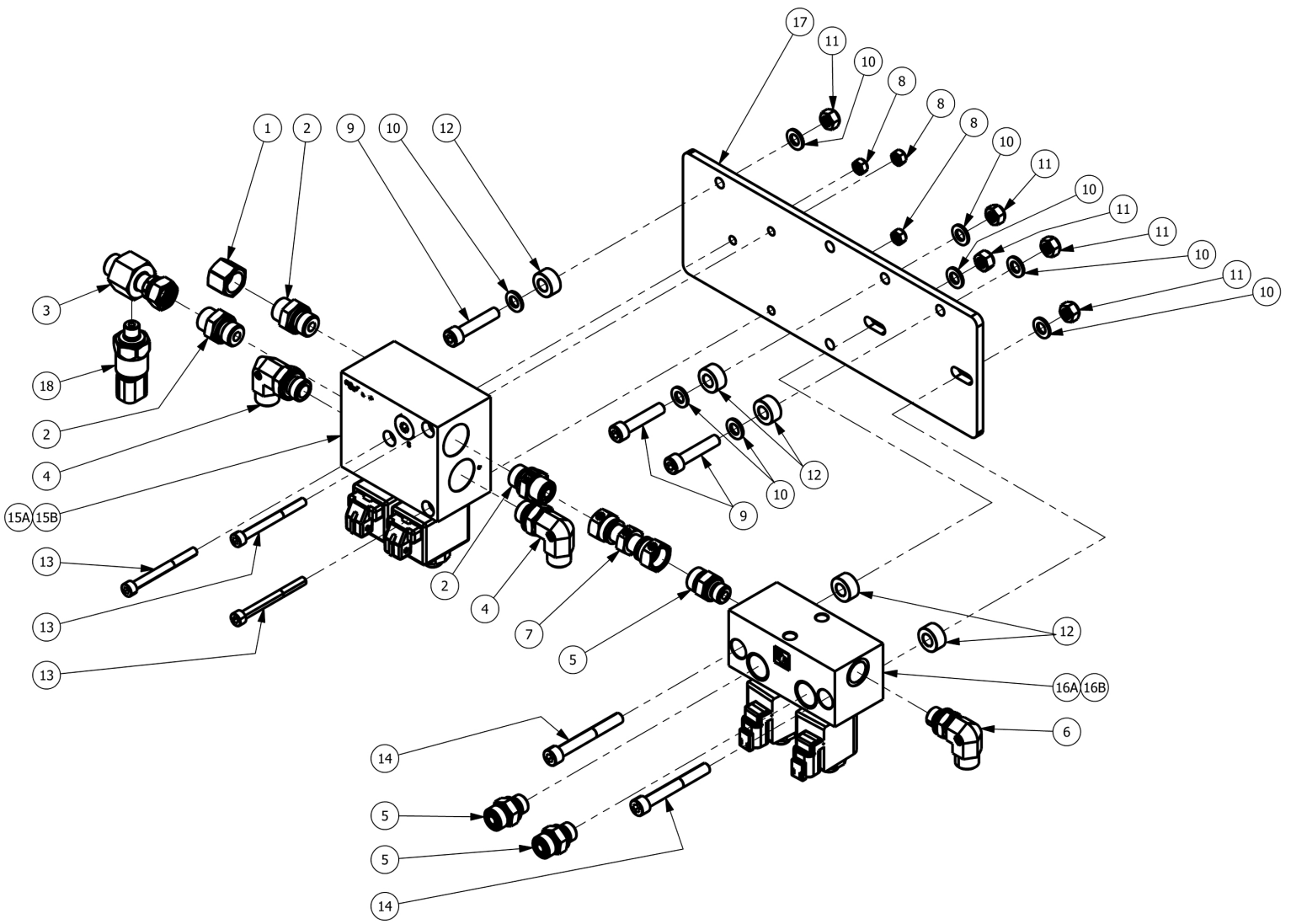
## 2.2 - OQ4123124 - DEPRESSURIZATION VALVE (12 VDC OQ4123125)



ITEM	PART#	NAME	QTY	UOM
1	OQ4115423	HYDRAULIC BLOCK, DEPRESSURIZING KIT	1	EA
2	OQ7060056	SCREW MC6S MS - 1.25 x 80 12.9	2	EA
3	50-00773	WASHER NORDLOCK M8	2	EA
4	OQ7200207	NIPPLE ORFS04 UF-M14xI,S UF	3	EA
5	OQ7200214	PLUG M14xI,5	2	EA
6A	OQ7005082	VALVE CARTRIDGE 2/2 PRV WTB	2	EA
6B	OQ7005069	VALVE CARTRIDGE 2/2 PRV PARKER	2	EA
7A1	OQ7005083	SOLENOID 28V, DT, DEPRESSURIZING	2	EA
7B1	OQ7005070	SOLENOID 24V, DT, DEPRESSURIZING SQUARE	2	EA
7A2	OQ7005084	SOLENOID 12V, DT, DEPRESSURIZING ROUND	2	EA
7B2	OQ7005071	SOLENOID 12V, DT, DEPRESSURIZING SQUARE	2	EA



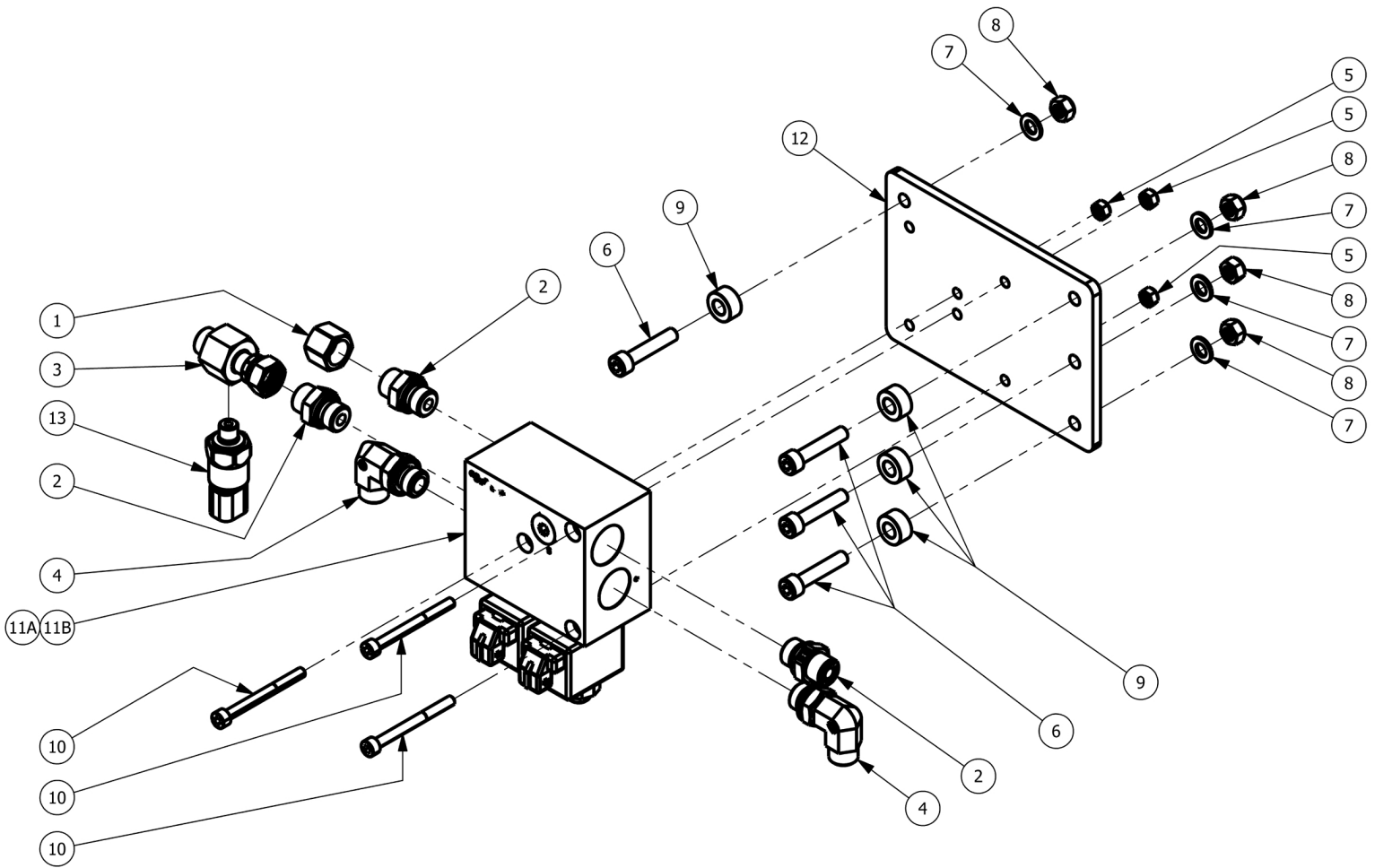
### 2.3 - FACTORY VALVE ASSEMBLY (OQ60 - OQ120)



\*\*\*NOT ALL COMPONENTS USED IN ALL INSTALLATIONS\*\*\*

ITEM	PART#	NAME	QTY	UOM
1	40-00371	FTG-HYD 06FOX CAP	1	EA
2	40-00516	FTG-HYD 06MBSPP-06MO	3	EA
3	40-00522	FTG-HYD 06FOX-06MO-04FB DIAGNOSTIC TEE	1	EA
4	40-02103	FTG-HYD 06MBSPP-06MO-90	2	EA
5	40-02252	FTG-HYD 06MO-M14 ISO 6149	3	EA
6	40-02289	FTG-HYD 14MM-06MB-90	1	EA
7	40-02417	FTG-HYD 06FOX-06FOX	1	EA
8	50-00191	NUT NYLOCK M6 - 1.00 Z_I0	3	EA
9	50-00437	SH CS M8 - 1.25 X 40 Z 12.9	3	EA
10	50-00493	WASHER M8-16.0 X 1.6 Z	9	EA
11	50-00754	NUT NYLOCK M8 Z_I0.9	5	EA
12	50-00837	SPACER 0.375" X 0.750" X 0.375"	5	EA
13	50-00839	SH CS M6 - 1.00 X 65 12.9	3	EA
14	50-00844	SH CS M8 - 1.25 X 65 Z_12.9	2	EA
15a	OQ4120613	VALVE - LOCK/OPEN POWERBOOST	1	EA
15b	OQ4129351	LOCK VALVE/POWER BOOST 12V (OQ40 / 45-5}	1	EA
16a	OQ4123124	VALVE - DEPRESSURIZATION 24V DT	1	EA
16b	OQ4123125	DEPRESSURIZATION VALVE DOUBLE, 12V	1	EA
17	OQE01048	MOUNT PLATE OQ COUPLED VERSION	1	EA
18	OQE06340	SENSOR PRESSURE 7500 PSI 04MB DT	1	EA

### 2.3 - FACTORY VALVE ASSEMBLY (OQ40 - OQ45-5)



\*\*\*NOT ALL COMPONENTS USED IN ALL INSTALLATIONS\*\*\*

ITEM	PART#	NAME	QTY	UOM
1	40-00371	FTG-HYD 06FOX CAP	1	EA
2	40-00516	FTG-HYD 06MBSPP-06MO	3	EA
3	40-00522	FTG-HYD 06FOX-06MO-04FB DIAGNOSTIC TEE	1	EA
4	40-02103	FTG-HYD 06MBSPP-06MO-90	2	EA
5	50-00191	NUT NYLOCK M6 - 1.00 Z 10	3	EA
6	50-00437	SH CS MS - 1.25 X 40 Z 12.9	4	EA
7	50-00493	WASHER M8 - 16.0 X 1.6 Z	4	EA
8	50-00754	NUT NYLOCK MS Z 10.9	4	EA
9	50-00837	SPACER 0.375" X 0.750" X 0.375"	4	EA
10	50-00839	SH CS M6 - 1.00 X 65 12.9	3	EA
11a	OQ4120613	LOCKING VALVE OQLS/OQCS	1	EA
11b	OQ4129351	LOCK VALVE/POWER BOOST 12V (OQ40 / 45-5)	1	EA
12	OQE01878	MOUNT PLATE OQ LOCK VALVE OQ40_OQ45	1	EA
13	OQE06340	SENSOR PRESSURE 7500 PSI 04MB DT	1	EA

Dealer:



OilQuickAmericas  
155 Main Street  
Superior, WI 54880  
Phone: 262.607.8425  
Fax: 715.395.3703

E-mail: [info@oilquickamericas.com](mailto:info@oilquickamericas.com)  
Web: [www.oilquickamericas.com](http://www.oilquickamericas.com)