

**Manufacturer:**

OilQuickAmericas  
155 Main Street  
Superior, WI 54880  
Phone: 262.607.8425  
Fax: 715.395.3703

E-mail: [info@oilquickamericas.com](mailto:info@oilquickamericas.com)  
Web: [www.oilquickamericas.com](http://www.oilquickamericas.com)

**When ordering spare parts:**

- Include the part number, description and desired quantities.
- Include your complete address.
- Specify how the parts are to be delivered.





## TABLE OF CONTENTS

### OQ70

#### 1.0 - QUICK COUPLER

1.1 - OQ70 COUPLER .....	4
--------------------------	---

#### 2.0 - INSTALL COMPONENTS

2.1 - HOSE CLAMPS .....	8
2.1.1 - OQ4119447 - HOSE CLAMP 1" .....	8
2.1.2 - OQ4119426 - HOSE CLAMP 1" + 1/2" .....	9
2.1.3 - OQ4129702 - HOSE CLAMP 1" + 3/4" .....	10
2.1.4 - OQ4119435 - HOSE CLAMP 1" + 3/4" + 1/2" .....	11
2.1.5 - OQ4124038 - HOSE CLAMP 1" + 2" X 1/2" .....	12
2.1.6 - OQ4119458 - HOSE CLAMP SPACER KIT .....	13
2.2 - OQ5110941 - GUIDE BLOCK MANIFOLD (DRAIN CROSSOVER) .....	14
2.3 - OQE06347 - ASSEMBLY GUIDE BLOCK OQ65+ .....	15

#### 3.0 - LOCK SUPPORT

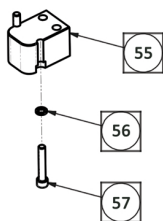
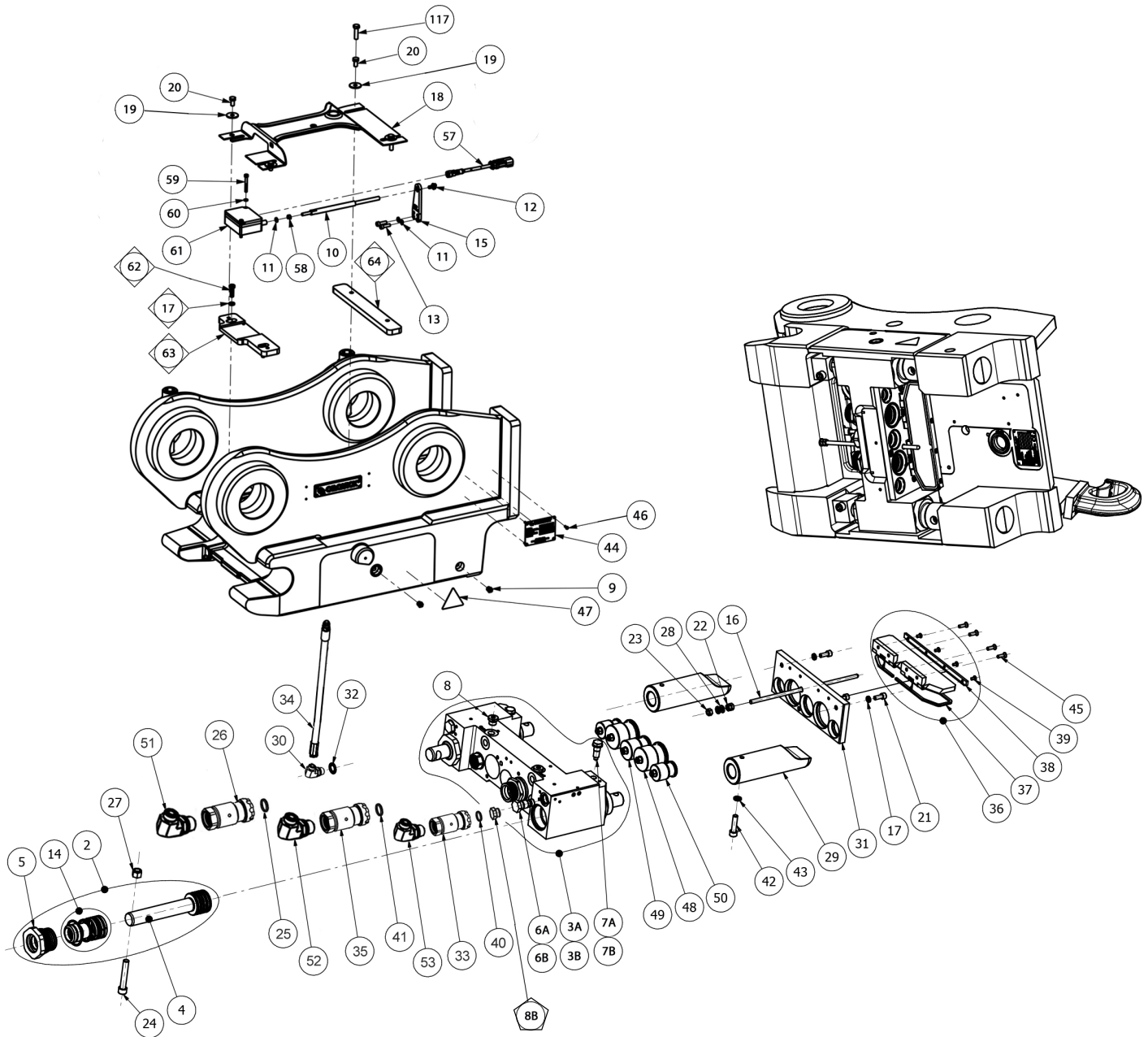
3.1 - OQ5116281 - FIRST AID KIT OQ70 .....	16
--	----




#### 4.0 - ATTACHMENT FRAMES

4.1 - OQ4120601 - D-FRAME .....	17
4.2 - OQ4113911 - C-FRAME .....	18
4.3 - OQ4118852 - SPLIT BLOCKS .....	22
4.4 - OQE05946 - MECHANICAL FRAME .....	25

# 1.0 - COUPLER

## 1.1 - OQ70 COUPLER



-  1. Plugs used on H-cylinder 2.0 to plug pilot operated check valve, Item #7b.
-  2. Items used on retrofitted couplers without sensor mounting holes present on coupler body.
-  3. Items used on OQ70/55 chassis 2.0.

ITEM	PN#	NAME	QTY	UOM
1	OQ411XXXX	QUICK COUPLER OQ70	1	EA
2	OQ4117513	PISTON ROD H-CYL. OQ70 COMPL.	2	EA
3A	OQ4117951	H-CYLINDER OQ70	1	EA
3B	OQ4115828	PISTON ROD OQ70 H-CYLINDER 2.0	2	EA
4	OQ4115828	PISTON ROD	2	EA
5	OQ4117512	PISTON GUIDE	2	EA
6A	OQ7009012	CHECK VALVE 4CK30-I-S3-A9	2	EA
6B	OQ7009001	PILOT OPERATED CHECK VALVE H-CYL 2.0	1	EA
7A	OQ7008004	PRESSURE RELIEF VALVE	2	EA
7B	OQ7008001	PRESSURE RELIEF VALVE H-CYL 2.0	2	EA
8A	OQ7200224	PLUG VSTI M16x1,5 ED	2	EA
8B	OQ7200224	PLUG VSTI M16x1,5 ED (SEE NOTE 1)	2	EA
9	OQ7205005	GREASE NIPPLE M10x1,5	4	EA
10	OQE05931	OQ70 E-VA ROD-211MM	1	EA
11	50-00905	WASHER NORDLOCK M6	4	EA
12	50-01346	FH CS M6 - 1.0 X 12 Z_8.8	1	EA
13	50-00081	SH CS M6 - 1.00 X 20 Z_12.9	2	EA
14	OQ7020231	SEAL KIT H-CYL. OQ70	2	EA
15	OQE06971	OQ70 SENSOR BRACKET	1	EA
16	OQ4110907	OPENING BAR OQ70-70/55	1	EA
17	50-00773	WASHER NORDLOCK M8	5	EA
18	OQE06611	GUARD ASSY OQSS OQ70	1	EA
19	OQ7072035	WASHER FNDR M8 - 28.0 Z	4	EA
20	OQ7060004	SCREW M6S M8 - 1.25 x 16 8.8 FZB	4	EA
21	OQ7060079	SCREW MC6S M8 - 1.25 x 20 12.9	3	EA
22	50-00482	NUT M6M M8 FZB	2	EA
23	50-00754	NUT M6M M8 NYLOCK	1	EA
24	OQ7060148	SCREW MC6S M12x70 12.9	2	EA
25	OQ7020132	NOSE SEAL 1"	2	EA
26	OQ4118454	HYDRAULIC COUPLING 1" - M33, FEMALE	2	EA
27	OQ7065005	NUT- M12 NYLOCK	2	EA

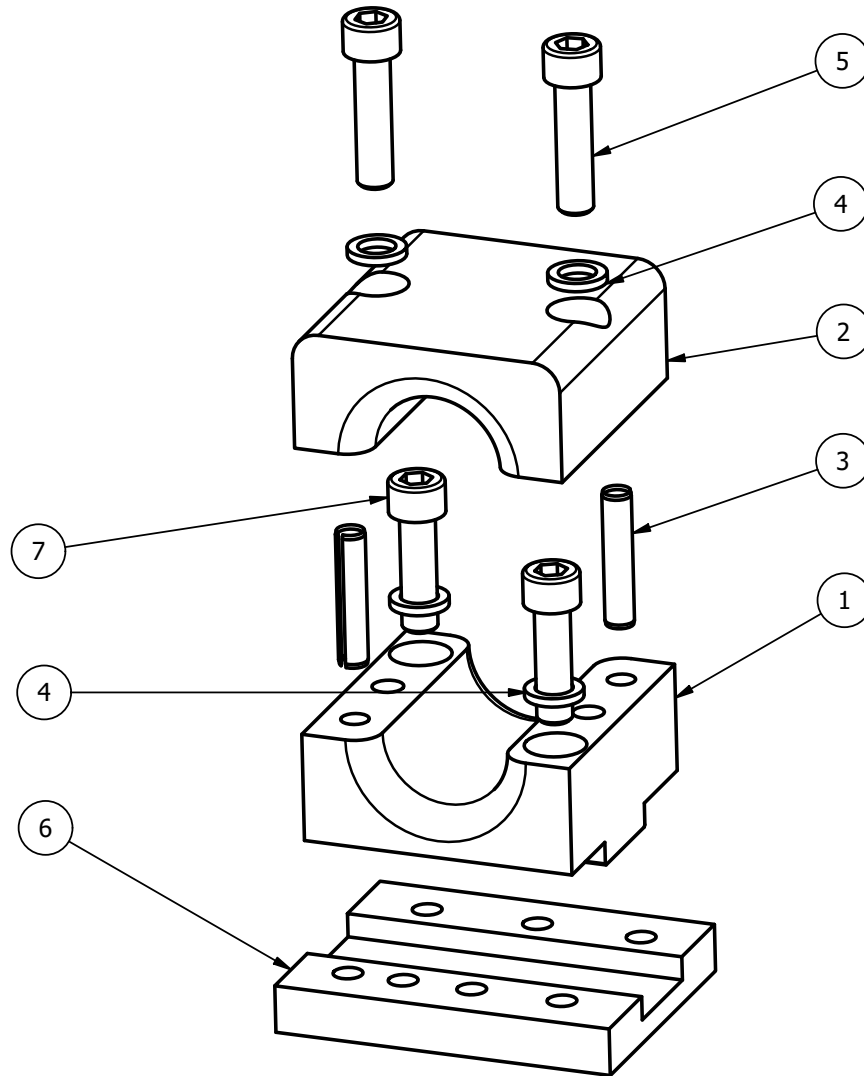
ITEM	PN#	NAME	QTY	UOM
28	OQ7072035	WASHER FNDR M8 - 28.0 Z	2	EA
29	OQ4114075	LOCKING PLUNGER OQ70-70/55 Ø30	2	EA
30	OQ7200209	ELBOW ORFS06 UF-M16x1,5 UF 90° ADJ	2	EA
31	OQ4115919	GUIDE PLATE OQ70	1	EA
32	OQ7200155	SEAL WASHER M16	2	EA
33	OQ4118550	HYDRAULIC COUPLING 1/2", FEMALE	2	EA
34	OQE04546	HOSE-HYD 04M2TMTF-06FOX-06FOX-43.25CL	2	EA
35	OQ4118524	HYDRAULIC COUPLING 3/4", FEMALE	1	EA
36	OQ4114580	DIRT GUARD OQ70	1	EA
37	OQ4115211	RUBBER SEAL, DIRT GUARD	1	EA
38	OQ4114419	GUIDE	1	EA
39	OQ7060136	SCREW MF6S M5x10 10.9	4	EA
40	OQ7020130	NOSE SEAL 1/2"	2	EA
41	OQ7020131	NOSE SEAL 3/4"	1	EA
42	OQ7060110	SCREW MC6S M10x40 12.9	2	EA
43	50-00682	WASHER NORDLOCK M10	2	EA
44	OQE04743	SERIAL TAG - OILQUICK AMERICAS	1	EA
45	OQ7060091	SCREW MF6S M6x20 10.9	4	EA
46	50-01065	DRIVE SCREW #6 X 3/8 STAINLESS RIVET	4	EA
47	OQ7410059	PINCH DECAL	2	EA
48	OQ4121131	POLY ADAPTER 1", H-CYLINDER	2	EA
49	OQ4121134	POLY ADAPTER 3/4", H-CYLINDER	1	EA
50	OQ4121137	POLY ADAPTER 1/2", H-CYLINDER	2	EA
51	OQ7200229	ELBOW ORFS16 UF-M33x2 UF 90° ADJ	1	EA
52	OQ7200228	ELBOW ORFS12 UF-M27x2 UF 90° ADJ	1	EA
53	OQ7200227	ELBOW ORFS08 UF-M22x1,5 UF 90° ADJ	1	EA
54	OQ4132213	CHASSIS 2.0 H-CYL MOUNT OQ70 70/55 OQ80	2	EA
55	50-00682	WASHER NORDLOCK M10 - 16.6 X 2.5 1244	4	EA
56	OQ7060190	SCREW MC6S M10x60 12.9	4	EA
57	OQE07560	CABLE 8-POS FEMALE M12/PL 3M	1	EA
58	50-00082	NUT M6 - 1.00 Z_8	1	EA

ITEM	PN#	NAME	QTY	UOM
59	50-01095	SH CS M5 - 0.8 X 40 Z_12.9	1	EA
60	OQ7072033	WASHER NORDLOCK M5 - 9.0 X 1.8	2	EA
61	OQ1800514	LOCK SENSOR E-VA	1	EA
62	50-01372	SH CS M8 - 1.25 X 25 Z_8.8 LOW PROFILE	2	EA
63	OQE07082	OQSS RETRO MOUNT PLATE OQ70	1	EA
64	OQE06572	OQSS RETRO SPACER PLATE OQ70 - OQ80	1	EA

## 2.0 - INSTALL COMPONENTS

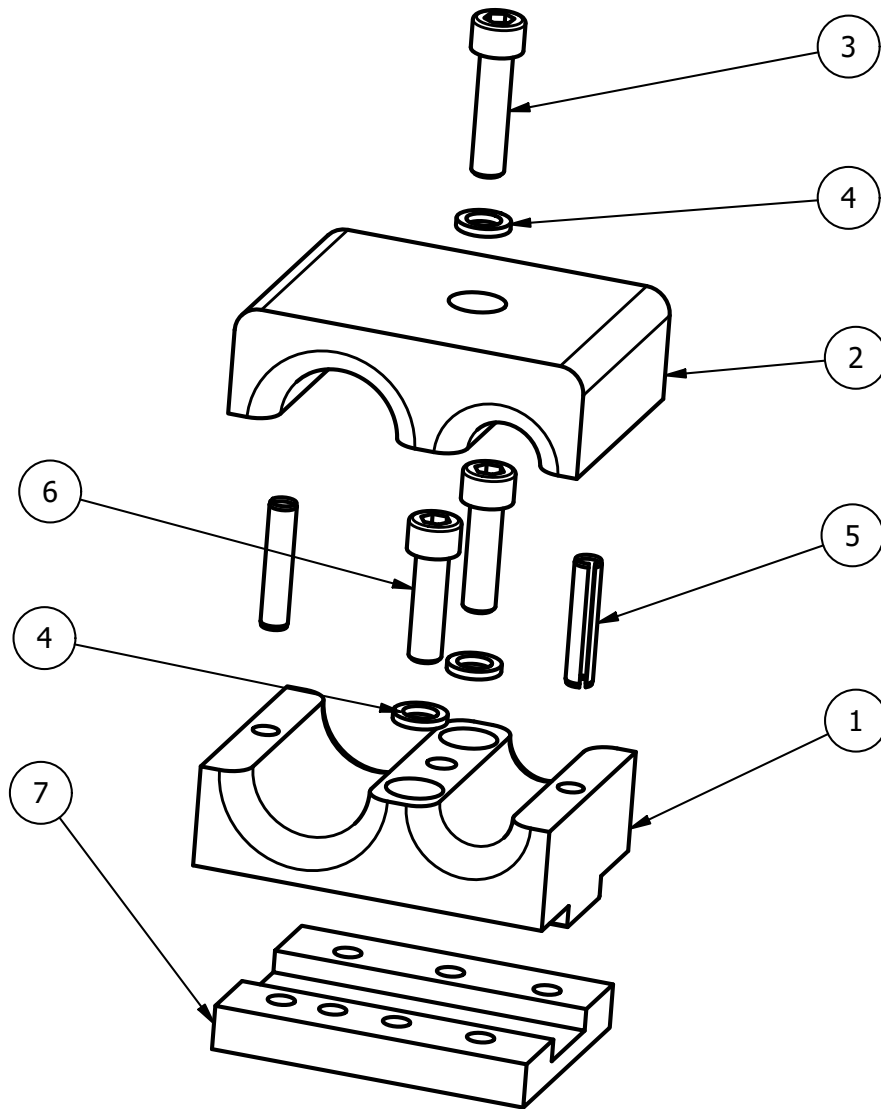
### 2.1 - HOSE CLAMPS

#### 2.1.1 - OQ4119447 - HOSE CLAMP 1"



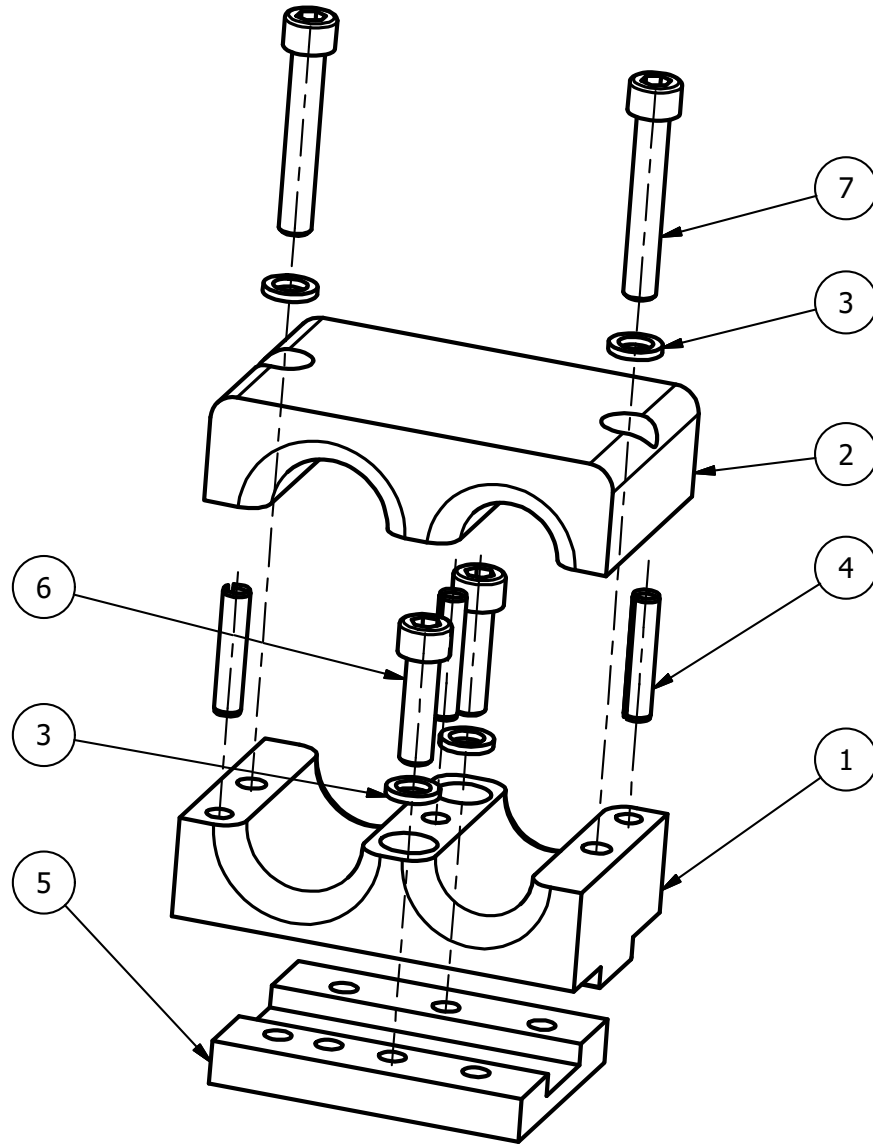
ITEM	PN#	NAME	QTY	UOM
1	OQ4119449	BASE HOSE HOLDER	1	EA
2	OQ4119448	UPPER HOSE HOLDER	1	EA
3	OQ7189026	SPRING PIPE STICK FRP 8X40 DIN 1481	2	EA
4	OQ7072028	LOCK WASHER NORLOCK M10	4	EA
5	OQ7060110	SCREW MC6S 10X40	2	EA
6	OQ4119391	WELDING PLATE	1	EA
7	OQ7060099	SCREW MC6S 10X35	2	EA

## 2.1.2 - OQ4119426 - HOSE CLAMP 1" + 1/2"



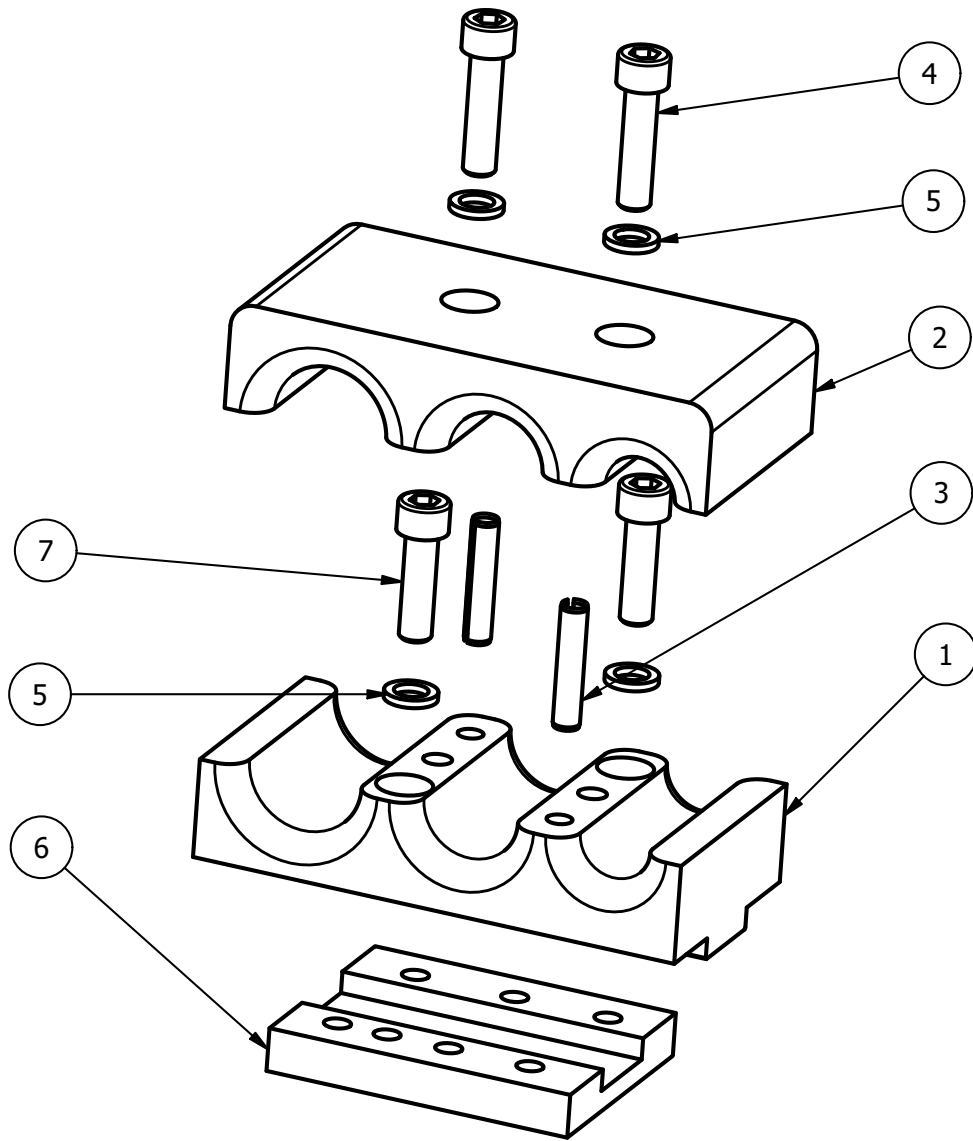
ITEM	PN#	NAME	QTY	UOM
1	OQ4119428	BASE HOSE HOLDER - 1" + 1/2"	1	EA
2	OQ4119427	UPPER HOSE HOLDER - 1" + 1/2"	1	EA
3	OQ7060110	SCREW MC6S 10X40	1	EA
4	OQ7072028	LOCK WASHER NORLOCK M10	3	EA
5	OQ7089026	SPRING PIPE STICK	2	EA
6	OQ7060099	SCREW MC6S 10X35	2	EA
7	OQ4119391	WELDING PLATE	1	EA

2.1.3 - OQ4129702 - HOSE CLAMP 1" + 3/4"



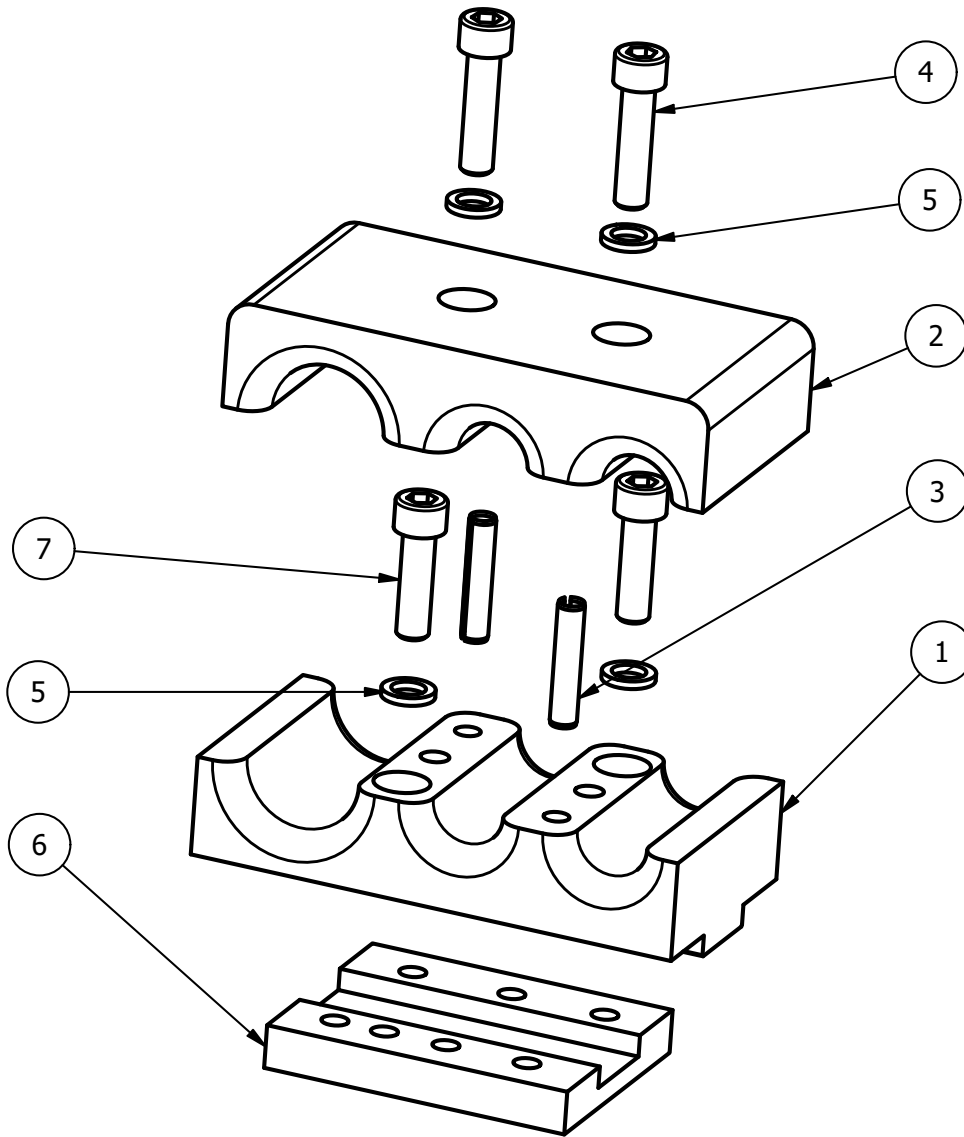
ITEM	PN#	NAME	QTY	UOM
1	OQ4129701	BASE HOSE HOLDER - 1" + 3/4"	1	EA
2	OQ4129700	UPPER HOSE HOLDER - 1" + 3/4"	1	EA
3	OQ7072028	LOCK WASHER NORLOCK M10	4	EA
4	OQ7089026	SPRING PIPE STICK	3	EA
5	OQ4119391	WELDING PLATE	1	EA
6	OQ7060099	SCREW MC6S 10X35	2	EA
7	OQ7060190	SCREW MC6S 10X60(12.9)	2	EA

## 2.1.4 - OQ4119435 - HOSE CLAMP 1" + 3/4" + 1/2"



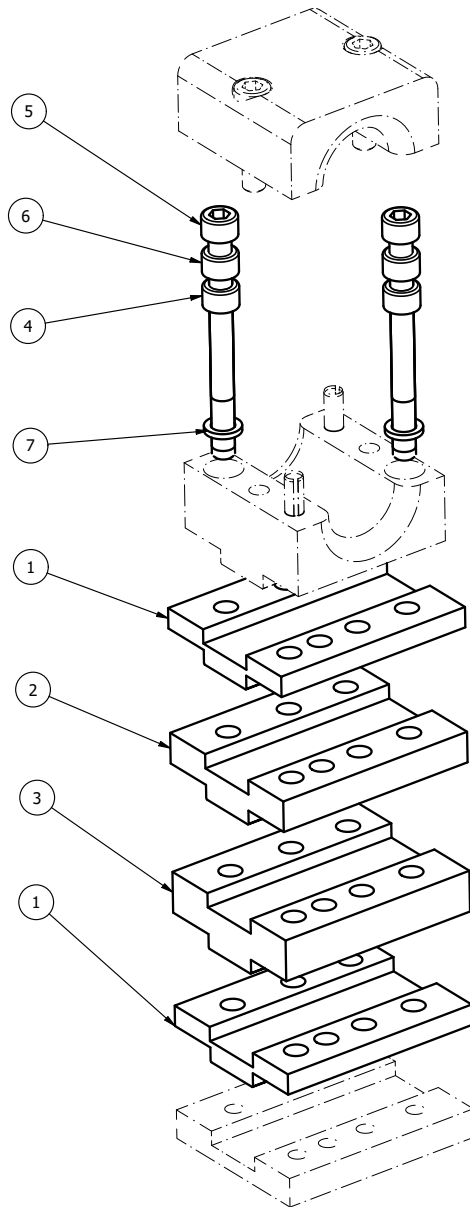
ITEM	PN#	NAME	QTY	UOM
1	OQ4119437	BASE HOSE HOLDER 1"+3/4"+1/2"	1	EA
2	OQ4119436	UPPER HOSE HOLDER 1"+3/4"+1/2"	1	EA
3	OQ7089026	SPRING PIPE STICK FRP 8x40 DIN 1481	2	EA
4	OQ7060110	SCREW MC6S 10x40	2	EA
5	OQ7072028	LOCK WASHER NORDLOCK M10	4	EA
6	OQ4119391	WELDING PLATE	1	EA
7	OQ7060099	SCREW MC6S M10x35 8.8 FZB	2	EA

2.1.5 - OQ4124038 - HOSE CLAMP 1" + 2" X 1/2"



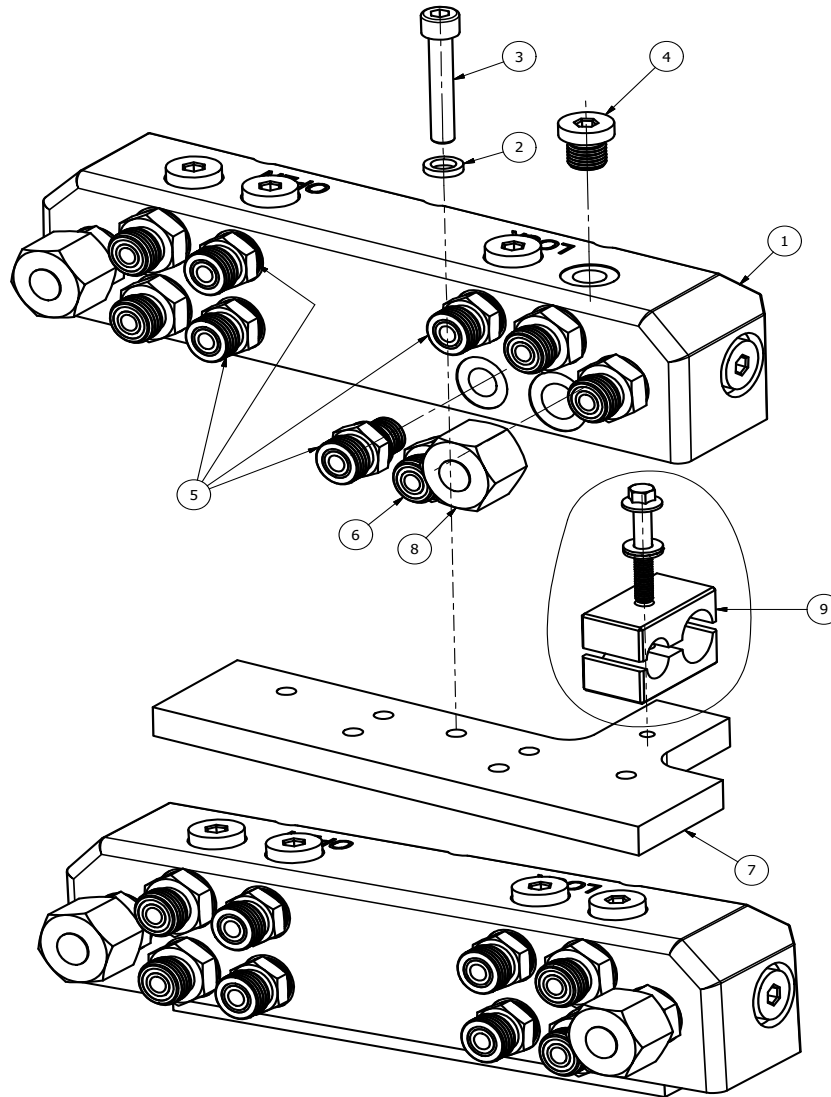
ITEM	PN#	NAME	QTY	UOM
1	OQ4124040	BASE HOSE HOLDER 1" 2 X 1/2"	1	EA
2	OQ4124039	UPPER HOSE HOLDER 1" 2 X 1/2"	1	EA
3	OQ7089026	SPRING PIPE STICK FRP 8X40 DIN 1481	2	EA
4	OQ7060110	SCREW MC6S 10X40	2	EA
5	OQ7072028	LOCK WASHER NORLOCK M10	4	EA
6	OQ4119391	WELDING PLATE	1	EA
7	OQ7060099	SCREW MC6S 10X35	2	EA

## 2.1.6 - OQ4119458 - HOSE CLAMP SPACER KIT



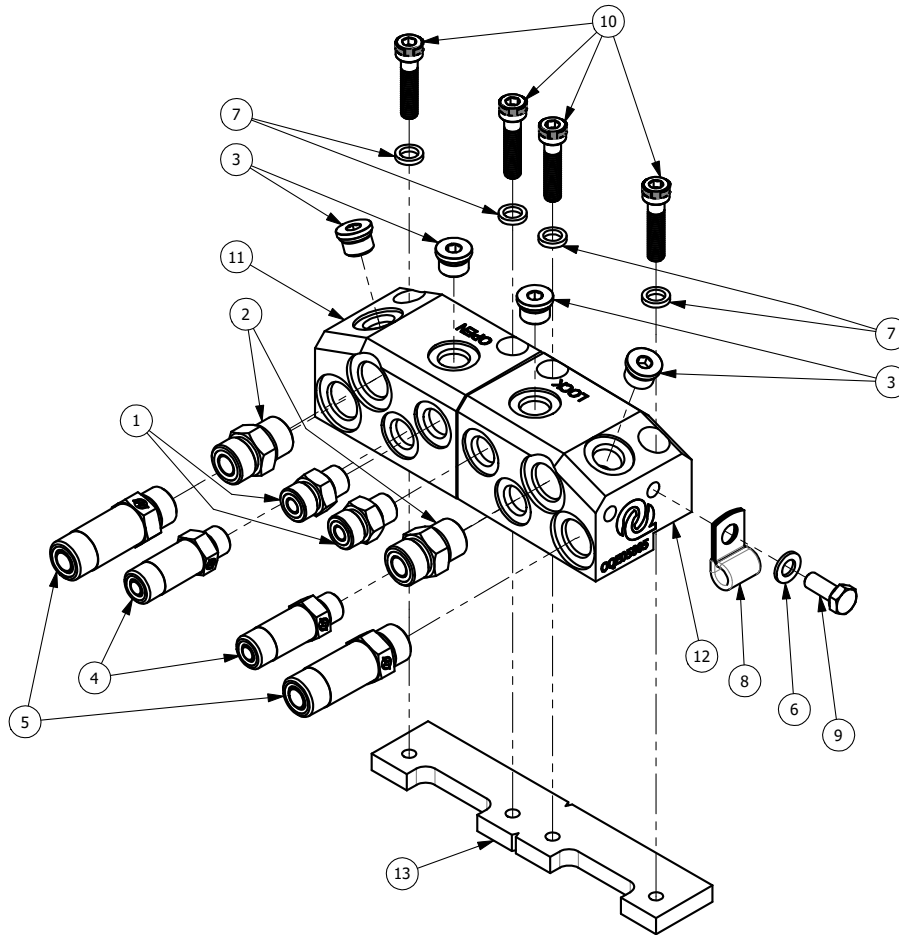
ITEM	PN#	NAME	QTY	UOM
1	OQ4119392	SPACER 10MM, HOSE CLAMP	2	EA
2	OQ4119393	SPACER 15MM, HOSE CLAMP	1	EA
3	OQ4119459	SPACER 20MM, HOSE CLAMP	1	EA
4	OQ7060146	SCREW MC6S M10x70 12,9	2	EA
5	OQ7060205	SCREW MC6S M10x80 12.9	2	EA
6	OQ7060177	SHCS MC6S M10-1.50 x90 12.9	2	EA
7	50-00682	WASHER NORDLOCK M10 - 16.6 X 2.5 1244	2	EA

## 2.2 - OQ5110941 - GUIDE BLOCK MANIFOLD (DRAIN CROSSOVER)



ITEM	PN#	NAME	QTY	UOM
1	OQ4121328	HYDR.BLOCK, LOCK-, 1/2"- & DRAIN	1	EA
2	OQ7072021	WASHER NORDLOCK M8	3	EA
3	OQ7060102	SCREW MC6S M8 - 1.25 x 45	3	EA
4	OQ7200283	PLUG G1/4" ED	6	EA
5	OQ7200213	NIPPLE ORFS06 UF-M14x1,5 UF	4	EA
6	OQ7200249	NIPPLE ORFS08 UF-M16x1,5 UF	6	EA
7	OQ4115481	BRACKET, LOCKING CIRCUIT	1	EA
8	OQ7200002	BLIND NUT ORFS08IF	2	EA
9	OQ5180116	BRACES - COMPLETE	1	EA

## 2.3 - OQE06347 - ASSEMBLY GUIDE BLOCK OQ65+



ITEM	PART#	NAME	QTY	UOM
1	40-00088	FTG-HYD 06MB-06MO	2	EA
2	40-00314	FTG-HYD 08MB-08MO	2	EA
3	40-02866	FTG-HYD 06MB PLUG HOLLOW HEX	4	EA
4	40-03032	FTG-HYD 06MB-06MO-L	2	IN
5	40-03033	FTG-HYD 08MB-08MO-L	2	EA
6	50-00493	WASHER M8 - 16.0 X 1.6 Z	1	EA
7	50-00773	WASHER NORDLOCK M8 - 13.5 X 2.5 1231	4	EA
8	50-00872	P-CLIP M10 3/8" DIA X 3/4" W	1	EA
9	50-00931	HH CS M8-1.00 X 20 Z_8.8	1	EA
10	OQ7060078	SCREW MC6S M8 - 1.25 x 35 Z_12.9	4	EA
11	OQE05804	GUIDE BLOCK OQ65+ SPLIT-CAB	1	EA
12	OQE05805	GUIDE BLOCK OQ65+ SPLIT-TANK	1	EA
13	OQE05806	GUIDE BLOCK PLATE OQ65+	1	EA

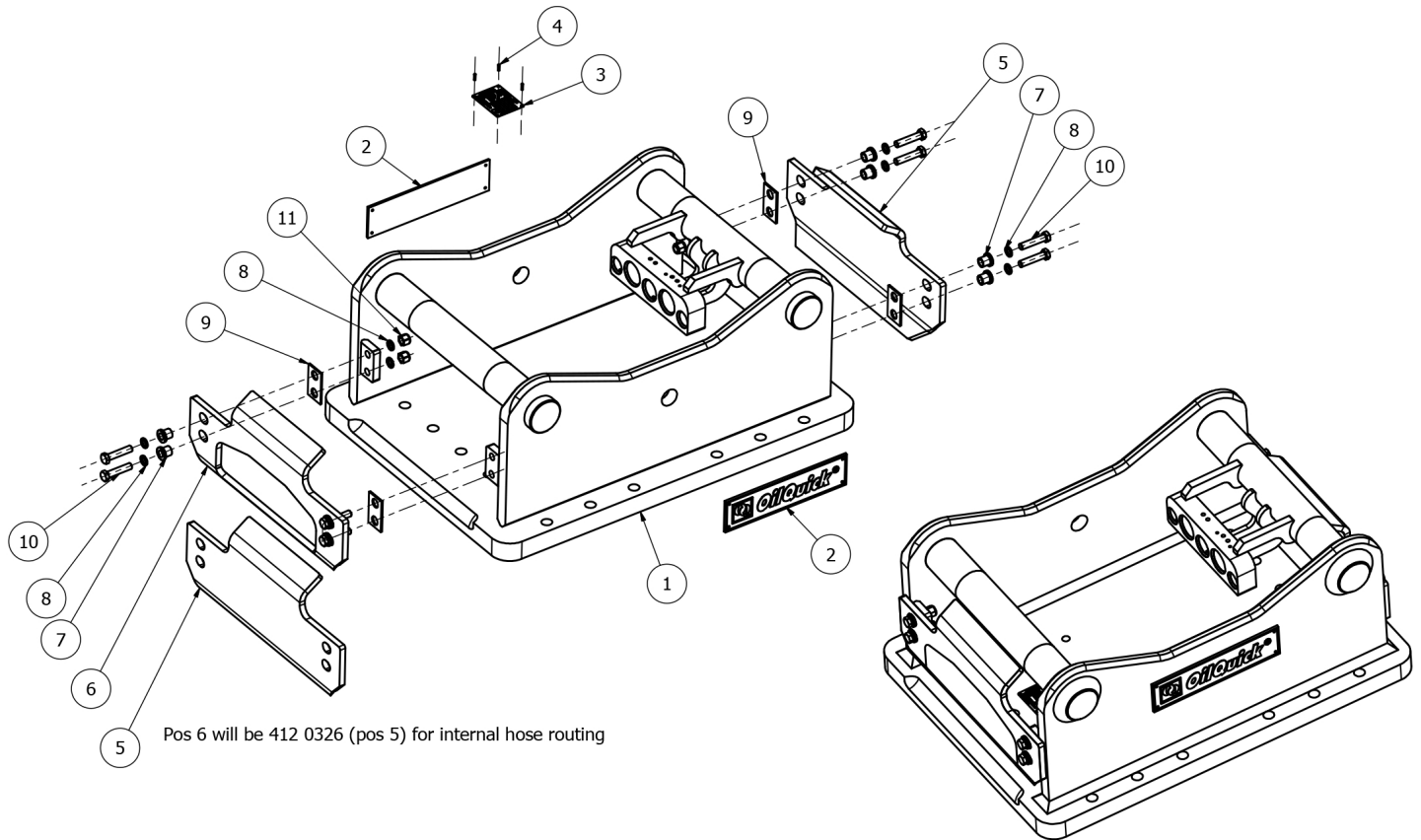
### 3.0 - SERVICE COMPONENTS

#### 3.1 - OQ5116281 - FIRST AID KIT OQ80

ITEM	PN#	NAME	QTY	UOM
1	OQ7020130	NOSE SEAL 1/2"	4	EA
2	OQ7020131	NOSE SEAL 3/4"	4	EA
3	OQ7020132	NOSE SEAL 1"	4	EA
4	OQ4112220	PUSHER 1/2"	1	EA
5	OQ4112221	PUSHER 3/4"	1	EA
6	OQ4112222	PUSHER 1"	1	EA
7	OQ4116298	MOUNTING TOOL 1/2"	1	EA
8	OQ4116296	MOUNTING TOOL 3/4"	1	EA
9	OQ4116295	MOUNTING TOOL 1"	1	EA
10	OQ7410094	DECAL FIRST AID KIT	1	EA
11	OQ7406065	FIRST AID KIT BOX	1	EA

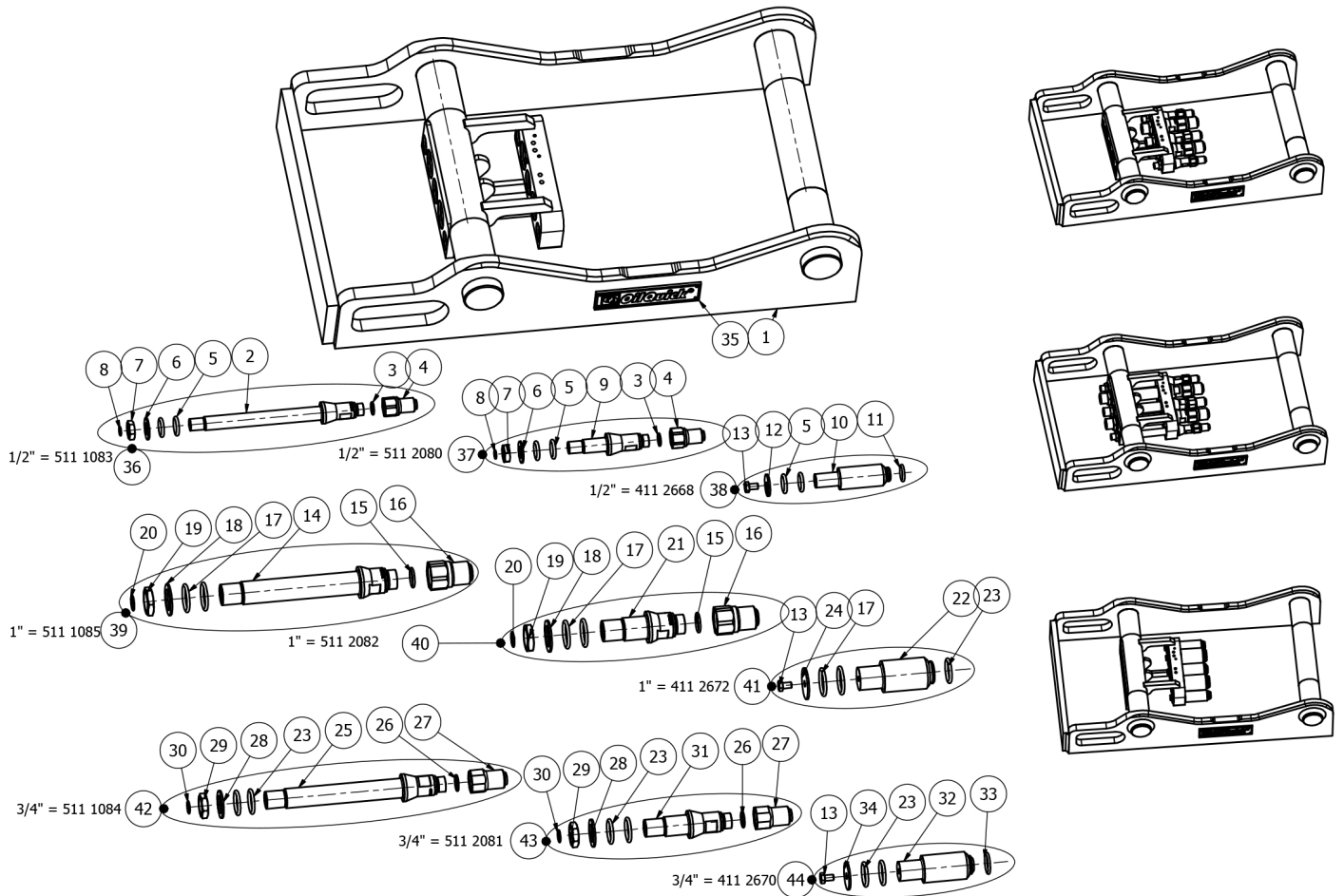
## 4.0 - ATTACHMENT FRAME

### 4.1 - OQ4120601 - D-FRAME



ITEM	PN#	NAME	QTY	UOM
1	OQ411XXXX	ATTACHMENT BRACKET	1	EA
2	OQ4116271	EMBLEM - OILQUICK - OQ70-OQ120	2	EA
3	OQ4118161	OILQUICK IDENTIFICATION PLATE	1	EA
4	OQ7093007	POP RIVET A 3,2x12,5	4	EA
5	OQ4120326	PROTECTION PLATE, OQ70 TOOL APAPTER	2	EA
6	OQ4120327	PROTECTION PLATE, OQ70 TOOL APAPTER	1	EA
7	OQ4120324	SLEEVE - PROTECTION PLATE TOOL ADAPT	8	EA
8	OQ7072007	WASHER NORDLOCK M12-19.5 X 2.5 1262	16	EA
9	OQ4120567	RUBBER SPACER OQ60-70/55	4	EA
10	OQ7060217	HH CS M12 x 55 8.8_FZB	8	EA
11	OQ7065005	NUT- M12 NYLOCK	8	EA

## 4.2 - OQ4113911 - C-FRAME

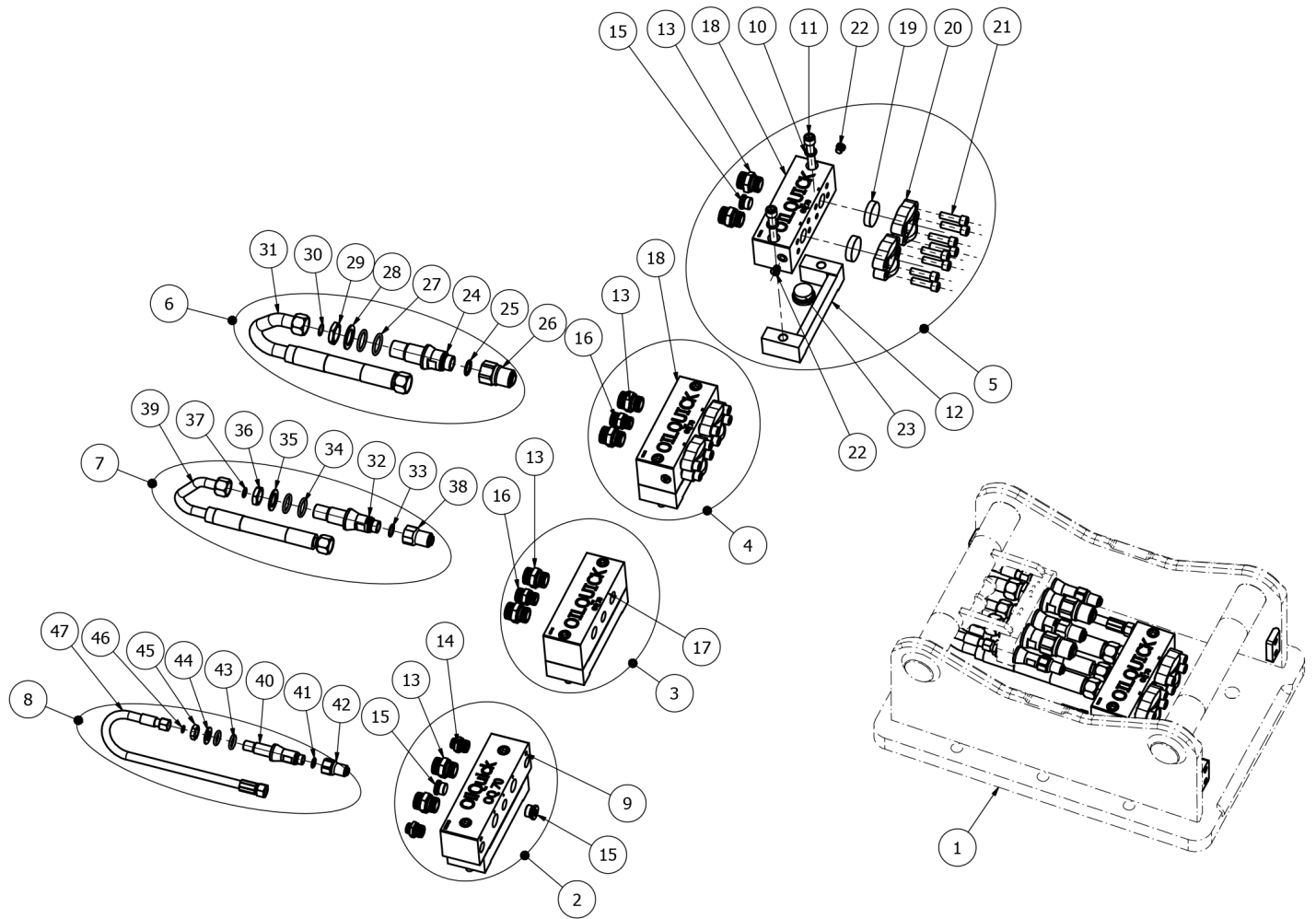


ITEM	PN#	NAME	QTY	UOM
1	OQ412XXXX	ATTACHMENT FRAME	1	EA
2	OQ4113918	BULKHEAD 1/2" LONG OQ70/55	2	EA
3	OQ7160048	O-RING 17,6x2,62 NBR70	2	EA
4	OQ7206017	HYDRAULIC COUPLING 1/2", MALE	2	EA
5	OQ7160042	O-RING 24x5 NBR70	4	EA
6	OQ4112316	WASHER 0.750 - 1.49 X 0.12 P	2	EA
7	40-00451	NUT 13/16"-16UN, T=9	2	EA
8	OQ7160045	O-RING-014 -08MO (12,42x1,78) NBR 90D	2	EA
9	OQ4113605	BULKHEAD 1/2" SHORT OQ70/55 OQ80	2	EA
10	OQ4112667	POLY ADAPTER 1/2"	2	EA
11	OQ7160031	RUBBER RING 22x4	2	EA
12	OQ4112660	WASHER 1/2"	2	EA
13	OQ7060118	SCREW	5	EA
14	OQ4113920	BULKHEAD 1" LONG OQ70/55	2	EA
15	OQ7160050	O-RING 28,17x3,52 NBR70	2	EA
16	OQ7206021	HYDRAULIC COUPLING 1", MALE	2	EA
17	OQ7160044	O-RING 40x5 NBR70	4	EA
18	OQ4112314	WASHER 1.375 - 2.16 X 0.12 P	2	EA
19	40-00499	NUT 1 7/16"-12UN, T=10,5	2	EA
20	OQ7160047	O-RING-021 -16MO (23,52x1,78) NBR 90D	2	EA
21	OQ4113607	BULKHEAD 1" SHORT OQ70/55 OQ80	2	EA
22	OQ4112671	POLY ADAPTER 1"	2	EA
23	OQ7160043	O-RING 34x5 NBR 70	4	EA
24	OQ4112658	WASHER 1"	2	EA
25	OQ4113919	BULKHEAD 3/4" LONG OQ70/55	1	EA
26	OQ7160049	O-RING 23,47x2,62 NBR70	2	EA
27	OQ7206019	HYDRAULIC COUPLING 3/4", MALE	1	EA
28	OQ4112315	WASHER 1.188 - 1.88 X 0.12 P	1	EA
29	40-00500	NUT 1 3/16"-12UN, T=10,5	1	EA
30	OQ7160046	O-RING-018 -12MO (18,77x1,78) NBR 90D	1	EA
31	OQ4113606	BULKHEAD 3/4" SHORT OQ70/55 OQ80	1	EA

ITEM	PN#	NAME	QTY	UOM
32	OQ4112669	POLY ADAPTER 1/2"	1	EA
33	OQ7160032	RUBBER RING 30x4	1	EA
34	OQ4112659	WASHER 3/4"	1	EA
35	OQ4116145	EMBLEM - OILQUICK - OQ45-OQ65	2	EA
36	OQ5111083	COUPLING KIT 1/2" LONG OQ70/55	2	EA
37	OQ5112080	COUPLING KIT 1/2" OQ70-90 NO BLOCK	2	EA
38	OQ4112668	POLY ADAPTER 1/2" OQ70-90	2	EA
39	OQ5111085	COUPLING KIT 1" LONG OQ70/55	2	EA
40	OQ5112082	COUPLING KIT 1" OQ70-90 NO BLOCK	2	EA
41	OQ4112672	POLY ADAPTER 1" OQ70-90	2	EA
42	OQ5111084	COUPLING KIT 3/4" LONG OQ70/55	1	EA
43	OQ5112081	COUPLING KIT 3/4" OQ70-90 NO BLOCK	1	EA
44	OQ4112670	POLY ADAPTER 3/4" OQ70-90	1	EA



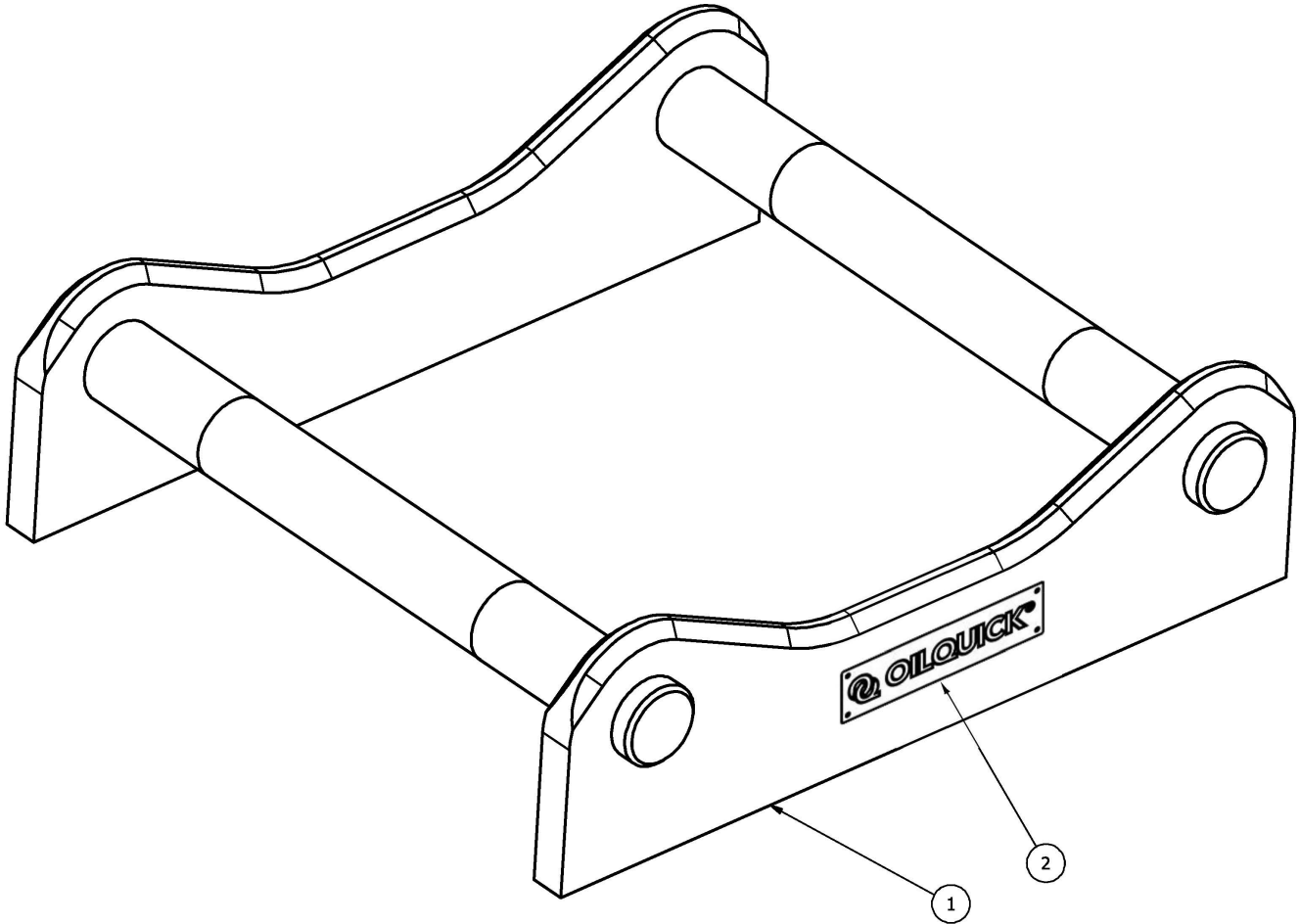
### 4.3 - OQ4118852 - SPLIT BLOCKS



ITEM	PN#	NAME	QTY	UOM
1	OQ411XXXX	ATTACHMENT FRAME	1	EA
2	OQ5116084	HYDR. BLOCK KIT 2x1", 2x1/2", OQ70	2	EA
3	OQ5116083	HYDR. BLOCK KIT 2x1", 1x3/4", OQ70	2	EA
4	OQ5116082	HYDR. COUPLING 2x1", 1x3/4" SPLIT	2	EA
5	OQ5116081	HYDR. BLOCK KIT 2x1" split, OQ70	4	EA
6	OQ5111108	COUPLING KIT 1" OQ70-80 BLOCK	2	EA
7	OQ5111107	COUPLING KIT 3/4" OQ70-80 BLOCK	2	EA
8	OQ5111106	COUPLING KIT 1/2" OQ70-90 BLOCK	2	EA
9	OQ7200285	HYDR. BLOCK 2x1", 1x3/4", 2x1/2"	2	EA
10	50-00734	NORDLKM16 - 25.4 X 3.3 1536	2	EA
11	50-00733	SCREW MC6S M16x140 8.8 FZB	2	EA
12	OQ4117947	SPACER, OQ70-80 TOOL ADAPTER	2	EA
13	OQ7200282	NIPPLE ORFS16 UF-G1" UF ED (40-02098)	5	EA
14	OQ7200280	NIPPLE 15L-G3/4" UF	2	EA
15	OQ7091010	PLUG G3/4" ED	2	EA
16	OQ7200281	NIPPLE ORFS12 UF-G3/4" UF ED	2	EA
17	OQ7200271	BLOCK	4	EA
18	OQ7200270	SPLITBLOCK	2	EA
19	OQ7207007	PLASTIC PLUG, SAE6 FLANGE 1 1/4"	2	EA
20	OQ7207006	SAE6 FLANGE 1 1/4"	2	EA
21	50-00167	SCREW MC6S M14x50 12.9	2	EA
22	OQ7200283	PLUG G1/4" ED	2	EA
23	OQ7200313	PLUG G1 1/4" ED	4	EA
24	OQ4113607	BULKHEAD 1" SHORT OQ70/55 OQ80	2	EA
25	OQ7160050	O-RING 28,17x3,52 NBR70	1	EA
26	OQ7206021	HYDRAULIC COUPLING 1", MALE	2	EA
27	OQ7160044	O-RING 40x5 NBR70	1	EA
28	OQ4112314	WASHER 1.375 - 2.16 X 0.12 P	1	EA
29	40-00499	NUT 1 7/16"-12UN, T=10,5	1	EA
30	OQ7160047	O-RING-021 -16MO (23,52x1,78) NBR 90D	1	EA
31	OQ7150213	HYDRAULIC HOSE/PIPE 1"	1	EA

ITEM	PN#	NAME	QTY	UOM
32	OQ4113606	BULKHEAD 3/4" SHORT OQ70/55 OQ80	1	EA
33	OQ7160049	O-RING 23,47x2,62 NBR70	1	EA
34	OQ7160043	O-RING 34x5 NBR 70	2	EA
35	OQ4112315	WASHER 1.188 - 1.88 X 0.12 P	1	EA
36	40-00500	NUT 1 3/16"-12UN, T=10,5	1	EA
37	OQ7160046	O-RING-018 -12MO (18,77x1,78) NBR 90D	1	EA
38	OQ7206019	HYDRAULIC COUPLING 3/4", MALE	1	EA
39	OQ7150214	HYDRAULIC HOSE/PIPE 3/4"	1	EA
40	OQ4113605	BULKHEAD 1/2" SHORT OQ70/55 OQ80	2	EA
41	OQ7160048	O-RING 17,6x2,62 NBR70	2	EA
42	OQ7206017	HYDRAULIC COUPLING 1/2", MALE	2	EA
43	OQ7160042	O-RING 24x5 NBR70	4	EA
44	OQ4112316	WASHER 0.750 - 1.49 X 0.12 P	2	EA
45	40-00501	NUT 13/16"-16UN, T=9	2	EA
46	OQ7160045	O-RING-014 -08MO (12,42x1,78) NBR 90D	2	EA
47	OQ7150215	HYDRAULIC HOSE 1/2" L=570	2	EA

#### 4.4 - OQE05946 - MECHANICAL ATTACHMENT FRAME



ITEM	PN#	NAME	QTY	UOM
1	OQE05947	OQ70 - MECHANICAL ATTACHMENT FRAME	1	EA
2	OQ4116271	EMBLEM - OILQUICK - OQ70-OQ120	2	EA
3	OQE04831	INSTRUCTION MECHANICAL ATTACHMENT FRAME	1	EA





Dealer:



OilQuickAmericas  
155 Main Street  
Superior, WI 54880  
Phone: 262.607.8425  
Fax: 715.395.3703

E-mail: [info@oilquickamericas.com](mailto:info@oilquickamericas.com)  
Web: [www.oilquickamericas.com](http://www.oilquickamericas.com)