

Manufacturer:

OilQuickAmericas
155 Main Street
Superior, WI 54880
Phone: 262.607.8425
Fax: 715.395.3703

E-mail: info@oilquickamericas.com
Web: www.oilquickamericas.com

When ordering spare parts:

- Include the part number, description and desired quantities.
- Include your complete address.
- Specify how the parts are to be delivered.

TABLE OF CONTENTS

OQ70/55

1.0 - QUICK COUPLER

| | |
|---|---|
| 1.1 - OQ4118786 - OQ70/55 - COUPLER | 4 |
|---|---|

2.0 - INSTALL COMPONENTS

| | |
|---|----|
| 2.1 - HOSE CLAMPS | 8 |
| 2.1.1 - OQ4119447 - HOSE CLAMP 1" | 8 |
| 2.1.2 - OQ4119426 - HOSE CLAMP 1" + 1/2" | 9 |
| 2.1.3 - OQ4129702 - HOSE CLAMP 1" + 3/4" | 10 |
| 2.1.4 - OQ4119435 - HOSE CLAMP 1" + 3/4" + 1/2" | 11 |
| 2.1.5 - OQ4124038 - HOSE CLAMP 1" + 2" X 1/2" | 12 |
| 2.1.6 - OQ4119458 - HOSE CLAMP SPACER KIT | 13 |
| 2.2 - OQ5110941 - GUIDE BLOCK MANIFOLD | 14 |

3.0 - LOCK SUPPORT

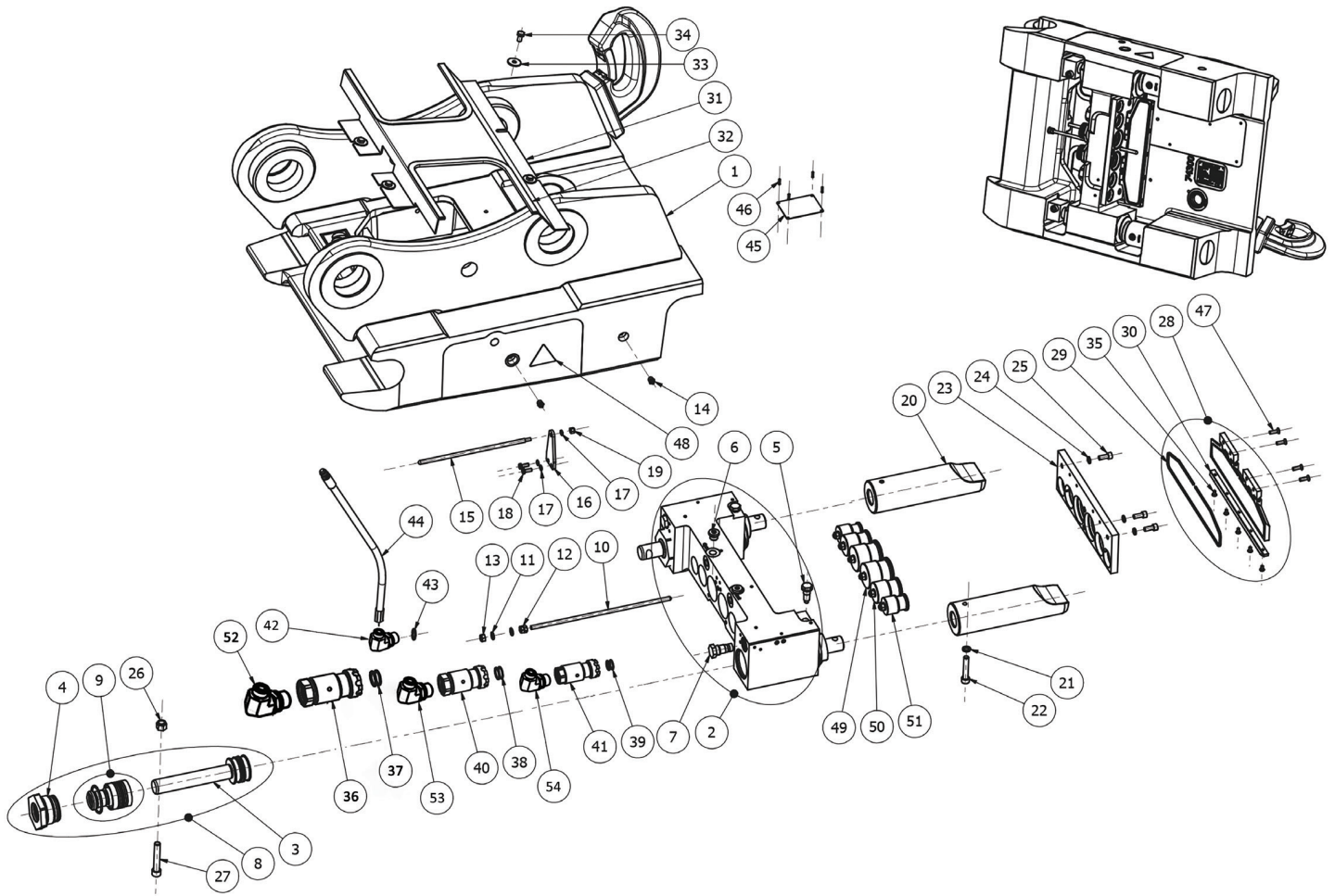
| | |
|--|----|
| 3.1 - OQ5190261 - OQLS 2.0 INSTALLATION KIT | 16 |
| 3.2 - OQ5190268 - STICK UNIT KIT OQLS 2.0 15MM | 18 |
| 3.3 - OQ5190340 - OQ70/55 OQLS 2.0 SENSOR KIT | 20 |
| 3.4 - OQ4120613 - LOCK VALVE | 22 |
| 3.5 - OQ4123124 - DEPRESSURIZATION VALVE | 24 |
| 3.6 - OQ5116281 - FIRST AID KIT OQ70/55 | 25 |

4.0 - ATTACHMENT FRAMES

| | |
|---|----|
| 4.1 - OQ4120602 - D-FRAME | 26 |
| 4.2 - OQ4113928 - C-FRAME | 28 |
| 4.3 - OQ4118439 - SPLIT BLOCKS | 32 |
| 4.4 - OQE05836 - MECHANICAL FRAME | 35 |

1.0 - COUPLER

1.1 - OQ4118786 - OQ70/55 COUPLER



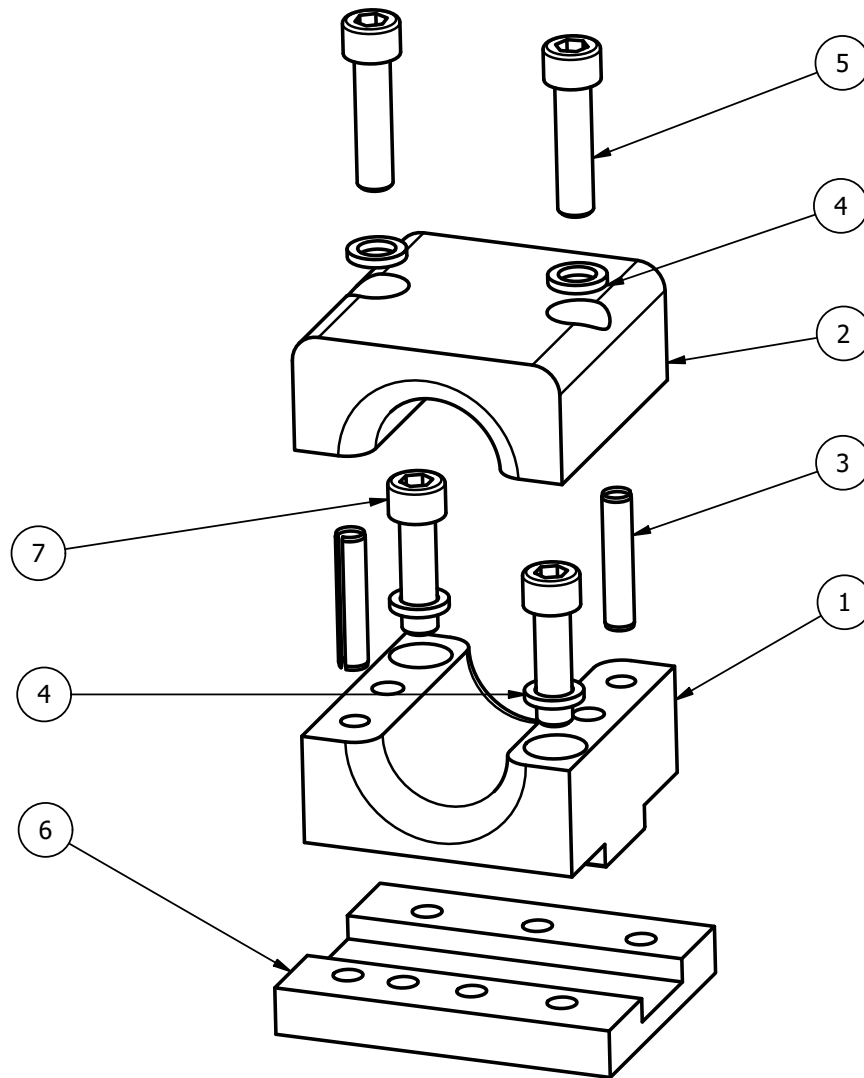
| ITEM | PN# | NAME | QTY | UOM |
|------|-----------|---|-----|-----|
| 1 | - | OQ70/55 QUICK COUPLER | 1 | EA |
| 2 | OQ4115817 | H-CYLINDER OQ70/55-80 | 1 | EA |
| 3 | OQ4115808 | PISTON ROD OQ70/55-80 | 2 | EA |
| 4 | OQ4115264 | GUIDE NUT, PISTON ROD OQ70/55-80 | 2 | EA |
| 5 | OQ7008004 | PRESSURE RELIEF VALVE | 2 | EA |
| 6 | OQ7200224 | PLUG VSTI M16x1,5 ED | 2 | EA |
| 7 | OQ7009012 | CHECK VALVE 4CK30-I-S3-A9 | 2 | EA |
| 8 | OQ4115265 | KIT-PISTON ROD H-CYL. OQ70/55-80 COMPL. | 2 | EA |
| 9 | OQ7020230 | SEAL KIT H-CYL OQ70/55-80 DOC | 1 | EA |
| 10 | OQ4110907 | OPENING BAR OQ70-70/55 | 1 | EA |
| 11 | OQ7072025 | WASHER M8 - 16.0 Z | 2 | EA |
| 12 | OQ7065011 | NUT M6M M8 FZB | 2 | EA |
| 13 | OQ7065001 | NUT M6M M8 NYLOCK | 1 | EA |
| 14 | OQ7205005 | GREASE NIPPLE M10x1,5 | 4 | EA |
| 15 | OQ4110668 | INDICATION BAR OQ70/55-80 | 1 | EA |
| 16 | OQ4110669 | INDICATOR BRACKET OQ70/55 | 1 | EA |
| 17 | OQ7072020 | WASHER NORDLOCK M6 | 3 | EA |
| 18 | OQ7060082 | SCREW M6S M6x14 8.8 FZB | 2 | EA |
| 19 | OQ7065021 | LOCKING NUT M6 NYLOCK | 1 | EA |
| 20 | OQ4114075 | LOCKING PLUNGER OQ70-70/55 Ø30 | 2 | EA |
| 21 | OQ7072028 | WASHER NORDLOCK M10 | 2 | EA |
| 22 | OQ7060182 | SCREW MC6LS M10x50 10.9 | 2 | EA |
| 23 | OQ4115362 | GUIDE PLATE OQ70/55-80 | 1 | EA |
| 24 | OQ7072021 | WASHER NORDLOCK M8 | 3 | EA |
| 25 | OQ7060079 | SCREW MC6S M8 - 1.25 x 20 12.9 | 3 | EA |
| 26 | OQ7065005 | NUT- M12 NYLOCK | 2 | EA |
| 27 | OQ7060148 | SCREW MC6S M12x70 12.9 | 2 | EA |
| 28 | OQ4114582 | DIRT GUARD OQ70/55-80 | 1 | EA |
| 29 | OQ4115211 | RUBBER SEAL, DIRT GUARD | 1 | EA |
| 30 | OQ4114420 | GUIDE LIP, DIRT GUARD OQ70/55-80 | 1 | EA |
| 31 | OQ4131283 | GUARD PLATE OQ70/55-80 | 1 | EA |
| 32 | OQ7165020 | EDGE PROTECTION 550 | 4 | EA |
| 33 | OQ7072035 | WASHER FNDR M8 - 28.0 Z | 4 | EA |

| ITEM | PN# | NAME | QTY | UOM |
|------|-----------|---|-----|-----|
| 34 | OQ7060004 | SCREW M6S M8 - 1.25 x 16 8.8 FZB | 4 | EA |
| 35 | OQ7060136 | SCREW MF6S M5x10 10.9 | 5 | EA |
| 36 | OQ4118454 | HYDRAULIC COUPLING 1" - M33 FEMALE | 2 | EA |
| 37 | OQ7020132 | NOSE SEAL 1" | 2 | EA |
| 38 | OQ7020131 | NOSE SEAL 3/4" | 2 | EA |
| 39 | OQ7020130 | NOSE SEAL 1/2" | 2 | EA |
| 40 | OQ4118524 | HYDRAULIC COUPLING 3/4", M27 FEMALE | 2 | EA |
| 41 | OQ4118550 | HYDRAULIC COUPLING 1/2", M22 FEMALE | 2 | EA |
| 42 | OQ7200209 | ELBOW ORFS06 UF-M16x1,5 UF 90° ADJ | 2 | EA |
| 43 | OQ7200155 | SEAL WASHER M16 | 2 | EA |
| 44 | OQE04546 | HOSE-HYD 04M2TMTF-06FOX-06FOX-43.25CL | 2 | EA |
| 45 | OQE04743 | OILQUICK IDENTIFACTION PLATE SERIAL TAG | 1 | EA |
| 46 | OQ7093007 | RIVET POP 3.2 x12.3 ALUMINUM | 4 | EA |
| 47 | OQ7060091 | SCREW MF6S M6x20 10.9 | 4 | EA |
| 48 | OQ7410059 | PINCH DECAL | 2 | EA |
| 49 | OQ4121131 | POLY ADAPTER 1", H-CYLINDER | 2 | EA |
| 50 | OQ4121134 | POLY ADAPTER 3/4", H-CYLINDER | 2 | EA |
| 51 | OQ4121137 | POLY ADAPTER 1/2", H-CYLINDER | 2 | EA |
| 52 | OQ7200229 | ELBOW ORFS16 UF-M33X2 UF 90° ADJ | 2 | EA |
| 53 | OQ7200228 | ELBOW ORFS12 UF-M27X2 UF 90° ADJ | 2 | EA |
| 54 | OQ7200227 | ELBOW ORFS08 UF-M22X1,5 UF 90° ADJ | 2 | EA |

2.0 - INSTALL COMPONENTS

2.1 - HOSE CLAMPS

2.1.1 - OQ4119447 - HOSE CLAMP 1"

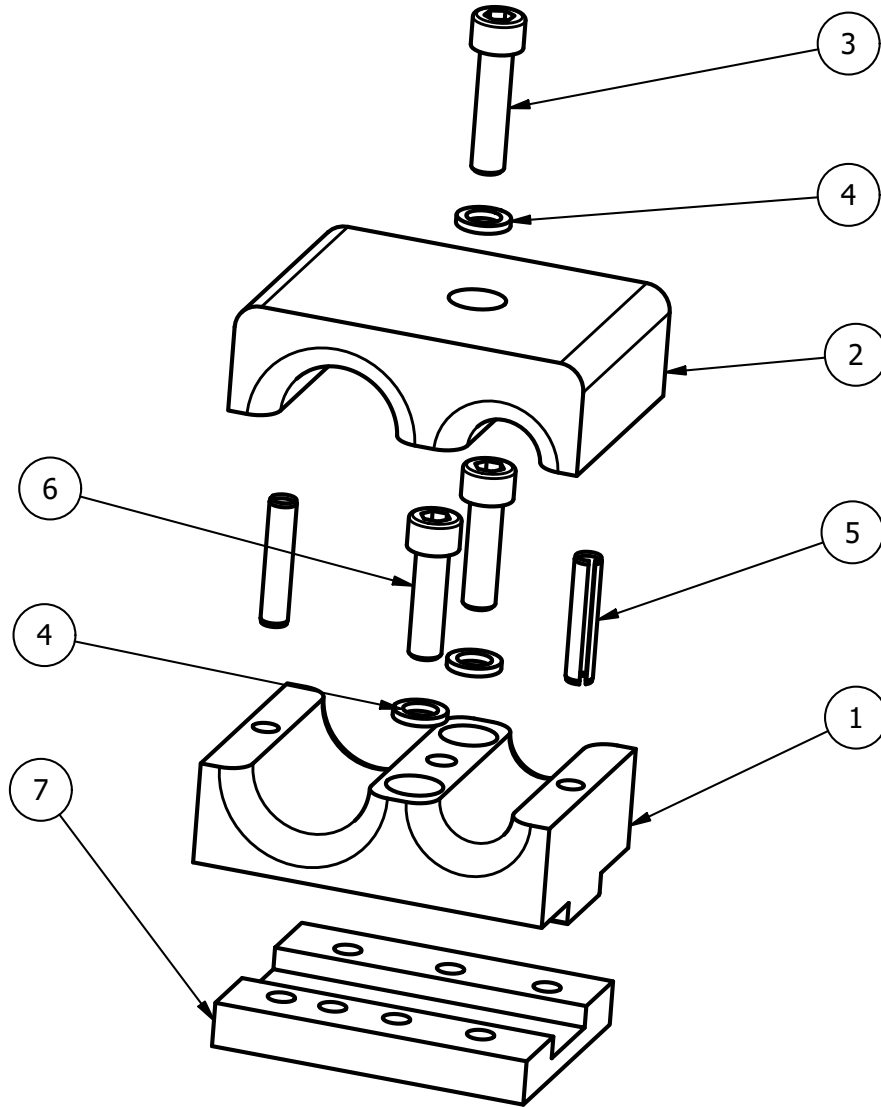


| ITEM | PN# | NAME | QTY | UOM |
|------|-----------|-------------------------------------|-----|-----|
| 1 | OQ4119449 | BASE HOSE HOLDER | 1 | EA |
| 2 | OQ4119448 | UPPER HOSE HOLDER | 1 | EA |
| 3 | OQ7189026 | SPRING PIPE STICK FRP 8X40 DIN 1481 | 2 | EA |
| 4 | OQ7072028 | LOCK WASHER NORLOCK M10 | 4 | EA |
| 5 | OQ7060110 | SCREW MC6S 10X40 | 2 | EA |
| 6 | OQ4119391 | WELDING PLATE | 1 | EA |
| 7 | OQ7060099 | SCREW MC6S 10X35 | 2 | EA |

2.0 - INSTALL COMPONENTS

2.1 - HOSE CLAMPS

2.1.2 - OQ4119426 - HOSE CLAMP 1" + 1/2"

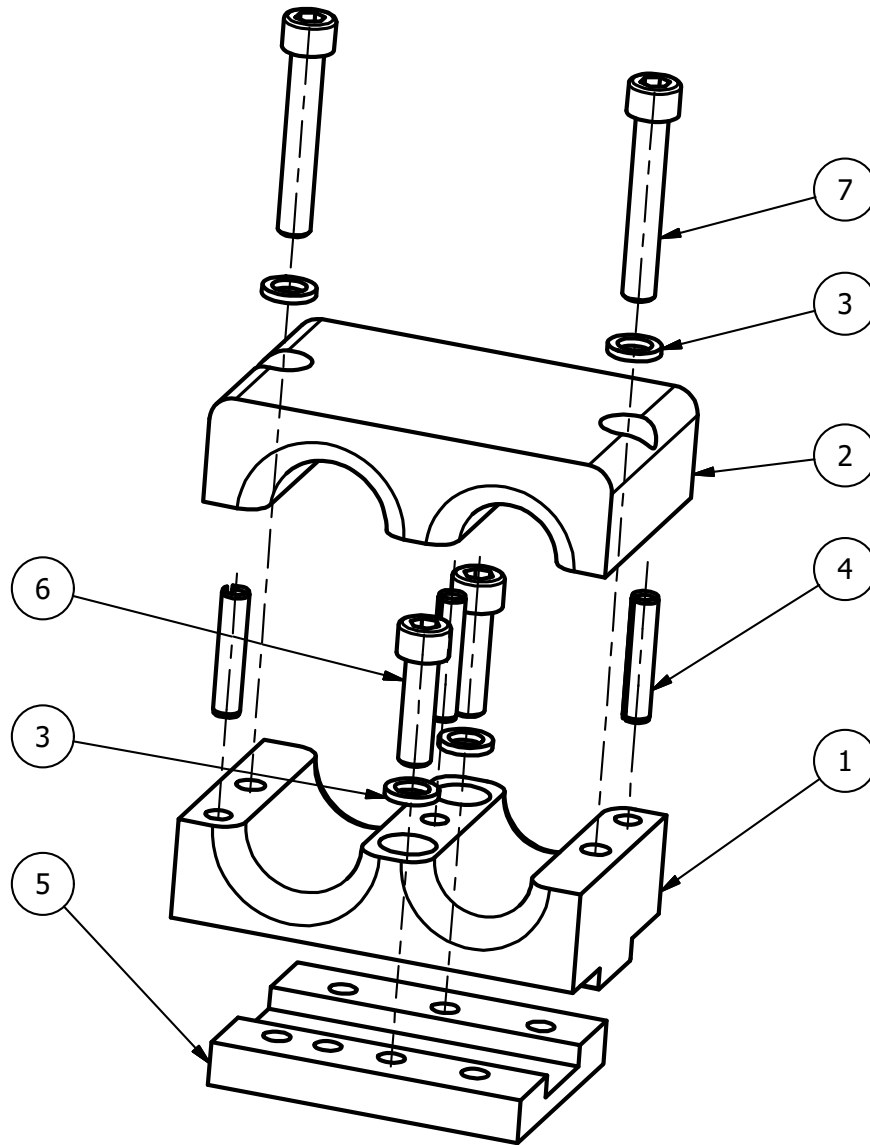


| ITEM | PN# | NAME | QTY | UOM |
|------|-----------|-------------------------------|-----|-----|
| 1 | OQ4119428 | BASE HOSE HOLDER - 1" + 1/2" | 1 | EA |
| 2 | OQ4119427 | UPPER HOSE HOLDER - 1" + 1/2" | 1 | EA |
| 3 | OQ7060110 | SCREW MC6S 10X40 | 1 | EA |
| 4 | OQ7072028 | LOCK WASHER NORLOCK M10 | 3 | EA |
| 5 | OQ7089026 | SPRING PIPE STICK | 2 | EA |
| 6 | OQ7060099 | SCREW MC6S 10X35 | 2 | EA |
| 7 | OQ4119391 | WELDING PLATE | 1 | EA |

2.0 - INSTALL COMPONENTS

2.1 - HOSE CLAMPS

2.1.3 - OQ4129702 - HOSE CLAMP 1" + 3/4"

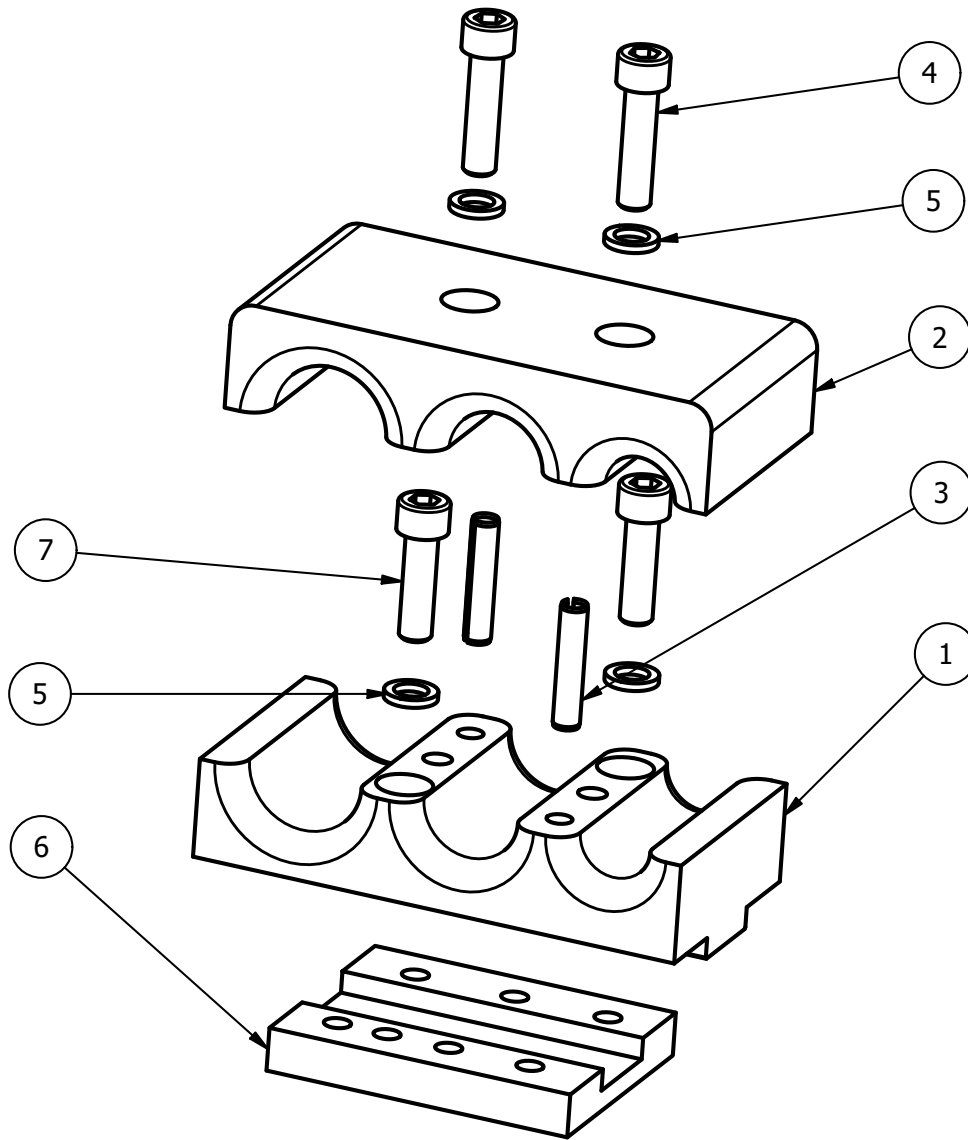


| ITEM | PN# | NAME | QTY | UOM |
|------|-----------|-------------------------------|-----|-----|
| 1 | OQ4129701 | BASE HOSE HOLDER - 1" + 3/4" | 1 | EA |
| 2 | OQ4129700 | UPPER HOSE HOLDER - 1" + 3/4" | 1 | EA |
| 3 | OQ7072028 | LOCK WASHER NORLOCK M10 | 4 | EA |
| 4 | OQ7089026 | SPRING PIPE STICK | 3 | EA |
| 5 | OQ4119391 | WELDING PLATE | 1 | EA |
| 6 | OQ7060099 | SCREW MC6S 10X35 | 2 | EA |
| 7 | OQ7060190 | SCREW MC6S 10X60(12.9) | 2 | EA |

2.0 - INSTALL COMPONENTS

2.1 - HOSE CLAMPS

2.1.4 - OQ4119435 - HOSE CLAMP 1" + 3/4" + 1/2"

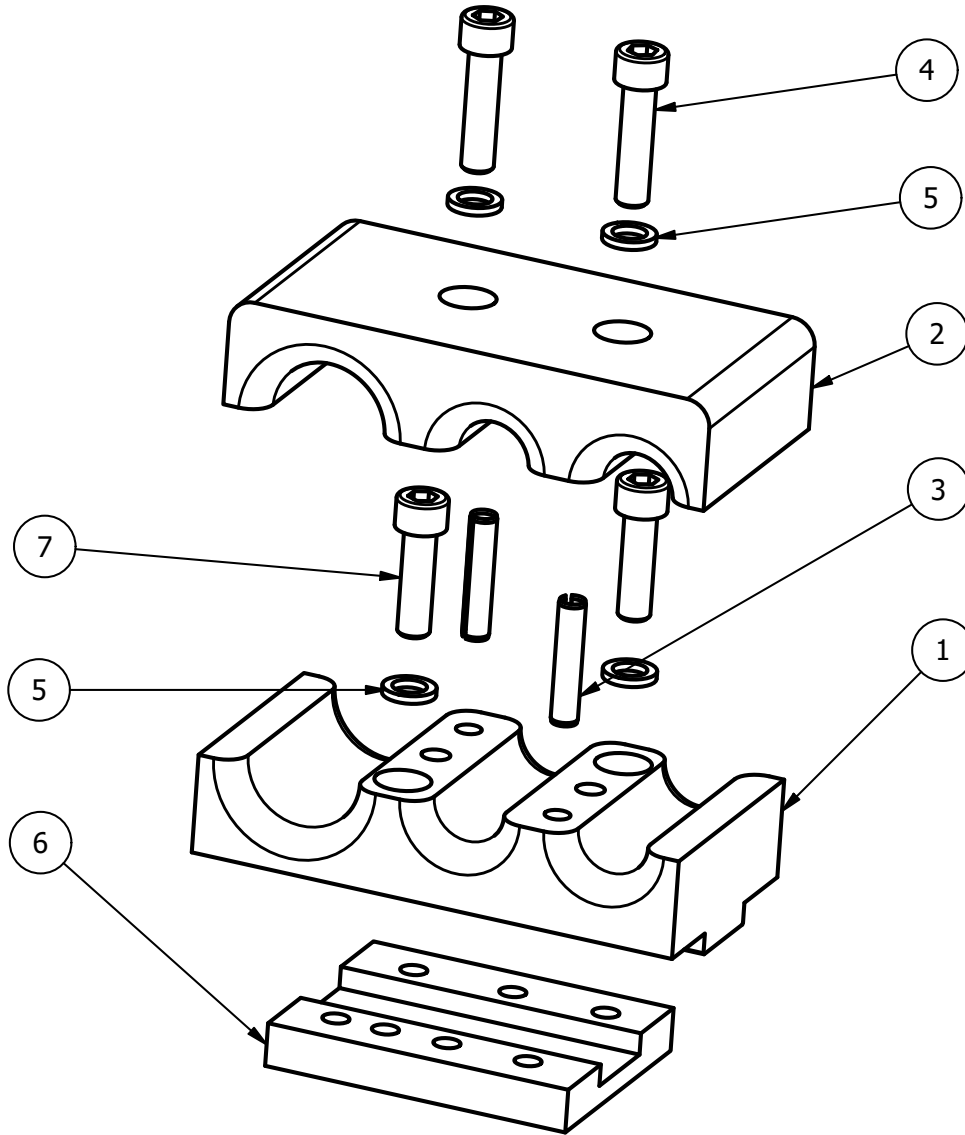


| ITEM | PN# | NAME | QTY | UOM |
|------|-----------|-------------------------------------|-----|-----|
| 1 | OQ4119437 | BASE HOSE HOLDER 1"+3/4"+1/2" | 1 | EA |
| 2 | OQ4119436 | UPPER HOSE HOLDER 1"+3/4"+1/2" | 1 | EA |
| 3 | OQ7089026 | SPRING PIPE STICK FRP 8x40 DIN 1481 | 2 | EA |
| 4 | OQ7060110 | SCREW MC6S 10x40 | 2 | EA |
| 5 | OQ7072028 | LOCK WASHER NORDLOCK M10 | 4 | EA |
| 6 | OQ4119391 | WELDING PLATE | 1 | EA |
| 7 | OQ7060099 | SCREW MC6S M10x35 8.8 FZB | 2 | EA |

2.0 - INSTALL COMPONENTS

2.1 - HOSE CLAMPS

2.1.5 - OQ4124038 - HOSE CLAMP 1" + 2" X 1/2"

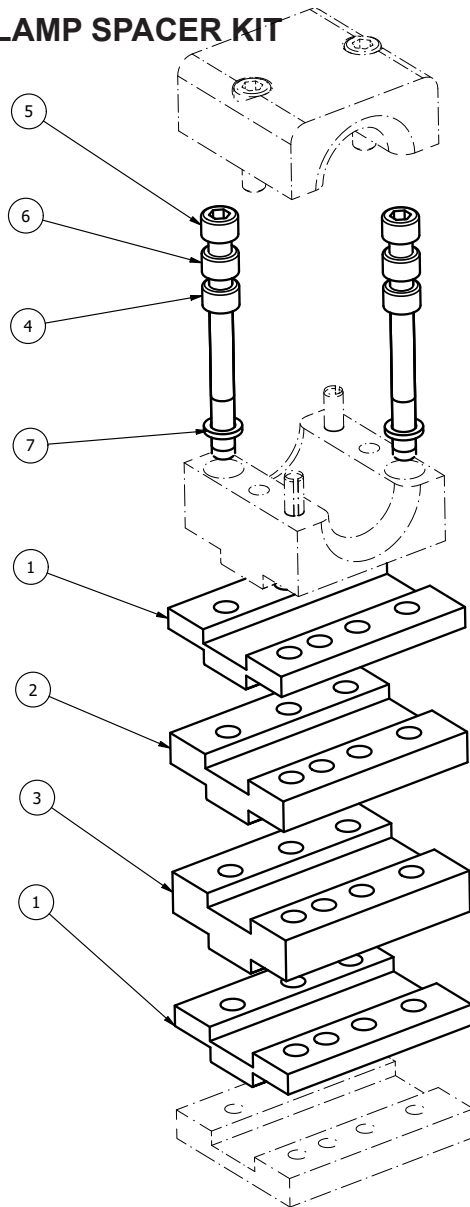


| ITEM | PN# | NAME | QTY | UOM |
|------|-----------|-------------------------------------|-----|-----|
| 1 | OQ4124040 | BASE HOSE HOLDER 1" 2 X 1/2" | 1 | EA |
| 2 | OQ4124039 | UPPER HOSE HOLDER 1" 2 X 1/2" | 1 | EA |
| 3 | OQ7089026 | SPRING PIPE STICK FRP 8X40 DIN 1481 | 2 | EA |
| 4 | OQ7060110 | SCREW MC6S 10X40 | 2 | EA |
| 5 | OQ7072028 | LOCK WASHER NORLOCK M10 | 4 | EA |
| 6 | OQ4119391 | WELDING PLATE | 1 | EA |
| 7 | OQ7060099 | SCREW MC6S 10X35 | 2 | EA |

2.0 - INSTALL COMPONENTS

2.1 - HOSE CLAMPS

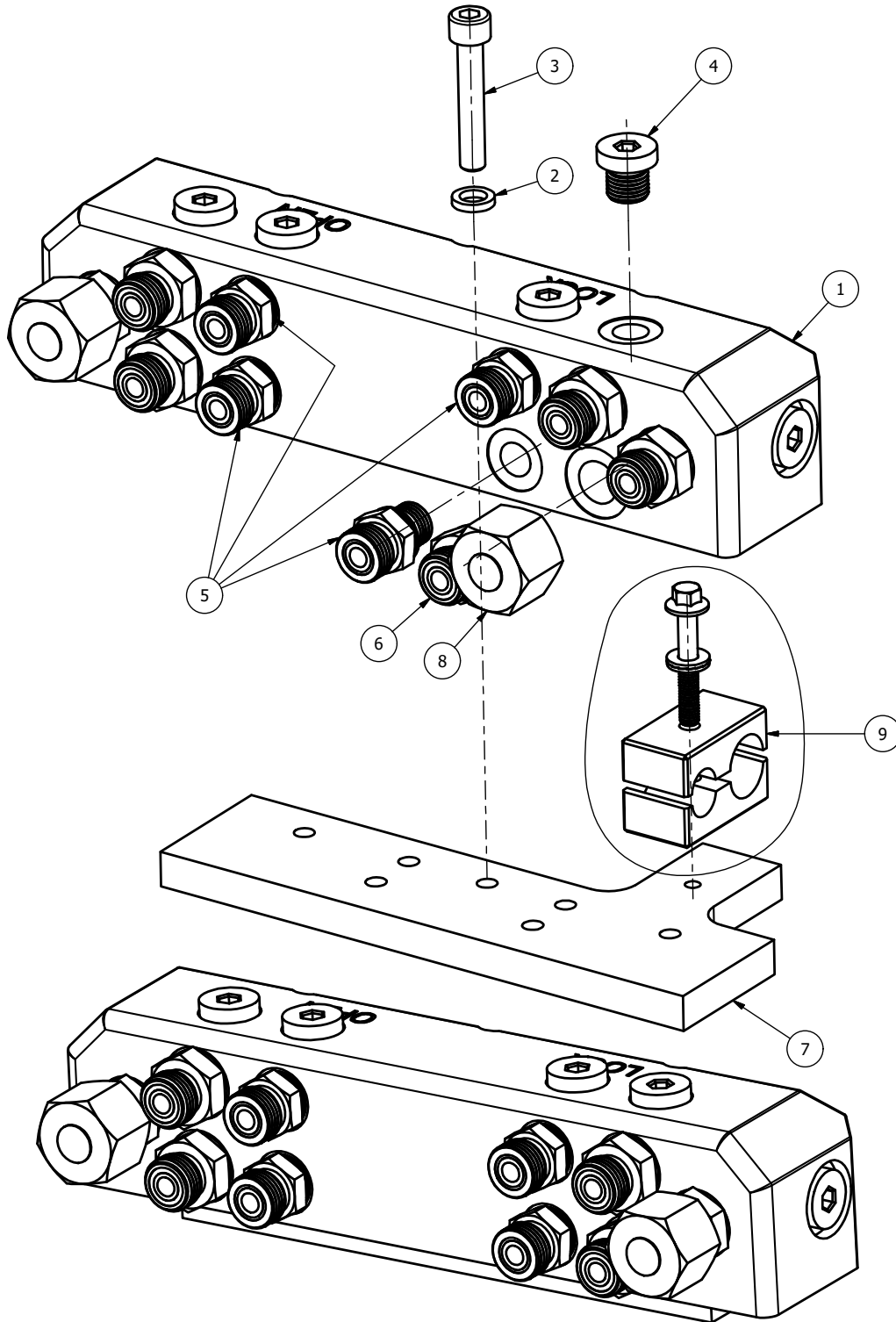
2.1.6 - OQ4119458 - HOSE CLAMP SPACER KIT



| ITEM | PN# | NAME | QTY | UOM |
|------|-----------|---------------------------------------|-----|-----|
| 1 | OQ4119392 | SPACER 10MM, HOSE CLAMP | 2 | EA |
| 2 | OQ4119393 | SPACER 15MM, HOSE CLAMP | 1 | EA |
| 3 | OQ4119459 | SPACER 20MM, HOSE CLAMP | 1 | EA |
| 4 | OQ7060146 | SCREW MC6S M10x70 12,9 | 2 | EA |
| 5 | OQ7060205 | SCREW MC6S M10x80 12.9 | 2 | EA |
| 6 | OQ7060177 | SHCS MC6S M10-1.50 x90 12.9 | 2 | EA |
| 7 | 50-00682 | WASHER NORDLOCK M10 - 16.6 X 2.5 1244 | 2 | EA |

2.0 - INSTALL COMPONENTS

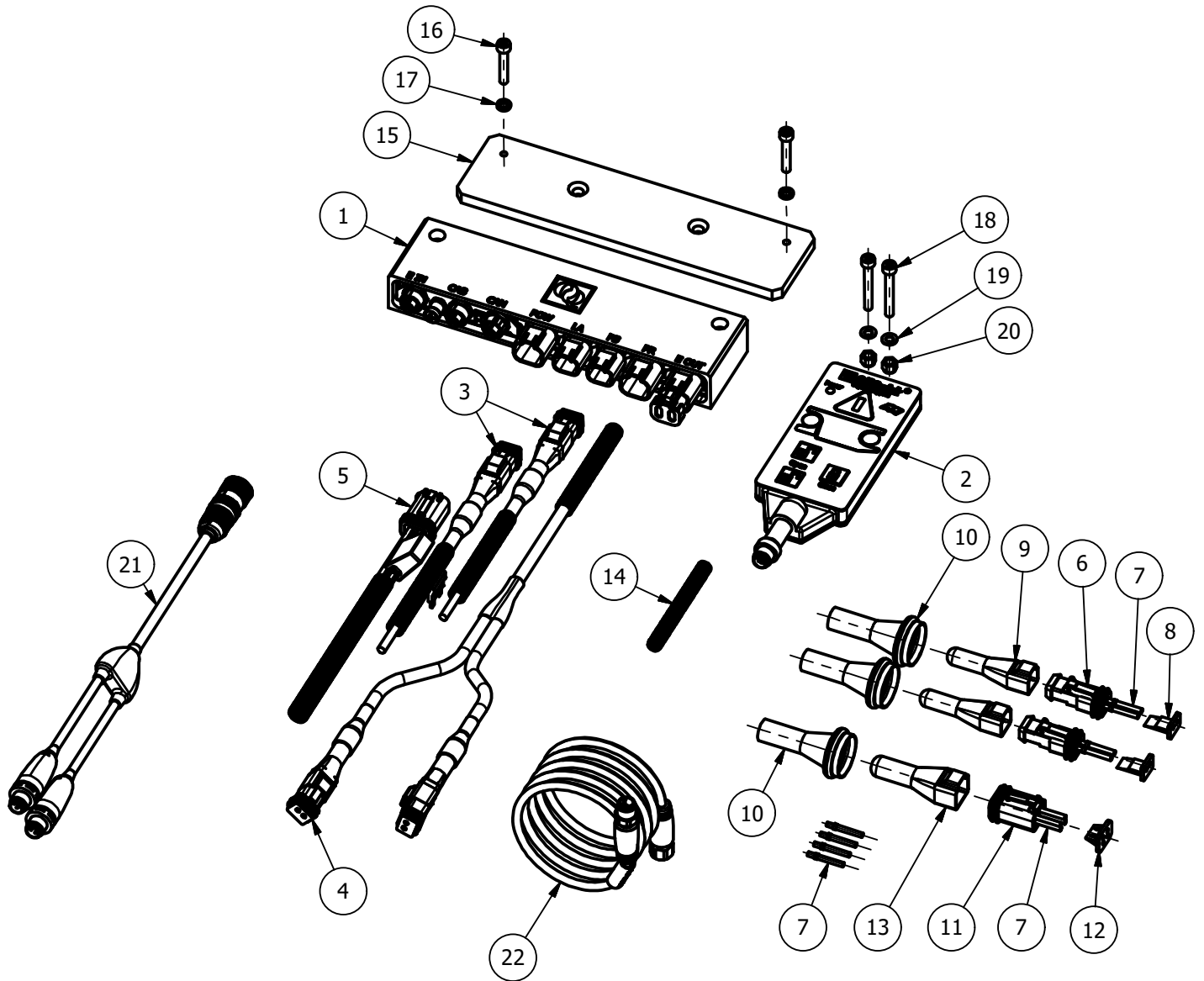
2.2 - OQ5110941 - GUIDE BLOCK MANIFOLD



| ITEM | PN# | NAME | QTY | UOM |
|------|-----------|-----------------------------------|-----|-----|
| 1 | OQ4121328 | HYDR.BLOCK, LOCK-, 1/2" - & DRAIN | 1 | EA |
| 2 | OQ7072021 | WASHER NORDLOCK M8 | 3 | EA |
| 3 | OQ7060102 | SCREW MC6S M8 - 1.25 x 45 | 3 | EA |
| 4 | OQ7200283 | PLUG G1/4" ED | 6 | EA |
| 5 | OQ7200213 | NIPPLE ORFS06 UF-M14x1,5 UF | 4 | EA |
| 6 | OQ7200249 | NIPPLE ORFS08 UF-M16x1,5 UF | 6 | EA |
| 7 | OQ4115481 | BRACKET, LOCKING CIRCUIT | 1 | EA |
| 8 | OQ7200002 | BLIND NUT ORFS08IF | 2 | EA |
| 9 | OQ5180116 | BRACES - COMPLETE | 1 | EA |

3.0 - LOCK SUPPORT

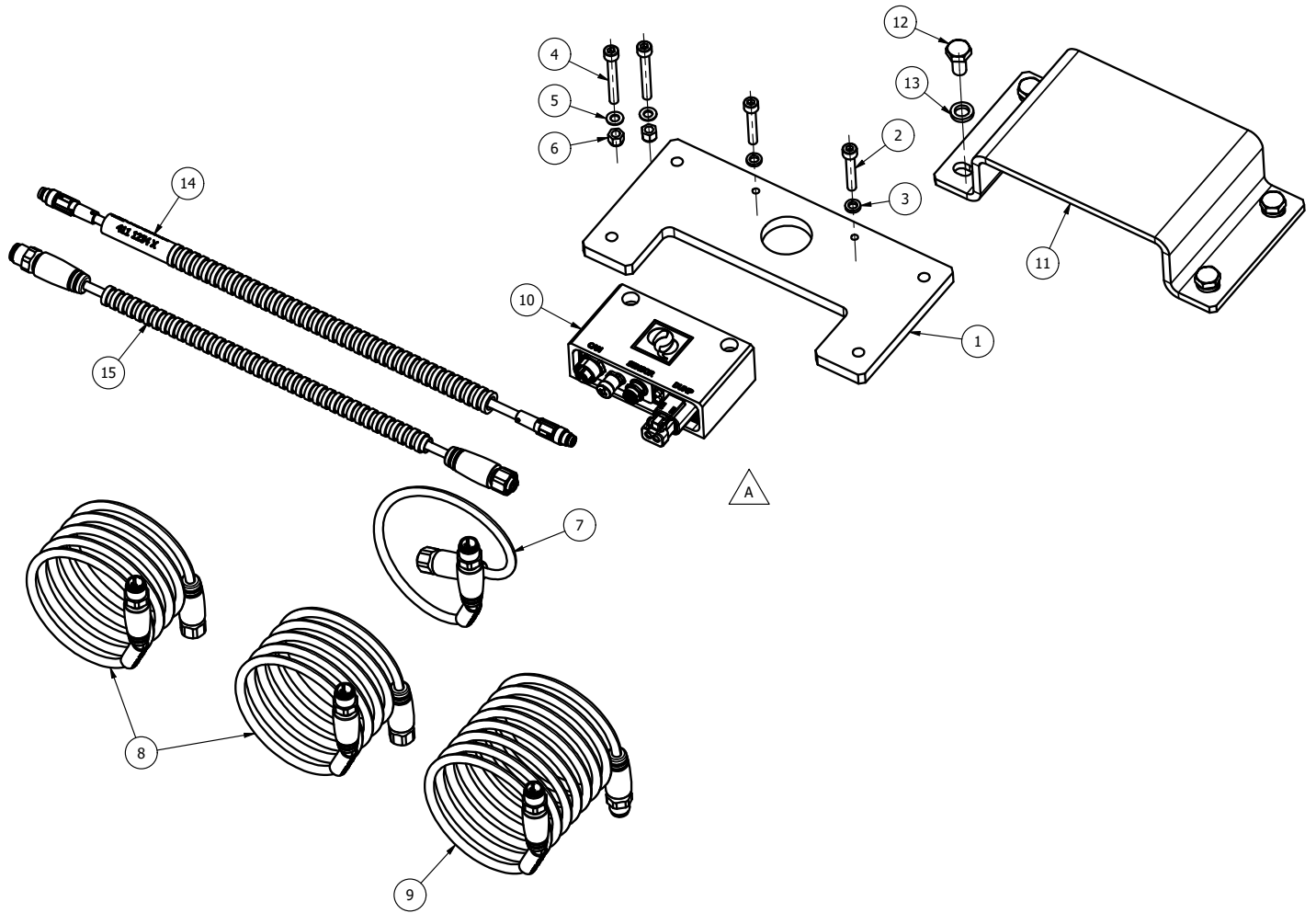
3.1 - OQ5190261 - OQLS 2.0 INSTALLATION KIT



| ITEM | PN# | NAME | QTY | UOM |
|------|-----------|---|-----|-----|
| 1 | OQ4131663 | MASTER UNIT - OQLS 2.0 (SINGLE PRESS) | 1 | EA |
| 2 | OQ4126332 | OQLS CABIN PANEL GEN 2 (NEW) | 1 | EA |
| 3 | OQ4121394 | CABLE SET OQLS (PB/LOCK/PRESSURE) | 2 | EA |
| 4 | OQ4121393 | CABLE DEPRESSURIZATION VALVE OQ80 | 1 | EA |
| 5 | OQ4123140 | CABLE POWER OQLS OQ, TLE | 1 | EA |
| 6 | 30-00428 | CONNECTOR PLUG DT06-2S-P012 | 2 | EA |
| 7 | 30-00348 | CONNECTOR DEUTSCH SOCKET #16-14 | 12 | EA |
| 8 | 30-00337 | CONNECTOR WEDGE W2S | 2 | EA |
| 9 | OQ7034133 | PROTECTIVE HOOD DT2S-BT | 2 | EA |
| 10 | 30-00697 | 1" X 48" BLK ADHESIVE LINED HEAT SHRINK | 3 | EA |
| 11 | 30-00332 | CONNECTOR PLUG DT06-4S | 1 | EA |
| 12 | 30-00338 | CONNECTOR WEDGE W4S | 2 | EA |
| 13 | OQ7034131 | PROTECTIVE HOOD DT4S-BT | 1 | EA |
| 14 | OQ7034140 | SPLIT LOOM | 1 | EA |
| 15 | OQ4124026 | MOUNTING PLATE - MASTER UNIT | 1 | EA |
| 16 | OQ7060153 | SCREW MC6S M5x30 12.9 | 2 | EA |
| 17 | OQ7072033 | WASHER NORDLOCK M5 - 9.0 X 1.8 | 2 | EA |
| 18 | 50-01095 | SH CS M5 - 0.8 X 40 Z_12.9 | 2 | EA |
| 19 | 50-00422 | WASHER M5 - 10.0 X 1.0 Z_H | 2 | EA |
| 20 | 50-01096 | NUT NYLOCK M5 - 0.8 Z_ | 2 | EA |
| 21 | OQ7033002 | CABLE - OQLS PANEL 6M (19' 6" LG) | 1 | EA |
| 22 | OQ7033073 | CABLE - EXTENSION, CAB =2,0M M-F | 1 | EA |

3.0 - LOCK SUPPORT

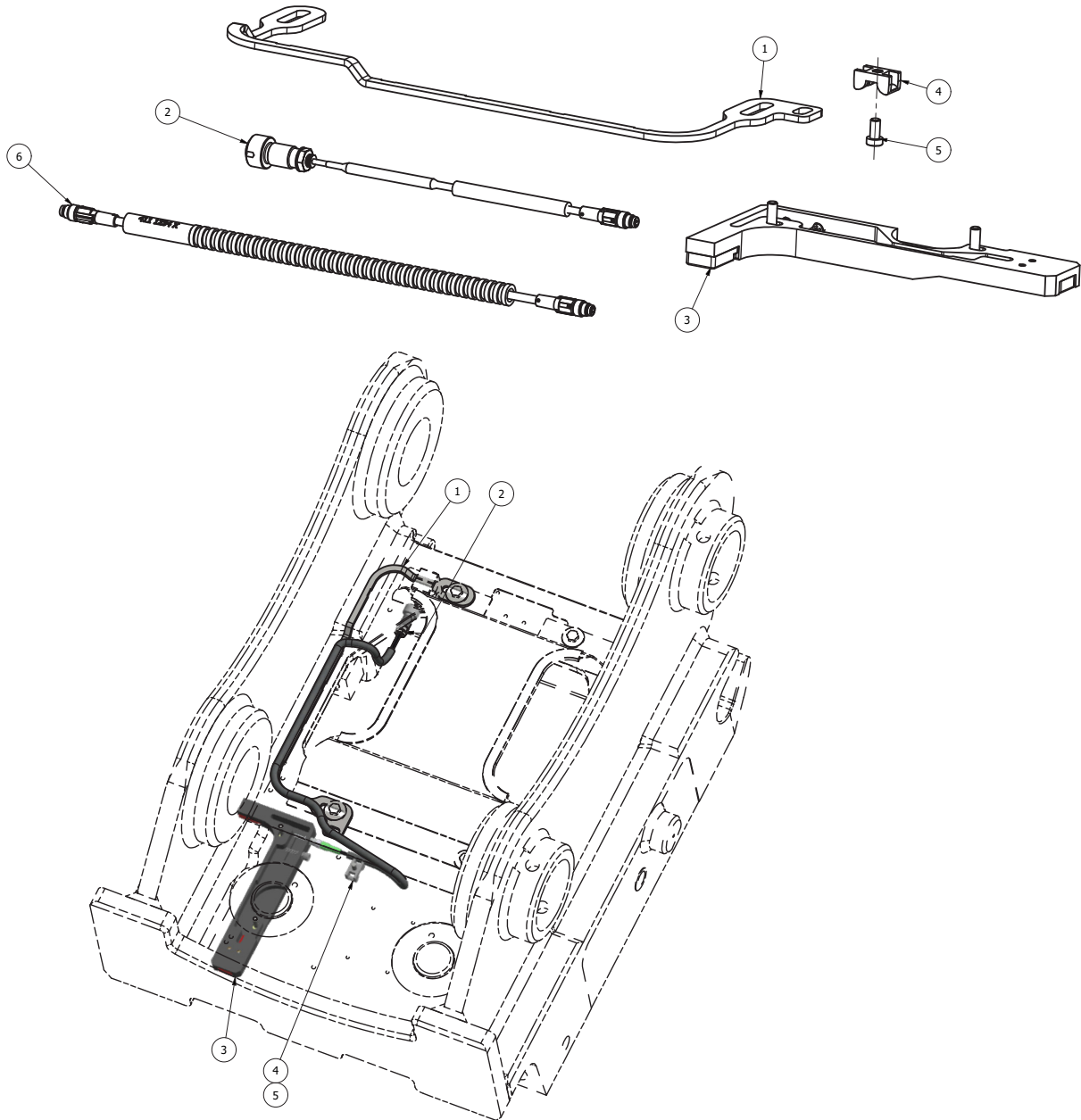
3.2 - OQ5190268 - STICK UNIT KIT OQLS 2.0 15MM



| ITEM | PN# | NAME | QTY | UOM |
|------|-----------|---|-----|-----|
| 1 | OQ4130698 | WELD PLATE - STICK UNIT OQLS 2.0 | 1 | EA |
| 2 | OQ7060153 | SCREW MC6S M5x30 12.9 | 2 | EA |
| 3 | OQ7072033 | WASHER NORDLOCK M5 - 9.0 X 1.8 | 2 | EA |
| 4 | OQ7060100 | SCREW MC6 M5x40 | 2 | EA |
| 5 | OQ7072031 | WASHER M5 - 10.0 Z | 2 | EA |
| 6 | OQ7065018 | NUT M6M M5 NYLOCK | 2 | EA |
| 7 | OQ7033068 | CABLE - OQLS EXTENSION, BOOM L=0,5M M-F | 1 | EA |
| 8 | OQ7033070 | CABLE - EXTENSION, BOOM L=2,0M M-F | 2 | EA |
| 9 | OQ7033062 | CABLE-OQCS/OQLS CANBUS M/M 15M (49'2") | 1 | EA |
| 10 | OQ4131384 | STICK UNIT - OQLS 2.0 | 1 | EA |
| 11 | OQ4130699 | PROTECTION COVER - STICK UNIT OQLS 2.0 | 1 | EA |
| 12 | OQ7060004 | SCREW M6S M8 - 1.25 x 16 8.8 FZB | 4 | EA |
| 13 | OQ7072021 | WASHER NORDLOCK M8 | 4 | EA |
| 14 | OQ5190231 | CABLE - SENSOR OQLS 2.0 3M | 1 | EA |
| 15 | OQ7033095 | EXTENSION CABLE - OQLS 2.0 1M M/F M8 | 1 | EA |

3.0 - LOCK SUPPORT

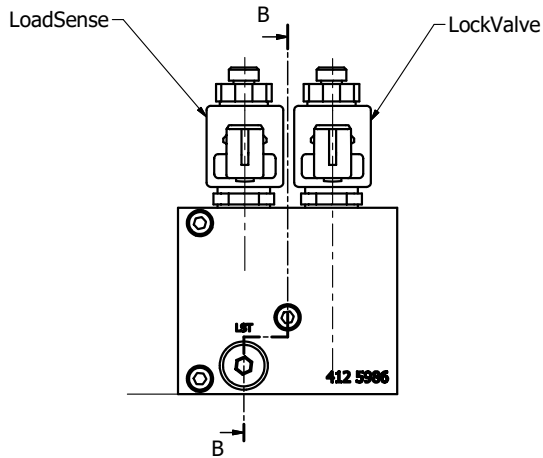
3.3 - OQ5190340 - OQ70/55 OQLS 2.0 SENSOR KIT



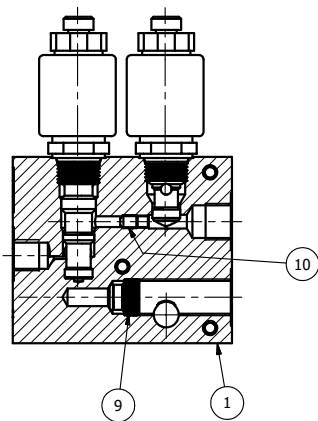
| ITEM | PN# | NAME | QTY | UOM |
|------|-----------|--|-----|-----|
| 1 | OQ4133128 | CABLE RAIL OQLS 2.0 OQ80 | 1 | EA |
| 2 | OQ5190249 | FRONT SENSOR OQLS 2.0 OQ60,OQ70/55,OQ120 | 1 | EA |
| 3 | OQ4131095 | REAR SENSOR OQLS 2.0 OQ70, OQ70/55 | 1 | EA |
| 4 | OQ7087000 | CABLE RETAINER | 1 | EA |
| 5 | OQ7060285 | SH CS M6 -1.00 X 12 Z_12.9 LOW PROFILE | 1 | EA |
| 6 | OQ7160031 | CABLE - SENSOR OQLS 2.0 3M | 1 | EA |

3.0 - LOCK SUPPORT

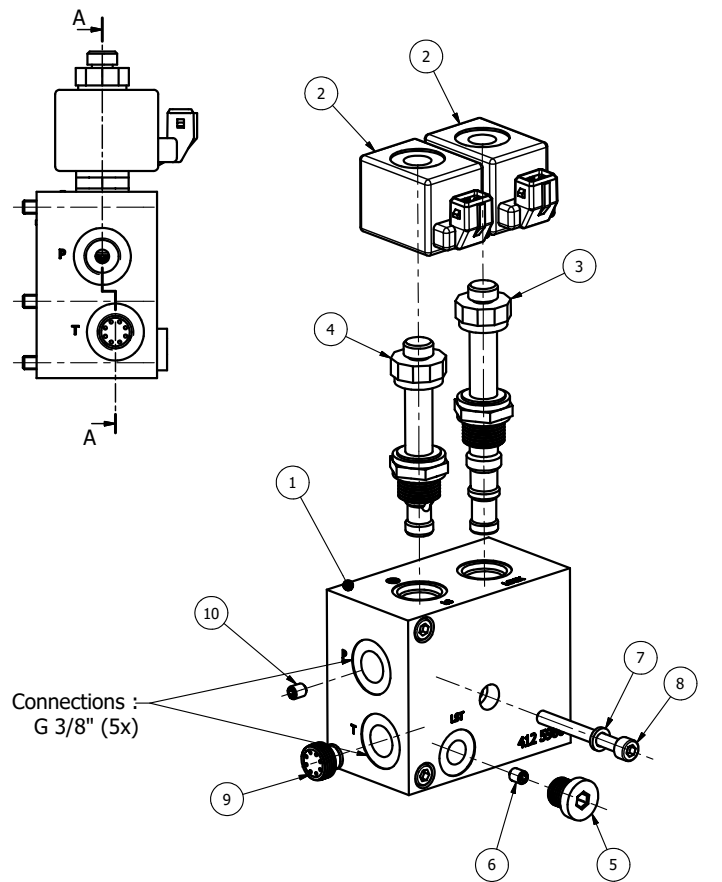
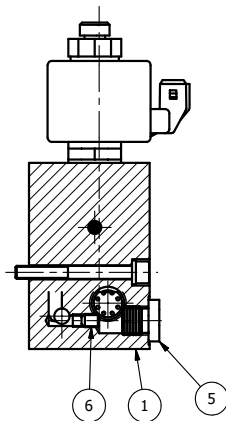
3.4 - OQ4120613 - LOCK VALVE



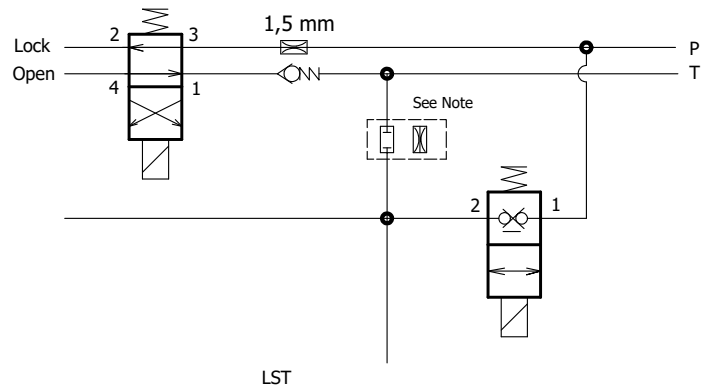
A-A



B-B



Connections :
G 3/8" (5x)



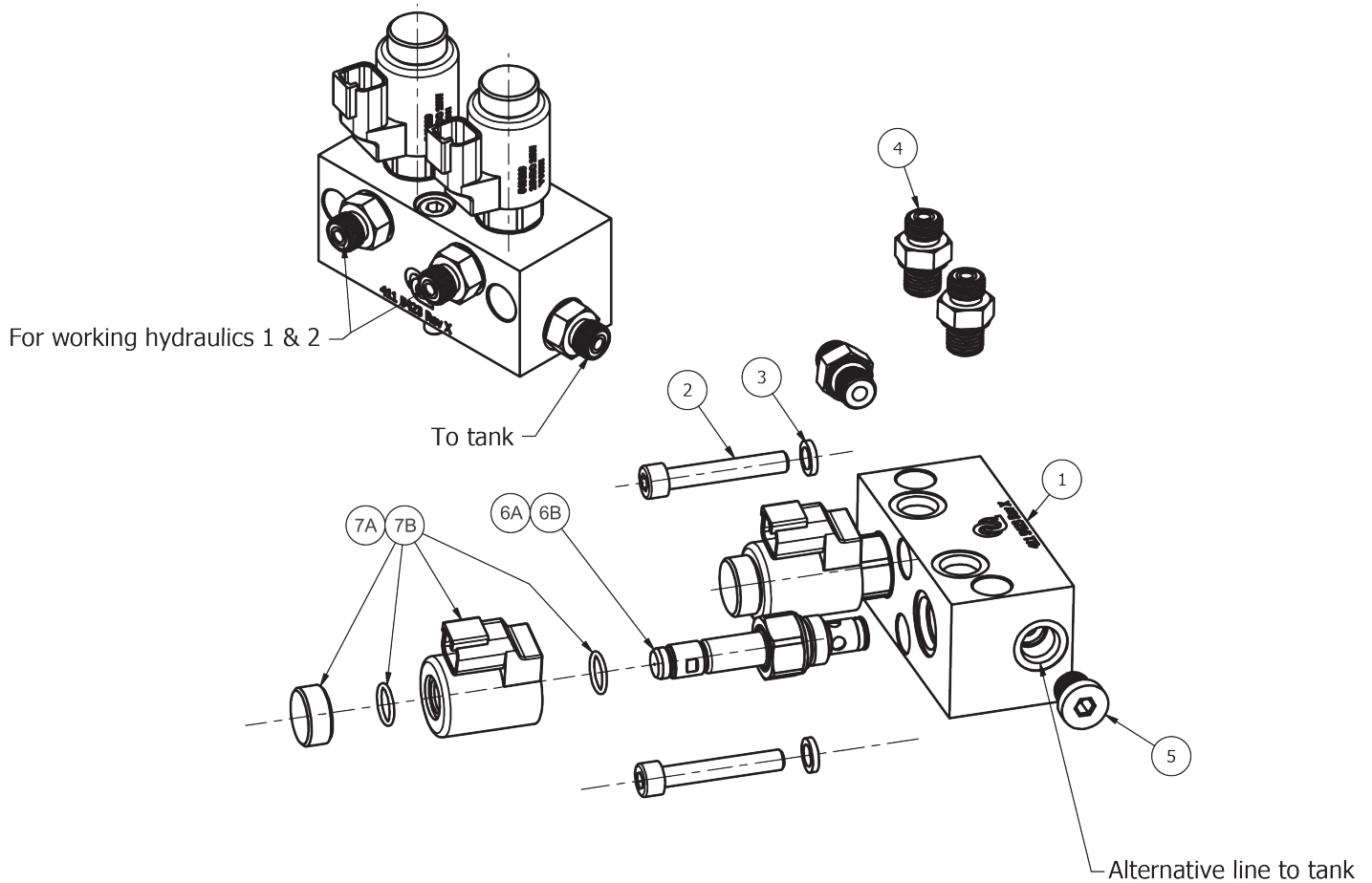
Via the plug LST, the stop screw can be removed and replaced with an M6 throttle. This may be necessary for the LS signal to function correctly.

Hydraulic components Cleanliness requirements according to OQ 600 0109

| ITEM | PN# | NAME | QTY | UOM |
|------|-----------|---------------------------------------|-----|-----|
| 1 | OQ4125986 | LOCK - POWERBOOST VALVE BLOCK | 1 | EA |
| 2 | OQ7005057 | SOLENOID 24V LOCK-POWER BOOST VALVE | 2 | EA |
| 3 | OQ7005053 | VALVE CARTRIDGE 6/2 (LOCKING SIDE) | 1 | EA |
| 4 | OQ7005054 | VALVE CARTRIDGE 2/2 (POWERBOOST SIDE) | 1 | EA |
| 5 | OQ7200283 | PLUG G1/4" ED | 1 | EA |
| 6 | OQ7060011 | SCREW SK6SS M6x8 | 1 | EA |
| 7 | 50-00905 | WASHER NORDLOCK M6 - 10.8 X 1.8 1519 | 3 | EA |
| 8 | OQ7060076 | SCREW MC6S M6x55 12.9 | 3 | EA |
| 9 | OQ7009024 | LOCK - POWER BOOST CHECK VALVE | 1 | EA |
| 10 | OQ4125987 | M6 ORIFICE (1.5MM) | 1 | EA |

3.0 - LOCK SUPPORT

3.5 - OQ4123124 - DEPRESSURIZATION VALVE



| ITEM | PN# | NAME | QTY | UOM |
|------|-----------|---|-----|-----|
| 1 | OQ4115423 | HYDRAULIC BLOCK, DEPRESSURIZING KIT | 1 | EA |
| 2 | OQ7060056 | SCREW MC6S M8 - 1.25 x 80 12.9 | 2 | EA |
| 3 | OQ7072021 | WASHER NORDLOCK M8 | 2 | EA |
| 4 | OQ7200207 | NIPPLE ORFS04 UF-M14x1.5 UF | 3 | EA |
| 5 | OQ7200214 | PLUG M14x1,5 | 2 | EA |
| 6A | OQ7005082 | VALVE CARTRIDGE 2/2 | 2 | EA |
| 6B | OQ7005069 | VALVE CARTRIDGE 2/2 PRV PARKER | 2 | EA |
| 7A | OQ7005083 | SOLENOID 28V, DT, DEPRESSURIZING (ROUND) | 2 | EA |
| 7B | OQ7005070 | SOLENOID 28V, DT, DEPRESSURIZING (SQUARE) | 2 | EA |

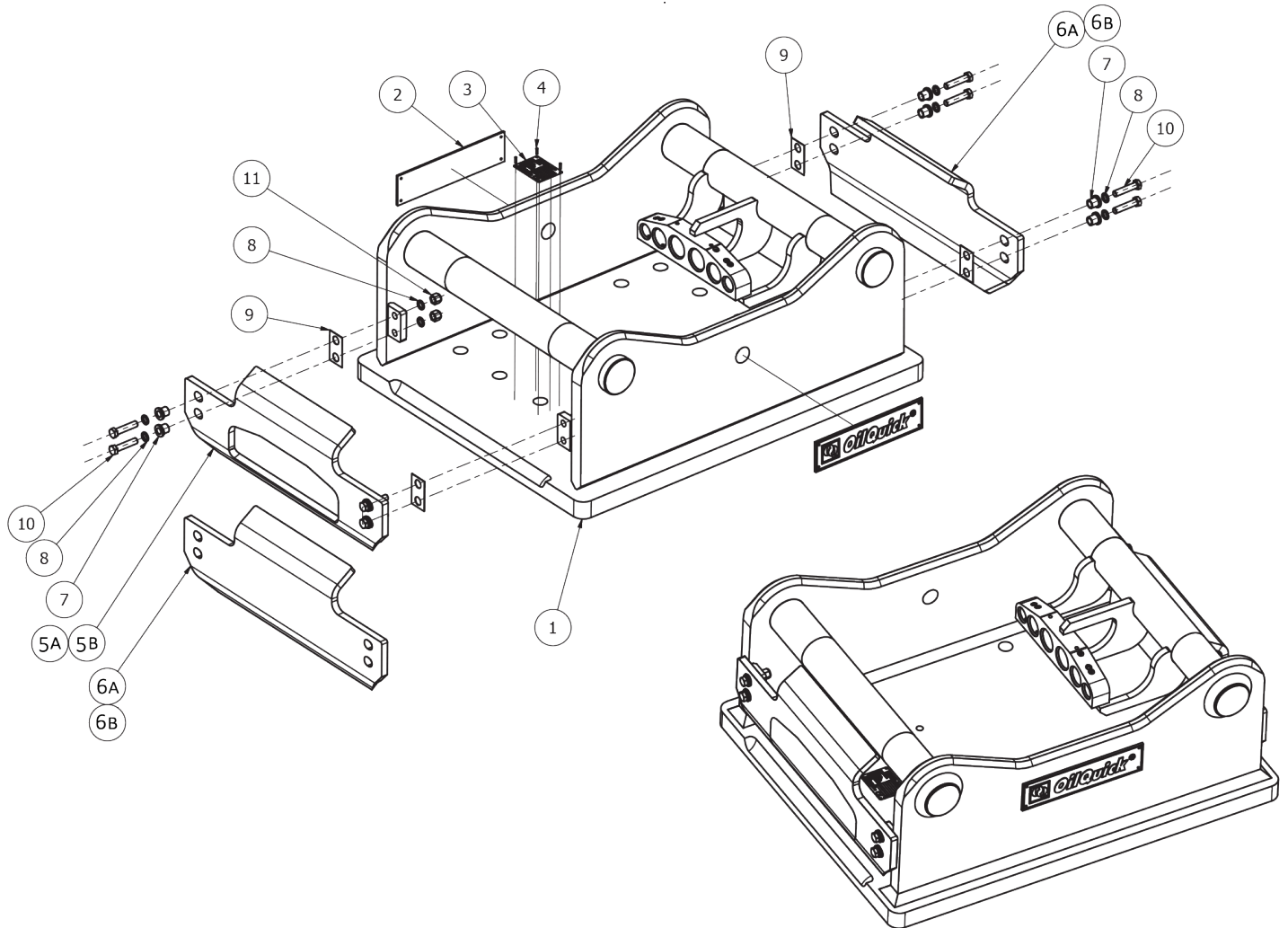
3.0 - LOCK SUPPORT

3.6 - OQ5116281 - FIRST AID KIT OQ80

| ITEM | PN# | NAME | QTY | UOM |
|------|-----------|---------------------|-----|-----|
| 1 | OQ7020130 | NOSE SEAL 1/2" | 4 | EA |
| 2 | OQ7020131 | NOSE SEAL 3/4" | 4 | EA |
| 3 | OQ7020132 | NOSE SEAL 1" | 4 | EA |
| 4 | OQ4112220 | PUSHER 1/2" | 1 | EA |
| 5 | OQ4112221 | PUSHER 3/4" | 1 | EA |
| 6 | OQ4112222 | PUSHER 1" | 1 | EA |
| 7 | OQ4116298 | MOUNTING TOOL 1/2" | 1 | EA |
| 8 | OQ4116296 | MOUNTING TOOL 3/4" | 1 | EA |
| 9 | OQ4116295 | MOUNTING TOOL 1" | 1 | EA |
| 10 | OQ7410094 | DECAL FIRST AID KIT | 1 | EA |
| 11 | OQ7406065 | FIRST AID KIT BOX | 1 | EA |

4.0 - ATTACHMENT FRAME

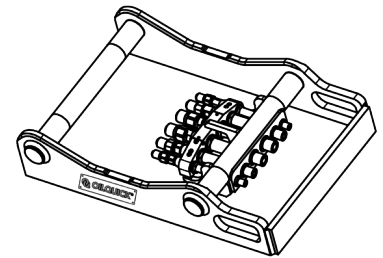
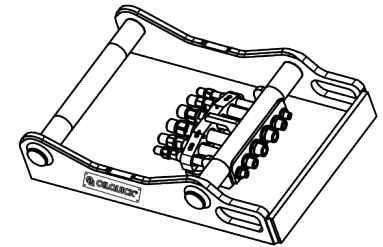
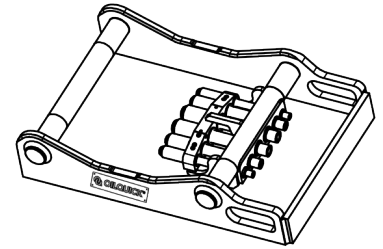
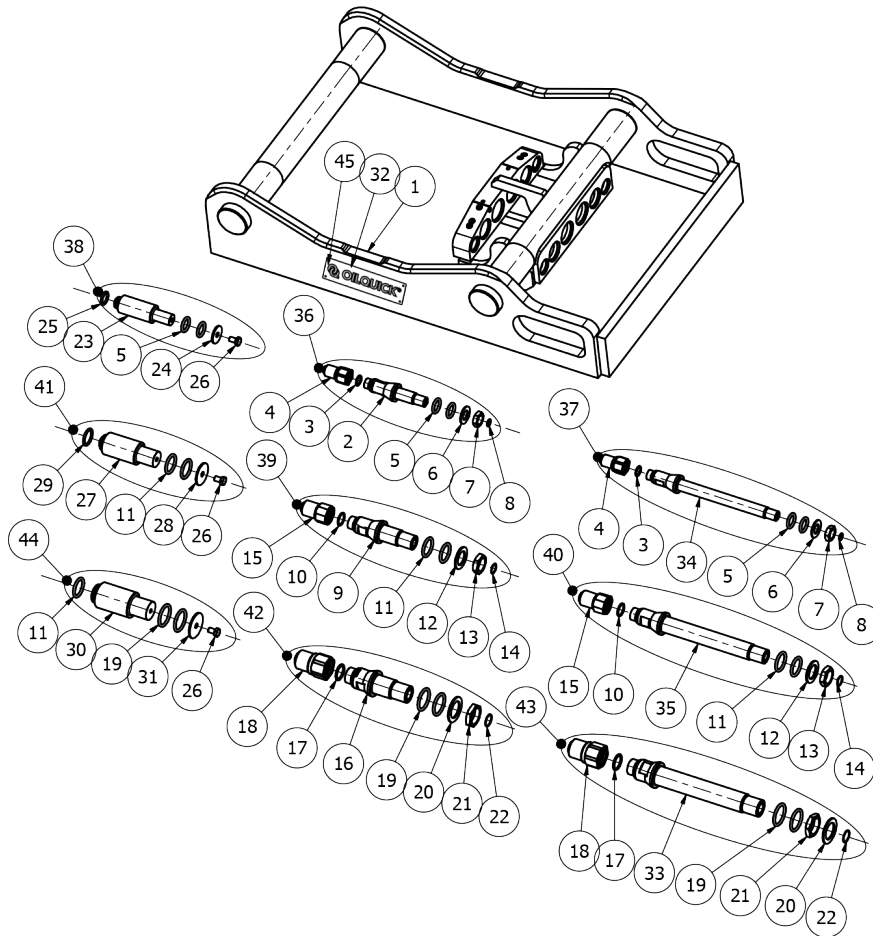
4.1 - OQ4120602 - D-FRAME



| ITEM | PN# | NAME | QTY | UOM |
|------|-----------|--------------------------------------|-----|-----|
| 1 | OQ411xxxx | ATTACHMENT FRAME | 1 | EA |
| 2 | OQ4116271 | EMBLEM - OILQUICK - OQ70-OQ120 | 2 | EA |
| 3 | OQE04743 | SERIAL TAG - OILQUICK AMERICAS | 1 | EA |
| 4 | OQ7093007 | POP RIVET A 3,2X12,5 | 4 | EA |
| 5A | OQ4120341 | PROTECTION PLATE - OQ70/55 CUTOUT | 1 | EA |
| 5B | OQE04971 | PROTECTION PLATE - OQ70/55 CUTOUT | 1 | EA |
| 6A | OQ4120342 | PROTECTION PLATE - OQ70/55 - SOLID | 2 | EA |
| 6B | OQE04972 | PROTECTION PLATE - OQ70/55 - SOLID | 2 | EA |
| 7 | OQ4120324 | SLEEVE - PROTECTION PLATE TOOL ADAPT | 8 | EA |
| 8 | OQ7072007 | WASHER NORDLOCK M12-19.5 X 2.5 1262 | 16 | EA |
| 9 | OQ4120567 | RUBBER SPACER OQ60-70/55 | 4 | EA |
| 10 | OQ7060217 | HH CS M12 x 55 8.8_FZB | 8 | EA |
| 11 | OQ7065005 | NUT- M12 NYLOCK | 8 | EA |

4.0 - ATTACHMENT FRAME

4.2 - OQ4113928 - C-FRAME



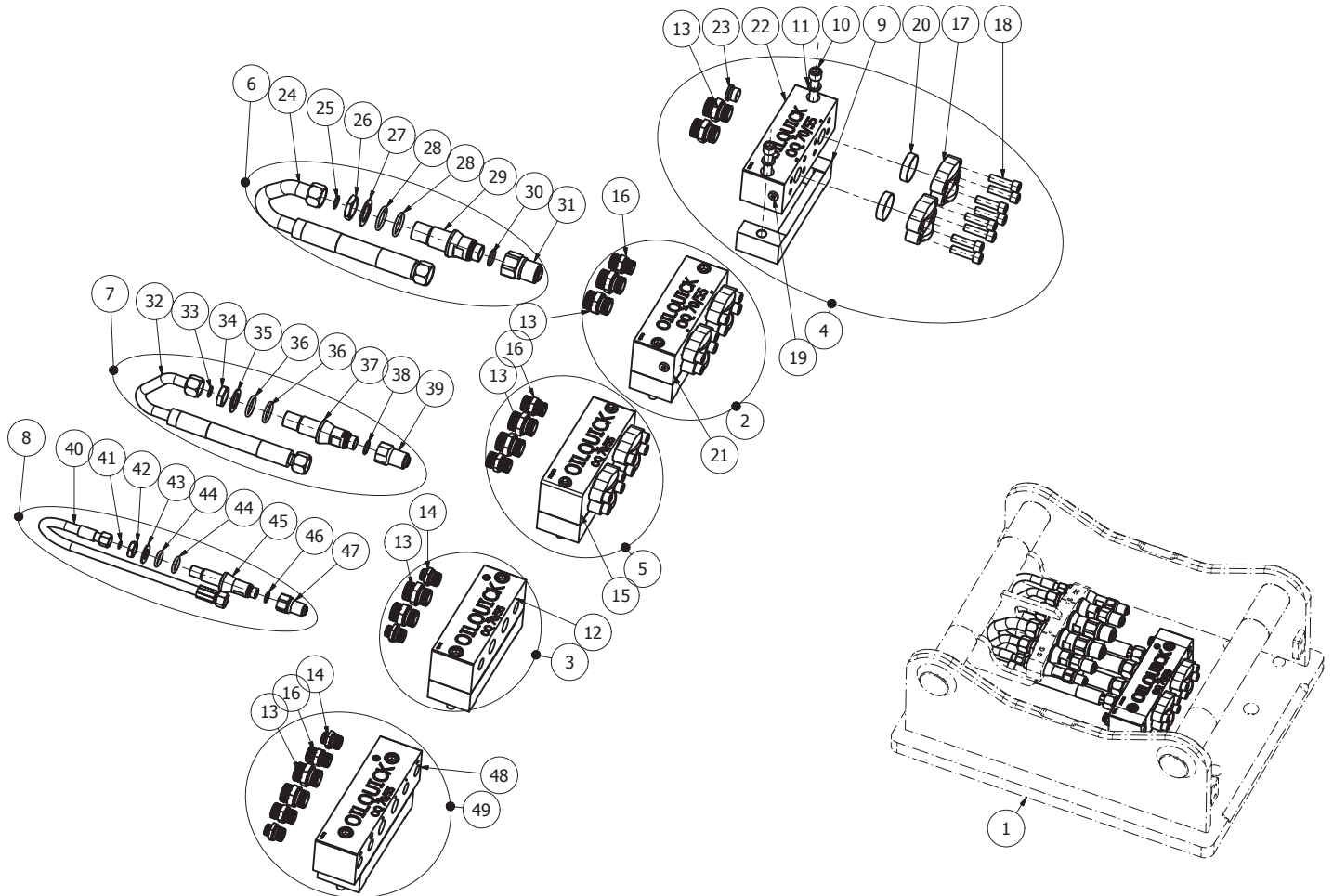
För 40mm kopplingsramp

| ITEM | PN# | NAME | QTY | UOM |
|------|-----------|---------------------------------------|-----|-----|
| 1 | OQ4113925 | OQ70/55 C-FRAME - BLANK FPG | 1 | EA |
| 2 | OQ4113605 | BULKHEAD 1/2" SHORT OQ70/55 OQ80 | 2 | EA |
| 3 | OQ7160048 | HYDRAULIC COUPLING 1/2", MALE | 2 | EA |
| 4 | OQ7206017 | O-RING 17,6x2,62 NBR70 | 2 | EA |
| 5 | OQ7160042 | O-RING 24x5 NBR70 | 4 | EA |
| 6 | OQ4112316 | WASHER 0.750 - 1.49 X 0.12 P | 2 | EA |
| 7 | OQ4112399 | NUT 13/16"-16UN, T=9 | 2 | EA |
| 8 | OQ7160045 | O-RING-014 -08MO (12,42x1,78) NBR 90D | 2 | EA |
| 9 | OQ4113606 | BULKHEAD 3/4" SHORT OQ70/55 OQ80 | 2 | EA |
| 10 | OQ7160049 | O-RING 23,47x2,62 NBR70 | 2 | EA |
| 11 | OQ7160043 | O-RING 34x5 NBR 70 | 6 | EA |
| 12 | OQ4112315 | WASHER 1.188 - 1.88 X 0.12 P | 2 | EA |
| 13 | OQ4112398 | NUT 1 3/16"-12UN, T=10,5 | 2 | EA |
| 14 | OQ7160046 | O-RING-018 -12MO (18,77x1,78) NBR 90D | 2 | EA |
| 15 | OQ7206019 | HYDRAULIC COUPLING 3/4", MALE | 2 | EA |
| 16 | OQ4113607 | BULKHEAD 1" SHORT OQ70/55 OQ80 | 2 | EA |
| 17 | OQ7160050 | O-RING 28,17x3,52 NBR70 | 2 | EA |
| 18 | OQ7206021 | HYDRAULIC COUPLING 1", MALE | 2 | EA |
| 19 | OQ7160044 | O-RING 40x5 NBR70 | 4 | EA |
| 20 | OQ4112314 | WASHER 1.375 - 2.16 X 0.12 P | 2 | EA |
| 21 | OQ4112397 | NUT 1 7/16"-12UN, T=10,5 | 2 | EA |
| 22 | OQ7160047 | O-RING-021 -16MO (23,52x1,78) NBR 90D | 2 | EA |
| 23 | OQ4112667 | POLY ADAPTER 1/2" | 2 | EA |
| 24 | OQ4112660 | WASHER 1/2" | 2 | EA |
| 25 | OQ7160031 | RUBBER RING 22x4 | 2 | EA |
| 26 | OQ7060118 | SCREW | 6 | EA |
| 27 | OQ4112669 | POLY ADAPTER 3/4" | 2 | EA |
| 28 | OQ4112659 | WASHER 3/4" | 2 | EA |
| 29 | OQ7160032 | RUBBER RING 30x4 | 2 | EA |
| 30 | OQ4112671 | POLY ADAPTER 1" | 2 | EA |
| 31 | OQ4112658 | WASHER 1" | 2 | EA |
| 32 | OQ4116145 | EMBLEM - OILQUICK - OQ45-OQ65 | 2 | EA |
| 33 | OQ4113920 | BULKHEAD 1" LONG OQ70/55 | 2 | EA |

| ITEM | PN# | NAME | QTY | UOM |
|------|-----------|------------------------------------|-----|-----|
| 34 | OQ4113918 | BULKHEAD 1/2" LONG OQ70/55 | 2 | EA |
| 35 | OQ4113919 | BULKHEAD 3/4" LONG OQ70/55 | 2 | EA |
| 36 | OQ5112080 | COUPLING KIT 1/2" OQ70-90 NO BLOCK | 2 | EA |
| 37 | OQ5111083 | COUPLING KIT 1/2" LONG OQ70/55 | 2 | EA |
| 38 | OQ4112668 | POLY ADAPTER 1/2" OQ70-90 | 2 | EA |
| 39 | OQ5112081 | COUPLING KIT 3/4" OQ70-90 NO BLOCK | 2 | EA |
| 40 | OQ5111084 | COUPLING KIT 3/4" LONG OQ70/55 | 2 | EA |
| 41 | OQ4112670 | POLY ADAPTER 3/4" OQ70-90 | 2 | EA |
| 42 | OQ5112082 | COUPLING KIT 1" OQ70-90 NO BLOCK | 2 | EA |
| 43 | OQ5111085 | COUPLING KIT 1" LONG OQ70/55 | 2 | EA |
| 44 | OQ4112672 | POLY ADAPTER 1" OQ70-90 | 2 | EA |
| 45 | OQ7093007 | RIVET POP A 3,2x12,5 | 8 | EA |

4.0 - ATTACHMENT FRAME

4.3 - OQ4118439 - SPLIT BLOCKS

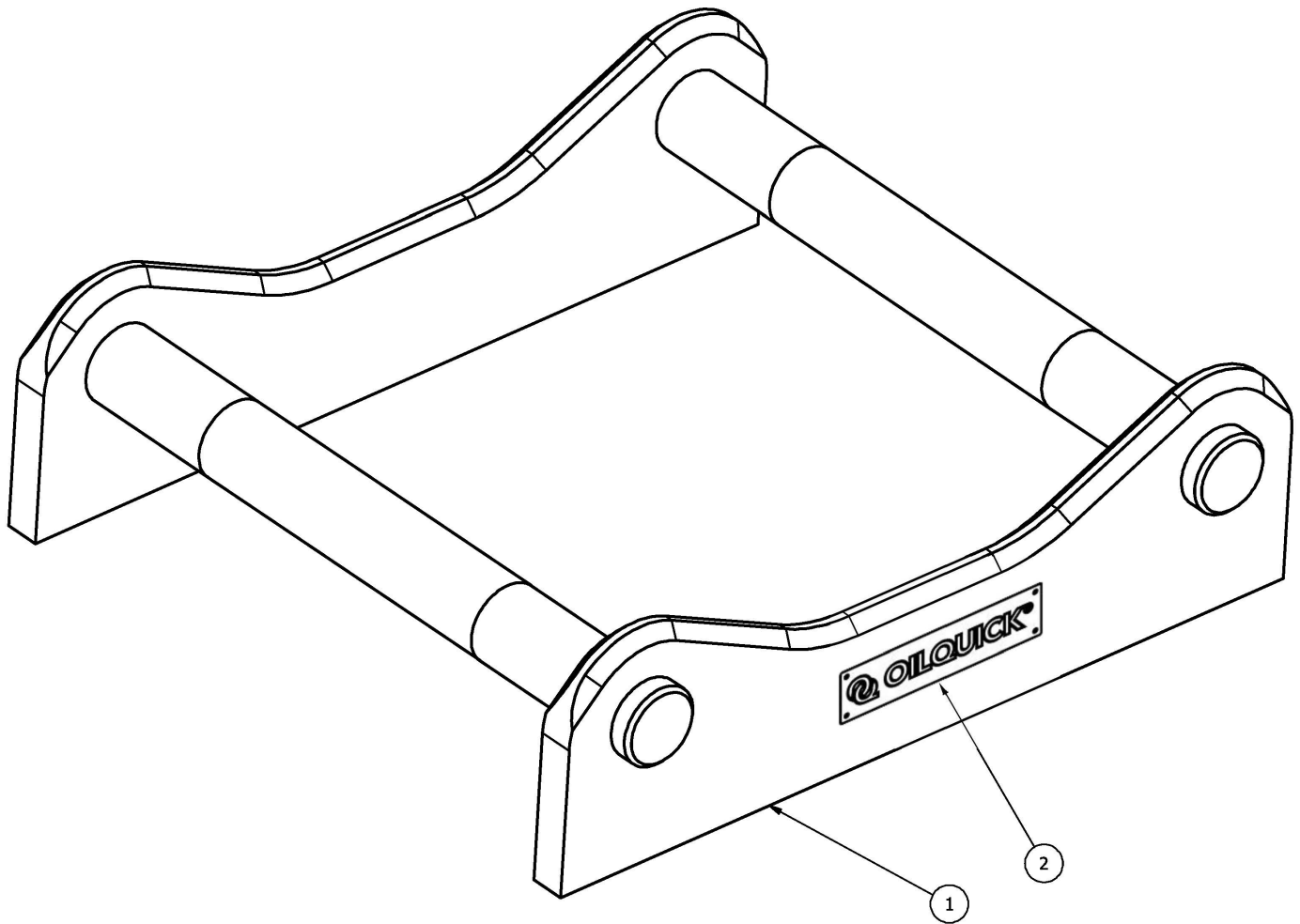


| ITEM | PN# | NAME | QTY | UOM |
|------|-----------|--|-----|-----|
| 1 | OQ411XXXX | TOOL ADAPTER | 1 | EA |
| 2 | OQ5111111 | HYDR.BLOCK KIT 2x1", 1x3/4" SPLIT | 1 | EA |
| 3 | OQ5111112 | HYDR.BLOCK KIT 2x1", 2x1/2" | 1 | EA |
| 4 | OQ5111110 | OQ80 SPLIT BLOCK KIT | 1 | EA |
| 5 | OQ5111113 | OQ70/55 80 SPLIT BLOCK KIT | 1 | EA |
| 6 | OQ5111108 | COUPLING KIT 1" OQ70-80 BLOCK | 2 | EA |
| 7 | OQ5111107 | COUPLING KIT 3/4" OQ70-80 BLOCK | 2 | EA |
| 8 | OQ5111106 | COUPLING KIT 1/2" OQ70-90 BLOCK | 2 | EA |
| 9 | OQ4117947 | SPACER, OQ70-80 TOOL ADAPTER | 1 | EA |
| 10 | OQ7060119 | SCREW MC6S M16x140 8.8 FZB | 2 | EA |
| 11 | OQ7072034 | NORDLKM16 - 25.4 X 3.3 1536 | 2 | EA |
| 12 | OQ7200273 | HYDRAULIC BLOCK 2x1", 2x1/2" | 1 | EA |
| 13 | OQ7200282 | FTG-HYD 16MBSPP - 16MO SEAL E | 2 | EA |
| 14 | OQ7200280 | FTG-HYD 12MBSPP-15LMDIN SEAL E | 2 | EA |
| 15 | OQ7200288 | SPLIT BLOCK 2x1"+2x3/4" BULK HEAD 1/2" | 1 | EA |
| 16 | OQ7200281 | FTG-HYD 12MBSPP-12MO SEAL E | 2 | EA |
| 17 | OQ7207006 | SAE6 FLANGE 1 1/4" | 4 | EA |
| 18 | OQ7060197 | SH CS M14 - 2.00 X 50 Z_12.9 | 8 | EA |
| 19 | OQ7200283 | FTG-HYD 04MBSPP PLUG SEAL E | 2 | EA |
| 20 | OQ7207007 | PLASTIC PLUG, SAE6 FLANGE 1 1/4" | 2 | EA |
| 21 | OQ7200272 | SPLIT BLOCK 2x1"+1x3/4"-SAE6 1 1/4" | 1 | EA |
| 22 | OQ7200272 | SPLIT BLOCK 2x1"+1x3/4"-SAE6 1 1/4" | 1 | EA |
| 23 | OQ7091010 | PLUG G3/4" ED | 1 | EA |
| 24 | OQ7150213 | HYDRAULIC HOSE/PIPE 1" | 2 | EA |
| 25 | OQ7160047 | O-RING-021 -16MO (23,52x1,78) NBR 90D | 2 | EA |
| 26 | OQ4112397 | NUT 1 7/16"-12UN, T=10,5 | 2 | EA |
| 27 | OQ4112314 | WASHER 1.375 - 2.16 X 0.12 P | 2 | EA |
| 28 | OQ7160044 | O-RING 40x5 NBR70 | 4 | EA |
| 29 | OQ4113607 | BULKHEAD 1" SHORT OQ70/55 OQ80 | 2 | EA |
| 30 | OQ7160050 | O-RING 28,17x3,52 NBR70 | 2 | EA |
| 31 | OQ7206021 | HYDRAULIC COUPLING 1", MALE | 2 | EA |
| 32 | OQ7150214 | HYDRAULIC HOSE/PIPE 3/4" | 2 | EA |
| 33 | OQ7160046 | O-RING-018 -12MO (18,77x1,78) NBR 90D | 2 | EA |

| ITEM | PN# | NAME | QTY | UOM |
|------|-----------|--|-----|-----|
| 34 | 40-00500 | NUT 1 3/16"-12UN, T=10,5 | 2 | EA |
| 35 | OQ4112315 | WASHER 1.188 - 1.88 X 0.12 P | 2 | EA |
| 36 | OQ7160043 | O-RING 34x5 NBR 70 | 4 | EA |
| 37 | OQ4113606 | BULKHEAD 3/4" SHORT OQ70/55 | 2 | EA |
| 38 | OQ7160049 | O-RING 23,47x2,62 NBR70 | 2 | EA |
| 39 | OQ7206019 | HYDRAULIC COUPLING 3/4", MALE | 2 | EA |
| 40 | OQ7150215 | HYDRAULIC HOSE 1/2" L=570 | 2 | EA |
| 41 | OQ7160045 | O-RING-014 -08MO (12,42x1,78) NBR 90D | 2 | EA |
| 42 | OQ4112399 | NUT 13/16"-16UN, T=9 | 2 | EA |
| 43 | OQ4112316 | WASHER 0.750 - 1.49 X 0.12 P | 2 | EA |
| 44 | OQ7160042 | O-RING 24x5 NBR70 | 4 | EA |
| 45 | OQ4113605 | BULKHEAD 1/2" short OQ70/55 OQ80 | 2 | EA |
| 46 | OQ7160048 | O-RING 17,6x2,62 NBR70 | 2 | EA |
| 47 | OQ7206017 | HYDRAULIC COUPLING 1/2", MALE | 2 | EA |
| 48 | OQ7200386 | SPLIT BLOCK OQ80 OQ70/55 2x1,2x3/4,2x1/2 | 1 | EA |
| 49 | OQ5111114 | HYDR.BLOCK KIT 2x1", 2x3/4", 2x1/2" | 1 | EA |

4.0 - ATTACHMENT FRAME

4.4 - OQE05836 - MECHANICAL ATTACHMENT FRAME



| ITEM | PN# | NAME | QTY | UOM |
|------|-----------|--|-----|-----|
| 1 | OQE00118 | OQ70/55R- MECHANICAL ATTACHMENT FRAME | 1 | EA |
| 2 | OQ4116271 | EMBLEM - OILQUICK - OQ70-OQ120 | 2 | EA |
| 3 | OQE04831 | INSTRUCTIONS MECHANICAL ATTACHMENT FRAME | 1 | EA |

Dealer:



OilQuickAmericas
155 Main Street
Superior, WI 54880
Phone: 262.607.8425
Fax: 715.395.3703

E-mail: info@oilquickamericas.com
Web: www.oilquickamericas.com