

Manufacturer:

OilQuickAmericas
155 Main Street
Superior, WI 54880
Phone: 262.607.8425
Fax: 715.395.3703

E-mail: info@oilquickamericas.com
Web: www.oilquickamericas.com

When ordering spare parts:

- Include the part number, description and desired quantities.
- Include your complete address.
- Specify how the parts are to be delivered.



TABLE OF CONTENTS

OQ80

1.0 - QUICK COUPLER

1.1 - OQ80 COUPLER	4
--------------------------	---

2.0 - INSTALL COMPONENTS

2.1 - HOSE CLAMPS	8
2.1.1 - OQ4119447 - HOSE CLAMP 1"	8
2.1.2 - OQ4119426 - HOSE CLAMP 1" + 1/2"	9
2.1.3 - OQ4129702 - HOSE CLAMP 1" + 3/4"	10
2.1.4 - OQ4119435 - HOSE CLAMP 1" + 3/4" + 1/2"	11
2.1.5 - OQ4124038 - HOSE CLAMP 1" + 2" X 1/2"	12
2.1.6 - OQ4119458 - HOSE CLAMP SPACER KIT	13
2.2 - OQ5110941 - GUIDE BLOCK MANIFOLD (DRAIN CROSSOVER)	14
2.3 - OQE06347 - ASSEMBLY GUIDE BLOCK OQ65+	16

3.0 - SERVICE COMPONENTS

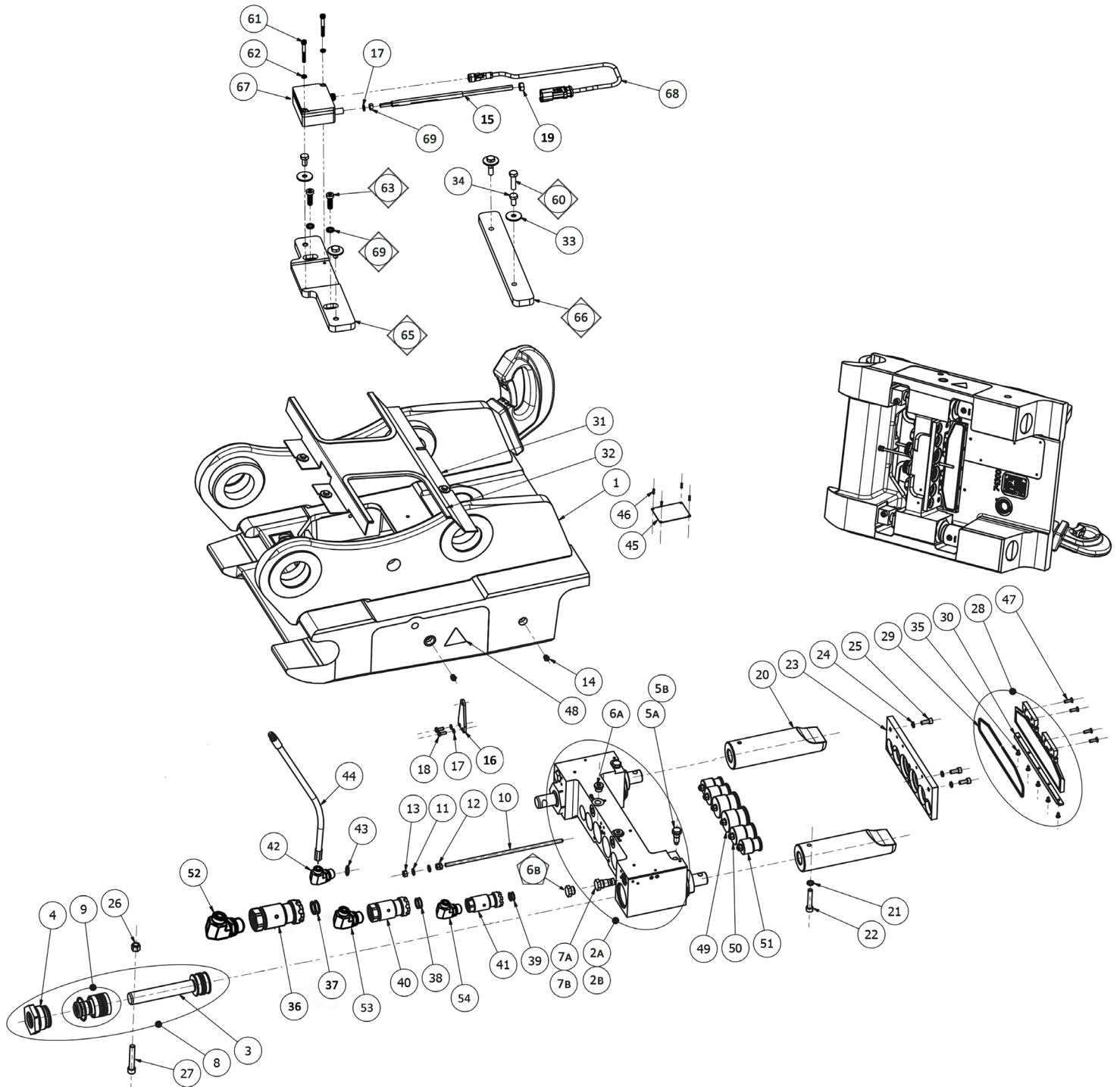
3.1 - OQ5116281 - FIRST AID KIT OQ80	17
--	----

4.0 - ATTACHMENT FRAMES

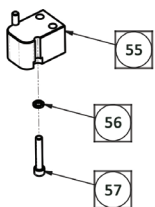
4.1 - OQ4120603 - D-FRAME	18
4.2 - OQ4113943 - C-FRAME	20
4.3 - OQ4118439 - SPLIT BLOCKS	24
4.4 - OQE04830 - MECHANICAL FRAME	27

1.0 - COUPLER

1.1 - OQ80 COUPLER



Notes:



- 1. Plugs used on H-cylinder 2.0 to plug pilot operated check valve, Item #7b.
- 2. Items used on retrofitted couplers without sensor mounting holes present on coupler body.
- 3. Items used on OQ80 chassis 2.0.

ITEM	PART#	NAME	QTY	UOM
1	-	OQ80 QUICK COUPLER	1	EA
2A	OQ4115817	H-CYLINDER OQ70/55-80	1	EA
2B	OQ4130928	H-CYLINDER 2.0 OQ70/55-80	1	EA
3	OQ4115808	PISTON ROD OQ70/55-80	2	IN
4	OQ4115264	GUIDE NUT, PISTON ROD OQ70/55-80	2	EA
5A	OQ7008004	PRESSURE RELIEF VALVE	2	EA
5B	OQ7008001	PRESSURE RELIEF VALVE H-CYL 2.0	2	EA
6A	OQ7200224	PLUG VSTI M16x1,5 ED	2	EA
6B	OQ7200224	PLUG VSTI M16x1,5 ED (SEE NOTE 1)	2	EA
7A	OQ7009012	CHECK VALVE 4CK30-I-S3-A9	2	EA
7B	OQ7009001	PILOT OPERATED CHECK VALVE H-CYL 2.0	2	EA
8	OQ4115265	KIT-PISTON ROD H-CYL. OQ70/55-80 COMPL.	2	EA
9	OQ7020230	SEAL KIT H-CYL OQ70/55-80 DOC	1	EA
10	OQ4115783	OPENING BAR OQ80 BULKHEAD 1/2" LONG OQ80	1	EA
11	OQ7072025	WASHER M8 - 16.0 Z	2	EA
12	OQ7065011	NUT M6M M8 FZB	2	EA
13	OQ7065001	NUT M6M M8 NYLOCK	1	EA
14	OQ7205005	GREASE NIPPLE M10x1,5	4	EA
15	OQE05933	OQ80 E-VA ROD-218MM	1	EA
16	OQE06973	OQ80 SENSOR BRACKET	1	EA
17	OQ7072020	WASHER NORDLOCK M6	3	EA
18	OQ7060082	SCREW M6S M6x14 8.8 FZB	2	EA
19	50-01346	FH CS M6 - 1.0 X 12 Z_8.8	1	EA
20	OQ4113744	LOCKING PLUNGER OQ80/OQS80	2	EA
21	OQ7072028	WASHER NORDLOCK M10	2	EA
22	OQ7060106	SCREW MC6S M10x55 12.9	2	EA
23	OQ4115362	GUIDE PLATE OQ70/55-80	1	EA
24	OQ7072021	WASHER NORDLOCK M8	3	EA
25	OQ7060079	SCREW MC6S M8 - 1.25 x 20 12.9	3	EA
26	OQ7065005	NUT- M12 NYLOCK	2	EA

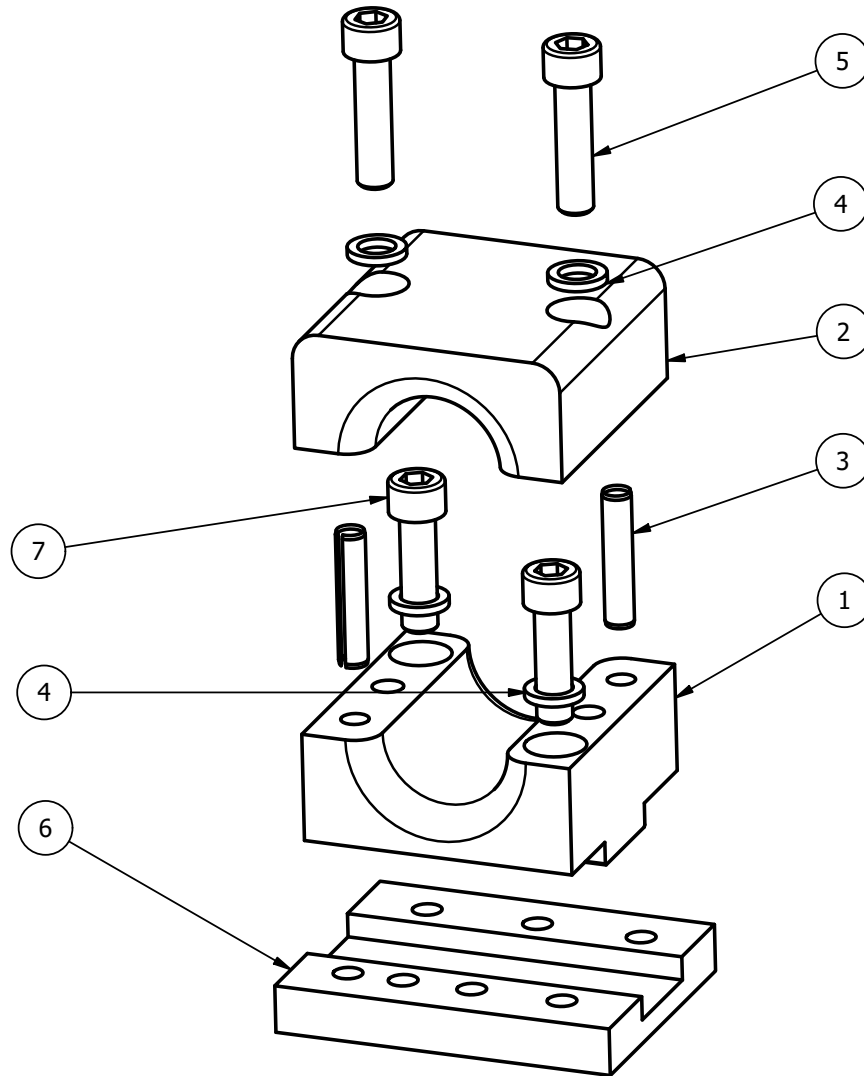
ITEM	PART#	NAME	QTY	UOM
27	OQ7060148	SCREW MC6S M12x70 12.9	2	EA
28	OQ4114582	DIRT GUARD OQ70/55-80	1	EA
29	OQ4115211	RUBBER SEAL, DIRT GUARD	1	EA
30	OQ4114420	GUIDE LIP, DIRT GUARD OQ70/55-80	1	EA
31	OQE06613	GUARD ASSY OQSS OQ80	1	EA
32	30-00871	EDGE TRIM PVC 1/16" (.040"-.095") X 5/8"	32	IN
33	OQ7072035	WASHER FNDR M8 - 28.0 Z	4	EA
34	OQ7060004	SCREW M6S M8 - 1.25 x 16 8.8 FZB	4	EA
35	OQ7060136	SCREW MF6S M5x10 10.9	5	EA
36	OQ4118454	HYDRAULIC COUPLING 1" - M33, FEMALE	2	EA
37	OQ7072132	NOSE 1"	2	EA
38	OQ7020131	NOSE SEAL 3/4"	2	EA
39	OQ7020130	NOSE SEAL 1/2"	2	EA
40	OQ4118524	HYDRAULIC COUPLING 3/4", FEMALE	2	EA
41	OQ4118550	HYDRAULIC COUPLING 1/2", FEMALE	2	EA
42	OQ7200209	ELBOW ORFS06 UF-M16x1,5 UF 90° ADJ	2	EA
43	OQ7200155	SEAL WASHER M16	2	EA
44	OQE04546	HOSE-HYD 04M2TMTF-06FOX-06FOX-43.25CL	2	EA
45	OQE04743	OILQUICK IDENTIFICATION PLATE SERIAL TAG	1	EA
46	OQ7093007	POP RIVET A 3,2x12,5	4	EA
47	OQ7060091	SCREW MF6S M6x20 10.9	4	EA
48	OQ7410059	PINCH DECAL	2	EA
49	OQ4121131	POLY ADAPTER 1", H-CYLINDER	2	EA
50	OQ4121134	POLY ADAPTER 3/4", H-CYLINDER	2	EA
51	OQ4121137	POLY ADAPTER 1/2", H-CYLINDER	2	EA
52	OQ7200229	ELBOW ORFS16 UF-M33x2 UF 90° ADJ	2	EA
53	OQ7200228	ELBOW ORFS12 UF-M27x2 UF 90° ADJ	2	EA
54	OQ7200227	ELBOW ORFS08 UF-M22x1,5 UF 90° ADJ	2	EA
55	OQ4132213	CHASSIS 2.0 H-CYL MOUNT OQ70 70/55 OQ80	2	EA
56	50-00682	WASHER NORDLOCK M10 - 16.6 X 2.5 1244	4	EA
57	OQ7060190	SCREW MC6S M10x60 12.9	4	EA
58	OQE06685	SHIM ADJUSTMENT M6 - 0.2MM	4	EA

ITEM	PART#	NAME	QTY	UOM
59	OQE06686	ADJUSTMENT M6 - 0.5MM	4	EA
60	50-00753	HH CS M8 - 1.25 X 30 Z_10.9 (SEE NOTE 2)	2	EA
61	50-01095	SH CS M5 - 0.8 X 40 Z_12.9	2	EA
62	OQ7072033	WASHER NORDLOCK M5 - 9.0 X 1.8	2	EA
63	50-01372	SH CS M8 - 1.25 X 25 Z_8.8 LOW PROFILE (SEE NOTE 2)	2	EA
64	50-00773	WASHER NORDLOCK M8 - 13.5 X 2.5 1231 (SEE NOTE 2)	2	EA
65	OQE06571	OQSS RETRO MOUNT PLATE OQ70/55 80 (SEE NOTE 2)	1	EA
66	OQE06572	OQSS RETRO SPACER PLATE OQ70/55 80 (SEE NOTE 2)	1	EA
67	OQ1800514	LOCK SENSOR E-VA	1	EA
68	OQE07560	CABLE 8-POS FEMALE M12/PL 3M	1	EA
69	50-00082	NUT M6 - 1.00 Z_8	1	EA

2.0 - INSTALL COMPONENTS

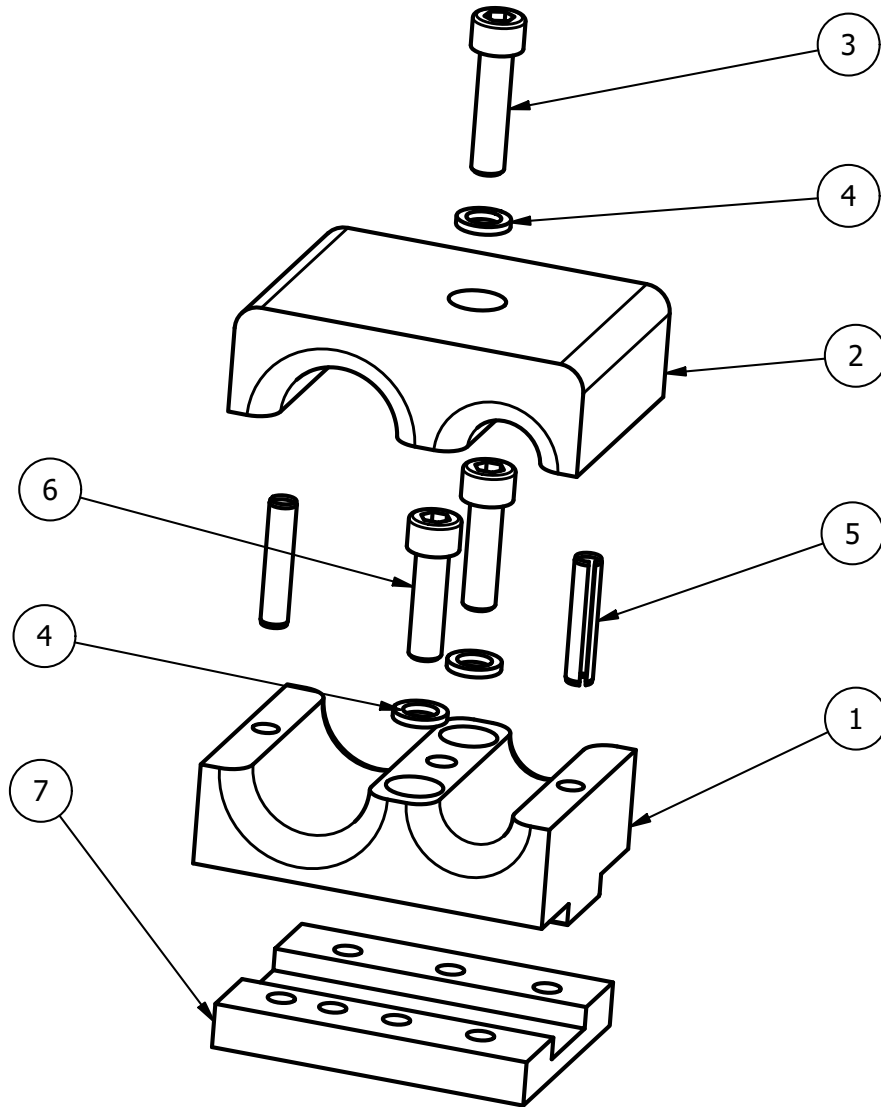
2.1 - HOSE CLAMPS

2.1.1 - OQ4119447 - HOSE CLAMP 1"



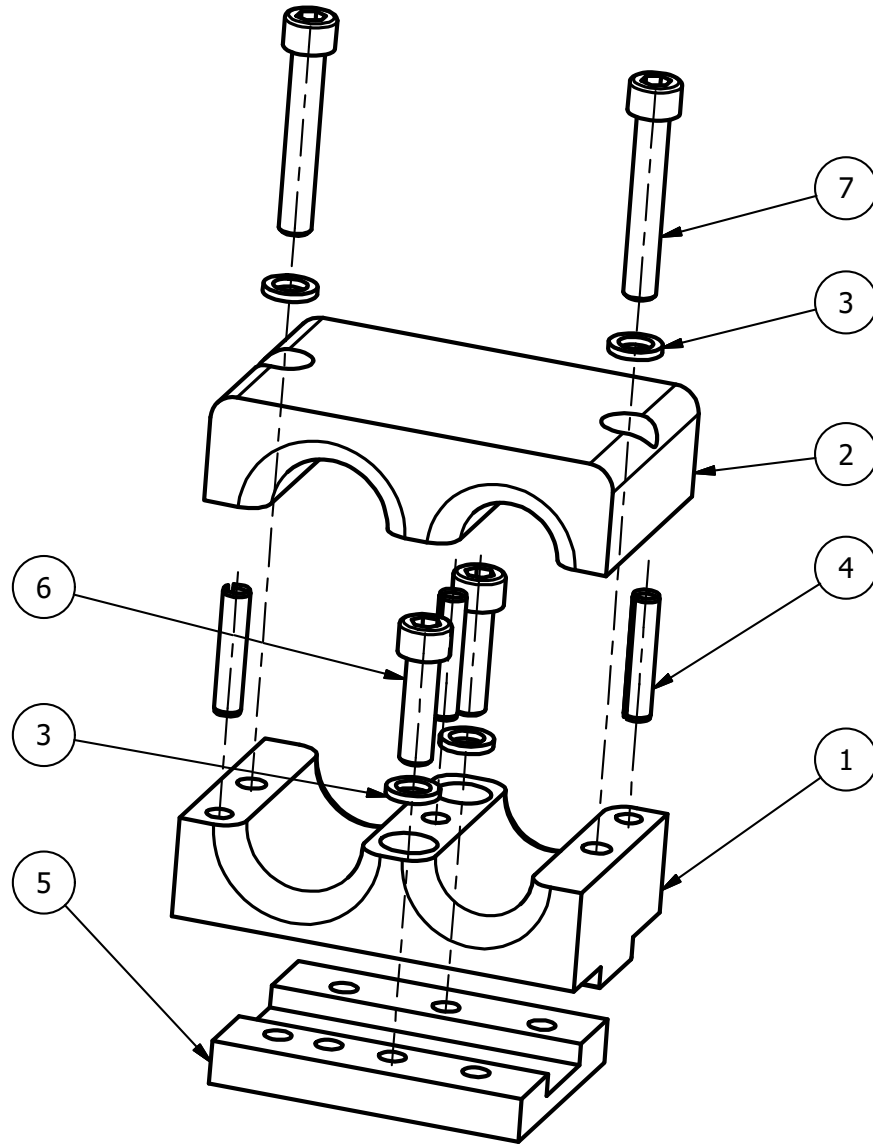
ITEM	PN#	NAME	QTY	UOM
1	OQ4119449	BASE HOSE HOLDER	1	EA
2	OQ4119448	UPPER HOSE HOLDER	1	EA
3	OQ7189026	SPRING PIPE STICK FRP 8X40 DIN 1481	2	EA
4	OQ7072028	LOCK WASHER NORLOCK M10	4	EA
5	OQ7060110	SCREW MC6S 10X40	2	EA
6	OQ4119391	WELDING PLATE	1	EA
7	OQ7060099	SCREW MC6S 10X35	2	EA

2.1.2 - OQ4119426 - HOSE CLAMP 1" + 1/2"



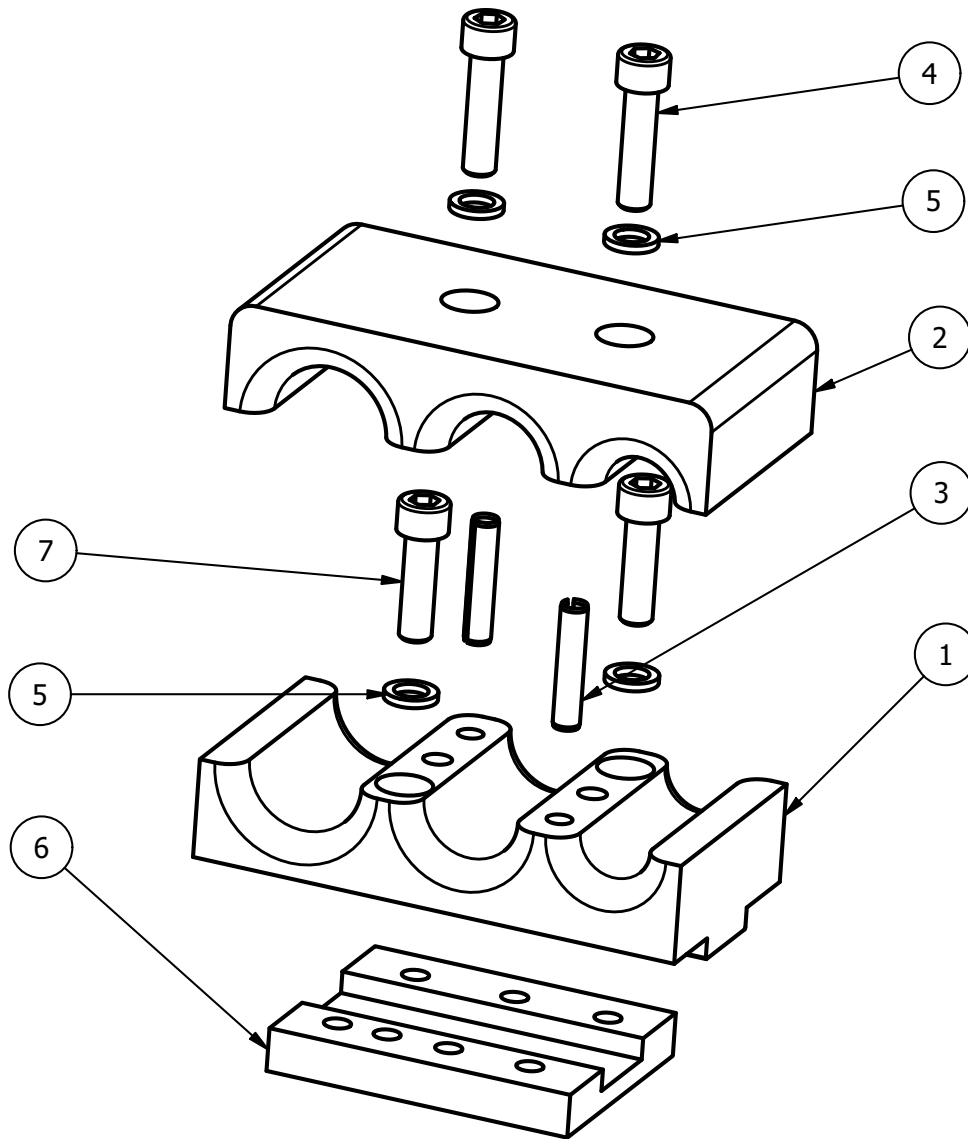
ITEM	PN#	NAME	QTY	UOM
1	OQ4119428	BASE HOSE HOLDER - 1" + 1/2"	1	EA
2	OQ4119427	UPPER HOSE HOLDER - 1" + 1/2"	1	EA
3	OQ7060110	SCREW MC6S 10X40	1	EA
4	OQ7072028	LOCK WASHER NORLOCK M10	3	EA
5	OQ7089026	SPRING PIPE STICK	2	EA
6	OQ7060099	SCREW MC6S 10X35	2	EA
7	OQ4119391	WELDING PLATE	1	EA

2.1.3 - OQ4129702 - HOSE CLAMP 1" + 3/4"



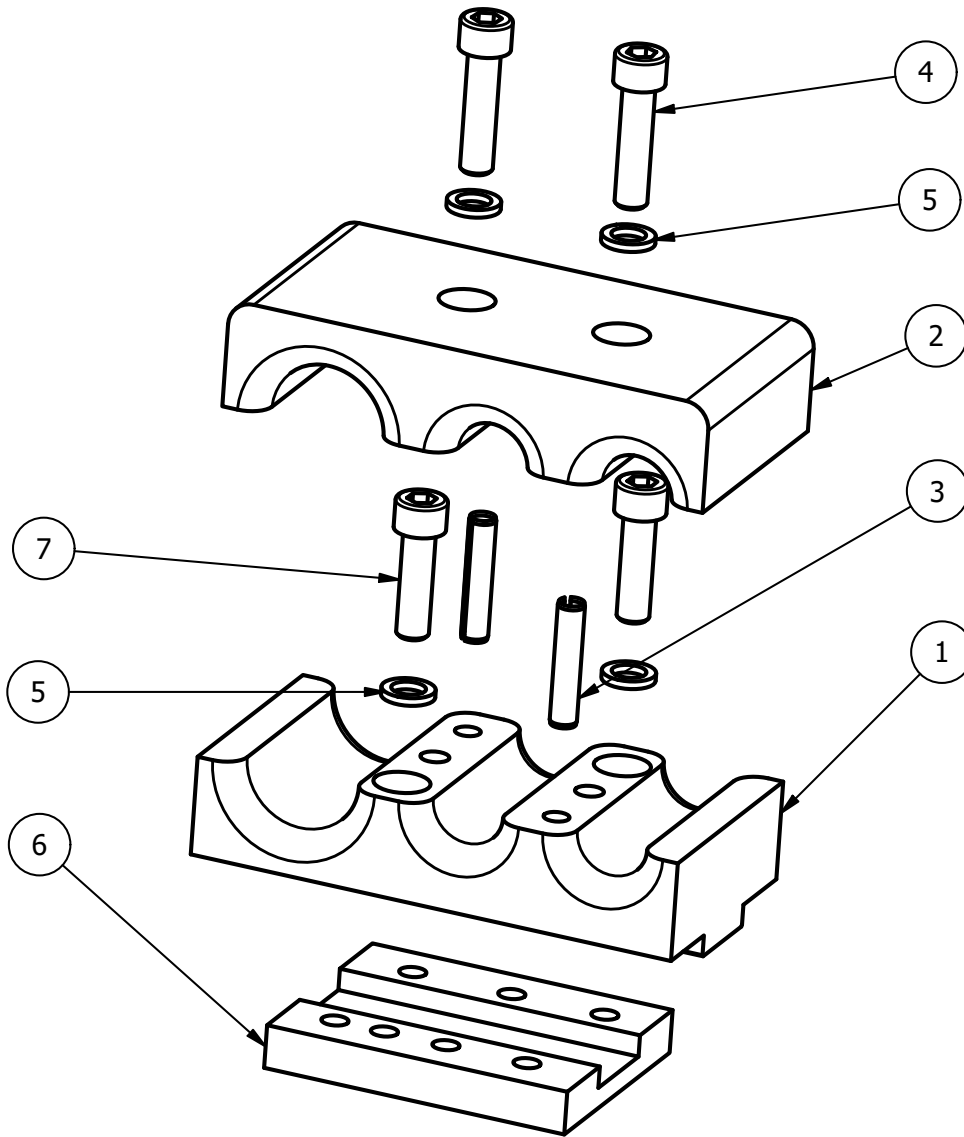
ITEM	PN#	NAME	QTY	UOM
1	OQ4129701	BASE HOSE HOLDER - 1" + 3/4"	1	EA
2	OQ4129700	UPPER HOSE HOLDER - 1" + 3/4"	1	EA
3	OQ7072028	LOCK WASHER NORLOCK M10	4	EA
4	OQ7089026	SPRING PIPE STICK	3	EA
5	OQ4119391	WELDING PLATE	1	EA
6	OQ7060099	SCREW MC6S 10X35	2	EA
7	OQ7060190	SCREW MC6S 10X60(12.9)	2	EA

2.1.4 - OQ4119435 - HOSE CLAMP 1" + 3/4" + 1/2"



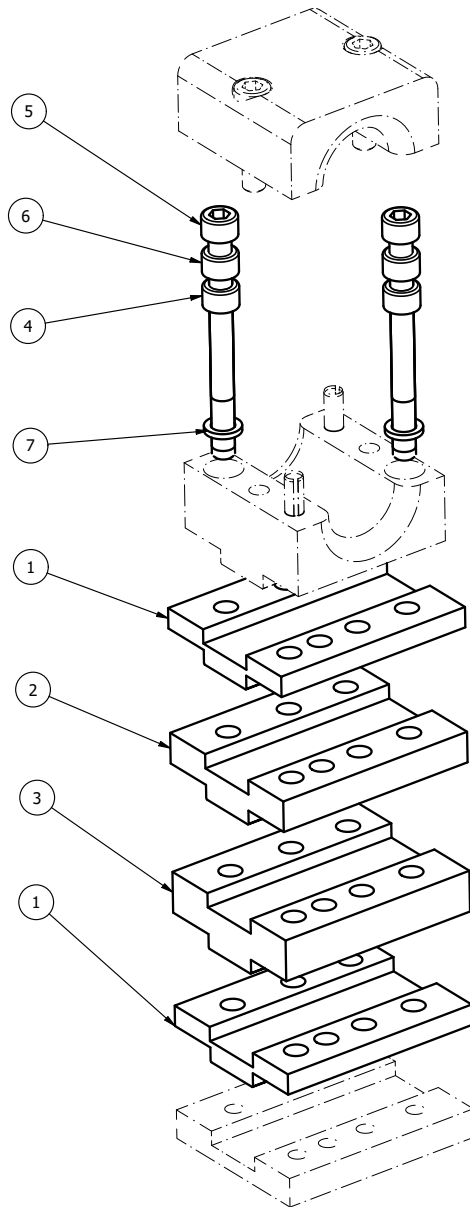
ITEM	PN#	NAME	QTY	UOM
1	OQ4119437	BASE HOSE HOLDER 1"+3/4"+1/2"	1	EA
2	OQ4119436	UPPER HOSE HOLDER 1"+3/4"+1/2"	1	EA
3	OQ7089026	SPRING PIPE STICK FRP 8x40 DIN 1481	2	EA
4	OQ7060110	SCREW MC6S 10x40	2	EA
5	OQ7072028	LOCK WASHER NORDLOCK M10	4	EA
6	OQ4119391	WELDING PLATE	1	EA
7	OQ7060099	SCREW MC6S M10x35 8.8 FZB	2	EA

2.1.5 - OQ4124038 - HOSE CLAMP 1" + 2" X 1/2"



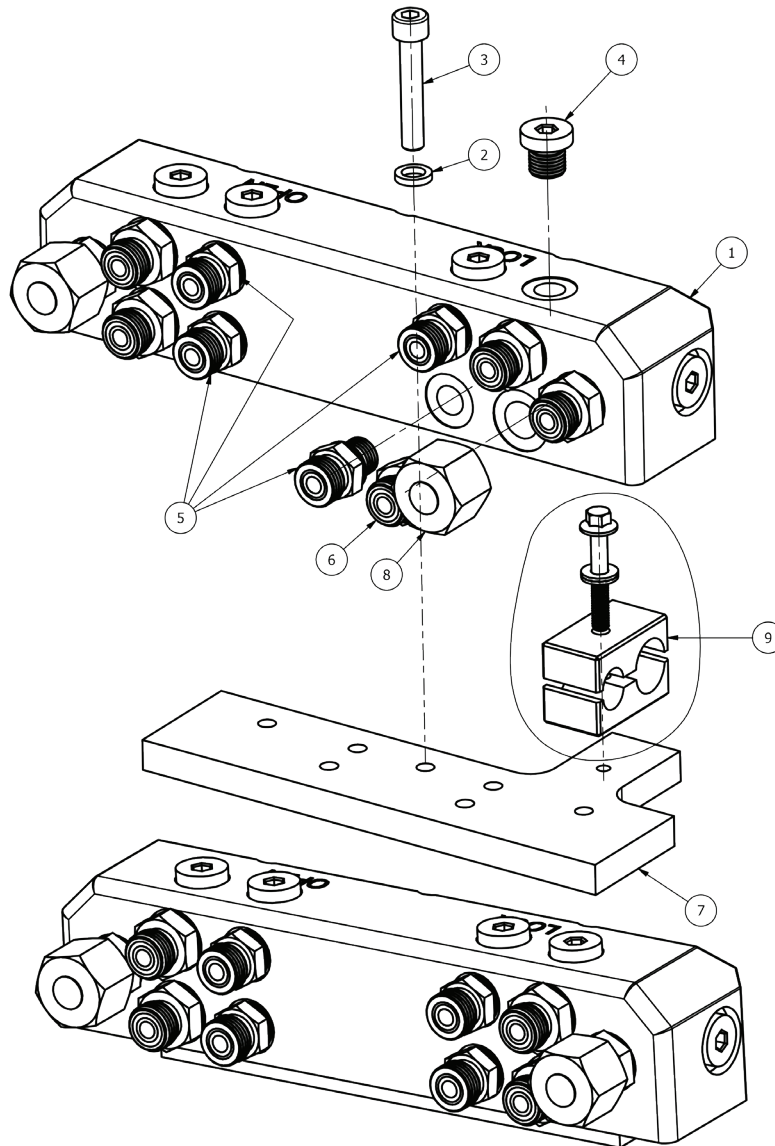
ITEM	PN#	NAME	QTY	UOM
1	OQ4124040	BASE HOSE HOLDER 1" 2 X 1/2"	1	EA
2	OQ4124039	UPPER HOSE HOLDER 1" 2 X 1/2"	1	EA
3	OQ7089026	SPRING PIPE STICK FRP 8X40 DIN 1481	2	EA
4	OQ7060110	SCREW MC6S 10X40	2	EA
5	OQ7072028	LOCK WASHER NORLOCK M10	4	EA
6	OQ4119391	WELDING PLATE	1	EA
7	OQ7060099	SCREW MC6S 10X35	2	EA

2.1.6 - OQ4119458 - HOSE CLAMP SPACER KIT



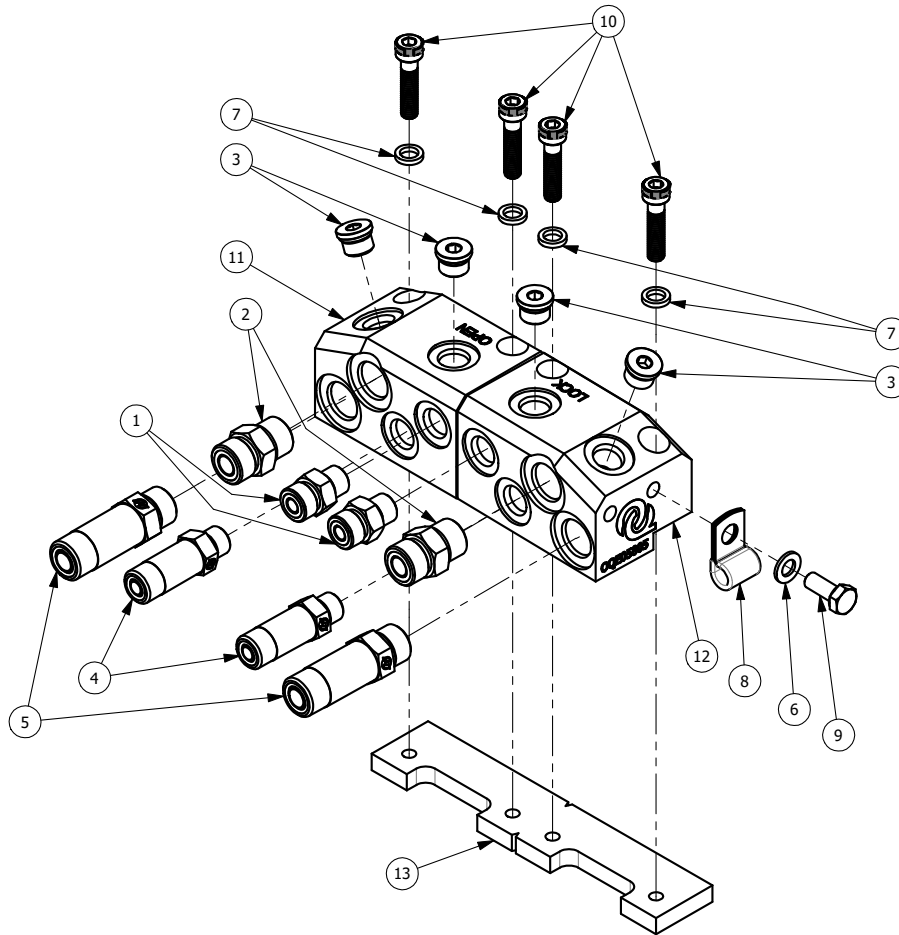
ITEM	PN#	NAME	QTY	UOM
1	OQ4119392	SPACER 10MM, HOSE CLAMP	2	EA
2	OQ4119393	SPACER 15MM, HOSE CLAMP	1	EA
3	OQ4119459	SPACER 20MM, HOSE CLAMP	1	EA
4	OQ7060146	SCREW MC6S M10x70 12.9	2	EA
5	OQ7060205	SCREW MC6S M10x80 12.9	2	EA
6	OQ7060177	SHCS MC6S M10-1.50 x90 12.9	2	EA
7	50-00682	WASHER NORDLOCK M10 - 16.6 X 2.5 1244	2	EA

2.2 - OQ5110941 - GUIDE BLOCK MANIFOLD



ITEM	PN#	NAME	QTY	UOM
1	OQ4121328	HYDR.BLOCK, LOCK-, 1/2"- & DRAIN	1	EA
2	OQ7072021	WASHER NORDLOCK M8	3	EA
3	OQ7060102	SCREW MC6S M8 - 1.25 x 45	3	EA
4	OQ7200283	PLUG G1/4" ED	6	EA
5	OQ7200213	NIPPLE ORFS06 UF-M14x1,5 UF	4	EA
6	OQ7200249	NIPPLE ORFS08 UF-M16x1,5 UF	6	EA
7	OQ4115481	BRACKET, LOCKING CIRCUIT	1	EA
8	OQ7200002	BLIND NUT ORFS08IF	2	EA
9	OQ5180116	BRACES - COMPLETE	1	EA

2.3 - OQE06347 - ASSEMBLY GUIDE BLOCK OQ65+



ITEM	PART#	NAME	QTY	UOM
1	40-00088	FTG-HYD 06MB-06MO	2	EA
2	40-00314	FTG-HYD 08MB-08MO	2	EA
3	40-02866	FTG-HYD 06MB PLUG HOLLOW HEX	4	EA
4	40-03032	FTG-HYD 06MB-06MO-L	2	IN
5	40-03033	FTG-HYD 08MB-08MO-L	2	EA
6	50-00493	WASHER M8 - 16.0 X 1.6 Z	1	EA
7	50-00773	WASHER NORDLOCK M8 - 13.5 X 2.5 1231	4	EA
8	50-00872	P-CLIP M10 3/8" DIA X 3/4" W	1	EA
9	50-00931	HH CS M8-1.00 X 20 Z_8.8	1	EA
10	OQ7060078	SCREW MC6S M8 - 1.25 x 35 Z_12.9	4	EA
11	OQE05804	GUIDE BLOCK OQ65+ SPLIT-CAB	1	EA
12	OQE05805	GUIDE BLOCK OQ65+ SPLIT-TANK	1	EA
13	OQE05806	GUIDE BLOCK PLATE OQ65+	1	EA

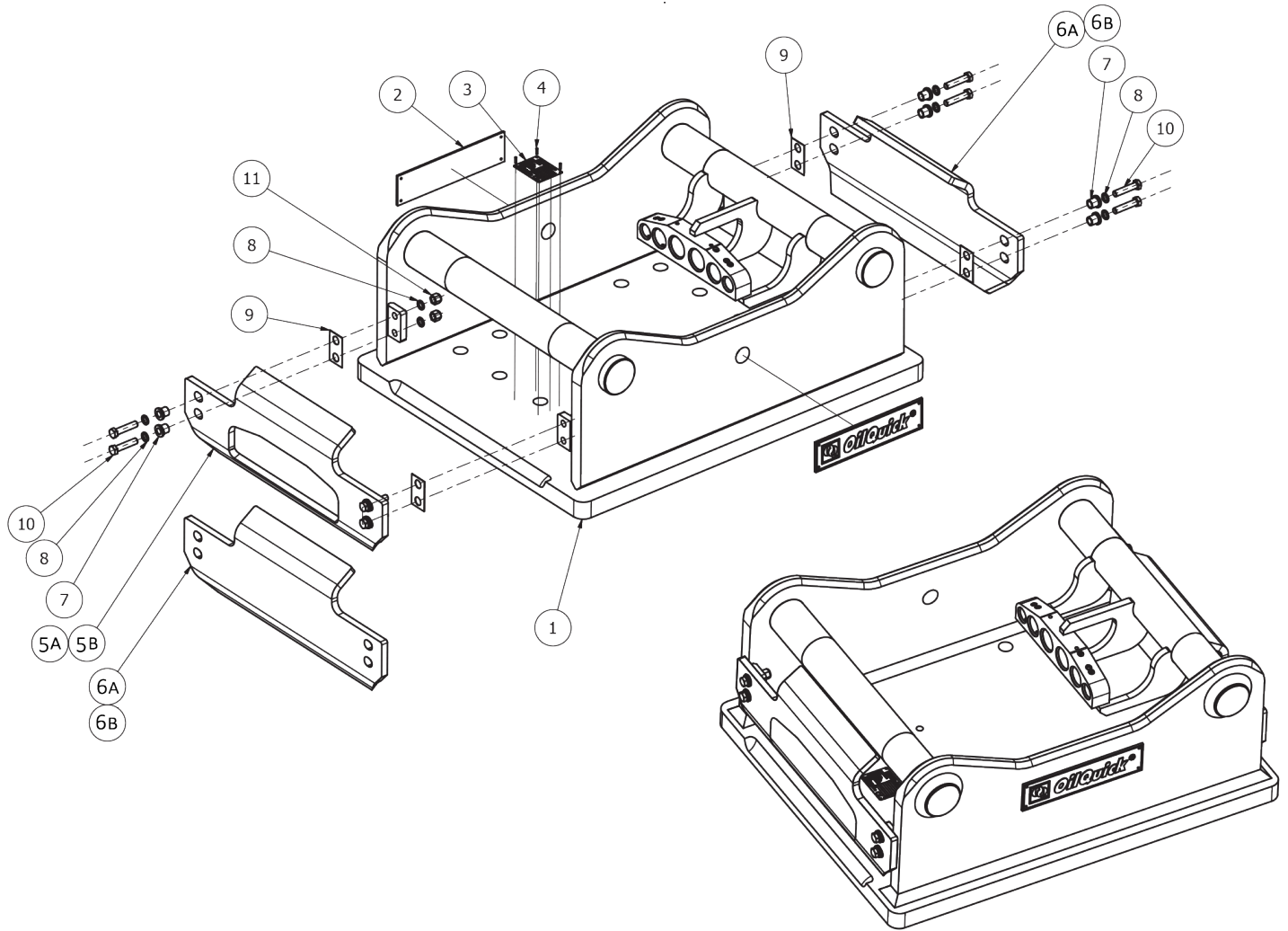
3.0 - SERVICE COMPONENTS

3.1 - OQ5116281 - FIRST AID KIT OQ80

ITEM	PN#	NAME	QTY	UOM
1	OQ7020130	NOSE SEAL 1/2"	4	EA
2	OQ7020131	NOSE SEAL 3/4"	4	EA
3	OQ7020132	NOSE SEAL 1"	4	EA
4	OQ4112220	PUSHER 1/2"	1	EA
5	OQ4112221	PUSHER 3/4"	1	EA
6	OQ4112222	PUSHER 1"	1	EA
7	OQ4116298	MOUNTING TOOL 1/2"	1	EA
8	OQ4116296	MOUNTING TOOL 3/4"	1	EA
9	OQ4116295	MOUNTING TOOL 1"	1	EA
10	OQ7410094	DECAL FIRST AID KIT	1	EA
11	OQ7406065	FIRST AID KIT BOX	1	EA

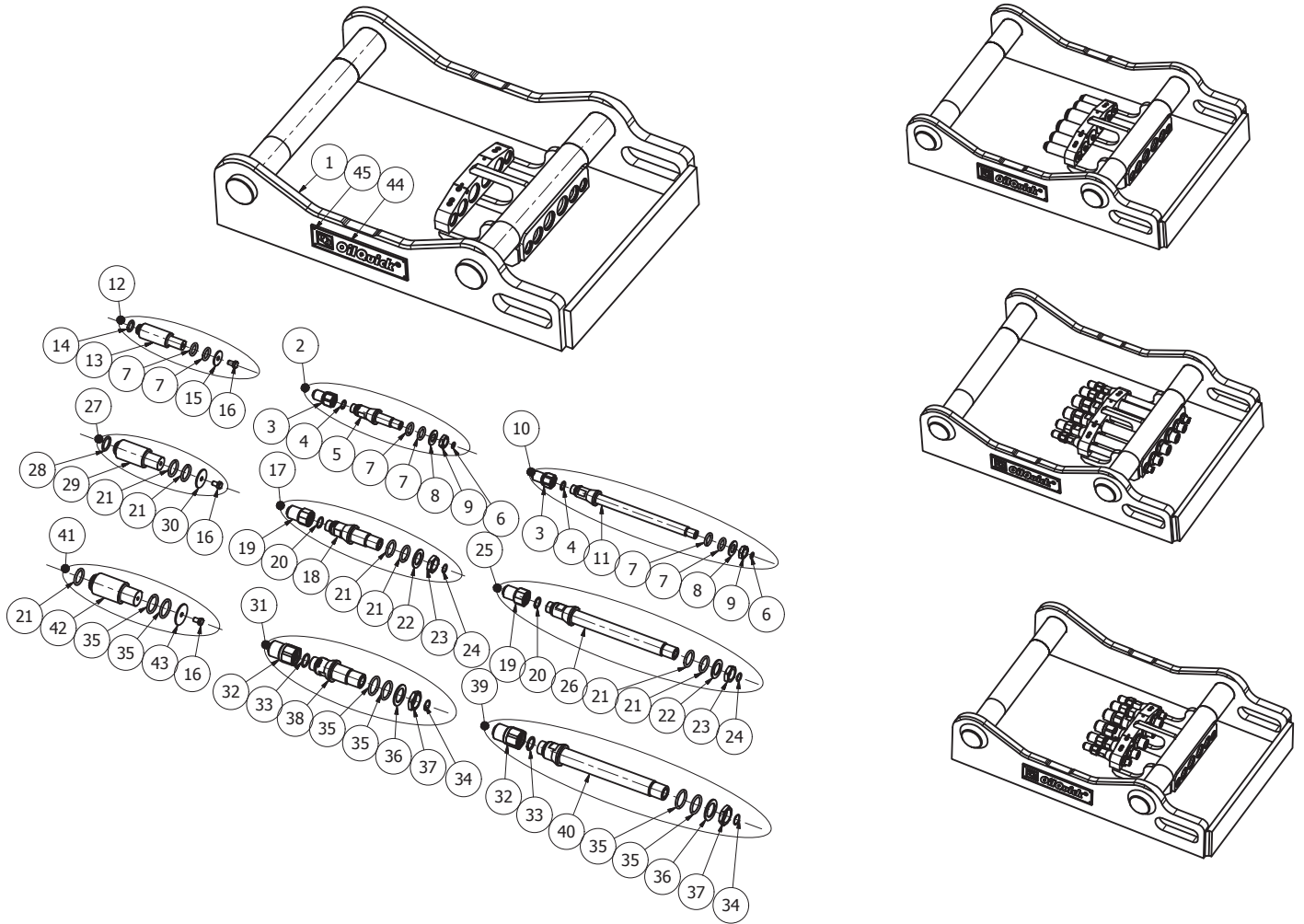
4.0 - ATTACHMENT FRAME

4.1 - OQ4120603 - D-FRAME



ITEM	PN#	NAME	QTY	UOM
1	OQ411xxxx	ATTACHMENT FRAME	1	EA
2	OQ4116271	EMBLEM - OILQUICK - OQ70-OQ120	2	EA
3	OQE04743	SERIAL TAG - OILQUICK AMERICAS	1	EA
4	OQ7093007	POP RIVET A 3,2X12,5	4	EA
5A	OQ4120332	PROTECTION PLATE, OQ80 CUTOUT	1	EA
5B	OQE04987	PROTECTION PLATE, OQ80 CUTOUT	1	EA
6A	OQ4120331	PROTECTION PLATE - OQ80 SOLID	2	EA
6B	OQE04987	PROTECTION PLATE - OQ80 SOLID	2	EA
7	OQ4120324	SLEEVE - PROTECTION PLATE TOOL ADAPT	8	EA
8	OQ7072007	OBS WASHER NORDLOCK M12-19.5 X 2.5 1262	16	EA
9	OQ4120568	RUBBER SPACER OQ80-90	4	EA
10	OQ7060217	HH CS M12 x 55 8.8_FZB	8	EA
11	OQ7065005	NUT- M12 NYLOCK	8	EA

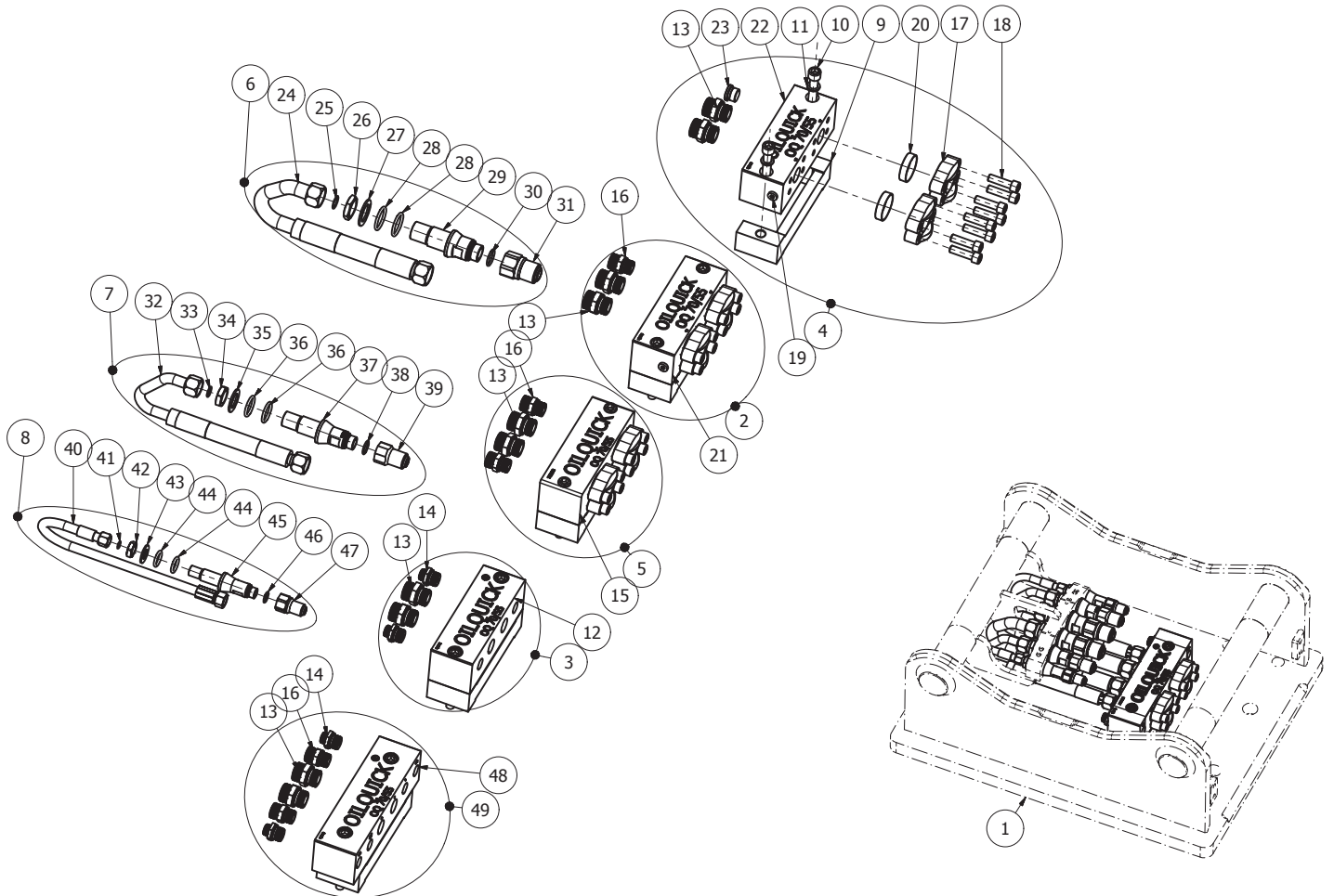
4.2 - OQ4113943 - C-FRAME



ITEM	PN#	NAME	QTY	UOM
1	OQ4113935	OQ80 C-FRAME - BLANK FPG	1	EA
2	OQ5112080	COUPLING KIT 1/2" OQ70-90 NO BLOCK	2	EA
3	OQ7206017	HYDRAULIC COUPLING 1/2", MALE	2	EA
4	OQ7160048	O-RING 17,6x2,62 NBR70	2	EA
5	OQ4113605	BULKHEAD 1/2" SHORT OQ70/55 OQ80	2	EA
6	OQ7160045	O-RING-014 -08MO (12,42x1,78) NBR 90D	2	EA
7	OQ7160042	O-RING 24x5 NBR70	4	EA
8	OQ4112316	WASHER 0.750 - 1.49 X 0.12 P	2	EA
9	OQ4112399	NUT 13/16"-16UN, T=9	2	EA
10	OQ5112083	COUPLING KIT 1/2" LONG OQ80 25.4 X 3.3	2	EA
11	OQ4113940	BULKHEAD 1/2" LONG OQ80	2	EA
12	OQ4112668	POLY ADAPTER 1/2" OQ70-90	2	EA
13	OQ4112667	POLY ADAPTER 1/2"	2	EA
14	OQ7160031	RUBBER RING 22X4	2	EA
15	OQ4112660	WASHER 1/2"	2	EA
16	OQ7060118	SCREW	6	EA
17	OQ5112081	COUPLING KIT 3/4" OQ70-90 NO BLOCK	2	EA
18	OQ4113606	BULKHEAD 3/4" SHORT OQ70/55 OQ80	2	EA
19	OQ7206019	HYDRAULIC COUPLING 3/4", MALE	2	EA
20	OQ7160049	O-RING 23,47x2,62 NBR70	2	EA
21	OQ7160043	O-RING 34x5 NBR 70	6	EA
22	OQ4112315	WASHER 1.188 - 1.88 X 0.12 P	2	EA
23	OQ4112398	NUT 1 3/16"-12UN, T=10,5	2	EA
24	OQ7160046	O-RING-018 -12MO (18,77x1,78) NBR 90D	2	EA
25	OQ5112084	COUPLING KIT 3/4" LONG OQ80	2	EA
26	OQ4113941	BULKHEAD 3/4" LONG OQ80	2	EA
27	OQ4112670	POLY ADAPTER 3/4" OQ70-90	2	EA
28	OQ7160032	RUBBER RING 30X4	2	EA
29	OQ4112669	POLY ADAPTER 3/4"	2	EA
30	OQ4112659	WASHER 3/4"	2	EA
31	OQ5112082	COUPLING KIT 1" OQ70-90 NO BLOCK	2	EA
32	OQ7206021	HYDRAULIC COUPLING 1", MALE	2	EA
33	OQ7160050	O-RING 28,17x3,52 NBR70	2	EA

ITEM	PN#	NAME	QTY	UOM
34	OQ7160047	O-RING-021 -16MO (23,52x1,78) NBR 90D	2	EA
35	OQ7160044	O-RING 40 x 5 NBR70	2	EA
36	OQ4112314	WASHER 1.375 - 2.16 X 0.12 P	2	EA
37	OQ4112397	NUT 1 7/16"-12UN, T=10,5	2	EA
38	OQ4113607	BULKHEAD 1" SHORT OQ70/55 OQ80	2	EA
39	OQ5112085	COUPLING KIT 1" OQ80 LONG	2	EA
40	OQ4113942	BULKHEAD 1" LONG OQ80	2	EA
41	OQ4112672	POLY ADAPTER 1" OQ70-90	2	EA
42	OQ4112671	POLY ADAPTER 1"	2	EA
43	OQ4112658	WASHER 1"	2	EA
44	OQ4116271	EMBLEM - OILQUICK - OQ70-OQ120	2	EA
45	OQ7093007	RIVET POP 3.2 x12.3 ALUMINUM	8	EA

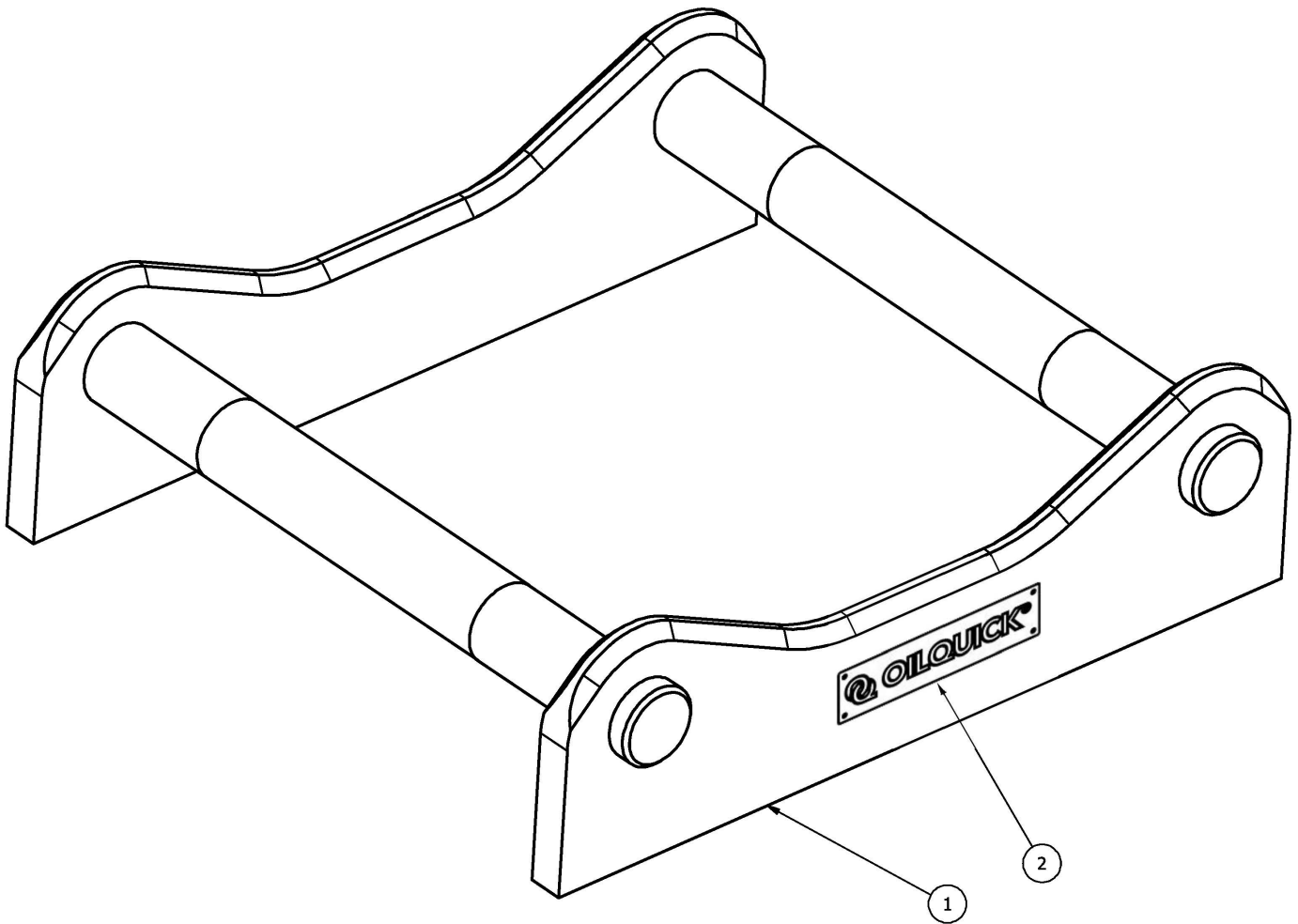
4.3 - OQ4118439 - SPLIT BLOCKS



ITEM	PN#	NAME	QTY	UOM
1	OQ411XXXX	TOOL ADAPTER	1	EA
2	OQ5111111	HYDR.BLOCK KIT 2x1", 1x3/4" SPLIT	1	EA
3	OQ5111112	HYDR.BLOCK KIT 2x1", 2x1/2"	1	EA
4	OQ5111110	OQ80 SPLIT BLOCK KIT	1	EA
5	OQ5111113	OQ70/55 80 SPLIT BLOCK KIT	1	EA
6	OQ5111108	COUPLING KIT 1" OQ70-80 BLOCK	2	EA
7	OQ5111107	COUPLING KIT 3/4" OQ70-80 BLOCK	2	EA
8	OQ5111106	COUPLING KIT 1/2" OQ70-90 BLOCK	2	EA
9	OQ4117947	SPACER, OQ70-80 TOOL ADAPTER	1	EA
10	OQ7060119	SCREW MC6S M16x140 8.8 FZB	2	EA
11	OQ7072034	NORDLKM16 - 25.4 X 3.3 1536	2	EA
12	OQ7200273	HYDRAULIC BLOCK 2x1", 2x1/2"	1	EA
13	OQ7200282	FTG-HYD 16MBSPP - 16MO SEAL E	2	EA
14	OQ7200280	FTG-HYD 12MBSPP-15LMDIN SEAL E	2	EA
15	OQ7200288	SPLIT BLOCK 2x1"+2x3/4" BULK HEAD 1/2"	1	EA
16	OQ7200281	FTG-HYD 12MBSPP-12MO SEAL E	2	EA
17	OQ7207006	SAE6 FLANGE 1 1/4"	4	EA
18	OQ7060197	SH CS M14 - 2.00 X 50 Z_12.9	8	EA
19	OQ7200283	FTG-HYD 04MBSPP PLUG SEAL E	2	EA
20	OQ7207007	PLASTIC PLUG, SAE6 FLANGE 1 1/4"	2	EA
21	OQ7200272	SPLIT BLOCK 2x1"+1x3/4"-SAE6 1 1/4"	1	EA
22	OQ7200272	SPLIT BLOCK 2x1"+1x3/4"-SAE6 1 1/4"	1	EA
23	OQ7091010	PLUG G3/4" ED	1	EA
24	OQ7150213	HYDRAULIC HOSE/PIPE 1"	2	EA
25	OQ7160047	O-RING-021 -16MO (23,52x1,78) NBR 90D	2	EA
26	OQ4112397	NUT 1 7/16"-12UN, T=10,5	2	EA
27	OQ4112314	WASHER 1.375 - 2.16 X 0.12 P	2	EA
28	OQ7160044	O-RING 40x5 NBR70	4	EA
29	OQ4113607	BULKHEAD 1" SHORT OQ70/55 OQ80	2	EA
30	OQ7160050	O-RING 28,17x3,52 NBR70	2	EA
31	OQ7206021	HYDRAULIC COUPLING 1", MALE	2	EA
32	OQ7150214	HYDRAULIC HOSE/PIPE 3/4"	2	EA
33	OQ7160046	O-RING-018 -12MO (18,77x1,78) NBR 90D	2	EA

ITEM	PN#	NAME	QTY	UOM
36	OQ7160043	O-RING 34x5 NBR 70	4	EA
37	OQ4113606	BULKHEAD 3/4" SHORT OQ70/55	2	EA
38	OQ7160049	O-RING 23,47x2,62 NBR70	2	EA
39	OQ7206019	HYDRAULIC COUPLING 3/4", MALE	2	EA
40	OQ7150215	HYDRAULIC HOSE 1/2" L=570	2	EA
41	OQ7160045	O-RING-014 -08MO (12,42x1,78) NBR 90D	2	EA
42	OQ4112399	NUT 13/16"-16UN, T=9	2	EA
43	OQ4112316	WASHER 0.750 - 1.49 X 0.12 P	2	EA
44	OQ7160042	O-RING 24x5 NBR70	4	EA
45	OQ4113605	BULKHEAD 1/2" short OQ70/55 OQ80	2	EA
46	OQ7160048	O-RING 17,6x2,62 NBR70	2	EA
47	OQ7206017	HYDRAULIC COUPLING 1/2", MALE	2	EA
48	OQ7200386	SPLIT BLOCK OQ80 OQ70/55 2x1,2x3/4,2x1/2	1	EA
49	OQ5111114	HYDR.BLOCK KIT 2x1", 2x3/4", 2x1/2"	1	EA

4.4 - OQE04830 - MECHANICAL ATTACHMENT FRAME



ITEM	PN#	NAME	QTY	UOM
1	OQE00119	OQ80R- MECHANICAL ATTACHMENT FRAME	1	EA
2	OQ4116271	EMBLEM - OILQUICK - OQ70-OQ120	2	EA
3	OQE04831	INSTRUCTIONS MECHANICAL ATTACHMENT FRAME	1	EA

Dealer:



OilQuickAmericas
155 Main Street
Superior, WI 54880
Phone: 262.607.8425
Fax: 715.395.3703

E-mail: info@oilquickamericas.com
Web: www.oilquickamericas.com