

Manufacturer:

OilQuickAmericas
155 Main Street
Superior, WI 54880
Phone: 262.607.8425
Fax: 715.395.3703

E-mail: info@oilquickamericas.com
Web: www.oilquickamericas.com

When ordering spare parts:

- Include the part number, description and desired quantities.
- Include your complete address.
- Specify how the parts are to be delivered.

TABLE OF CONTENTS

OQ70

1.0 - QUICK COUPLER

1.1 - OQ4118785 - OQ70 COUPLER	4
--------------------------------------	---

2.0 - INSTALL COMPONENTS

2.1 - HOSE CLAMPS	7
2.1.1 - OQ4119447 - HOSE CLAMP 1"	7
2.1.2 - OQ4119426 - HOSE CLAMP 1" + 1/2"	8
2.1.3 - OQ4129702 - HOSE CLAMP 1" + 3/4"	9
2.1.4 - OQ4119435 - HOSE CLAMP 1" + 3/4" + 1/2"	10
2.1.5 - OQ4124038 - HOSE CLAMP 1" + 2" X 1/2"	11
2.1.6 - OQ4119458 - HOSE CLAMP SPACER KIT	12
2.2 - OQ5113011 - GUIDE BLOCK MANIFOLD	13

3.0 - LOCK SUPPORT

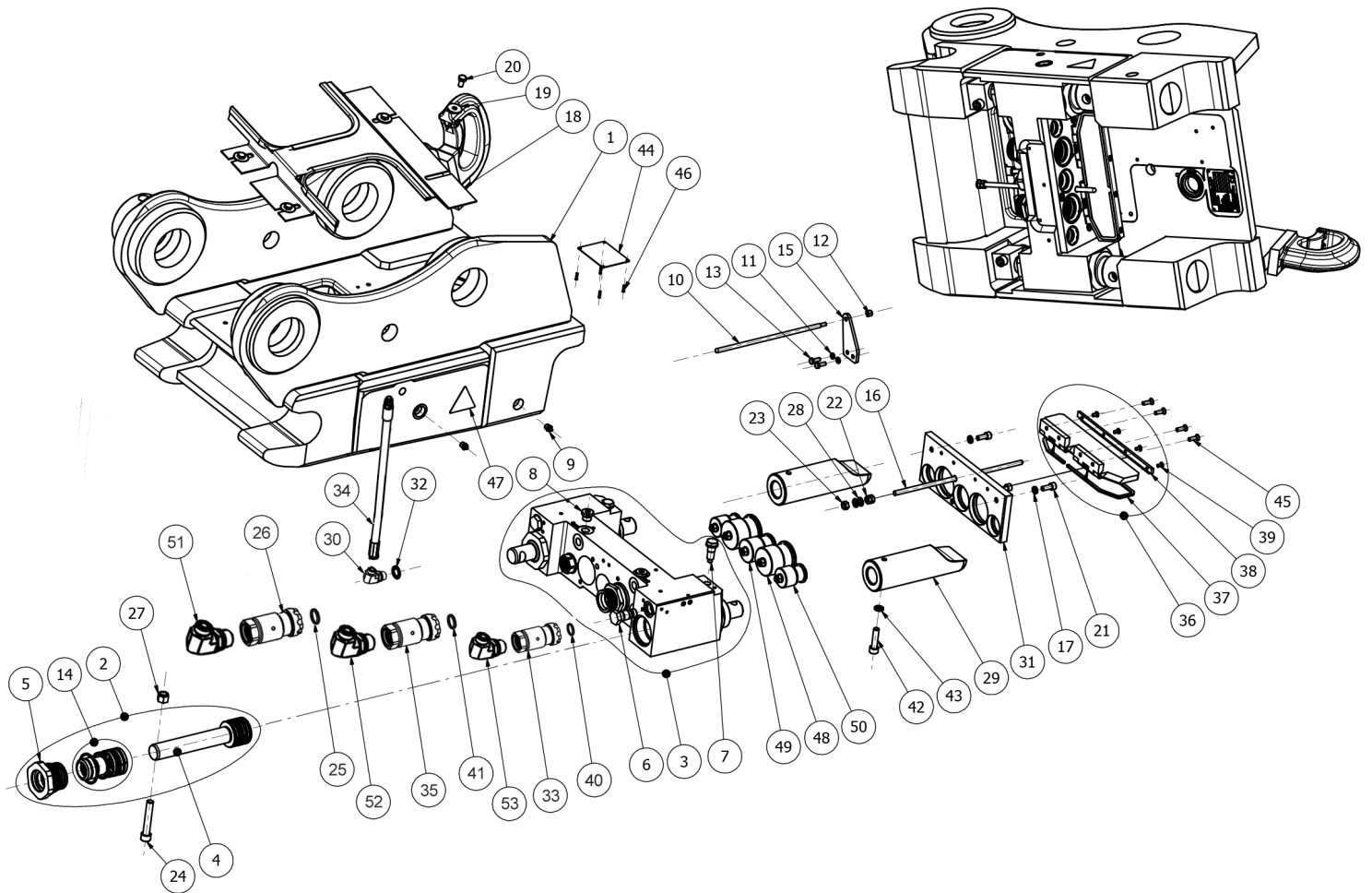
3.1 - OQ5190261 - OQLS 2.0 INSTALLATION KIT	14
3.2 - OQ5190268 - STICK UNIT KIT OQLS 2.0 15M	16
3.3 - OQ5190339 - OQ70 OQLS 2.0 SENSOR KIT	18
3.4 - OQ4120613 - LOCK VALVE	20
3.5 - OQ4123124 - DEPRESSURIZATION VALVE	22
3.6 - OQ5116281 - FIRST AID KIT OQ80	23

4.0 - ATTACHMENT FRAMES

4.1 - OQ4120601 - D-FRAME	24
4.2 - OQ4113911 - C-FRAME	26
4.3 - OQ4118852 - SPLIT BLOCKS	30
4.4 - OQE05946 - MECHANICAL FRAME	33

1.0 - COUPLER

1.1 - OQ4118785 - OQ70 COUPLER



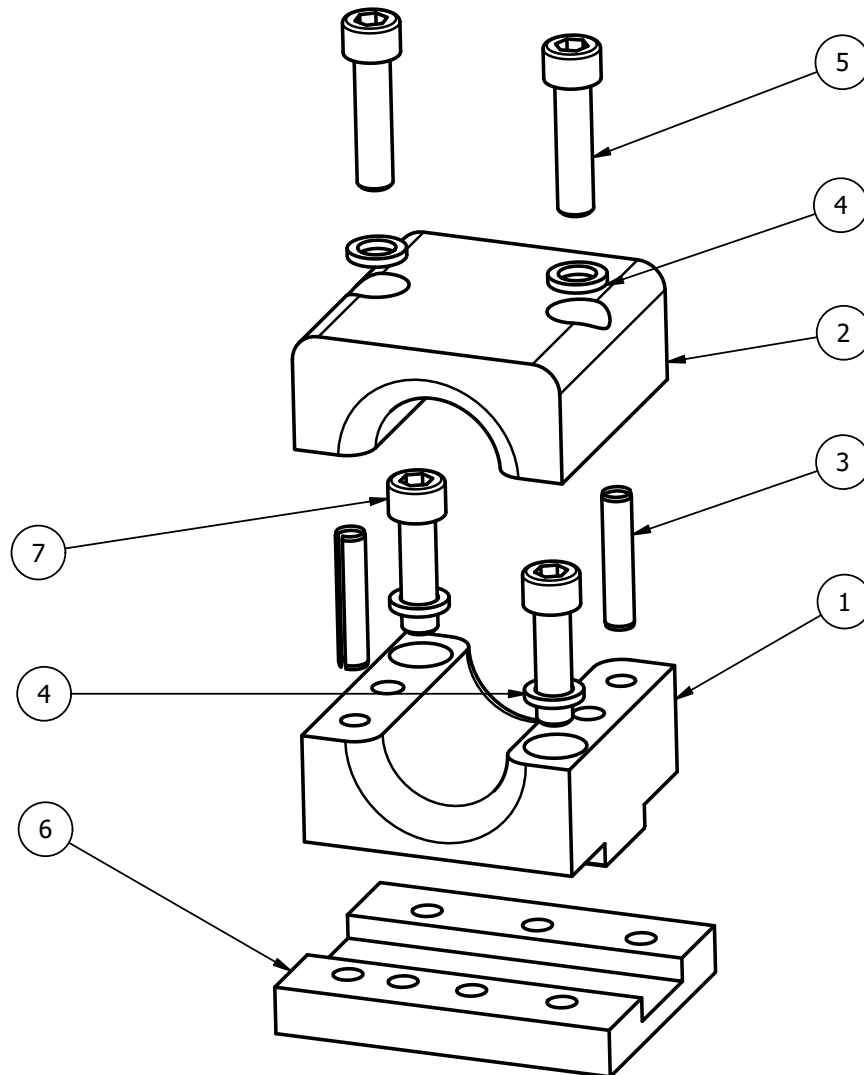
ITEM	PN#	NAME	QTY	UOM
1	OQ411XXXX	QUICK COUPLER OQ70	1	EA
2	OQ4117513	PISTON ROD H-CYL. OQ70 COMPL.	2	EA
3	OQ4117951	H-CYLINDER OQ70	1	EA
4	OQ4115828	PISTON ROD	2	EA
5	OQ4117512	PISTON GUIDE	2	EA
6	OQ7009012	CHECK VALVE 4CK30-I-S3-A9	2	EA
7	OQ7008004	PRESSURE RELIEF VALVE	2	EA
8	OQ7200224	PLUG VSTI M16x1,5 ED	2	EA
9	OQ7205005	GREASE NIPPLE M10x1,5	4	EA
10	OQ4110668	INDICATION BAR OQ70/55-80	1	EA
11	50-00905	WASHER NORDLOCK M6	3	EA
12	OQ7065021	LOCKING NUT M6 NYLOCK	1	EA
13	OQ7060082	SCREW M6S M6x14 8.8 FZB	2	EA
14	OQ7020231	SEAL KIT H-CYL. OQ70	2	EA
15	OQ4113169	INDICATOR BRACKET OQ70	1	EA
16	OQ4110907	OPENING BAR OQ70-70/55	1	EA
17	50-00773	WASHER NORDLOCK M8	3	EA
18	OQ4131407	COVER PLATE	1	EA
19	OQ7072035	WASHER FNDR M8 - 28.0 Z	4	EA
20	OQ7060004	SCREW M6S M8 - 1.25 x 16 8.8 FZB	4	EA
21	OQ7060079	SCREW MC6S M8 - 1.25 x 20 12.9	3	EA
22	50-00482	NUT M6M M8 FZB	2	EA
23	50-00754	NUT M6M M8 NYLOCK	1	EA
24	OQ7060148	SCREW MC6S M12x70 12.9	2	EA
25	OQ7020132	NOSE SEAL 1"	2	EA
26	OQ4118454	HYDRAULIC COUPLING 1" - M33, FEMALE	2	EA
27	OQ7065005	NUT- M12 NYLOCK	2	EA
28	OQ7072035	WASHER FNDR M8 - 28.0 Z	2	EA
29	OQ4114075	LOCKING PLUNGER OQ70-70/55 Ø30	2	EA
30	OQ7200209	ELBOW ORFS06 UF-M16x1,5 UF 90° ADJ	2	EA
31	OQ4115919	GUIDE PLATE OQ70	1	EA

ITEM	PN#	NAME	QTY	UOM
32	OQ7200155	SEAL WASHER M16	2	EA
33	OQ4118550	HYDRAULIC COUPLING 1/2", FEMALE	2	EA
34	OQ7150106	HYDRAULIC HOSE 1/4" L=1500	2	EA
35	OQ4118524	HYDRAULIC COUPLING 3/4", FEMALE	1	EA
36	OQ4114580	DIRT GUARD OQ70	1	EA
37	OQ4115211	RUBBER SEAL, DIRT GUARD	1	EA
38	OQ4114419	GUIDE	1	EA
39	OQ7060136	SCREW MF6S M5x10 10.9	4	EA
40	OQ7020130	NOSE SEAL 1/2"	2	EA
41	OQ7020131	NOSE SEAL 3/4"	1	EA
42	OQ7060110	SCREW MC6S M10x40 12.9	2	EA
43	50-00682	WASHER NORDLOCK M10	2	EA
44	OQ4118161	OILQUICK IDENTIFICATION PLATE	1	EA
45	OQ7060091	SCREW MF6S M6x20 10.9	4	EA
46	OQ7093007	POP RIVET A 3,2x12,5	4	EA
47	OQ7410059	PINCH DECAL	2	EA
48	OQ4121131	POLY ADAPTER 1", H-CYLINDER	2	EA
49	OQ4121134	POLY ADAPTER 3/4", H-CYLINDER	1	EA
50	OQ4121137	POLY ADAPTER 1/2", H-CYLINDER	2	EA
51	OQ7200229	ELBOW ORFS16 UF-M33x2 UF 90° ADJ	1	EA
52	OQ7200228	ELBOW ORFS12 UF-M27x2 UF 90° ADJ	1	EA
53	OQ7200227	ELBOW ORFS08 UF-M22x1,5 UF 90° ADJ	1	EA

2.0 - INSTALL COMPONENTS

2.1 - HOSE CLAMPS

2.1.1 - OQ4119447 - HOSE CLAMP 1"

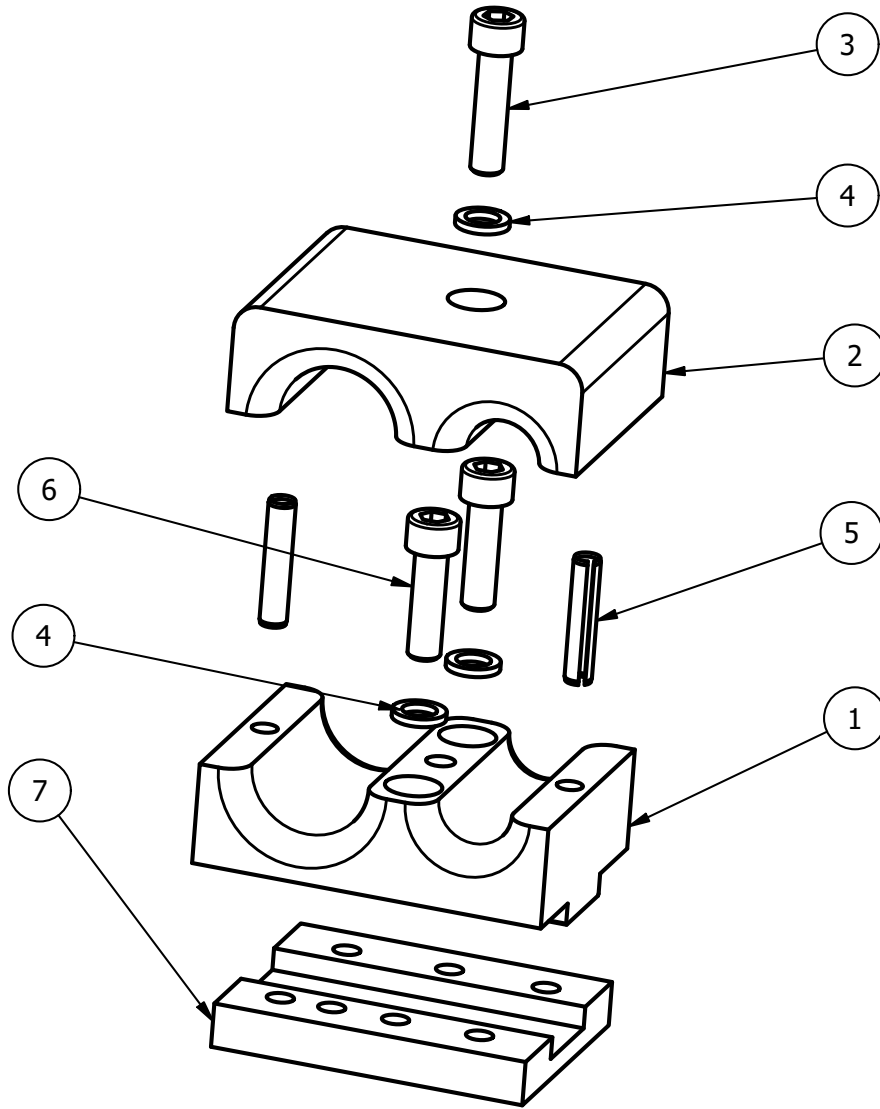


ITEM	PN#	NAME	QTY	UOM
1	OQ4119449	BASE HOSE HOLDER	1	EA
2	OQ4119448	UPPER HOSE HOLDER	1	EA
3	OQ7189026	SPRING PIPE STICK FRP 8X40 DIN 1481	2	EA
4	OQ7072028	LOCK WASHER NORLOCK M10	4	EA
5	OQ7060110	SCREW MC6S 10X40	2	EA
6	OQ4119391	WELDING PLATE	1	EA
7	OQ7060099	SCREW MC6S 10X35	2	EA

2.0 - INSTALL COMPONENTS

2.1 - HOSE CLAMPS

2.1.2 - OQ4119426 - HOSE CLAMP 1" + 1/2"

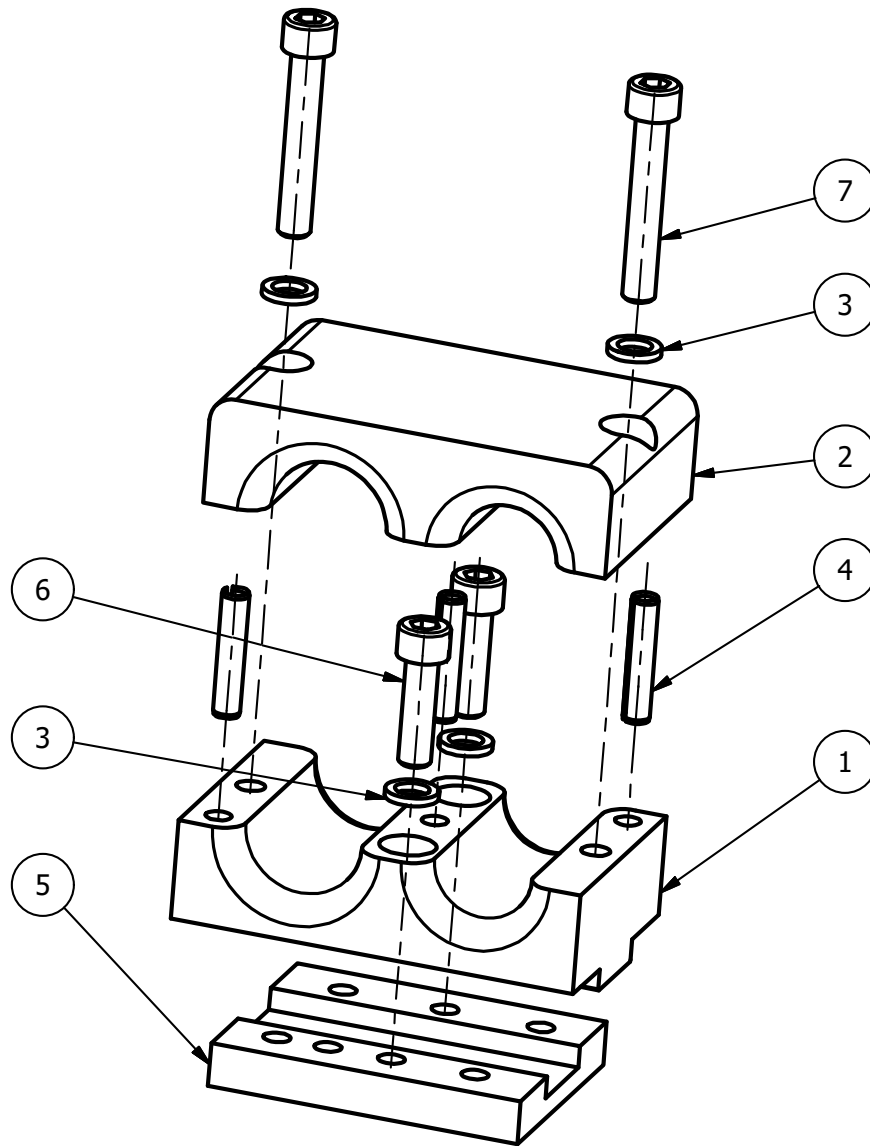


ITEM	PN#	NAME	QTY	UOM
1	OQ4119428	BASE HOSE HOLDER - 1" + 1/2"	1	EA
2	OQ4119427	UPPER HOSE HOLDER - 1" + 1/2"	1	EA
3	OQ7060110	SCREW MC6S 10X40	1	EA
4	OQ7072028	LOCK WASHER NORLOCK M10	3	EA
5	OQ7089026	SPRING PIPE STICK	2	EA
6	OQ7060099	SCREW MC6S 10X35	2	EA
7	OQ4119391	WELDING PLATE	1	EA

2.0 - INSTALL COMPONENTS

2.1 - HOSE CLAMPS

2.1.3 - OQ4129702 - HOSE CLAMP 1" + 3/4"

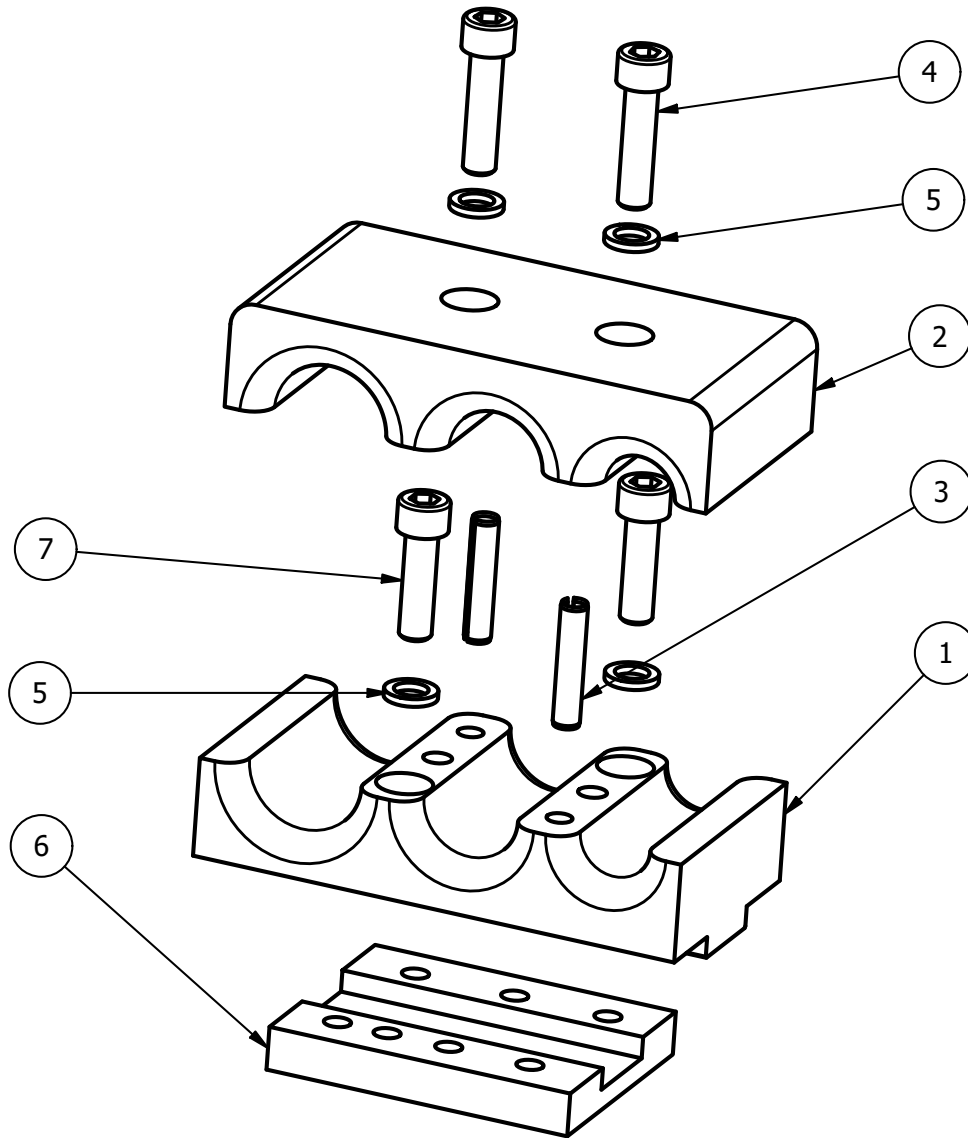


ITEM	PN#	NAME	QTY	UOM
1	OQ4129701	BASE HOSE HOLDER - 1" + 3/4"	1	EA
2	OQ4129700	UPPER HOSE HOLDER - 1" + 3/4"	1	EA
3	OQ7072028	LOCK WASHER NORLOCK M10	4	EA
4	OQ7089026	SPRING PIPE STICK	3	EA
5	OQ4119391	WELDING PLATE	1	EA
6	OQ7060099	SCREW MC6S 10X35	2	EA
7	OQ7060190	SCREW MC6S 10X60(12.9)	2	EA

2.0 - INSTALL COMPONENTS

2.1 - HOSE CLAMPS

2.1.4 - OQ4119435 - HOSE CLAMP 1" + 3/4" + 1/2"

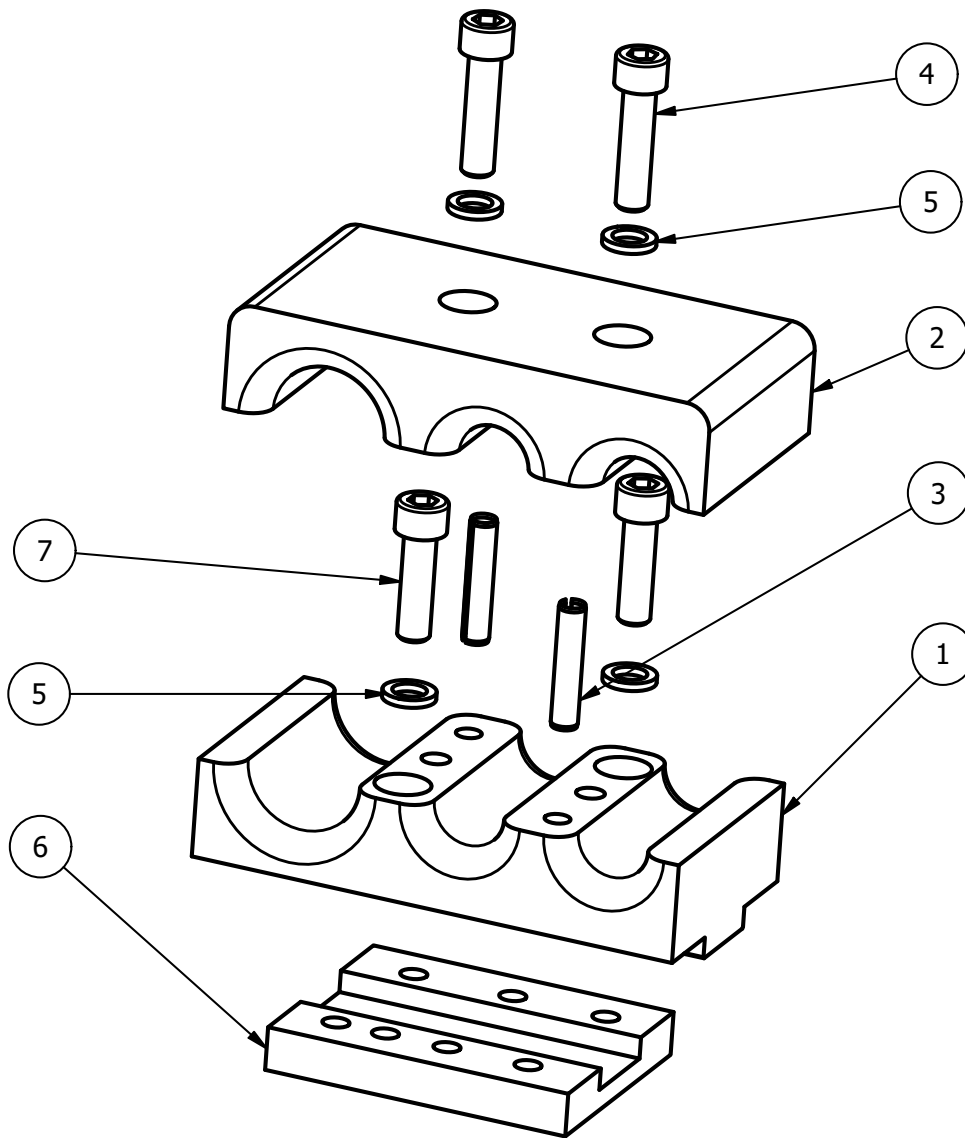


ITEM	PN#	NAME	QTY	UOM
1	OQ4119437	BASE HOSE HOLDER 1"+3/4"+1/2"	1	EA
2	OQ4119436	UPPER HOSE HOLDER 1"+3/4"+1/2"	1	EA
3	OQ7089026	SPRING PIPE STICK FRP 8x40 DIN 1481	2	EA
4	OQ7060110	SCREW MC6S 10x40	2	EA
5	OQ7072028	LOCK WASHER NORDLOCK M10	4	EA
6	OQ4119391	WELDING PLATE	1	EA
7	OQ7060099	SCREW MC6S M10x35 8.8 FZB	2	EA

2.0 - INSTALL COMPONENTS

2.1 - HOSE CLAMPS

2.1.5 - OQ4124038 - HOSE CLAMP 1" + 2" X 1/2"

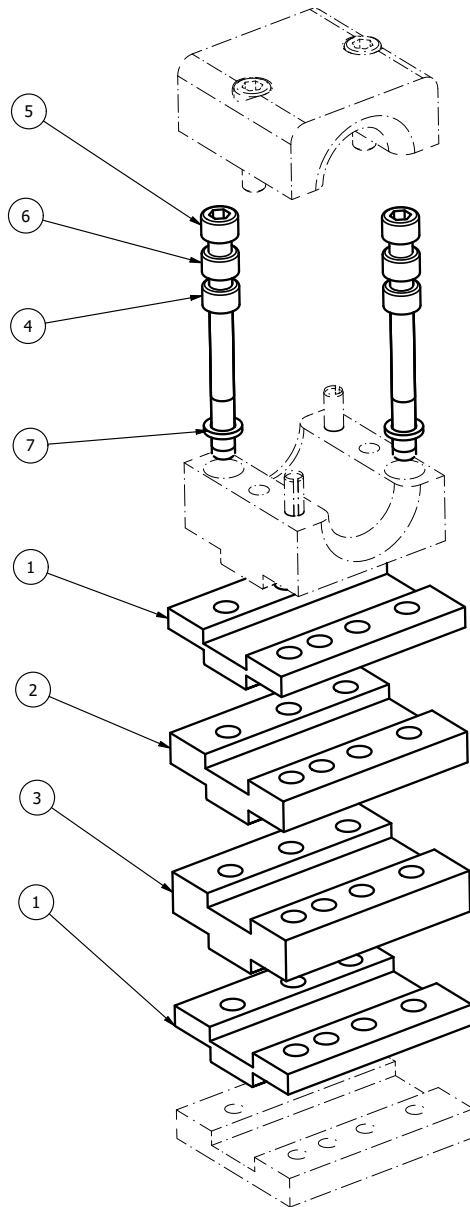


ITEM	PN#	NAME	QTY	UOM
1	OQ4124040	BASE HOSE HOLDER 1" 2 X 1/2"	1	EA
2	OQ4124039	UPPER HOSE HOLDER 1" 2 X 1/2"	1	EA
3	OQ7089026	SPRING PIPE STICK FRP 8X40 DIN 1481	2	EA
4	OQ7060110	SCREW MC6S 10X40	2	EA
5	OQ7072028	LOCK WASHER NORLOCK M10	4	EA
6	OQ4119391	WELDING PLATE	1	EA
7	OQ7060099	SCREW MC6S 10X35	2	EA

2.0 - INSTALL COMPONENTS

2.1 - HOSE CLAMPS

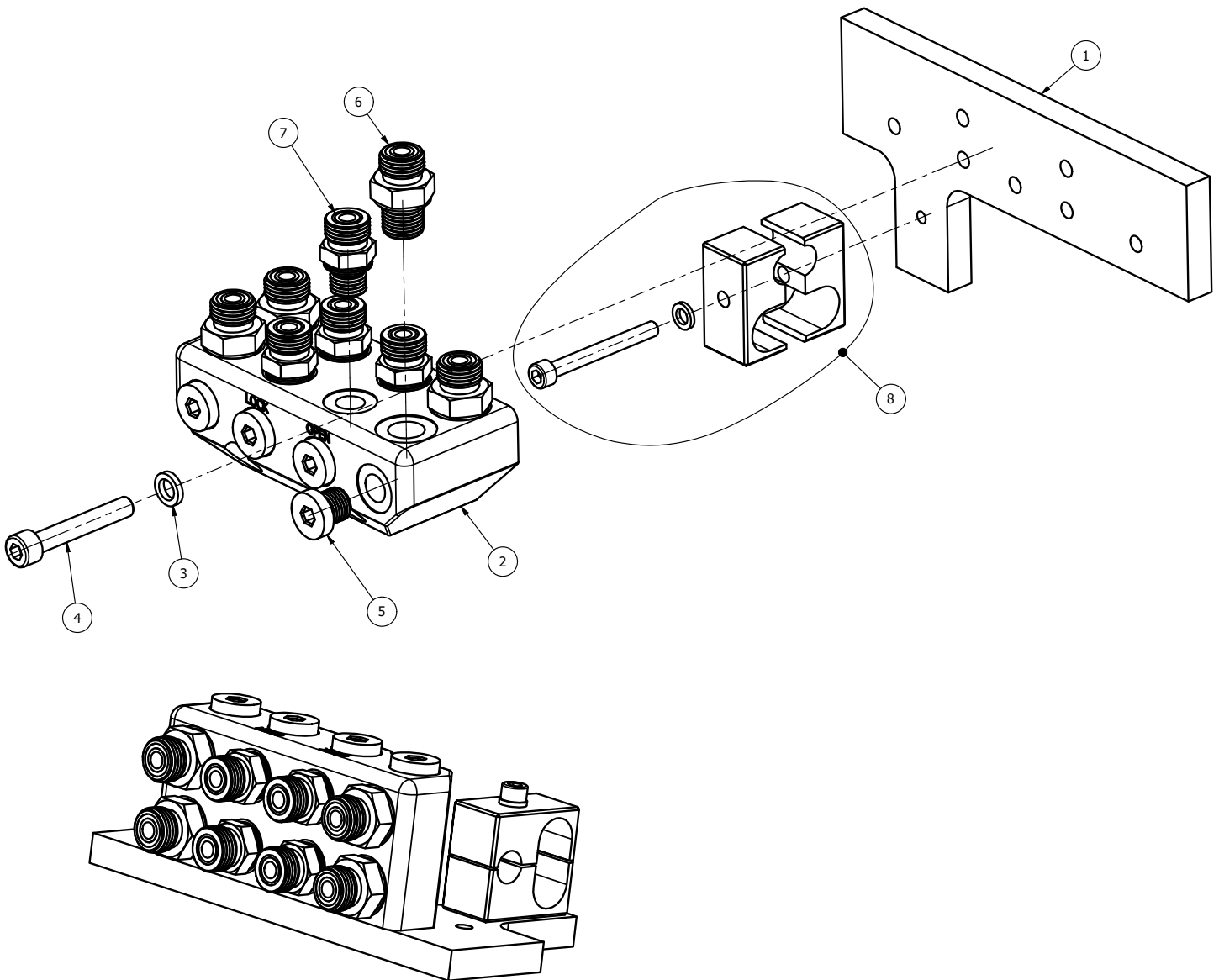
2.1.6 - OQ4119458 - HOSE CLAMP SPACER KIT



ITEM	PN#	NAME	QTY	UOM
1	OQ4119392	SPACER 10MM, HOSE CLAMP	2	EA
2	OQ4119393	SPACER 15MM, HOSE CLAMP	1	EA
3	OQ4119459	SPACER 20MM, HOSE CLAMP	1	EA
4	OQ7060146	SCREW MC6S M10x70 12,9	2	EA
5	OQ7060205	SCREW MC6S M10x80 12.9	2	EA
6	OQ7060177	SHCS MC6S M10-1.50 x90 12.9	2	EA
7	50-00682	WASHER NORDLOCK M10 - 16.6 X 2.5 1244	2	EA

2.0 - INSTALL COMPONENTS

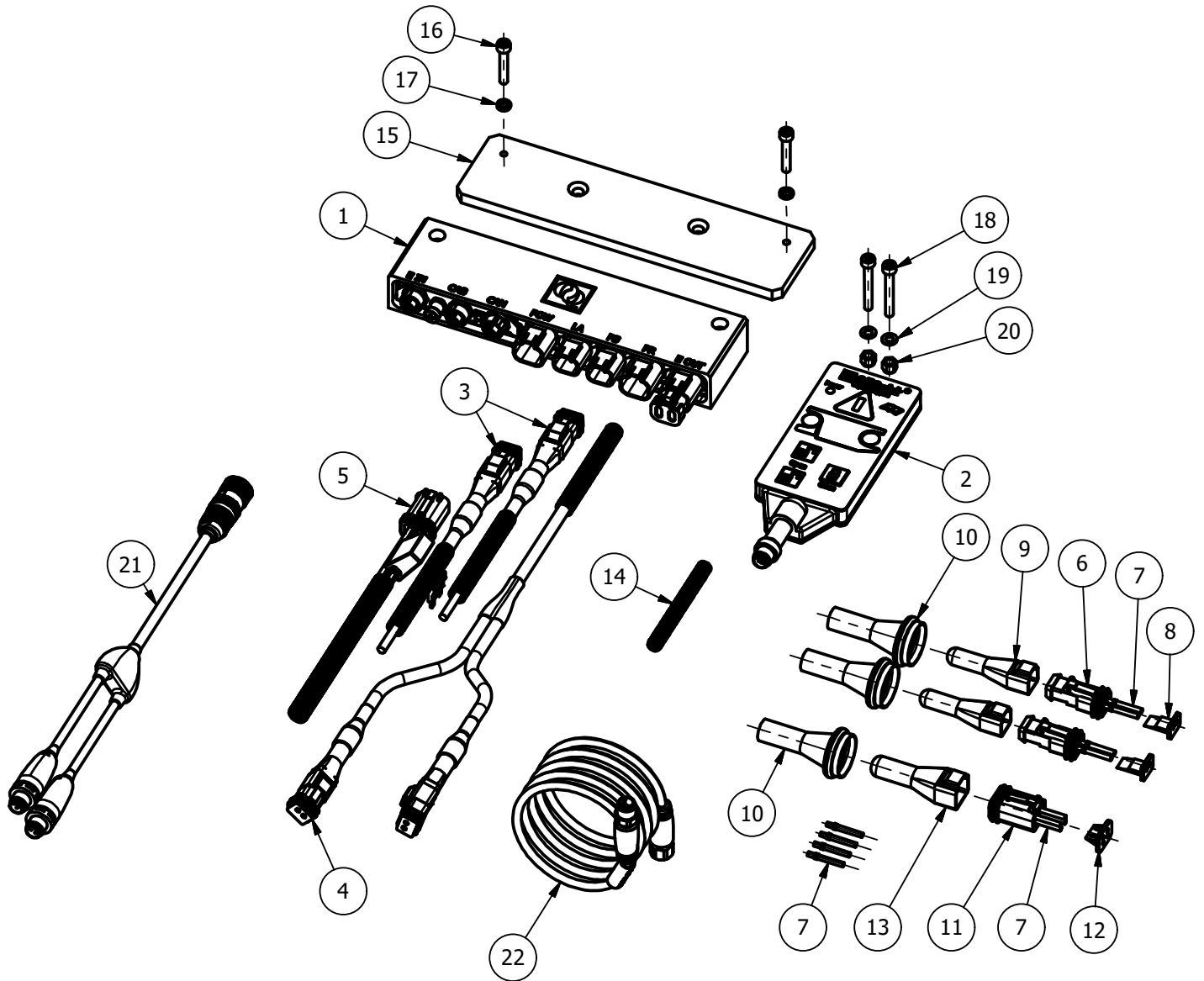
2.2 - OQ5113011 - GUIDE BLOCK MANIFOLD



ITEM	PN#	NAME	QTY	UOM
1	OQ4115481	BRACKET, LOCKING CIRCUIT	1	EA
2	OQ4120313	HYDR.BLOCK, LOCK- & 1/2" FUNCTIONS	1	EA
3	50-00773	WASHER NORDLOCK M8 - 13.5 X 2.5 1231	2	EA
4	OQ7060056	SCREW MC6S M8 - 1.25 x 80 12.9	2	EA
5	OQ7200283	FTG-HYD 04MBSPP PLUG SEAL E	4	EA
6	OQ7200249	NIPPLE ORFS08 UF-M16x1,5 UF	4	EA
7	OQ7200213	NIPPLE ORFS06 UF-M14x1,5 UF	4	EA
8	OQ5180161	CABLE CLAMP KIT - 13MM + 2X18MM	1	EA

3.0 - LOCK SUPPORT

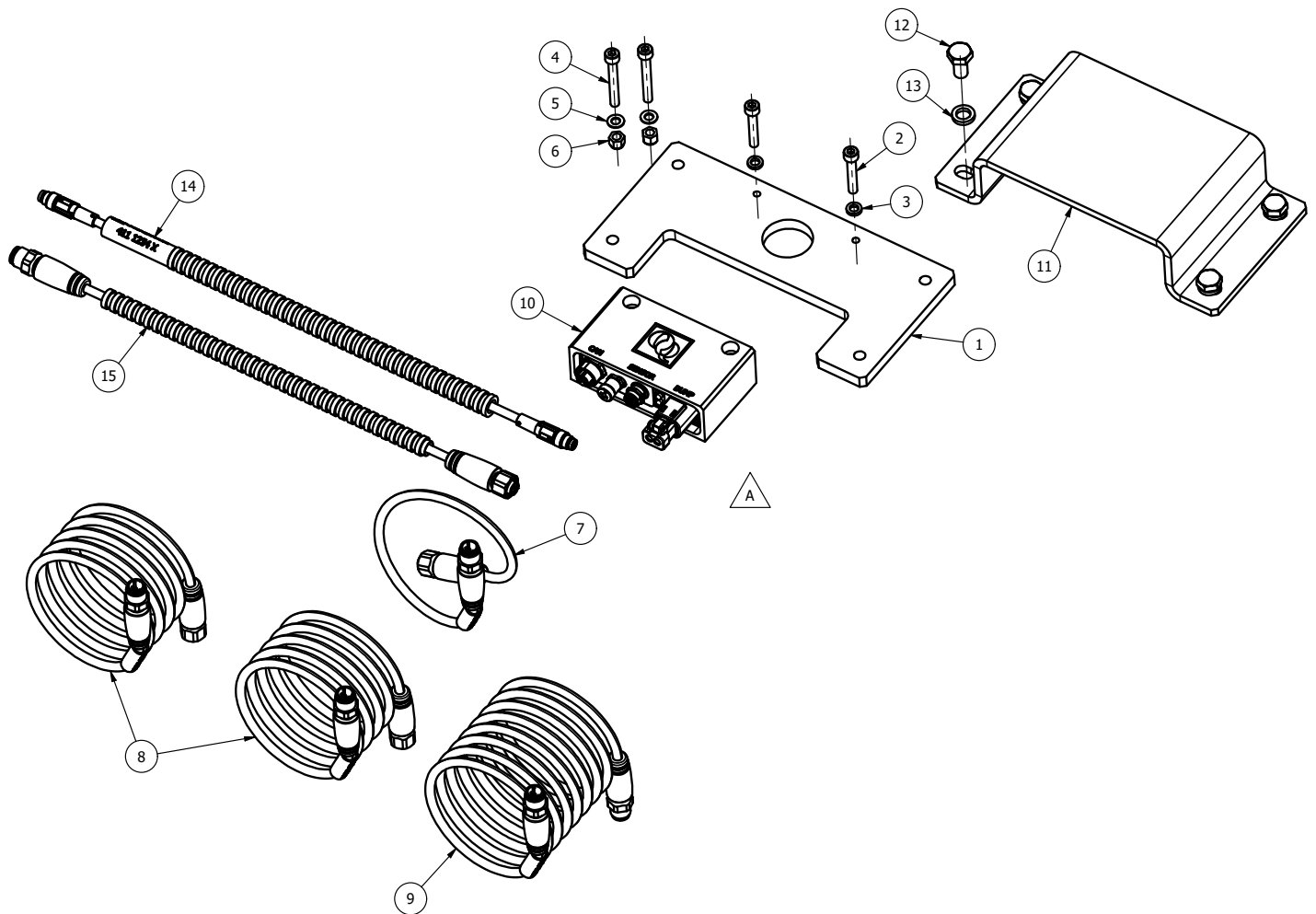
3.1 - OQ5190261 - OQLS 2.0 INSTALLATION KIT



ITEM	PN#	NAME	QTY	UOM
1	OQ4131663	MASTER UNIT - OQLS 2.0 (SINGLE PRESS)	1	EA
2	OQ4126332	OQLS CABIN PANEL GEN 2 (NEW)	1	EA
3	OQ4121394	CABLE SET OQLS (PB/LOCK/PRESSURE)	2	EA
4	OQ4121393	CABLE DEPRESSURIZATION VALVE OQ80	1	EA
5	OQ4123140	CABLE POWER OQLS OQ, TLE	1	EA
6	30-00428	CONNECTOR PLUG DT06-2S-P012	2	EA
7	30-00348	CONNECTOR DEUTSCH SOCKET #16-14	12	EA
8	30-00337	CONNECTOR WEDGE W2S	2	EA
9	OQ7034133	PROTECTIVE HOOD DT2S-BT	2	EA
10	30-00697	1" X 48" BLK ADHESIVE LINED HEAT SHRINK	3	EA
11	30-00332	CONNECTOR PLUG DT06-4S	1	EA
12	30-00338	CONNECTOR WEDGE W4S	2	EA
13	OQ7034131	PROTECTIVE HOOD DT4S-BT	1	EA
14	OQ7034140	SPLIT LOOM	1	EA
15	OQ4124026	MOUNTING PLATE - MASTER UNIT	1	EA
16	OQ7060153	SCREW MC6S M5x30 12.9	2	EA
17	OQ7072033	WASHER NORDLOCK M5 - 9.0 X 1.8	2	EA
18	50-01095	SH CS M5 - 0.8 X 40 Z_12.9	2	EA
19	50-00422	WASHER M5 - 10.0 X 1.0 Z_H	2	EA
20	50-01096	NUT NYLOCK M5 - 0.8 Z_	2	EA
21	OQ7033002	CABLE - OQLS PANEL 6M (19' 6" LG)	1	EA
22	OQ7033073	CABLE - EXTENSION, CAB =2,0M M-F	1	EA

3.0 - LOCK SUPPORT

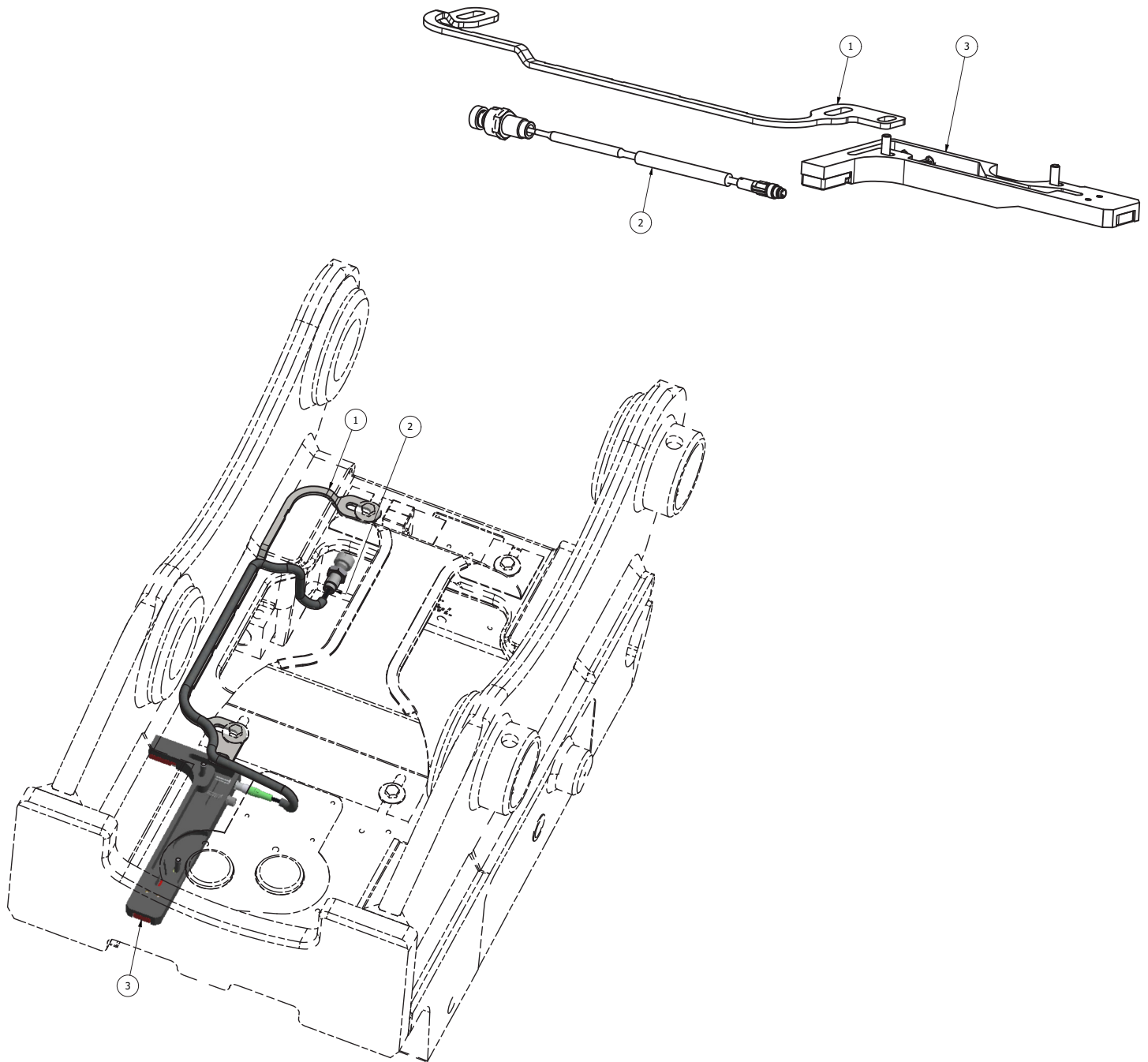
3.2 - OQ5190268 - STICK UNIT KIT OQLS 2.0 15MM



ITEM	PN#	NAME	QTY	UOM
1	OQ4130698	WELD PLATE - STICK UNIT OQLS 2.0	1	EA
2	OQ7060153	SCREW MC6S M5x30 12.9	2	EA
3	OQ7072033	WASHER NORDLOCK M5 - 9.0 X 1.8	2	EA
4	OQ7060100	SCREW MC6 M5x40	2	EA
5	OQ7072031	WASHER M5 - 10.0 Z	2	EA
6	OQ7065018	NUT M6M M5 NYLOCK	2	EA
7	OQ7033068	CABLE - OQLS EXTENSION, BOOM L=0,5M M-F	1	EA
8	OQ7033070	CABLE - EXTENSION, BOOM L=2,0M M-F	2	EA
9	OQ7033062	CABLE-OQCS/OQLS CANBUS M/M 15M (49'2")	1	EA
10	OQ4131384	STICK UNIT - OQLS 2.0	1	EA
11	OQ4130699	PROTECTION COVER - STICK UNIT OQLS 2.0	1	EA
12	OQ7060004	SCREW M6S M8 - 1.25 x 16 8.8 FZB	4	EA
13	OQ7072021	WASHER NORDLOCK M8	4	EA
14	OQ5190231	CABLE - SENSOR OQLS 2.0 3M	1	EA
15	OQ7033095	EXTENSION CABLE - OQLS 2.0 1M M/F M8	1	EA

3.0 - LOCK SUPPORT

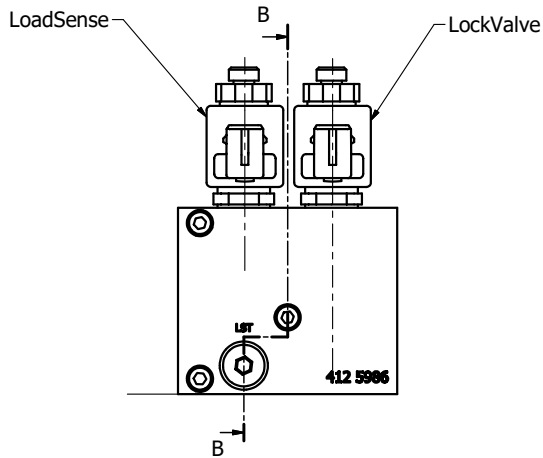
3.3 - OQ5190339 - OQ70 OQLS 2.0 SENSOR KIT



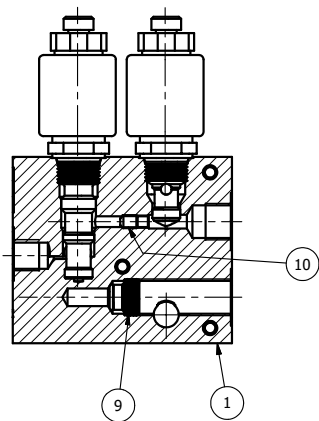
ITEM	PN#	NAME	QTY	UOM
1	OQ4133134	MOUNTING PLATE OQLS 2.0 OQ70	1	EA
2	OQ5190250	FRONT SENSOR OQLS 2.0 OQ65, OQRAIL, OQ70	1	EA
3	OQ4131095	REAR SENSOR OQLS 2.0 OQ70, OQ70/55	1	EA

3.0 - LOCK SUPPORT

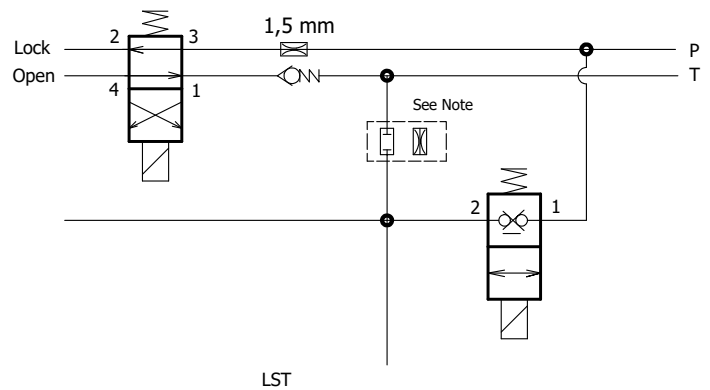
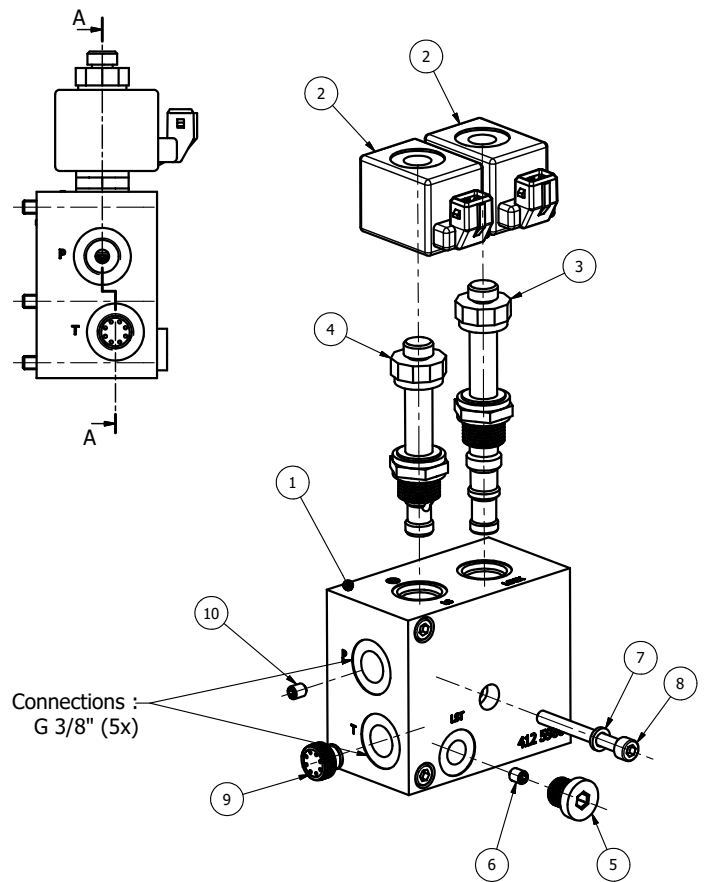
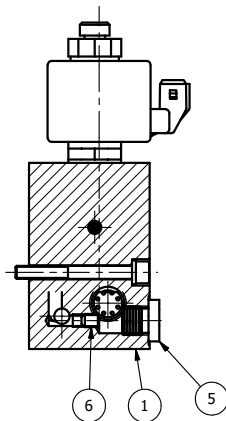
3.4 - OQ4120613 - LOCK VALVE



A-A



B-B



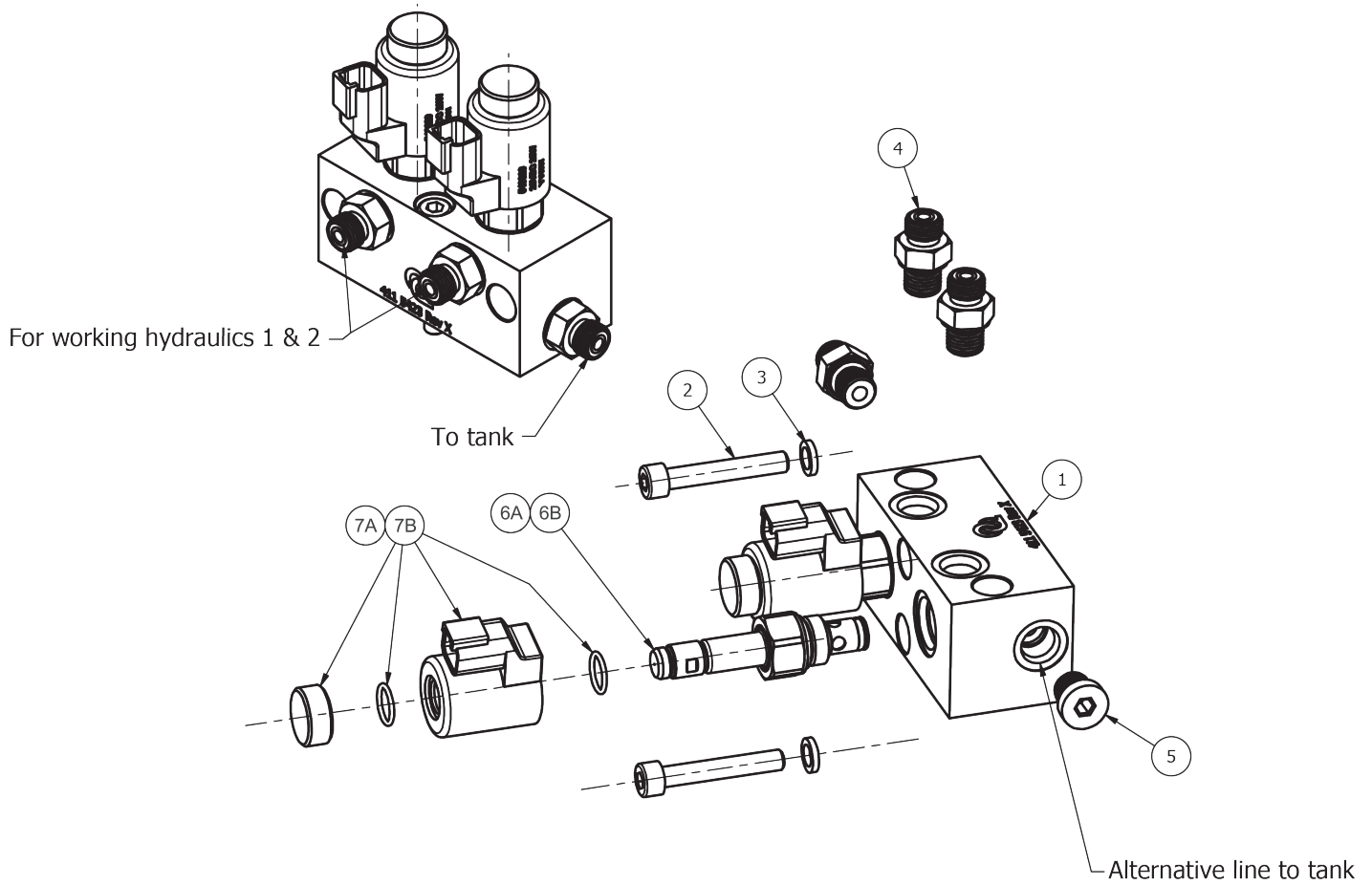
Via the plug LST, the stop screw can be removed and replaced with an M6 throttle. This may be necessary for the LS signal to function correctly.

Hydraulic components Cleanliness requirements according to OQ 600 0109

ITEM	PN#	NAME	QTY	UOM
1	OQ4125986	LOCK - POWERBOOST VALVE BLOCK	1	EA
2	OQ7005057	SOLENOID 24V LOCK-POWER BOOST VALVE	2	EA
3	OQ7005053	VALVE CARTRIDGE 6/2 (LOCKING SIDE)	1	EA
4	OQ7005054	VALVE CARTRIDGE 2/2 (POWERBOOST SIDE)	1	EA
5	OQ7200283	PLUG G1/4" ED	1	EA
6	OQ7060011	SCREW SK6SS M6x8	1	EA
7	50-00905	WASHER NORDLOCK M6 - 10.8 X 1.8 1519	3	EA
8	OQ7060076	SCREW MC6S M6x55 12.9	3	EA
9	OQ7009024	LOCK - POWER BOOST CHECK VALVE	1	EA
10	OQ4125987	M6 ORIFICE (1.5MM)	1	EA

3.0 - LOCK SUPPORT

3.5 - OQ4123124 - DEPRESSURIZATION VALVE



ITEM	PN#	NAME	QTY	UOM
1	OQ4115423	HYDRAULIC BLOCK, DEPRESSURIZING KIT	1	EA
2	OQ7060056	SCREW MC6S M8 - 1.25 x 80 12.9	2	EA
3	OQ7072021	WASHER NORDLOCK M8	2	EA
4	OQ7200207	NIPPLE ORFS04 UF-M14x1.5 UF	3	EA
5	OQ7200214	PLUG M14x1,5	2	EA
6A	OQ7005082	VALVE CARTRIDGE 2/2	2	EA
6B	OQ7005069	VALVE CARTRIDGE 2/2 PRV PARKER	2	EA
7A	OQ7005083	SOLENOID 28V, DT, DEPRESSURIZING (ROUND)	2	EA
7B	OQ7005070	SOLENOID 28V, DT, DEPRESSURIZING (SQUARE)	2	EA

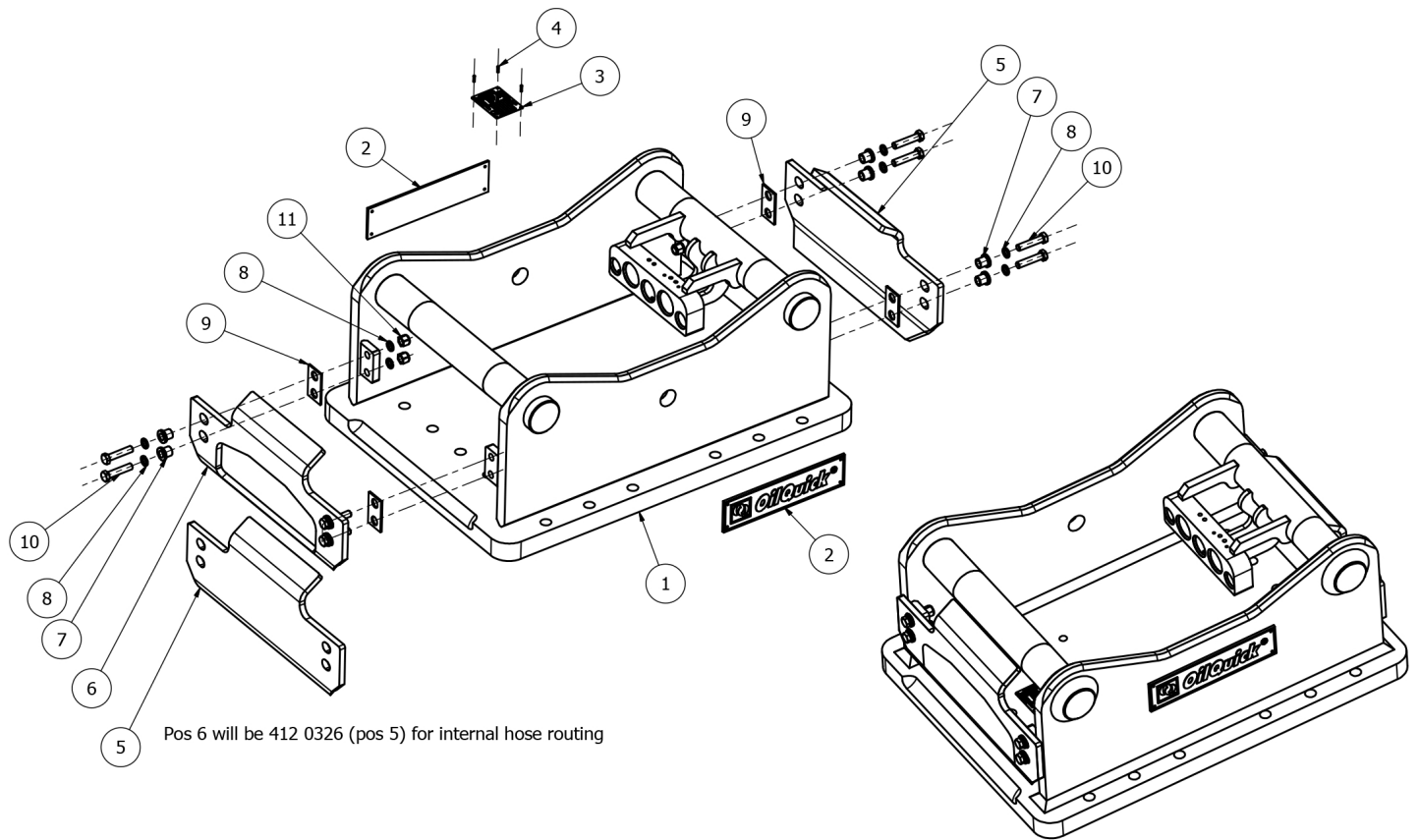
3.0 - LOCK SUPPORT

3.6 - OQ5116281 - FIRST AID KIT OQ70

ITEM	PN#	NAME	QTY	UOM
1	OQ7020130	NOSE SEAL 1/2"	4	EA
2	OQ7020131	NOSE SEAL 3/4"	4	EA
3	OQ7020132	NOSE SEAL 1"	4	EA
4	OQ4112220	PUSHER 1/2"	1	EA
5	OQ4112221	PUSHER 3/4"	1	EA
6	OQ4112222	PUSHER 1"	1	EA
7	OQ4116298	MOUNTING TOOL 1/2"	1	EA
8	OQ4116296	MOUNTING TOOL 3/4"	1	EA
9	OQ4116295	MOUNTING TOOL 1"	1	EA
10	OQ7410094	DECAL FIRST AID KIT	1	EA
11	OQ7406065	FIRST AID KIT BOX	1	EA

4.0 - ATTACHMENT FRAME

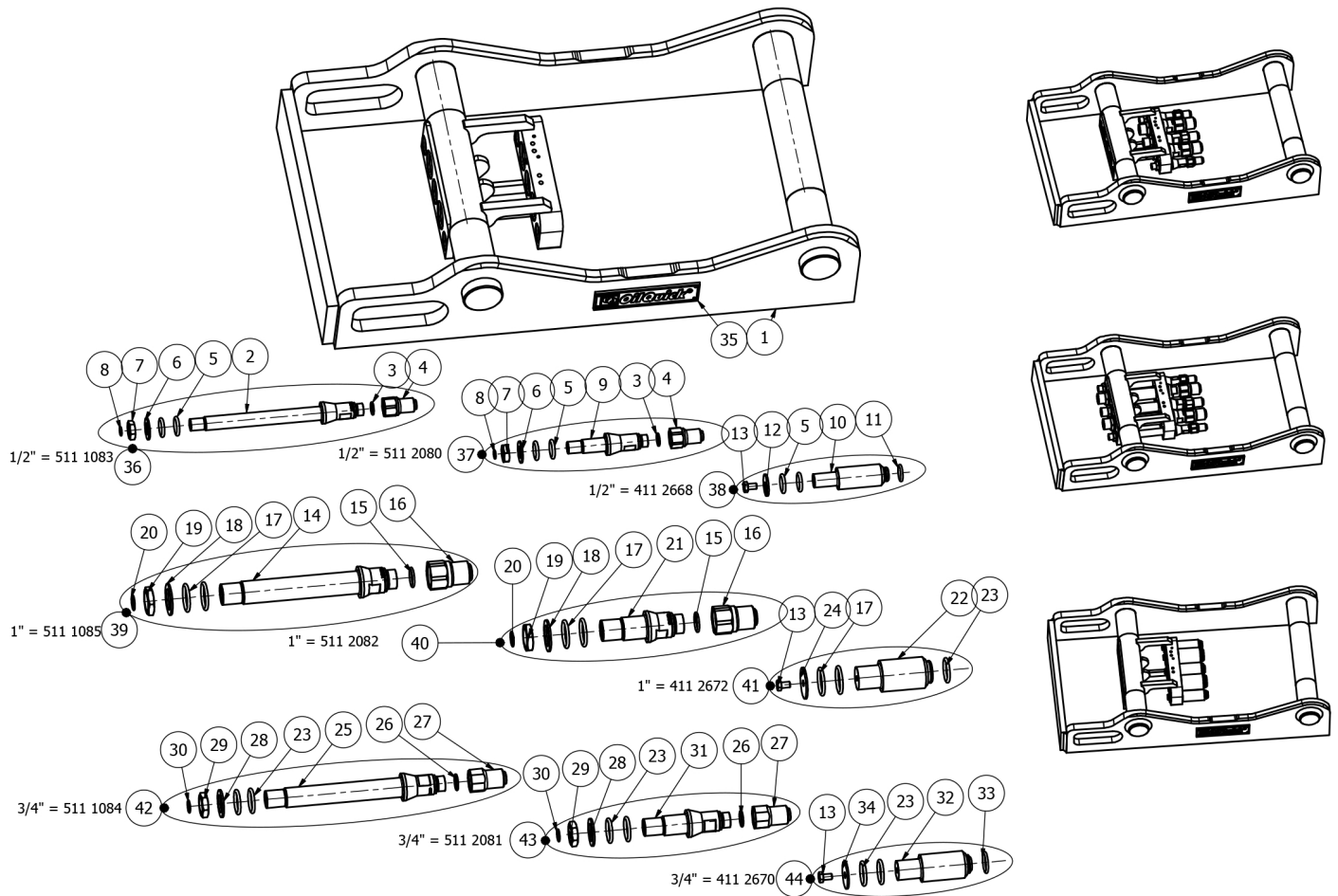
4.1 - OQ4120601 - D-FRAME



ITEM	PN#	NAME	QTY	UOM
1	OQ411XXXX	ATTACHMENT BRACKET	1	EA
2	OQ4116271	EMBLEM - OILQUICK - OQ70-OQ120	2	EA
3	OQ4118161	OILQUICK IDENTIFICATION PLATE	1	EA
4	OQ7093007	POP RIVET A 3,2x12,5	4	EA
5	OQ4120326	PROTECTION PLATE, OQ70 TOOL ADAPTER	2	EA
6	OQ4120327	PROTECTION PLATE, OQ70 TOOL ADAPTER	1	EA
7	OQ4120324	SLEEVE - PROTECTION PLATE TOOL ADAPT	8	EA
8	OQ7072007	WASHER NORDLOCK M12-19.5 X 2.5 1262	16	EA
9	OQ4120567	RUBBER SPACER OQ60-70/55	4	EA
10	OQ7060217	HH CS M12 x 55 8.8_FZB	8	EA
11	OQ7065005	NUT- M12 NYLOCK	8	EA

4.0 - ATTACHMENT FRAME

4.2 - OQ4113911 - C-FRAME

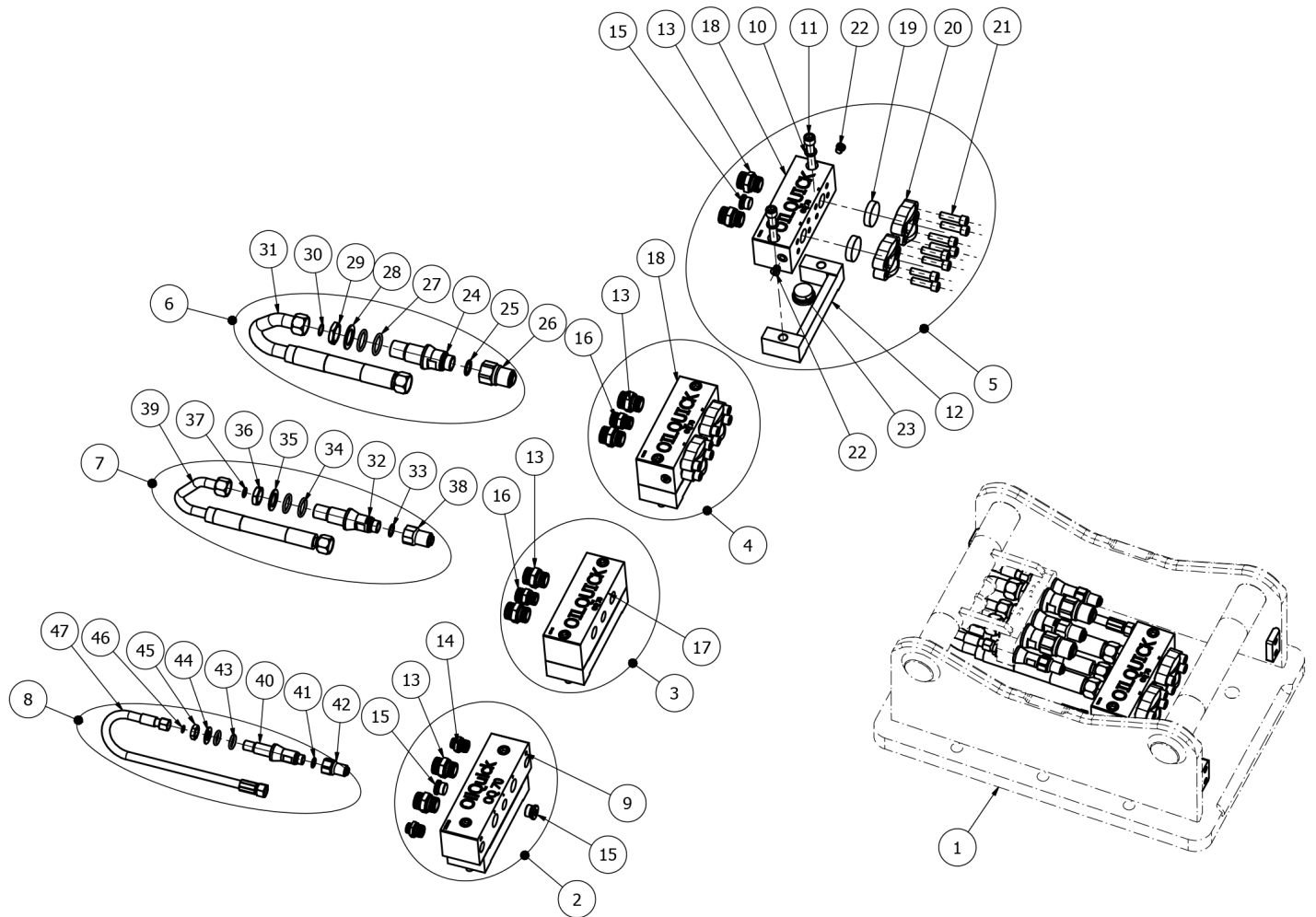


ITEM	PN#	NAME	QTY	UOM
1	OQ412XXXX	ATTACHMENT FRAME	1	EA
2	OQ4113918	BULKHEAD 1/2" LONG OQ70/55	2	EA
3	OQ7160048	O-RING 17,6x2,62 NBR70	2	EA
4	OQ7206017	HYDRAULIC COUPLING 1/2", MALE	2	EA
5	OQ7160042	O-RING 24x5 NBR70	4	EA
6	OQ4112316	WASHER 0.750 - 1.49 X 0.12 P	2	EA
7	40-00451	NUT 13/16"-16UN, T=9	2	EA
8	OQ7160045	O-RING-014 -08MO (12,42x1,78) NBR 90D	2	EA
9	OQ4113605	BULKHEAD 1/2" SHORT OQ70/55 OQ80	2	EA
10	OQ4112667	POLY ADAPTER 1/2"	2	EA
11	OQ7160031	RUBBER RING 22x4	2	EA
12	OQ4112660	WASHER 1/2"	2	EA
13	OQ7060118	SCREW	5	EA
14	OQ4113920	BULKHEAD 1" LONG OQ70/55	2	EA
15	OQ7160050	O-RING 28,17x3,52 NBR70	2	EA
16	OQ7206021	HYDRAULIC COUPLING 1", MALE	2	EA
17	OQ7160044	O-RING 40x5 NBR70	4	EA
18	OQ4112314	WASHER 1.375 - 2.16 X 0.12 P	2	EA
19	40-00499	NUT 1 7/16"-12UN, T=10,5	2	EA
20	OQ7160047	O-RING-021 -16MO (23,52x1,78) NBR 90D	2	EA
21	OQ4113607	BULKHEAD 1" SHORT OQ70/55 OQ80	2	EA
22	OQ4112671	POLY ADAPTER 1"	2	EA
23	OQ7160043	O-RING 34x5 NBR 70	4	EA
24	OQ4112658	WASHER 1"	2	EA
25	OQ4113919	BULKHEAD 3/4" LONG OQ70/55	1	EA
26	OQ7160049	O-RING 23,47x2,62 NBR70	2	EA
27	OQ7206019	HYDRAULIC COUPLING 3/4", MALE	1	EA
28	OQ4112315	WASHER 1.188 - 1.88 X 0.12 P	1	EA
29	40-00500	NUT 1 3/16"-12UN, T=10,5	1	EA
30	OQ7160046	O-RING-018 -12MO (18,77x1,78) NBR 90D	1	EA
31	OQ4113606	BULKHEAD 3/4" SHORT OQ70/55 OQ80	1	EA

ITEM	PN#	NAME	QTY	UOM
32	OQ4112669	POLY ADAPTER 1/2"	1	EA
33	OQ7160032	RUBBER RING 30x4	1	EA
34	OQ4112659	WASHER 3/4"	1	EA
35	OQ4116145	EMBLEM - OILQUICK - OQ45-OQ65	2	EA
36	OQ5111083	COUPLING KIT 1/2" LONG OQ70/55	2	EA
37	OQ5112080	COUPLING KIT 1/2" OQ70-90 NO BLOCK	2	EA
38	OQ4112668	POLY ADAPTER 1/2" OQ70-90	2	EA
39	OQ5111085	COUPLING KIT 1" LONG OQ70/55	2	EA
40	OQ5112082	COUPLING KIT 1" OQ70-90 NO BLOCK	2	EA
41	OQ4112672	POLY ADAPTER 1" OQ70-90	2	EA
42	OQ5111084	COUPLING KIT 3/4" LONG OQ70/55	1	EA
43	OQ5112081	COUPLING KIT 3/4" OQ70-90 NO BLOCK	1	EA
44	OQ4112670	POLY ADAPTER 3/4" OQ70-90	1	EA

4.0 - ATTACHMENT FRAME

4.3 - OQ4118852 - SPLIT BLOCKS

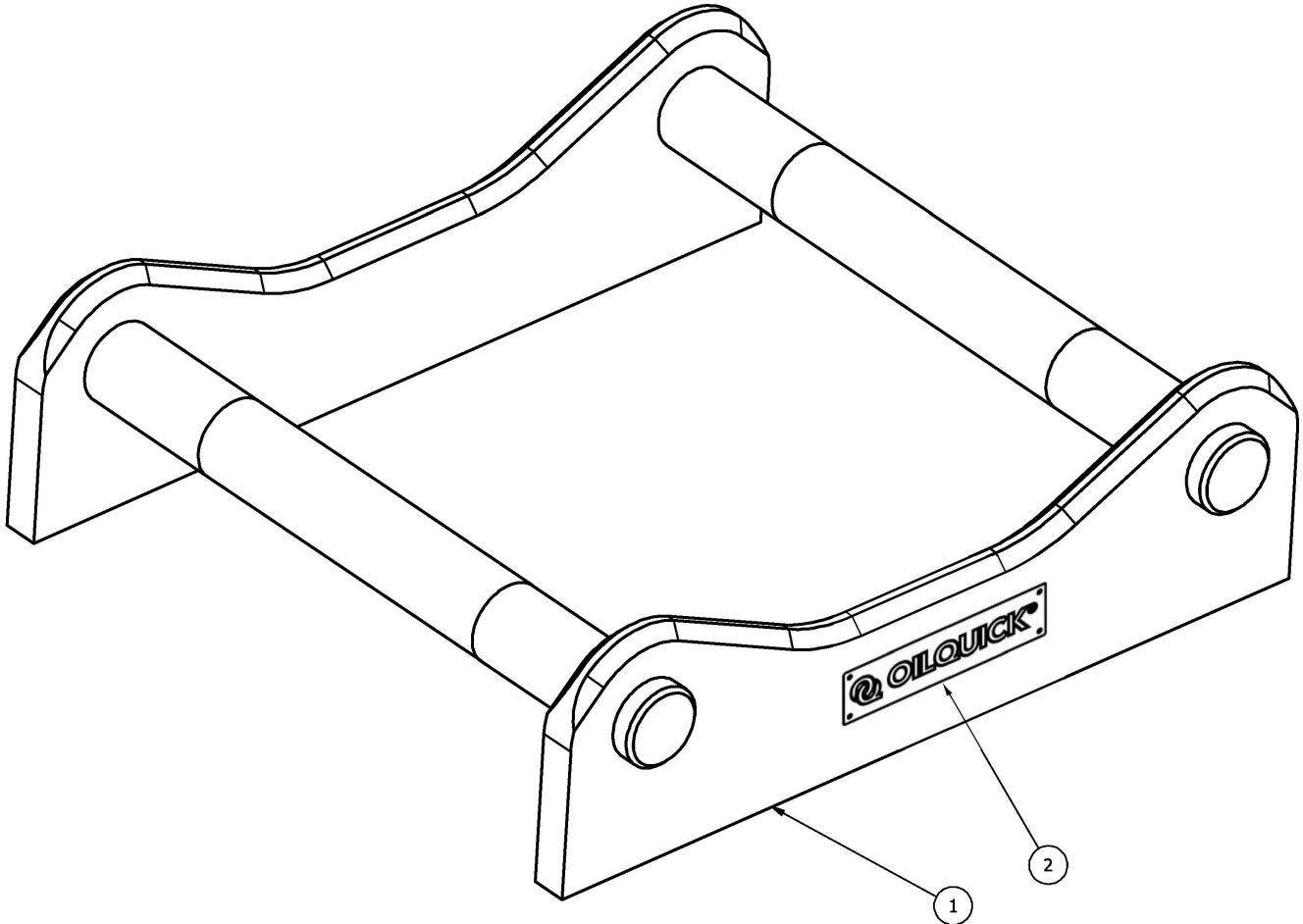


ITEM	PN#	NAME	QTY	UOM
1	OQ411XXXX	ATTACHMENT FRAME	1	EA
2	OQ5116084	HYDR. BLOCK KIT 2x1", 2x1/2", OQ70	2	EA
3	OQ5116083	HYDR. BLOCK KIT 2x1", 1x3/4", OQ70	2	EA
4	OQ5116082	HYDR. COUPLING 2x1", 1x3/4" SPLIT	2	EA
5	OQ5116081	HYDR. BLOCK KIT 2x1" split, OQ70	4	EA
6	OQ5111108	COUPLING KIT 1" OQ70-80 BLOCK	2	EA
7	OQ5111107	COUPLING KIT 3/4" OQ70-80 BLOCK	2	EA
8	OQ5111106	COUPLING KIT 1/2" OQ70-90 BLOCK	2	EA
9	OQ7200285	HYDR. BLOCK 2x1", 1x3/4", 2x1/2"	2	EA
10	50-00734	NORDLKM16 - 25.4 X 3.3 1536	2	EA
11	50-00733	SCREW MC6S M16x140 8.8 FZB	2	EA
12	OQ4117947	SPACER, OQ70-80 TOOL ADAPTER	2	EA
13	OQ7200282	NIPPLE ORFS16 UF-G1" UF ED (40-02098)	5	EA
14	OQ7200280	NIPPLE 15L-G3/4" UF	2	EA
15	OQ7091010	PLUG G3/4" ED	2	EA
16	OQ7200281	NIPPLE ORFS12 UF-G3/4" UF ED	2	EA
17	OQ7200271	BLOCK	4	EA
18	OQ7200270	SPLITBLOCK	2	EA
19	OQ7207007	PLASTIC PLUG, SAE6 FLANGE 1 1/4"	2	EA
20	OQ7207006	SAE6 FLANGE 1 1/4"	2	EA
21	50-00167	SCREW MC6S M14x50 12.9	2	EA
22	OQ7200283	PLUG G1/4" ED	2	EA
23	OQ7200313	PLUG G1 1/4" ED	4	EA
24	OQ4113607	BULKHEAD 1" SHORT OQ70/55 OQ80	2	EA
25	OQ7160050	O-RING 28,17x3,52 NBR70	1	EA
26	OQ7206021	HYDRAULIC COUPLING 1", MALE	2	EA
27	OQ7160044	O-RING 40x5 NBR70	1	EA
28	OQ4112314	WASHER 1.375 - 2.16 X 0.12 P	1	EA
29	40-00499	NUT 1 7/16"-12UN, T=10,5	1	EA
30	OQ7160047	O-RING-021 -16MO (23,52x1,78) NBR 90D	1	EA
31	OQ7150213	HYDRAULIC HOSE/PIPE 1"	1	EA

ITEM	PN#	NAME	QTY	UOM
32	OQ4113606	BULKHEAD 3/4" SHORT OQ70/55 OQ80	1	EA
33	OQ7160049	O-RING 23,47x2,62 NBR70	1	EA
34	OQ7160043	O-RING 34x5 NBR 70	2	EA
35	OQ4112315	WASHER 1.188 - 1.88 X 0.12 P	1	EA
36	40-00500	NUT 1 3/16"-12UN, T=10,5	1	EA
37	OQ7160046	O-RING-018 -12MO (18,77x1,78) NBR 90D	1	EA
38	OQ7206019	HYDRAULIC COUPLING 3/4", MALE	1	EA
39	OQ7150214	HYDRAULIC HOSE/PIPE 3/4"	1	EA
40	OQ4113605	BULKHEAD 1/2" SHORT OQ70/55 OQ80	2	EA
41	OQ7160048	O-RING 17,6x2,62 NBR70	2	EA
42	OQ7206017	HYDRAULIC COUPLING 1/2", MALE	2	EA
43	OQ7160042	O-RING 24x5 NBR70	4	EA
44	OQ4112316	WASHER 0.750 - 1.49 X 0.12 P	2	EA
45	40-00501	NUT 13/16"-16UN, T=9	2	EA
46	OQ7160045	O-RING-014 -08MO (12,42x1,78) NBR 90D	2	EA
47	OQ7150215	HYDRAULIC HOSE 1/2" L=570	2	EA

4.0 - ATTACHMENT FRAME

4.4 - OQE05946 - MECHANICAL ATTACHMENT FRAME



ITEM	PN#	NAME	QTY	UOM
1	OQE05947	OQ70 - MECHANICAL ATTACHMENT FRAME	1	EA
2	OQ4116271	EMBLEM - OILQUICK - OQ70-OQ120	2	EA
3	OQE04831	INSTRUCTION MECHANICAL ATTACHMENT FRAME	1	EA

Dealer:



OilQuickAmericas
155 Main Street
Superior, WI 54880
Phone: 262.607.8425
Fax: 715.395.3703

E-mail: info@oilquickamericas.com
Web: www.oilquickamericas.com