

**Manufacturer:**

OilQuickAmericas  
155 Main Street  
Superior, WI 54880  
Phone: 262.607.8425  
Fax: 715.395.3703

E-mail: [info@oilquickamericas.com](mailto:info@oilquickamericas.com)  
Web: [www.oilquickamericas.com](http://www.oilquickamericas.com)

**When ordering spare parts:**

- Include the part number, description and desired quantities.
- Include your complete address.
- Specify how the parts are to be delivered.





# TABLE OF CONTENTS

## OQ65

### 1.0 - QUICK COUPLER

1.1 - OQ65 COUPLER .....	4
--------------------------	---

### 2.0 - INSTALL COMPONENTS

2.1 - HOSE CLAMPS .....	7
2.1.1 - OQ4119580 - HOSE CLAMP 3/4" .....	7
2.1.2 - OQ4119423 - HOSE CLAMP 1/2"+3/4" .....	8
2.1.3 - OQ4124041 - HOSE CLAMP 3/4"+2x1/2" .....	9
2.1.4 - OQ4119458 - SPACER KIT HOSE CLAMP 35/45/55MM .....	10
2.2 - OQE06347 - ASSY GUIDE BLOCK OQ65+ .....	12

### 3.0 - SERVICE COMPONENTS

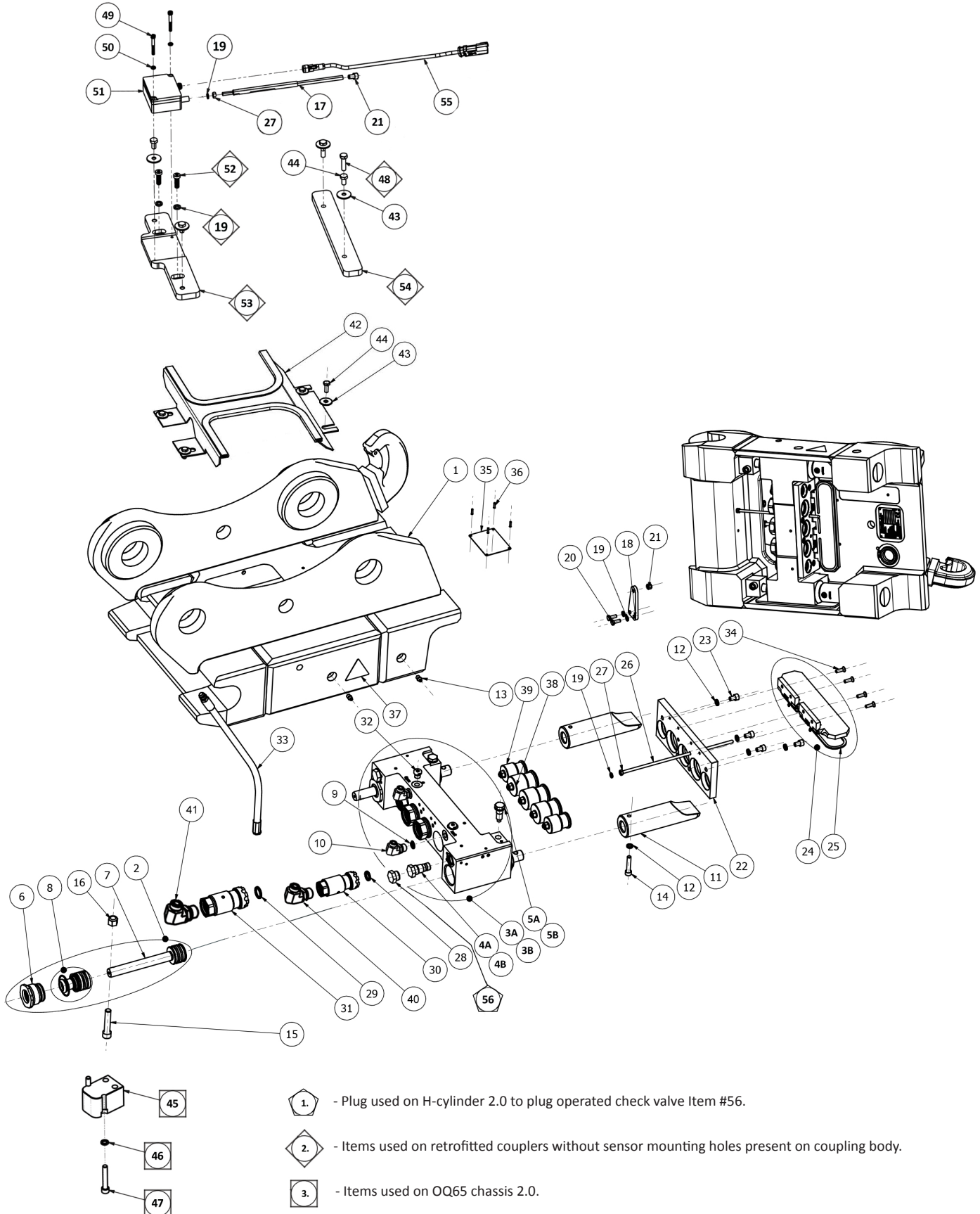
3.1 - OQE06347 - ASSEMBLY GUIDE BLOCK OQ65+ .....	13
---	----

### 4.0 - ATTACHMENT FRAMES

4.1 - OQ4120617 - D-FRAME .....	14
4.2 - OQ4116385 - C-FRAME .....	16
4.3 - OQ4122410 - SPLIT BLOCKS .....	18
4.4 - OQE05666 - OQ65 - MECHANICAL ATTACHMENT FRAME .....	20

# 1.0 - COUPLER

## 1.1 - OQ65 COUPLER



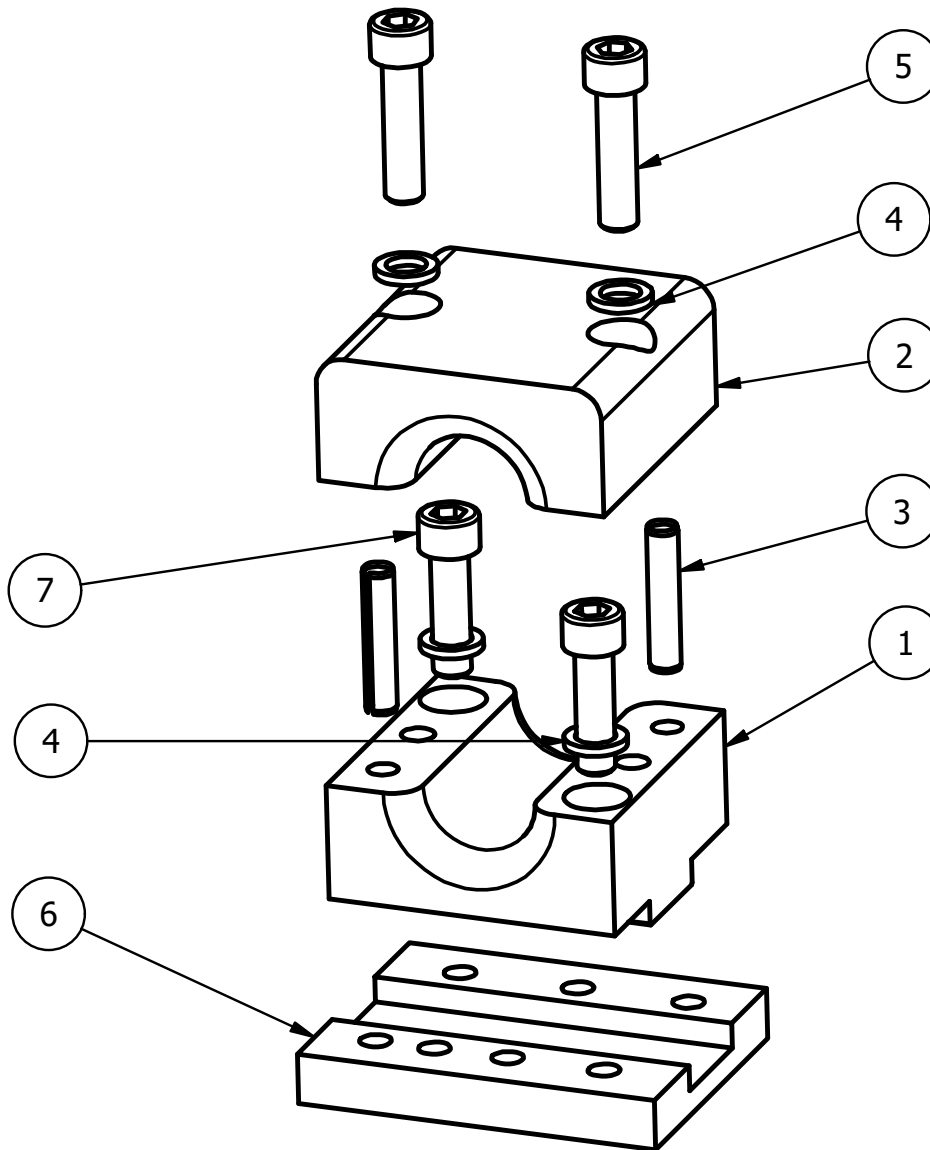
ITEM	PART#	NAME	QTY	UOM
1	OQ411xxxx	QUICK COUPLER BODY	1	EA
2	OQ4115583	KIT-PISTON ROD H-CYL. OQ65/OQC60	2	EA
3A	OQ4115585	H-CYLINDER OQ65	1	EA
3B	OQ4134918	H-CYLINDER 2.0 OQ65	1	IN
4A	OQ7009012	CHECK VALVE 4CK30-I-S3-A9	2	EA
4B	OQ7009001	PILOT OPERATED CHECK VALVE H-CYL 2.0	2	EA
5A	OQ7008004	PRESSURE RELIEF VALVE	2	EA
5B	OQ7008001	PRESSURE RELIEF VALVE H-CYL 2.0	2	EA
6	OQ4115582	GUIDE NUT, PISTON ROD OQ65/OQC60	2	EA
7	OQ4115581	PISTON ROD H-CYL. OQ65/OQC60	2	EA
8	OQ7020228	SEAL KIT H-CYL OQ65/OQC65	2	EA
9	OQ7200120	SEAL WASHER M12	2	EA
10	OQ7200210	ELBOW ORFS04 UF-M12x1,5 UF 90° ADJ	2	EA
11	OQ4114638	LOCKING PLUNGER OQ65	2	EA
12	50-00773	WASHER NORDLOCK M8	6	EA
13	OQ7205006	GREASE NIPPLE M8x1,25	4	EA
14	OQ7060103	SCREW MC6S M8 - 1.25 x 40	2	EA
15	OQ7060051	SCREW MC6S M12x60 12.9	2	EA
16	OQ7065005	NUT- M12 NYLOCK	2	EA
17	OQE05930	OQ65 E-VA ROD-187MM	1	EA
18	OQE06970	OQ65 SENSOR BRACKET	1	EA
19	50-00905	WASHER NORDLOCK M6 - 10.8 X 1.8 1519	3	EA
20	OQ7060082	SCREW M6S M6x14 8.8 FZB	2	EA
21	50-01346	FH CS M6 - 1.0 X 12 Z_8.8	1	EA
22	OQ4115781	GUIDE PLATE OQ65	1	EA
23	OQ7060101	SCREW MC6S M8 - 1.25 x 12	4	EA
24	OQ4114640	DIRT GUARD OQ65	1	EA
25	OQ4115211	RUBBER SEAL, DIRT GUARD	1	EA
26	OQ4114642	OPENING BAR OQ65	1	EA
27	50-00082	NUT M6 - 1.00 Z_8	2	EA
28	OQ7020130	NOSE SEAL 1/2"	2	EA
29	OQ7020131	NOSE SEAL 3/4"	3	EA
30	OQ4118550	HYDRAULIC COUPLING 1/2", M22 FEMALE	2	EA

ITEM	PART#	NAME	QTY	UOM
31	OQ4118524	HYDRAULIC COUPLING 3/4", M27 FEMALE	3	EA
32	OQ7200223	PLUG VSTI M12X1.5 ED	2	EA
33	OQE05739	DECAL - OQC65 SHOW BOOM	2	EA
34	OQ7060091	SCREW MF6S M6x20 10.9	4	IN
35	OQE04743	SERIAL TAG - OILQUICK AMERICAS	1	EA
36	OQ7093007	RIVET POP 3.2 x12.3 ALUMINUM	4	EA
37	OQ7410059	PINCH DECAL	2	EA
38	OQ4121134	POLY ADAPTER 3/4", H-CYLINDER	3	EA
39	OQ4121137	POLY ADAPTER 1/2", H-CYLINDER	2	EA
40	OQ7200227	ELBOW ORFS08 UF-M22X1,5 UF 90° ADJ	2	EA
41	OQ7200228	ELBOW ORFS12 UF-M27X2 UF 90° ADJ	3	EA
42	OQE06610	GUARD ASSY OQSS OQ65	1	EA
43	OQ7072029	WASHER FNDR M6 - 28.0 Z	4	EA
44	OQ7060082	SCREW M6S M6x14 8.8 FZB	4	EA
45	OQ4134192	CHASSIS 2.0 H-CYL MOUNT OQOQ65 (SEE NOTE 3)	2	EA
46	50-00682	WASHER NORDLOCK M10 (SEE NOTE 3)	4	EA
47	OQ7060190	SCREW MC6S M10x60 12.9 (SEE NOTE 3)	4	EA
48	50-00904	SH CS M6 - 1.00 X 25_Z 10.9 (SEE NOTE 2)	4	EA
49	50-01095	SH CS M5 - 0.8 X 40 Z_12.9	2	EA
50	OQ7072033	WASHER NORDLOCK M5 - 9.0 X 1.8	2	EA
51	OQ1800514	LOCK SENSOR E-VA	1	EA
52	50-00081	SH CS M6 - 1.00 X 20 Z_12.9 (SEE NOTE 2)	3	EA
53	OQE07011	OQSS RETRO MOUNT PLATE OQ65 (SEE NOTE 2)	1	EA
54	OQE06729	OQSS RETRO SPACER PLATE OQ60-5 (SEE NOTE 2)	1	EA
55	OQE07560	CABLE 8-POS FEMALE M12/PL 3M	1	EA
56	OQ7200224	PLUG VSTI M16x1,5 ED (SEE NOTE 1)	2	EA

## 2.0 - INSTALL COMPONENTS

### 2.1 - HOSE CLAMPS

#### 2.1.1 - OQ4119580 - HOSE CLAMP 3/4"

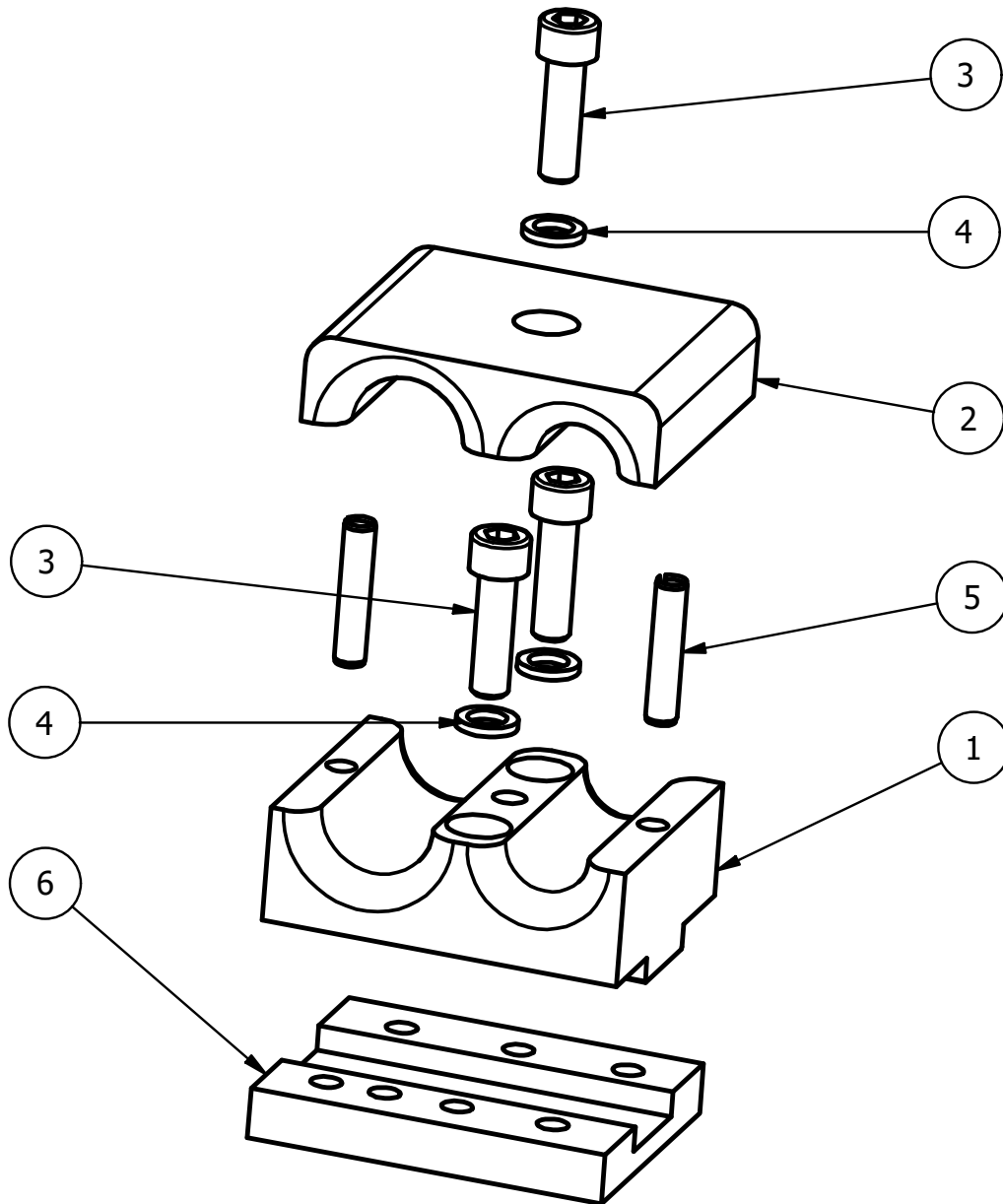


ITEM	PN#	NAME	QTY	UOM
1	OQ4119579	LOWER HOSE CLAMP 3/4"	1	EA
2	OQ4119578	UPPER HOSE CLAMP 3/4"	1	EA
3	OQ7089026	RESILIENT PIPE PIN FRP DIN 1481 8X40	2	EA
4	50-00682	WASHER NORDLOCK M10 - 16.6 X 2.5 1244	4	EA
5	OQ7060110	SCREW MC6S M10x40 12.9	2	EA
6	OQ4119391	WELD PLATE, HOSE CLAMP	1	EA
7	OQ7060099	SH CS M10 - 1.50 X 35 Z_8.8	2	EA

## 2.0 - INSTALL COMPONENTS

### 2.1 - HOSE CLAMPS

#### 2.1.2 - OQ4119423 - HOSE CLAMP 1/2"+3/4"

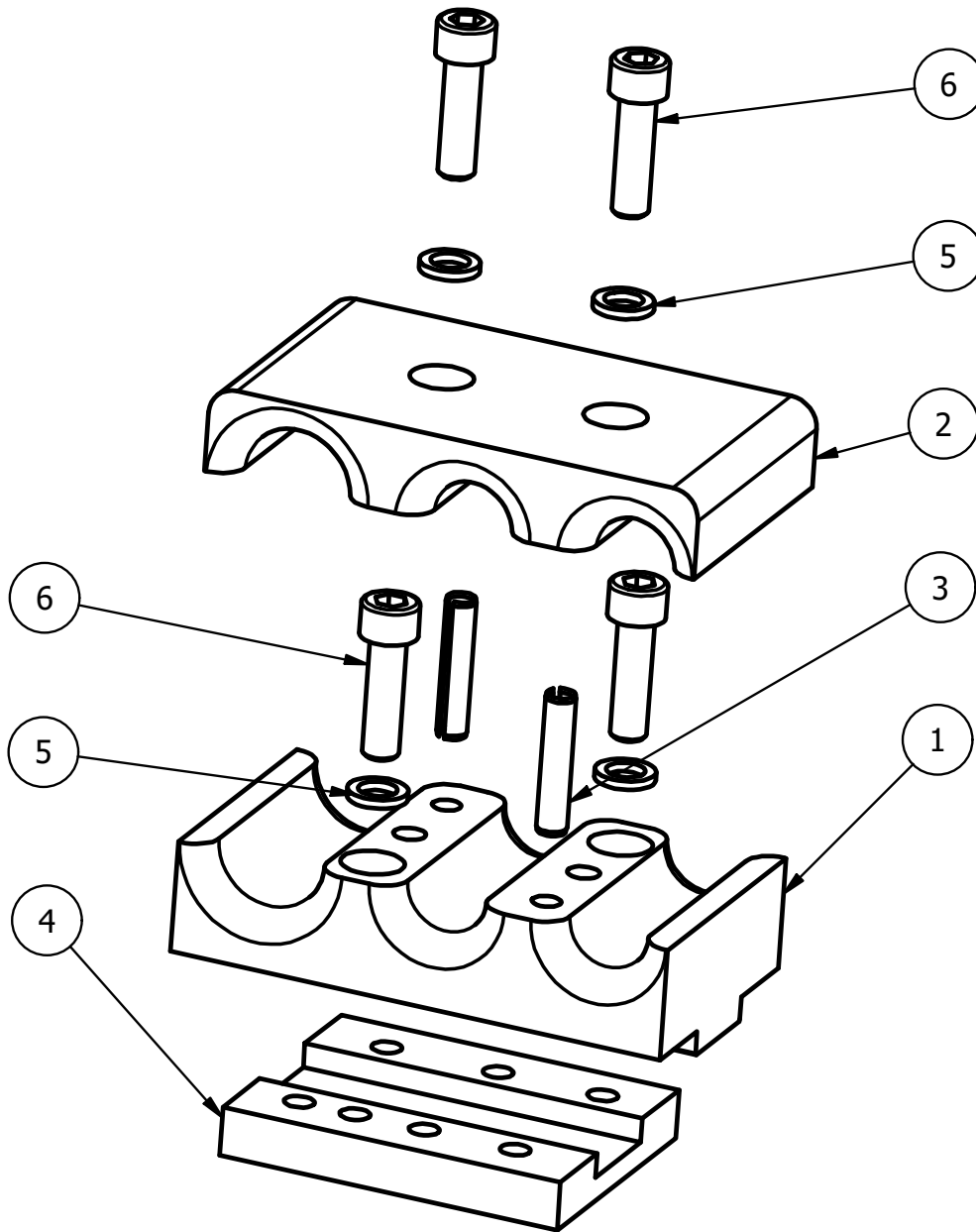


ITEM	PN#	NAME	QTY	UOM
1	OQ4119425	LOWER HOSE CLAMP 1/2" + 3/4"	1	EA
2	OQ4119424	UPPER HOSE CLAMP 1/2" + 3/4"	1	EA
3	OQ7060099	SCREW MC6S 10X35	3	EA
4	50-00682	WASHER NORDLOCK M10 - 16.6 X 2.5 1244	3	EA
5	OQ7089026	RESILIENT PIPE PIN FRP DIN 1481 8X40	2	EA
6	OQ4119391	WELDING PLATE	1	EA

## 2.0 - INSTALL COMPONENTS

### 2.1 - HOSE CLAMPS

#### 2.1.3 - OQ4124041 - HOSE CLAMP 3/4"+2x1/2"

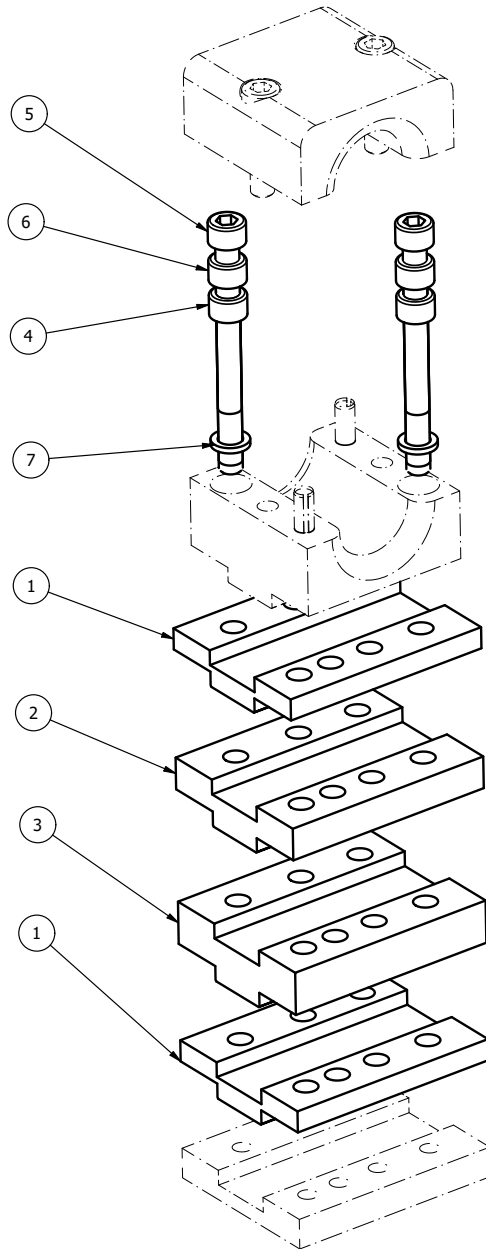


ITEM	PN#	NAME	QTY	UOM
1	OQ4124043	LOWER HOSE CLAMP 1/2" + 3/4"	1	EA
2	OQ4124042	UPPER HOSE CLAMP 1/2" + 3/4"	1	EA
3	OQ7089026	RESILIENT PIPE PIN FRP DIN 1481 8X40	2	EA
4	OQ4119391	WELDING PLATE, HOSE CLAMP	1	EA
5	50-00682	WASHER NORDLOCK M10 - 16.6 X 2.5 1244	4	EA
6	OQ7060099	SCREW MC6S 10X35	4	EA

## 2.0 - INSTALL COMPONENTS

### 2.1 - HOSE CLAMPS

#### 2.1.4 - OQ4119458 - SPACER KIT HOSE CLAMP 35/45/55MM

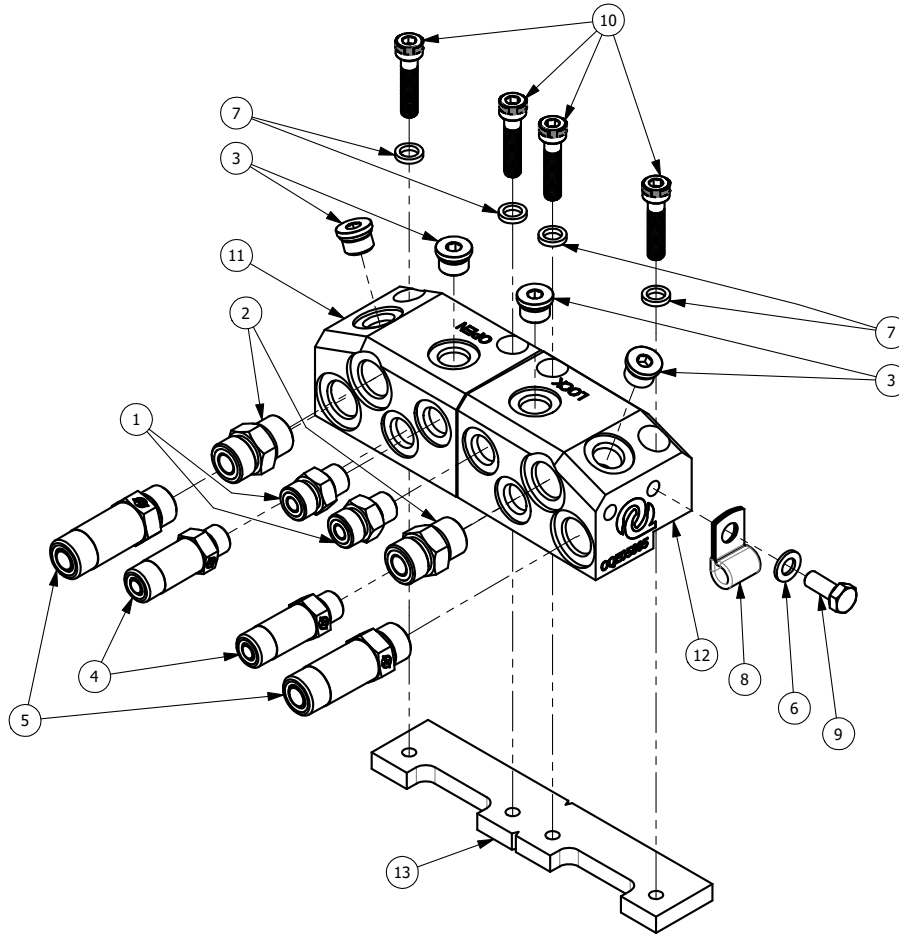


ITEM	PN#	NAME	QTY	UOM
1	OQ4119392	SPACER 10MM, HOSE CLAMP	2	EA
2	OQ4119393	SPACER 15MM, HOSE CLAMP	1	EA
3	OQ4119459	SPACER 20MM, HOSE CLAMP	1	EA
4	OQ7060146	SCREW MC6S M10x70 12,9	2	EA
5	OQ7060205	SCREW MC6S M10x80 12.9	2	EA
6	OQ7060177	SHCS MC6S M10-1.50 x90 12.9	2	EA
7	50-00682	WASHER NORDLOCK M10 - 16.6 X 2.5 1244	2	EA



## 2.0 - INSTALL COMPONENTS

### 2.2 - OQE06347 - ASSEMBLY GUIDE BLOCK OQ65+



ITEM	PART#	NAME	QTY	UOM
1	40-00088	FTG-HYD 06MB-06MO	2	EA
2	40-00314	FTG-HYD 08MB-08MO	2	EA
3	40-02866	FTG-HYD 06MB PLUG HOLLOW HEX	4	EA
4	40-03032	FTG-HYD 06MB-06MO-L	2	IN
5	40-03033	FTG-HYD 08MB-08MO-L	2	EA
6	50-00493	WASHER M8 - 16.0 X 1.6 Z	1	EA
7	50-00773	WASHER NORDLOCK M8 - 13.5 X 2.5 1231	4	EA
8	50-00872	P-CLIP M10 3/8" DIA X 3/4" W	1	EA
9	50-00931	HH CS M8-1.00 X 20 Z_8.8	1	EA
10	OQ7060078	SCREW MC6S M8 - 1.25 x 35 Z_12.9	4	EA
11	OQE05804	GUIDE BLOCK OQ65+ SPLIT-CAB	1	EA
12	OQE05805	GUIDE BLOCK OQ65+ SPLIT-TANK	1	EA
13	OQE05806	GUIDE BLOCK PLATE OQ65+	1	EA

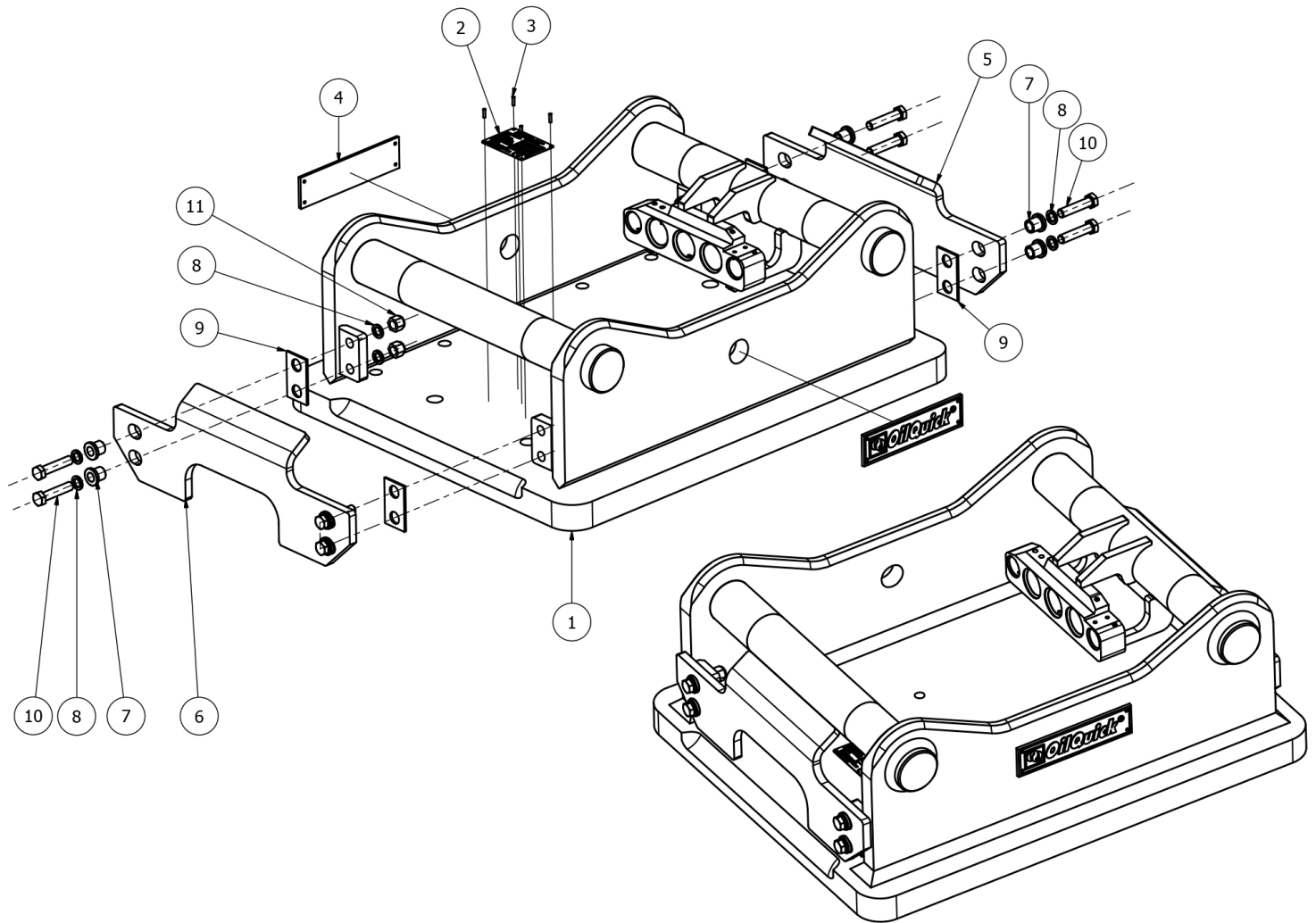
### 3.0 - SERVICE COMPONENTS

#### 3.1 - OQ5110981 - FIRST AID KIT OQ60 OQ65 OQL310 OQL410

ITEM	PN#	NAME	QTY	UOM
1	OQ7020130	NOSE SEAL 1/2"	4	EA
2	OQ7020131	NOSE SEAL 3/4"	4	EA
3	OQ4112220	PUSHER 1/2"	1	EA
4	OQ4112221	PUSHER 3/4"	1	EA
5	OQ4116298	MOUNTING TOOL 1/2"	1	EA
6	OQ4116296	MOUNTING TOOL 3/4"	1	EA
7	OQ7410094	DECAL FIRST AID KIT	1	EA
8	OQ7406065	FIRST AID KIT BOX	1	EA

## 4.0 - ATTACHMENT FRAME

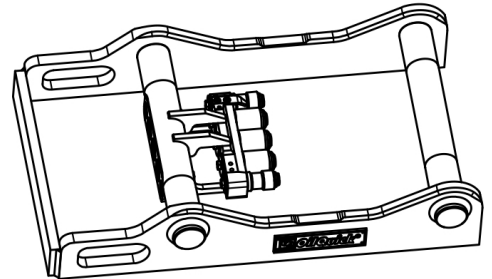
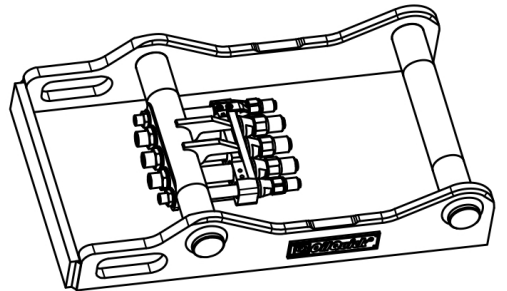
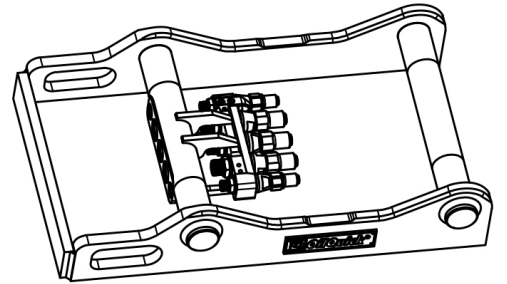
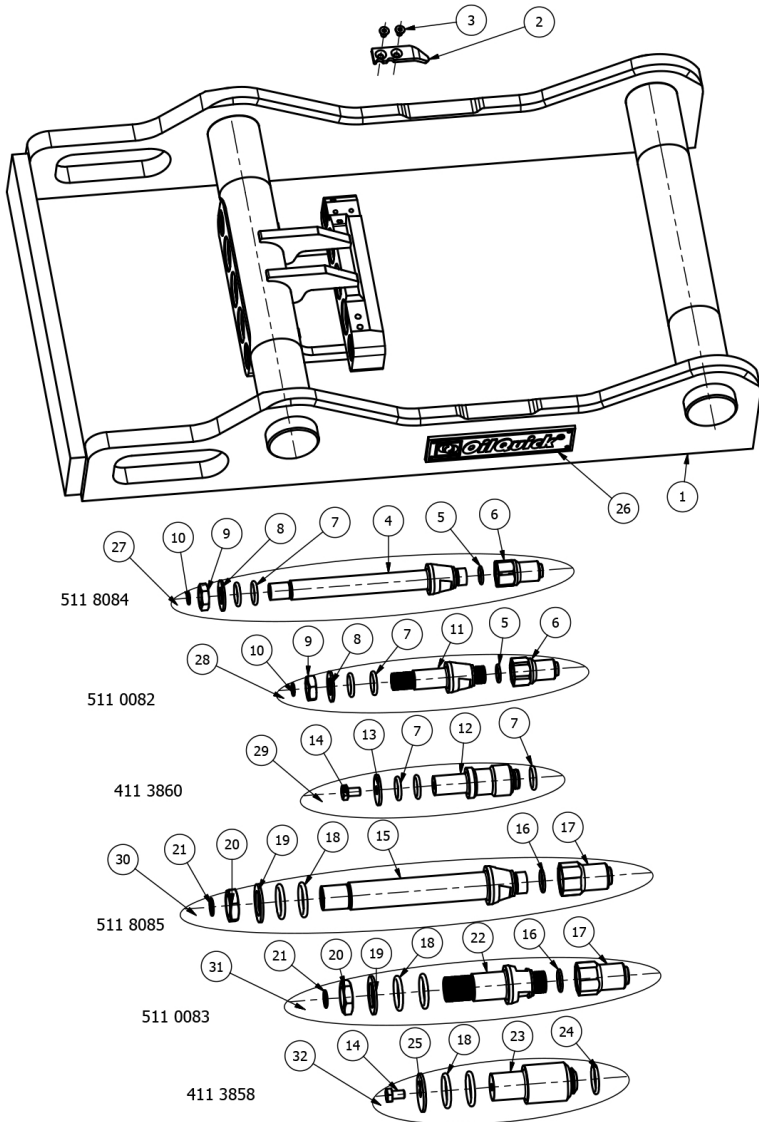
### 4.1 - OQ4120617 - D-FRAME



ITEM	PN#	NAME	QTY	UOM
1	OQ412xxxx	ATTACHMENT FRAME	1	EA
2	OQE04743	SERIAL TAG - OILQUICK AMERICAS	1	EA
3	OQ7093007	RIVET POP 3.2 x12.3 ALUMINUM	4	EA
4	OQ4116145	EMBLEM - OILQUICK - OQ45-OQ65	2	EA
5	OQ4120345	PROTECTION PLATE - OQ65 SOLID	1	EA
6	OQ4120344	PROTECTION PLATE - OQ65 CUTOUT	1	EA
7	OQ4120324	SLEEVE - PROTECTION PLATE TOOL ADAPT	8	EA
8	OQ7072007	WASHER NORDLOCK M12-19.5 X 2.5 1262	16	EA
9	OQ4120567	RUBBER SPACER OQ60-70/55	4	EA
10	OQ7060217	HH CS M12 x 55 8.8_FZB	8	EA
11	OQ7065005	NUT- M12 NYLOCK	8	EA

# 4.0 - ATTACHMENT FRAME

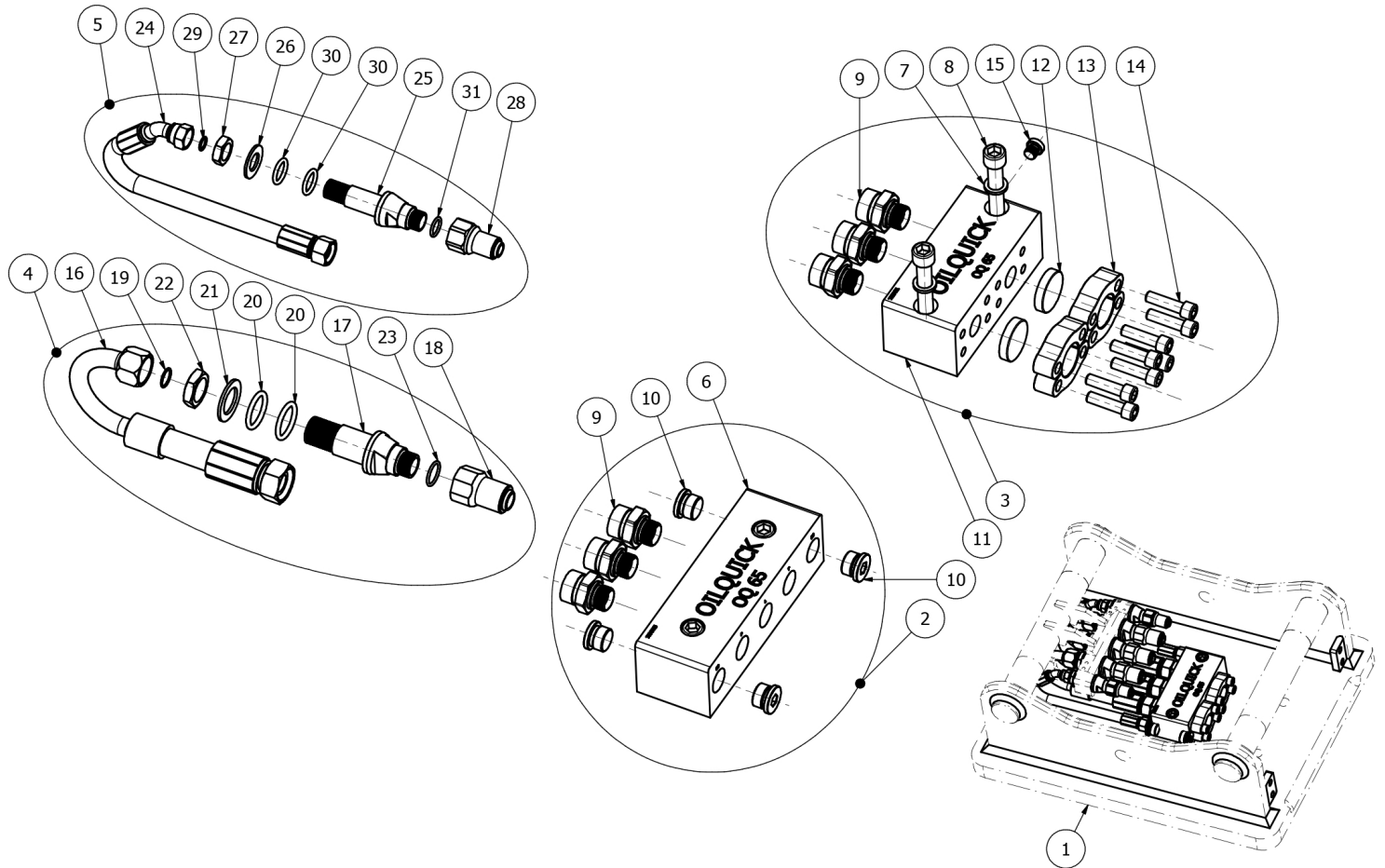
## 4.2 - OQ4116385 - C-FRAME



ITEM	PN#	NAME	QTY	UOM
1	OQ4116384	OQ65 C-FRAME - BLANK	1	EA
2	OQ4113764	DEFLECTOR OQ60-65 OQC65	1	EA
3	OQ7060145	SCREW MF6S M6x10 10.9 OBH	2	EA
4	OQ4116380	BULKHEAD 1/2" LONG OQ65	2	EA
5	OQ7160048	O-RING 17,6x2,62 NBR70	4	EA
6	OQ7206017	HYDRAULIC COUPLING 1/2", MALE	2	EA
7	OQ7160031	RUBBER RING 22x4	6	EA
8	OQ4112316	WASHER 0.750 - 1.49 X 0.12 P	2	EA
9	OQ4112399	NUT 13/16"-16UN, T=9	2	EA
10	OQ7160045	O-RING-014 -08MO (12,42x1,78) NBR 90D	2	EA
11	OQ4113765	BULKHEAD 1/2" SHORT OQ65	2	EA
12	OQ4113859	POLY ADAPTER 1/2"	2	EA
13	OQ4112660	WASHER 1/2"	2	EA
14	OQ7060118	SCREW	5	EA
15	OQ4116379	BULKHEAD 3/4" LONG OQ65	3	EA
16	OQ7160049	O-RING 23,47x2,62 NBR70	6	EA
17	OQ7206019	HYDRAULIC COUPLING 3/4", MALE	3	EA
18	OQ7160043	O-RING 34x5 NBR 70	6	EA
19	OQ4112315	WASHER 1.188 - 1.88 X 0.12 P	3	EA
20	OQ4112398	NUT 1 3/16"-12UN, T=10,5	3	EA
21	OQ7160046	O-RING-018 -12MO (18,77x1,78) NBR 90D	3	EA
22	OQ4113766	BULKHEAD 3/4" SHORT OQ65 DRT GUARD	3	EA
23	OQ4113857	POLY ADAPTER 3/4"	3	EA
24	OQ7160032	RUBBER RING 30x4	3	EA
25	OQ4112659	WASHER 3/4"	3	EA
26	OQ4116145	EMBLEM - OILQUICK - OQ45-OQ65	2	EA
27	OQ5118084	COUPLING KIT 1/2" LONG OQ65	2	EA
28	OQ5110082	COUPLING KIT 1/2" OQ65 NO BLOCK	2	EA
29	OQ4113860	POLY ADAPTER 1/2" OQ60-OQ65	2	EA
30	OQ5118085	COUPLING KIT 3/4" LONG OQ65	3	EA
31	OQ5118083	COUPLING KIT 3/4" SHORT OQ65	3	EA
32	OQ4113858	POLY ADAPTER 3/4" OQ60-65	3	EA

## 4.0 - ATTACHMENT FRAME

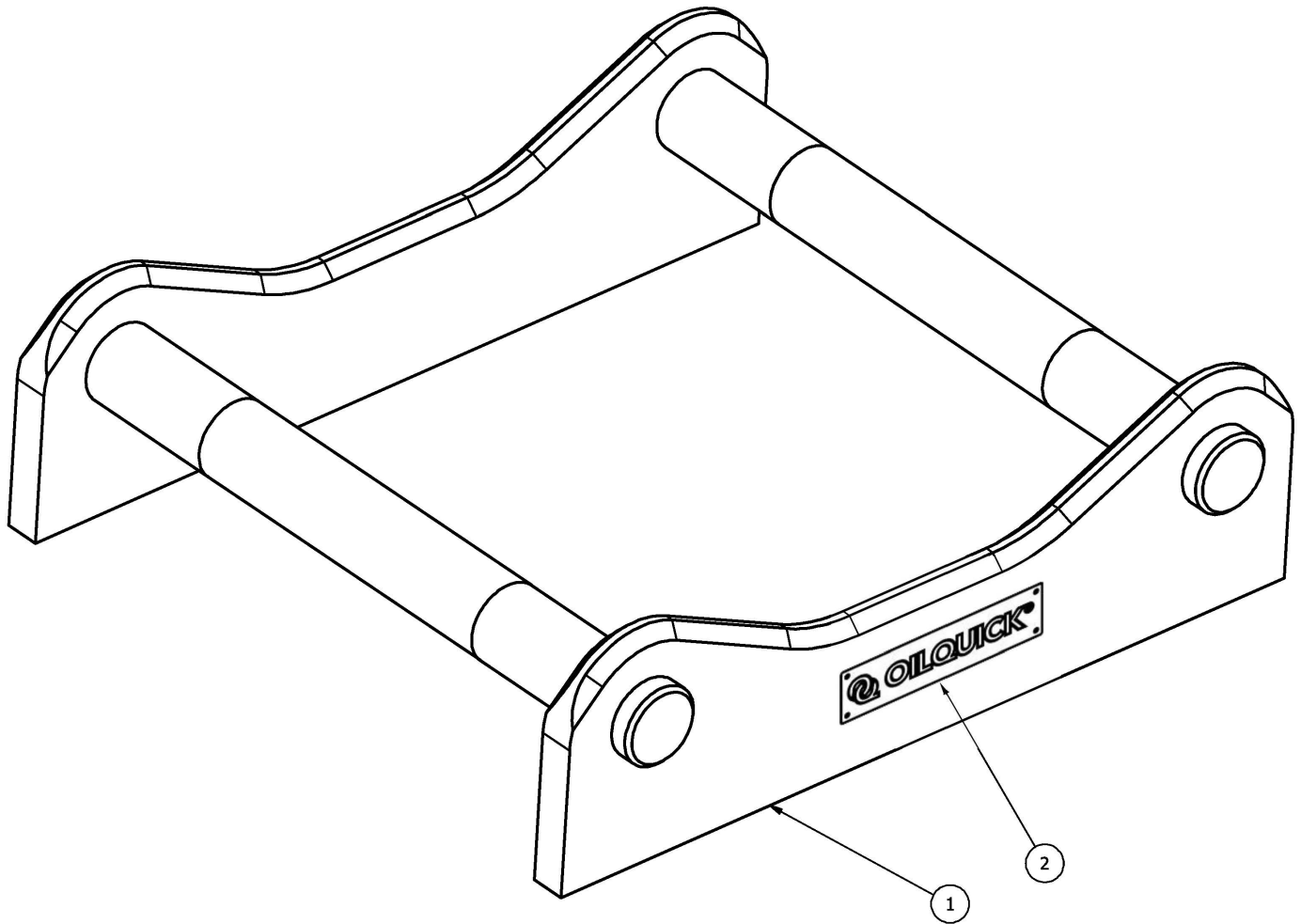
### 4.3 - OQ4122410 - SPLIT BLOCKS



ITEM	PN#	NAME	QTY	UOM
1	OQ411xxxx	TOOL ADAPTER	1	EA
2	OQ5118015	DEFLECTOR OQ60-65 OQC65	1	EA
3	OQ5118014	SCREW MF6S M6x10 10.9 OBH	1	EA
4	OQ5110124	COUPLING KIT 3/4" OQ65 BLOCK	3	EA
5	OQ5110123	COUPLING KIT 1/2" OQ65 BLOCK	2	EA
6	OQ7200290	HYDR.BLOCK 3x3/4", 2x1/2"	1	EA
7	OQ7072034	NORDLKM16 - 25.4 X 3.3 1536	2	EA
8	OQ7060111	SH CS M16 - 2.00 x 80 12.9	2	EA
9	OQ7200297	NIPPLE 25S-G3/4" UF ED	3	EA
10	OQ7091010	PLUG G3/4" ED	4	EA
11	OQ7200289	SPIT BLOCK 3x3/4"-SAE6 1 1/4"	1	EA
12	OQ7207012	PLASTIC PLUG, SAE6 FLANGE 1"	2	EA
13	OQ7207011	SAE6 FLANGE 1"	4	EA
14	OQ7060097	SH CS M12 - 1.75 x 45 12.9	8	EA
15	OQ7200283	FTG-HYD 04MBSPP PLUG SEAL E	1	EA
16	OQ7150219	HYDRAULIC HOSE/PIPE 3/4"	3	EA
17	OQ4113766	BULKHEAD 3/4" SHORT OQ65	3	EA
18	OQ7206019	HYDRAULIC COUPLING 3/4", MALE	3	EA
19	OQ7160049	O-RING 23,47x2,62 NBR70	3	EA
20	OQ7160043	O-RING 34x5 NBR 70	6	EA
21	OQ4112315	WASHER 1.188 - 1.88 X 0.12 P	3	EA
22	OQ4112398	NUT 1 3/16"-12UN, T=10,5	3	EA
23	OQ7160046	O-RING-018 -12MO (18,77x1,78) NBR 90D	3	EA
24	OQ7150218	HYDRAULIC HOSE 1/2" L=425	1	EA
25	OQ4113765	BULKHEAD 1/2" SHORT OQ65	1	EA
26	OQ4112316	WASHER 0.750 - 1.49 X 0.12 P	1	EA
27	OQ4112399	NUT 13/16"-16UN, T=9	1	EA
28	OQ7206017	HYDRAULIC COUPLING 1/2", MALE	1	EA
29	OQ7160045	O-RING-014 -08MO (12,42x1,78) NBR 90D	1	EA
30	OQ7160031	RUBBER RING 22x4	2	EA
31	OQ7160048	O-RING 17,6x2,62 NBR70	1	EA

## 4.0 - ATTACHMENT FRAME

### 4.4 - OQE05666 - OQ65 - MECHANICAL ATTACHMENT FRAME



ITEM	PN#	NAME	QTY	UOM
1	OQE00159	OQ65 - MECHANICAL ATTACHMENT FRAME	1	EA
2	OQ4116145	EMBLEM - OILQUICK - OQ45-OQ65	2	EA
3	OQE04831	INSTRUCTIONS MECHANICAL ATTACHMENT FRAME	1	EA







Dealer:



OilQuickAmericas  
155 Main Street  
Superior, WI 54880  
Phone: 262.607.8425  
Fax: 715.395.3703

E-mail: [info@oilquickamericas.com](mailto:info@oilquickamericas.com)  
Web: [www.oilquickamericas.com](http://www.oilquickamericas.com)