

Manufacturer:

OilQuickAmericas
155 Main Street
Superior, WI 54880
Phone: 262.607.8425
Fax: 715.395.3703

E-mail: info@oilquickamericas.com
Web: www.oilquickamericas.com

When ordering spare parts:

- Include the part number, description and desired quantities.
- Include your complete address.
- Specify how the parts are to be delivered.

TABLE OF CONTENTS

OQ90

1.0 - QUICK COUPLER

1.1 - OQ90 COUPLER	4
1.2 - SPLIT BLOCKS FOR H-CYLINDER	8

2.0 - INSTALL COMPONENTS

2.1 - HOSE CLAMPS	10
2.1.1 - OQ4119450 - HOSE CLAMP 1 1/4"	10
2.1.2 - OQ4129699 - HOSE CLAMP 1 1/4"+3/4"	11
2.1.3 - OQ4123919 - HOSE CLAMP 1 1/4"+1"	12
2.1.4 - OQ4119458 - SPACER KIT HOSE CLAMP 35/45/55MM	13
2.2 - OQ5110941 - GUIDE BLOCK MANIFOLD (DRAIN CROSSOVER)	14
2.3 - OQE06347 - ASSEMBLY GUIDE BLOCK OQ65+	16

3.0 - SERVICE COMPONENTS

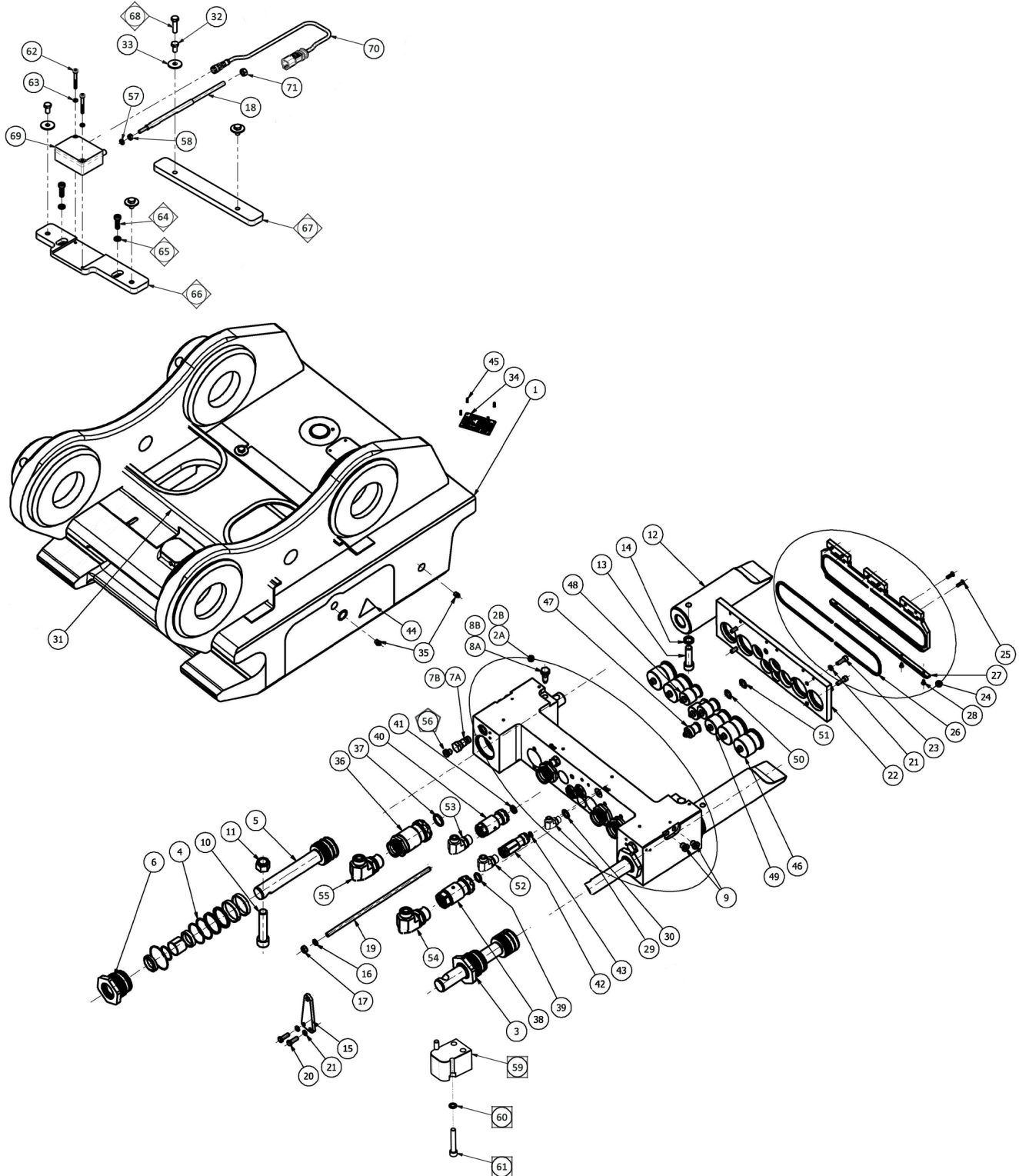
3.1 - OQ5113699 - FIRST AID KIT OQ90	17
--	----

4.0 - ATTACHMENT FRAMES

4.1 - OQ4120604 - D-FRAME	18
4.2 - OQ4117997 - C-FRAME	20
4.3 - OQ4119967 - SPLIT BLOCKS	24
4.4 - OQE05141 - MECHANICAL FRAME	27

1.0 - COUPLER

1.1 - OQ90 COUPLER



Notes:

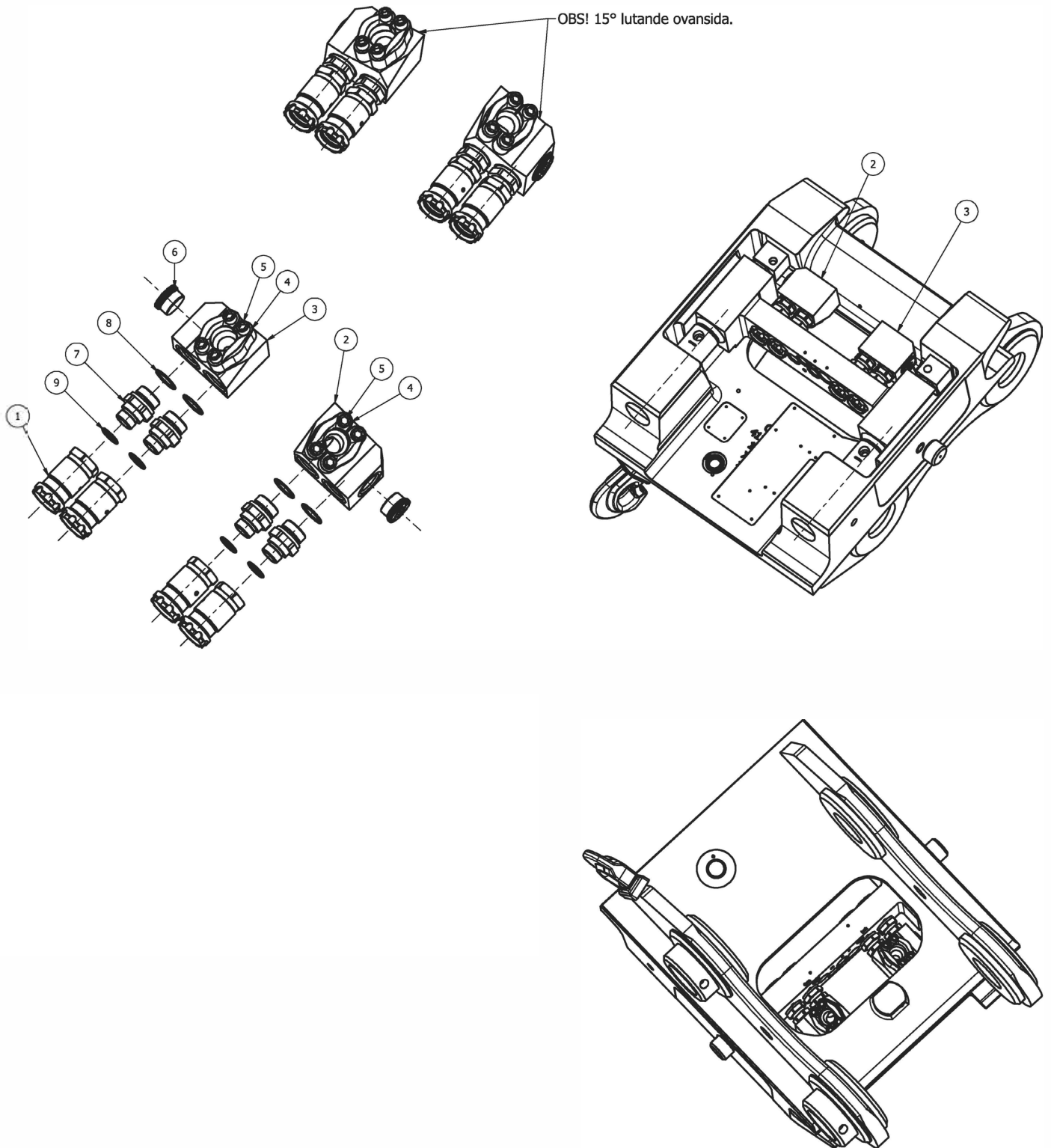
- 1. Plugs used on H-cylinder 2.0 to plug pilot operated check valve, Item #7b.
- 2. Items used on retrofitted couplers without sensor mounting holes present on coupler body.
- 3. Items used on OQ90 chassis 2.0.

ITEM	PN#	NAME	QTY	UOM
1	-	QUICK COUPLER	1	EA
2a	OQ4120340	H-CYLINDER OQ90	1	EA
2b	OQ4136085	H CYLINDER 2.0 OQ90	1	EA
3	OQ4120339	PISTON ROD H-CYL. OQ90 COMPL.	2	IN
4	OQ7020219	SEALING KIT H-CYL. OQ 90	1	EA
5	OQ4120337	PISTON ROD	2	EA
6	OQ4120338	PISTON GUIDE	2	EA
7a	OQ7009012	CHECK VALVE 4CK30-I-S3-A9	1	EA
7b	OQ7009001	PILOT OPERATED CHECK VALVE H-CYL 2.0	2	EA
8a	OQ7008004	PRESSURE RELIEF VALVE	1	EA
8b	OQ7008001	PRESSURE RELIEF VALVE H-CYL 2.0	2	EA
9	OQ7200117	PLUG G1/4" UF	2	EA
10	OQ7060161	SCREW MC6S M20x100 12.9	2	EA
11	OQ7065007	LOCKING NUT	2	EA
12	OQ4114794	LOCKING PLUNGER	2	EA
13	OQ7060159	SCREW	2	EA
14	OQ7072034	LOCKING WASHER	2	EA
15	OQE06974	OQ90 SENSOR BRACKET	1	EA
16	OQ7072028	LOCKING WASHER	3	EA
17	OQ7065006	NUT M20 NYLOCK	3	EA
18	OQE05934	OQ90 E-VA ROD-292.5MM	1	EA
19	OQ4114819	OPENING BAR OQ90	1	EA
20	OQ7060008	SCREW M6S 8x25	2	EA
21	OQ7072021	WASHER NORDLOCK M8	6	EA
22	OQ4122024	OBS GUIDE PLATE OQ90	1	EA
23	OQ7060094	SCREW MC6S M8 - 1.25 x 25	4	EA
24	OQ4114818	DIRT GUARD OQ90	1	EA
25	OQ7060091	SCREW MF6S M6x20 10.9	6	EA
26	OQ4115211	RUBBER SEAL, DIRT GUARD	1	EA
27	OQ4115368	GUIDE	1	EA
28	OQ7060136	SCREW MF6S M5x10 10.9	5	EA
29	OQ7200210	FTG-HYD 12MM- 04MO 90	2	EA

ITEM	PN#	NAME	QTY	UOM
30	40-03375	O-RING 12MMB 2.2 X 9.3 90D	2	EA
31	OQE06614	GUARD ASSY OQSS OQ90	1	EA
32	OQ7060020	SCREW M6S M10x20 8.8 FZB	4	EA
33	OQ7072032	WASHER FNDR M8 - 35.0 X 2.0 Z	4	EA
34	OQE04743	OILQUICK IDENTIFICATION PLATE	1	EA
35	OQ7205005	GREASE NIPPLE M10x1,5	4	EA
36	OQ4118454	HYDRAULIC COUPLING 1" - M33, FEMALE	4	EA
37	OQ7020132	NOSE SEAL 1"	1	EA
38	OQ4118524	SCREW M6S M10x20 8.8 FZB	1	EA
39	OQ7020131	NOSE SEAL 3/4"	1	IN
40	OQ4118550	HYDRAULIC COUPLING 1/2", M22 FEMALE	3	EA
41	OQ7020130	NOSE SEAL 1/2"	1	EA
42	OQ4118780	HYDRAULIC COUPLING 3/8", FEMALE OQ45-5	1	EA
43	OQ7020270	NOSE SEALING 3/8"	1	EA
44	OQ7410059	PINCH DECAL	2	EA
45	OQ7093007	POP RIVET A 3,2 X 12,5	4	EA
46	OQ4121131	POLY ADAPTER 1", H-CYLINDER	4	EA
47	OQ4121140	POLY ADAPTER 1/4"+/8" H-CYL	1	EA
48	OQ4121137	POLY ADAPTER 1/2", H-CYLINDER	3	EA
49	OQ4121134	POLY ADAPTER 3/4", H-CYLINDER	1	EA
50	OQ7170026	CIRCLIP SGA 24	1	EA
51	OQ4121984	WASHER SUPPORT 0.875 - 1.18 X 0.08 P	1	EA
52	OQ7200409	ELBOW ORFS06 UF-G3/8" UF 90° ADJ	1	EA
53	OQ7200227	ELBOW ORFS08 UF-M22x1,5 UF 90° ADJ	3	EA
54	OQ7200228	ELBOW ORFS12 UF-M27x2 UF 90° ADJ	1	EA
55	OQ7200229	ELBOW ORFS16 UF-M33x2 UF 90° ADJ	1	EA
56	OQ7200224	PLUG VSTI M16x1.5 ED (SEE NOTE 1)	2	EA
57	50-00082	NUT M6 - 1.00 Z_8	1	EA
58	50-00905	WASHER NORDLOCK M6 - 10.8 X 1.8 1519	1	EA
59	OQ4136325	H-CYLINDER 2.0 ROD MOUNT OQ90 (SEE NOTE 3)	2	EA
60	OQ7072007	WASHER NORDLOCK M12-19.5 X 2.5 1262 (SEE NOTE 3)	4	EA
61	OQ7060132	SCREW MC6S M12x80 12.9 (SEE NOTE 3)	4	EA

ITEM	PN#	NAME	QTY	UOM
62	50-01095	SH CS M5 - 0.8 X 40 Z_12.9	2	EA
63	OQ7072033	WASHER NORDLOCK M5 - 9.0 X 1.8	2	EA
64	50-01375	SH CS M10 - 1.5 X 30 Z_8.8 LOW PROFILE (SEE NOTE 2)	2	EA
65	50-00682	WASHER NORDLOCK M10 - 16.6 X 2.5 1244 (SEE NOTE 2)	2	EA
66	OQE06687	OQSS RETRO MOUNT PLATE OQ90 (SEE NOTE 2)	1	EA
67	OQE06688	OQSS RETRO SPACER PLATE OQ90 (SEE NOTE 2)	1	EA
68	50-00205	HH CS M10 - 1.50 X 40 P_10.9 (SEE NOTE 2)	2	EA
69	OQ1800514	LOCK SENSOR E-VA	1	EA
70	OQE07560	CABLE 8-POS FEMALE M12/PL 3M	1	EA
71	50-01346	FH CS M6 - 1.0 X 12 Z_8.8	1	EA

1.2 - SPLIT BLOCKS FOR H-CYLINDER

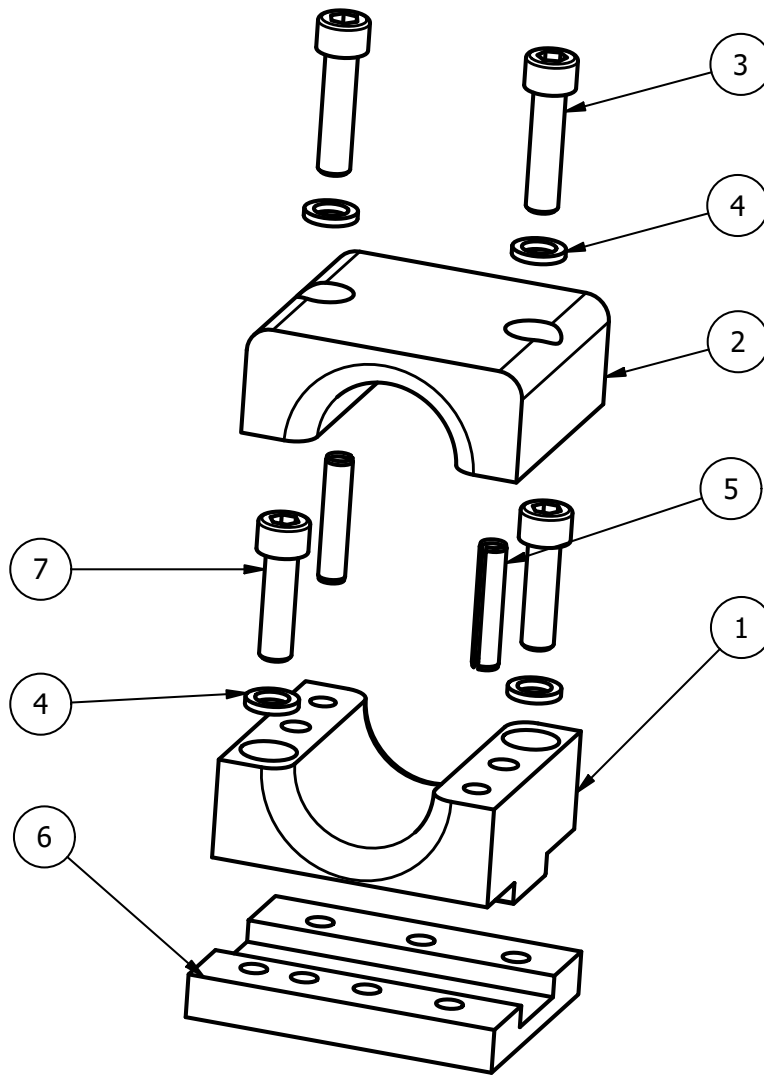


ITEM	PN#	NAME	QTY	UOM
1	OQ4118454	HYDRAULIC COUPLING 1" - M33, FEMALE	4	EA
2	OQ4117972	HYDRAULIC BLOCK, OQ90, L	1	EA
3	OQ4117971	HYDRAULIC BLOCK, OQ90, R	1	EA
4	OQ7207006	SAE FLANGE 1 1/4"	2	EA
5	OQ7060197	SCREW MC6S M14x50 12.9	8	EA
6	OQ7200239	PLUG VSTI M42 X 2	2	EA
7	OQ4117973	NIPPLE M33x2-M42x2 (ISO 6149-2)	4	EA
8	OQ7160133	O-RING 38,6x2,9 NBR70	4	EA
9	OQ7160125	O-RING 29,6x2,9 NBR70	4	EA

2.0 - INSTALL COMPONENTS

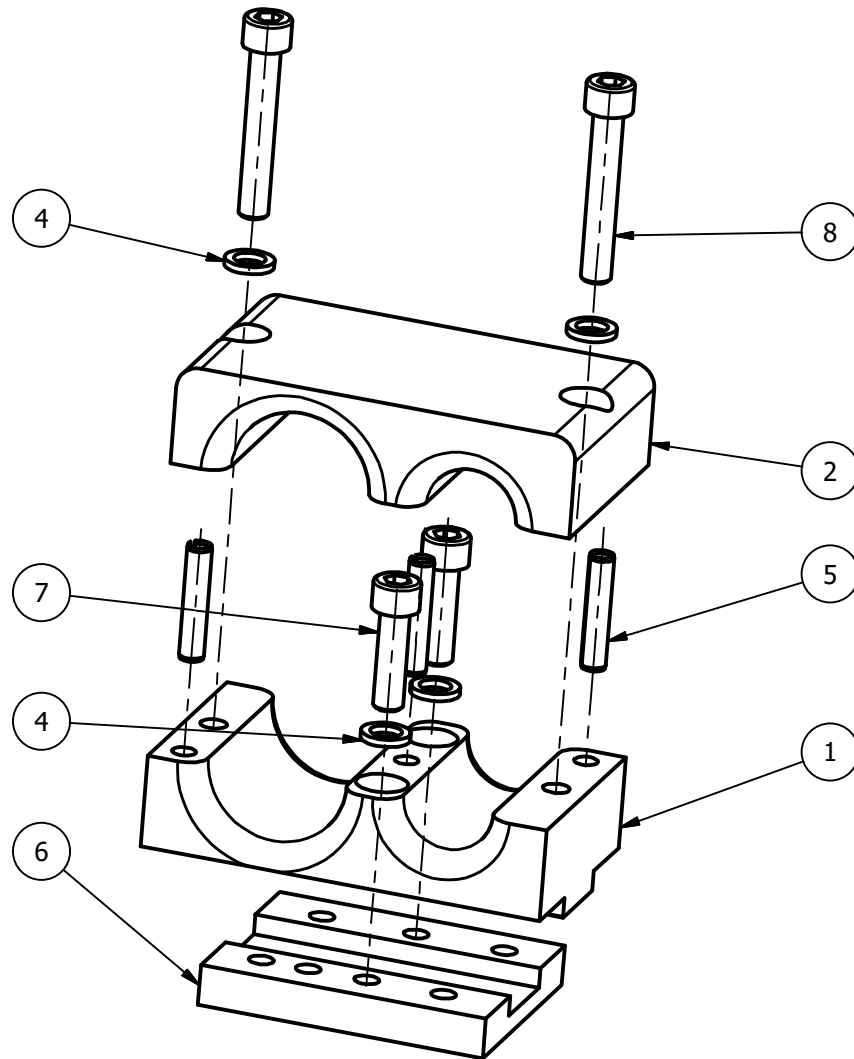
2.1 - HOSE CLAMPS

2.1.1 - OQ4119450 - HOSE CLAMP 1 1/4"



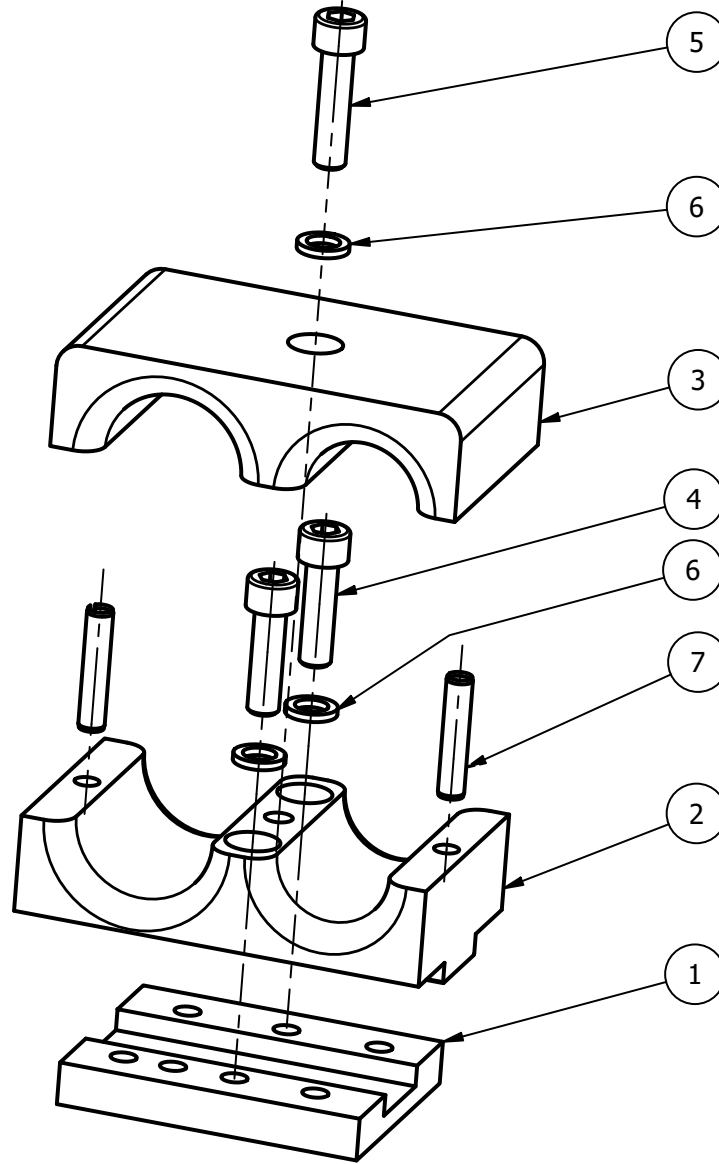
ITEM	PN#	NAME	QTY	UOM
1	OQ4119452	BASE HOSE HOLDER	1	EA
2	OQ4119451	UPPER HOSE HOLDER	1	EA
3	OQ7060110	SCREW MC6S M10x40 12.9	2	EA
4	OQ7072028	WASHER NORDLOCK M10	4	EA
5	OQ7089026	SPRING PIPE STICK	2	EA
6	OQ4119391	WELDING PLATE, HOSE CLAMP	1	EA
7	OQ7060099	SCREW MC6S M10x35 8.8 FZB	2	EA

2.1.2 - OQ4129699 - HOSE CLAMP 1 1/4"+3/4"



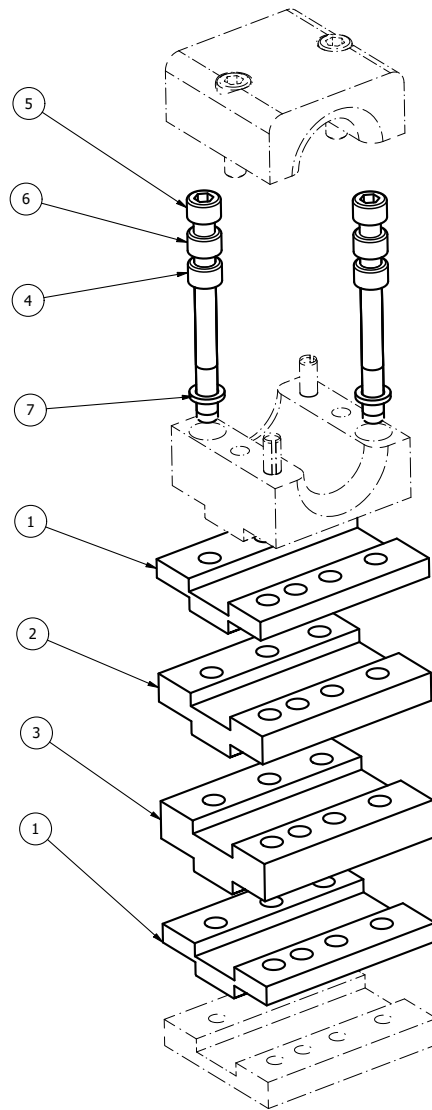
ITEM	PN#	NAME	QTY	UOM
1	OQ4129694	BASE HOSE HOLDER	1	EA
2	OQ4129693	UPPER HOSE HOLDER	1	EA
4	OQ7072028	NUT NORDLOCK M10	4	EA
5	OQ7089026	SPRING PIPE STICK	3	EA
6	OQ4119391	WELD PLATE	1	EA
7	OQ7060099	SCREW MC6S 10 X 35	2	EA
8	OQ7060190	SCREW MC6S 10 X 60	2	EA

2.1.3 - OQ4123919 - HOSE CLAMP 1 1/4"+1"



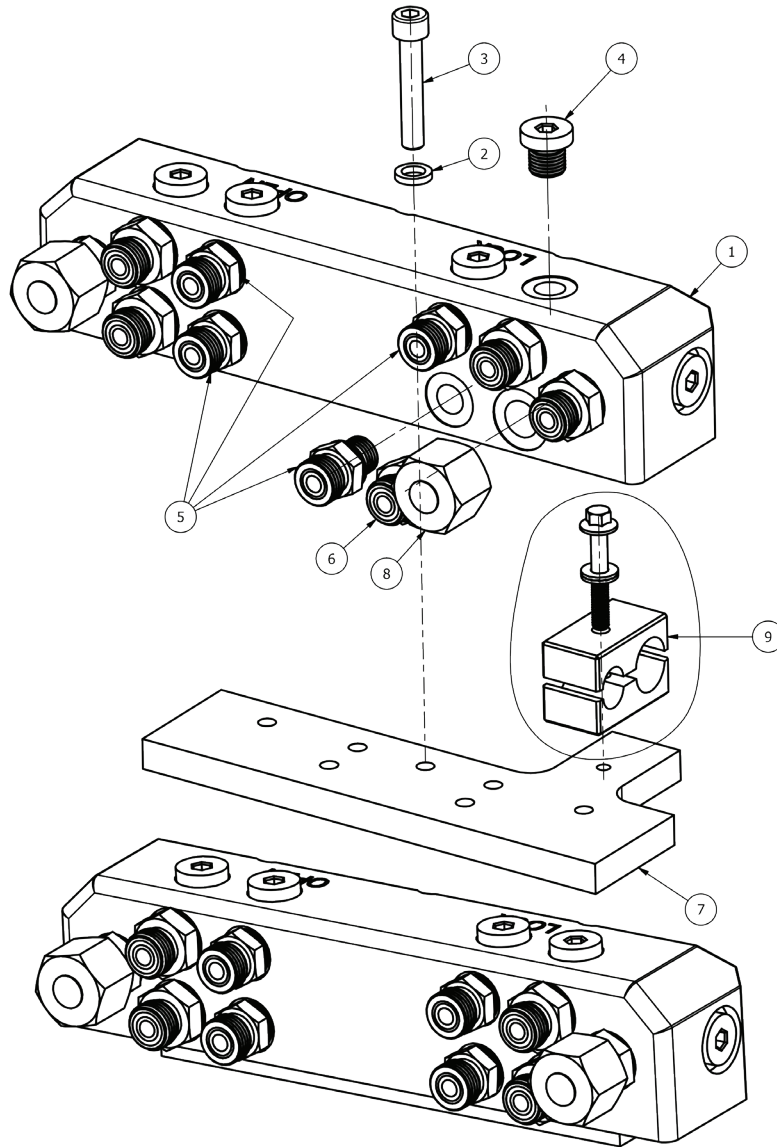
ITEM	PN#	NAME	QTY	UOM
1	OQ4119391	WELDING PLATE, HOSE CLAMP	1	EA
2	OQ4123917	BASE HOSE HOLDER	1	EA
3	OQ4123918	UPPER HOSE HOLDER	1	EA
4	OQ7060099	SCREW MC6S M10x35 8.8 FZB	2	EA
5	OQ7060110	SCREW MC6S M10x40 12.9	1	EA
6	OQ7072028	WASHER NORDLOCK M10	3	EA
7	OQ7089026	SPRING PIPE STICK	2	EA

2.1.4 - OQ4119458 - SPACER KIT HOSE CLAMP 35/45/55MM



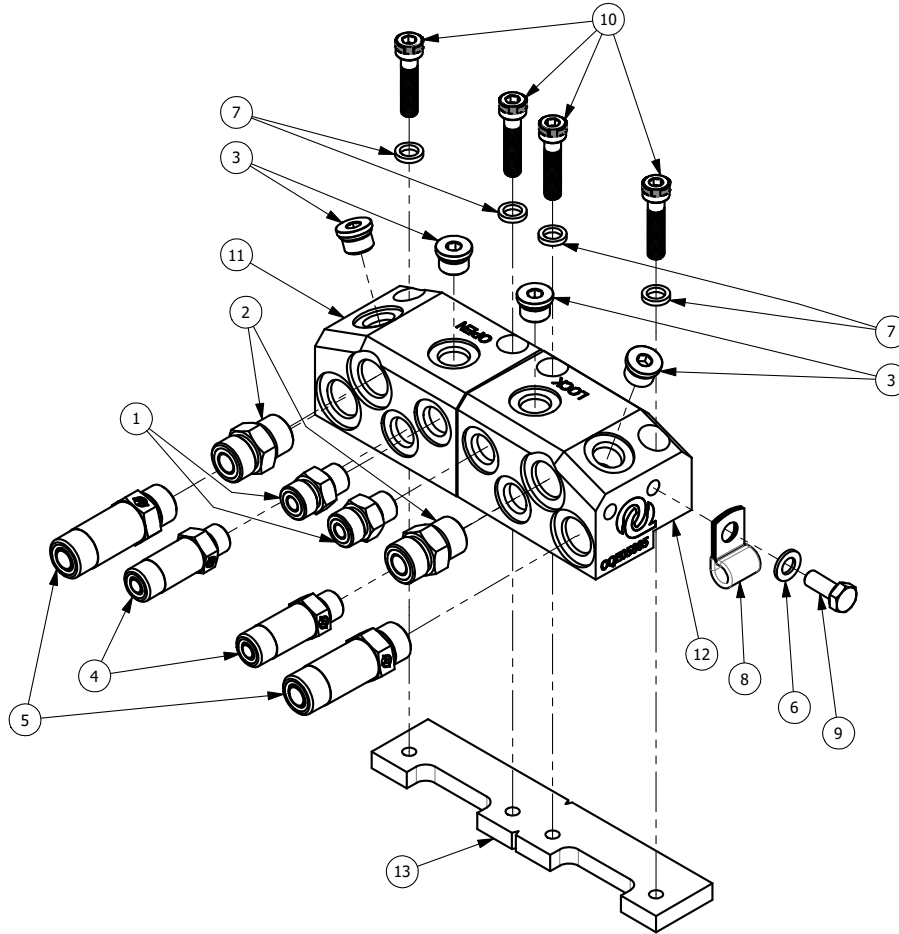
ITEM	PN#	NAME	QTY	UOM
1	OQ4119392	SPACER 10MM, HOSE CLAMP	2	EA
2	OQ4119393	SPACER 15MM, HOSE CLAMP	1	EA
3	OQ4119459	SPACER 20MM, HOSE CLAMP	1	EA
4	OQ7060146	SCREW MC6S M10x70 12,9	2	EA
5	OQ7060205	SCREW MC6S M10x80 12.9	2	EA
6	OQ7060177	SHCS MC6S M10-1.50 x90 12.9	2	EA
7	50-00682	WASHER NORDLOCK M10 - 16.6 X 2.5 1244	2	EA

2.2 - OQ5110941 - GUIDE BLOCK MANIFOLD



ITEM	PN#	NAME	QTY	UOM
1	OQ4121328	HYDR.BLOCK, LOCK-, 1/2"- & DRAIN	1	EA
2	OQ7072021	WASHER NORDLOCK M8	3	EA
3	OQ7060102	SCREW MC6S M8 - 1.25 x 45	3	EA
4	OQ7200283	PLUG G1/4" ED	6	EA
5	OQ7200213	NIPPLE ORFS06 UF-M14x1,5 UF	4	EA
6	OQ7200249	NIPPLE ORFS08 UF-M16x1,5 UF	6	EA
7	OQ4115481	BRACKET, LOCKING CIRCUIT	1	EA
8	OQ7200002	BLIND NUT ORFS08IF	2	EA
9	OQ5180116	BRACES - COMPLETE	1	EA

2.3 - OQE06347 - ASSEMBLY GUIDE BLOCK OQ65+



ITEM	PART#	NAME	QTY	UOM
1	40-00088	FTG-HYD 06MB-06MO	2	EA
2	40-00314	FTG-HYD 08MB-08MO	2	EA
3	40-02866	FTG-HYD 06MB PLUG HOLLOW HEX	4	EA
4	40-03032	FTG-HYD 06MB-06MO-L	2	IN
5	40-03033	FTG-HYD 08MB-08MO-L	2	EA
6	50-00493	WASHER M8 - 16.0 X 1.6 Z	1	EA
7	50-00773	WASHER NORDLOCK M8 - 13.5 X 2.5 1231	4	EA
8	50-00872	P-CLIP M10 3/8" DIA X 3/4" W	1	EA
9	50-00931	HH CS M8-1.00 X 20 Z_8.8	1	EA
10	OQ7060078	SCREW MC6S M8 - 1.25 x 35 Z_12.9	4	EA
11	OQE05804	GUIDE BLOCK OQ65+ SPLIT-CAB	1	EA
12	OQE05805	GUIDE BLOCK OQ65+ SPLIT-TANK	1	EA
13	OQE05806	GUIDE BLOCK PLATE OQ65+	1	EA

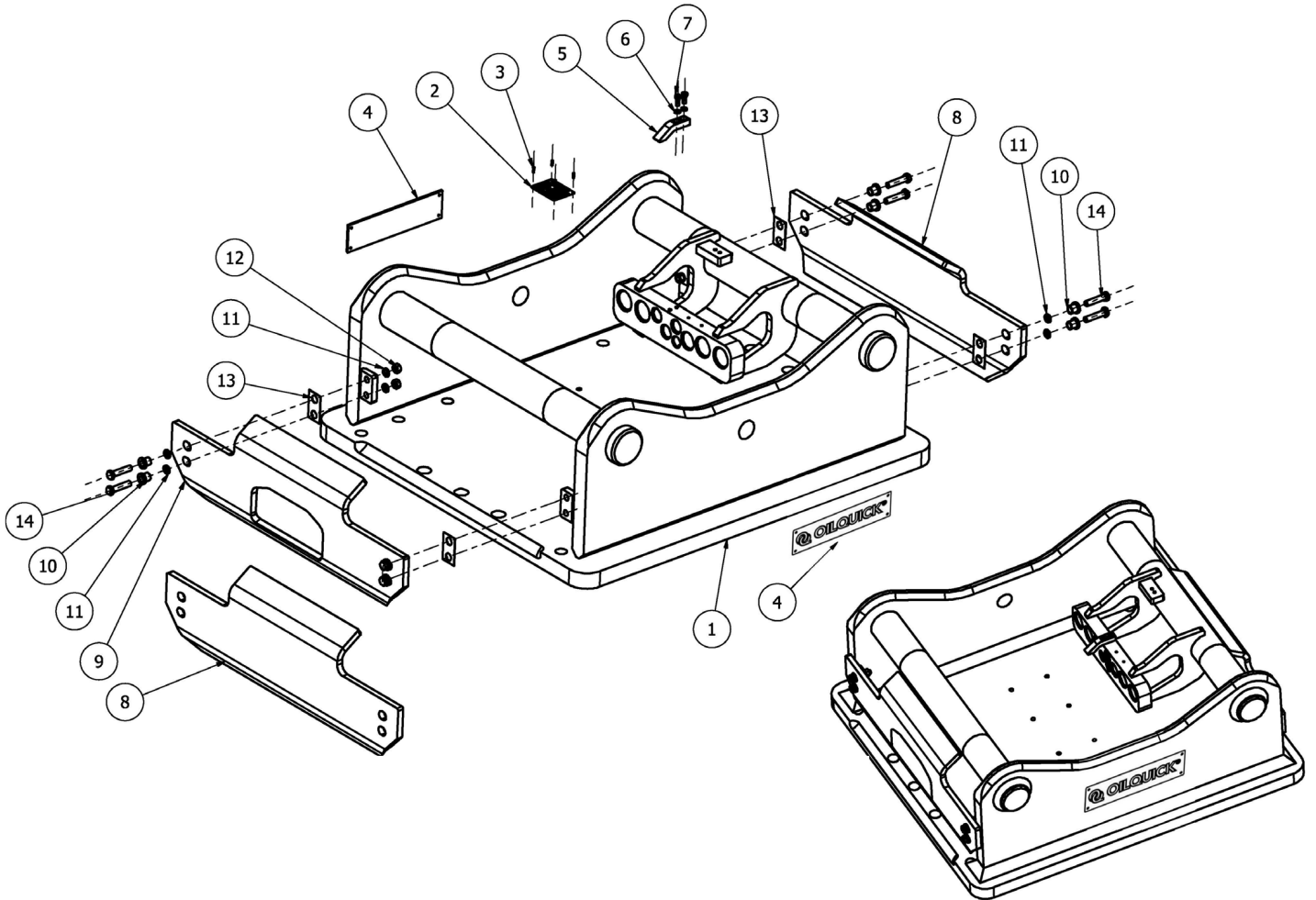
3.0 - SERVICE COMPONENTS

3.1 - OQ5113699 - FIRST AID KIT OQ90

ITEM	PN#	NAME	QTY	UOM
1	OQ7020270	NOSE SEAL 3/8"	2	EA
2	OQ7020130	NOSE SEAL 1/2"	4	EA
3	OQ7020131	NOSE SEAL 3/4"	2	EA
4	OQ7020132	NOSE SEAL 1"	8	EA
5	OQ4118755	PUSHER 3/8"	1	EA
6	OQ4112220	PUSHER 1/2"	1	EA
7	OQ4112221	PUSHER 3/4"	1	EA
8	OQ4112222	PUSHER 1"	1	EA
9	OQ4121990	MOUNTING TOOL 3/8"	1	EA
10	OQ4116298	MOUNTING TOOL 1/2"	1	EA
11	OQ4116296	MOUNTING TOOL 3/4"	1	EA
12	OQ4116295	MOUNTING TOOL 1"	1	EA
13	OQ7410094	FIRST AID KIT	1	EA
14	OQ7406065	FIRST AID KIT BOX	1	EA

4.0 - ATTACHMENT FRAME

4.1 - OQ4120604 - D-FRAME

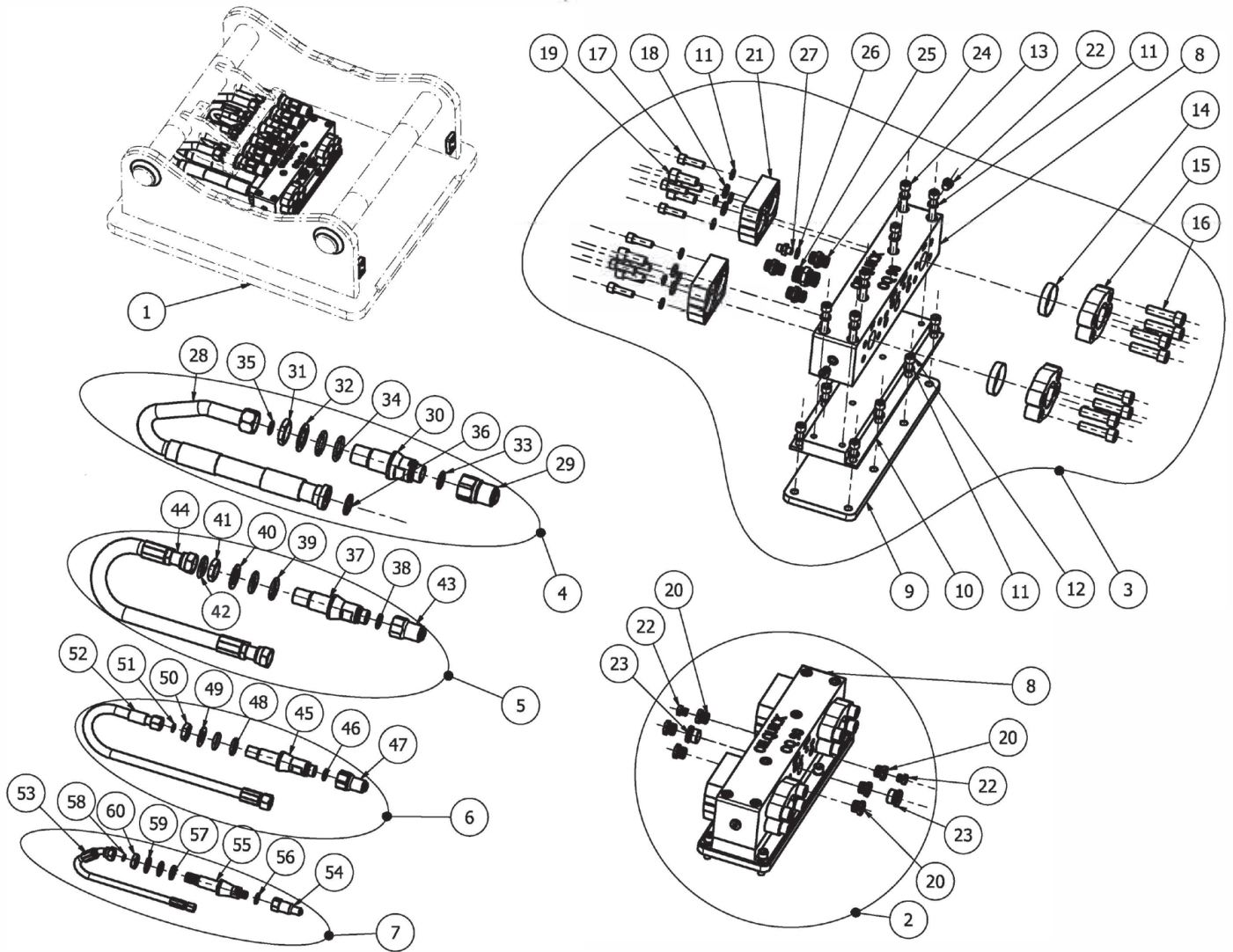


ITEM	PN#	NAME	QTY	UOM
1	OQ412XXXX	ATTACHMENT BRACKET	1	EA
2	OQ4118161	OILQUICK IDENTIFICATION PLATE	1	EA
3	OQ7093007	POP RIVET A 3,2x12,5	4	EA
4	OQ4116271	EMBLEM - OILQUICK - OQ70-OQ120	2	EA
5	OQ4114829	DEFLECTOR OQ90	1	EA
6	OQ7072021	WASHER NORDLOCK M8	2	EA
7	OQ7060133	SH SCREW MC6LS M8 - 1.25 x 20 10.9	2	EA
8	OQ4120335	PROTECTION PLATE, OQ90 SOLID	2	EA
9	OQ4120336	PROTECTION PLATE, OQ90 CUTOUT	1	EA
10	OQ4120324	SLEEVE - PROTECTION PLATE TOOL ADAPT	8	EA
11	OQ7072007	WASHER NORDLOCK M12-19.5 X 2.5 1262	16	EA
12	OQ7065005	NUT- M12 NYLOCK	8	EA
13	OQ4120568	RUBBER SPACER OQ80-90	4	EA
14	OQ7060217	HH CS M12 x 55 8.8_FZB	8	EA

ITEM	PN#	NAME	QTY	UOM
1	OQ4117985	ATTACHMENT FRAME	1	EA
2	OQ4117998	BULKHEAD 1" LONG OQ90	4	EA
3	OQ7206021	HYDRAULIC COUPLING 1", MALE	4	EA
4	OQ7160050	O-RING 28,17x3,52 NBR70	4	EA
5	OQ7160047	O-RING-021 -16MO (23,52x1,78) NBR 90D	4	EA
6	OQ7160044	O-RING 40x5 NBR70	8	EA
7	OQ4112314	WASHER 1.375 - 2.16 X 0.12 P	4	EA
8	OQ4112397	NUT 1 7/16"-12UN, T=10,5 BULK HEAD	4	EA
9	OQ4117999	3/4" LONG	1	EA
10	OQ7206019	HYDRAULIC COUPLING 3/4", MALE	1	EA
11	OQ7160049	O-RING 23,47x2,62 NBR70	1	EA
12	OQ7160043	O-RING 34x5 NBR 70	3	EA
13	OQ4112315	WASHER 3/4 1.188 - 1.88 X 0.12 P	1	EA
14	OQ4112398	NUT 1 3/16"-12UN, T=10,5	1	EA
15	OQ7160046	O-RING-018 -12MO (18,77x1,78) NBR 90D	1	EA
16	OQ4118000	BULK HEAD 1/2"	3	EA
17	OQ7206017	HYDRAULIC COUPLING 1/2", MALE	3	EA
18	OQ7160048	O-RING 17,6x2,62 NBR70	3	EA
19	OQ7160045	O-RING-014 -08MO (12,42x1,78) NBR 90D	3	EA
20	OQ7160042	O-RING 24x5 NBR70	6	EA
21	OQ4112316	WASHER 0.750 - 1.49 X 0.12 P	3	EA
22	OQ4112399	NUT 13/16"-16UN, T=9	3	EA
23	OQ4114829	DEFLECTOR OQ90	1	EA
24	OQ7072021	USE 50-00773	2	EA
25	OQ7060133	SH SCREW MC6LS M8 - 1.25 x 20 10.9	2	EA
26	OQ4112667	POLY ADAPTER 1/2"	3	EA
27	OQ4112660	WASHER 1/2"	3	EA
28	OQ7160031	O-RING	3	EA
29	OQ4112671	POLY ADAPTER 1"	4	EA
30	OQ4112658	WASHER 1"	4	EA
31	OQ4112669	POLY ADAPTER 3/4"	1	EA
32	OQ4112659	WASHER 3/4"	1	EA
33	OQ7160032	RUBBER RING 30X	1	EA

ITEM	PN#	NAME	QTY	UOM
34	OQ7060118	SCREW	2	EA
35	OQ4118084	POLY ADAPTER 1/4"	2	EA
36	OQ7160079	O-RING Ø13x4 NBR70	1	EA
37	OQ7160077	O-RING 20x4 NBR70	2	EA
38	OQ4114173	WASHER 1/4"	1	EA
39	OQ7060108	HH CS M8 - 1.25 x 30	1	EA
40	OQ4118086	BULK HEAD 1/4"	1	EA
41	OQ7200081	SEAL WASHER GB R 1/4"	1	EA
42	OQ4114925	QUICK COUPLING, MALE 1/4"	1	EA
43	OQ4114030	WASHER 0.625 X 1.16 - 0.10 Z	1	EA
44	OQ7065043	NUT 11/16"-16 UN	1	EA
45	OQ7160078	O-RING 9,25x1,78 NBR70	1	EA
46	OQ5113015	COUPLING KIT 1" LONG OQ90	4	EA
47	OQ4112672	POLY ADAPTER 1" OQ70-90	4	EA
48	OQ5113016	COUPLING KIT 3/4" long OQ90	1	EA
49	OQ4112670	POLY ADAPTER 3/4" OQ70-90	1	EA
50	OQ5113017	COUPLING KIT 1/2" LONG	3	EA
51	OQ4112668	POLY ADAPTER 1/2" OQ70-90	3	EA
52	OQ5113018	COUPLING KIT 1/4" LONG	1	EA
53	OQ5113014	POLY ADAPTER 1/4" & 3/8" OQ90	1	EA
54	OQ4116271	EMBLEM - OILQUICK - OQ70-OQ120	2	EA

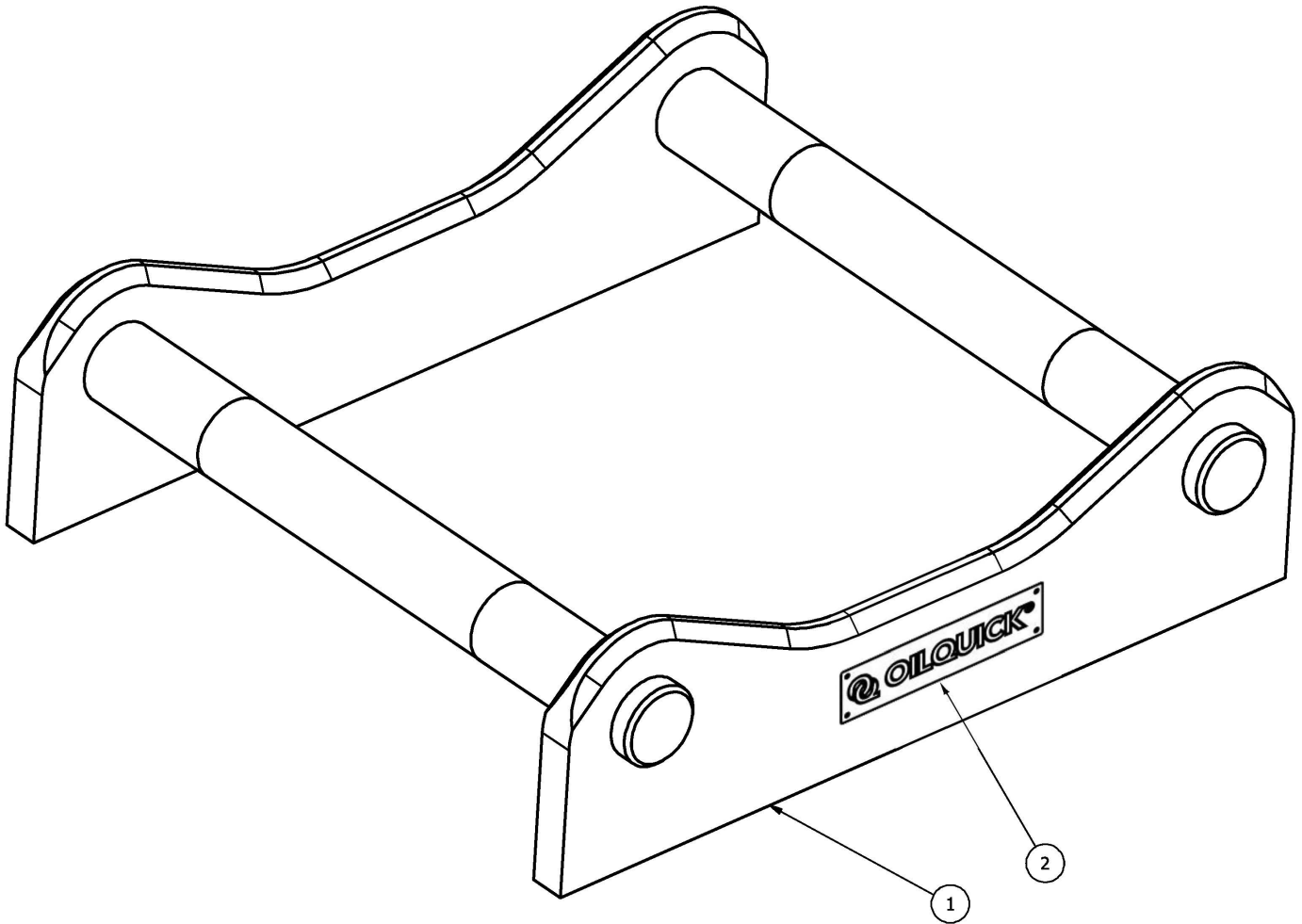
4.3 - OQ4119967 - SPLIT BLOCKS



ITEM	PN#	NAME	QTY	UOM
1	OQ411XXXX	TOOL ADAPTOR	1	EA
2	OQ5113035	HYDR.BLOCK KIT 4x1" SPLIT, OQ90	1	EA
3	OQ5113043	SPLITBLOCK KIT	1	EA
4	OQ5113036	COUPLING KIT 1" OQ90 BLOCK	4	EA
5	OQ5113037	COUPLING KIT 3/4" OQ90 BLOCK	1	EA
6	OQ5111106	COUPLING KIT 1/2" OQ70-90 BLOCK	2	EA
7	OQ5113038	COUPLING KIT 1/4" BLOCK	1	EA
8	OQ7200274	HYDRAULIC BLOCK OQ90 TOOL ADAPTER	1	EA
9a	OQ4117949	SPACER, STD	1	EA
9b	OQE04819	SPACER, THIN	1	EA
10	OQ7200302	RUBBER PLATE	1	EA
11	OQ7072007	LOCKING WASHER	22	EA
12	OQ7060097	SH CS M12 - 1.75 x 45 12.9	8	EA
13	OQ7060016	SH CS M12 x100 Z_12.9	6	EA
14	OQ7207016	PLASTIC PLUG, SAE6 FLANGE 1 1/2"	2	EA
15	OQ7207013	FLANGE HALF - 1 1/2"	3	EA
16	OQ7060159	SH CS M16 X 60	8	EA
17	OQ7060069	SH CS M12 X 40 Z_12.9	8	EA
18	50-00734	WASHER NORDLOCK M16 - 25.4 X 3.3 1536	4	EA
19	OQ7060149	SH CS M16 X 40 Z_12.9	4	EA
20	OQ7091009	PLUG - 08 MBSPP -ED	6	EA
21	OQ7200301	CLAMP OQ90 OVERFALL FLANS BLOCK	4	EA
22	OQ7200283	PLUG G1/4" ED	4	EA
23	OQ7091010	PLUG G3/4" ED	2	EA
24	OQ7200279	NIPPLE 15L-G1/2" UF	3	EA
25	OQ7200281	NIPPLE ORFS12 UF-G3/4" UF ED	1	EA
26	OQ7200081	SEAL WASHER GB R 1/4"	1	EA
27	OQ7200098	NIPPLE G1/4" UF-M12x1,5 UF	1	EA
28	OQ7150216	HYDRAULIC HOSE/PIPE 1" OQ90	4	EA
29	OQ7206021	HYDRAULIC COUPLING 1", MALE	4	EA
30	OQ4113607	BULKHEAD 1" SHORT OQ70/55 OQ80	4	EA
31	OQ4112397	NUT 1 7/16"-12UN, T=10,5	4	EA
32	OQ4112314	WASHER 1.375 - 2.16 X 0.12 P	4	EA

ITEM	PN#	NAME	QTY	UOM
33	OQ7160050	O-RING 28, 17x3, 52 NBR70	2	EA
34	OQ7160044	O-RING 40x5 NBR70	2	A
35	OQ7160047	O-RING-021 -16MO (23,52x1,78) NBR 90D	4	EA
36	40-00318	O-RING-219 TRELLEBORG -16FL61/62 (BLUE)	4	EA
37	OQ4113606	BULK HEAD 3/4" SHORT OQ70/55 OQ80	1	EA
38	OQ7160049	O-RING 23,47x2,62 NBR70	1	EA
39	OQ7160043	O-RING 34x5 NBR 70	2	EA
40	OQ4112315	WASHER 1.188 - 1.88 X 0.12 P	1	EA
41	OQ4112398	NUT 1 3/16"-12UN, T=10,5	1	EA
42	OQ7160046	O-RING-018 -12MO (18,77x1,78) NBR 90D	1	EA
43	OQ7206019	HYDRAULIC COUPLING 3/4", MALE	1	EA
44	OQ7150266	HYDRAULIC HOSE 3/4" L=590	1	EA
45	OQ4113605	BULK HEAD 1/2" SHORT OQ70/55 OQ80	3	EA
46	OQ7160048	O-RING 17,6x2,62 NBR70	3	EA
47	OQ7206017	HYDRAULIC COUPLING, 1/2" MALE	3	EA
48	OQ7160042	O-RING 24x5 NBR70	6	EA
49	OQ4112316	WASHER 0.750 - 1.49 X 0.12 P	3	EA
50	OQ4112399	NUT 13/16"-16UN, T=9	3	EA
51	OQ7160045	O-RING-014 -08MO (12,42x1,78) NBR 90D	3	EA
52	OQ7150215	HYDRAULIC HOSE 1/2" L=570	3	EA
53	OQ7150252	HYDRAULIC HOSE	1	EA
54	OQ4114925	QUICK COUPLING, MALE 1/4"	1	EA
55	OQ4118082	BULK HEAD 1/4"	1	EA
56	OQ7200081	SEAL WASHER GB R 1/4"	1	EA
57	OQ7160077	O-RING 20x4 NBR70	2	EA
58	OQ7160078	O-RING 9,25x1,78 NBR70	1	EA
59	OQ4114030	WASHER 0.625 X 1.16 - 0.10 Z	1	EA
60	OQ7065043	NUT 11/16"-16 UN	1	EA

4.4 - OQE05141 - MECHANICAL FRAME



ITEM	PN#	NAME	QTY	UOM
1	OQE00179	ATTACHMENT FRAME	1	EA
2	OQ4116271	PLATE OILQUICK	2	EA

Dealer:



OilQuickAmericas
155 Main Street
Superior, WI 54880
Phone: 262.607.8425
Fax: 715.395.3703

E-mail: info@oilquickamericas.com
Web: www.oilquickamericas.com