

Manufacturer:

OilQuickAmericas
155 Main Street
Superior, WI 54880
Phone: 262.607.8425
Fax: 715.395.3703

E-mail: info@oilquickamericas.com
Web: www.oilquickamericas.com

When ordering spare parts:

- Include the part number, description and desired quantities.
- Include your complete address.
- Specify how the parts are to be delivered.



TABLE OF CONTENTS

OQ 60-5

1.0 - QUICK COUPLER

1.1 - OQ4122019 - OQ60-5 - COUPLER	4
--	---

2.0 - INSTALL COMPONENTS

2.1 - HOSE CLAMPS	7
2.1.1 - OQ4119580 - HOSE CLAMP 3/4"	7
2.1.2 - OQ4119423 - HOSE CLAMP 3/4" + 1/2"	8
2.1.3 - OQ4124041 - HOSE CLAMP 3/4" + 2" x 1/2"	9
2.1.4 - OQ4119458 - HOSE CLAMP SPACER KIT	10
2.2 - OQ5180018 - GUIDE BLOCK MANIFOLD	12

3.0 - LOCK SUPPORT

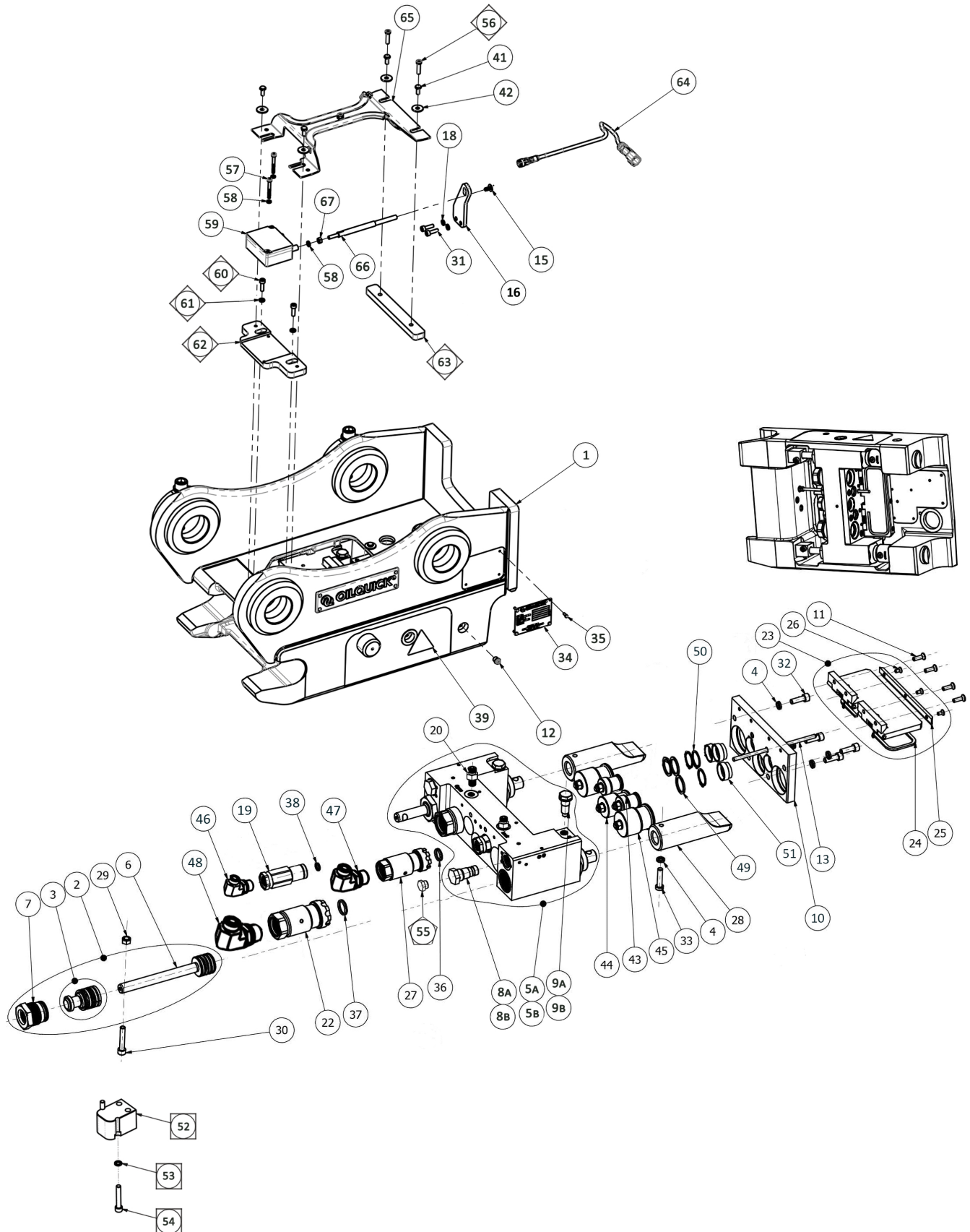
3.1 - OQ5190261 - OQLS 2.0 INSTALLATION KIT	14
3.2 - OQ5190267 - STICK UNIT KIT OQLS 2.0 12M	16
3.3 - OQ5190341 - OQ60 OQLS 2.0 SENSOR KIT	18
3.4 - OQ4120613 - LOCK VALVE	20
3.5 - OQ4123124 - DEPRESSURIZATION VALVE	22
3.6 - OQ5110981 - FIRST AID KIT OQ60	23

4.0 - ATTACHMENT FRAMES

4.1 - OQ4120600 - D-FRAME	24
4.2 - OQ4122018 - C-FRAME	26
4.3 - OQ4118854 - SPLIT BLOCKS	30
4.4 - OQE051111 - MECHANICAL FRAME	33

1.0 - COUPLER

1.1 - OQ4122019 - OQ60-5 - COUPLER



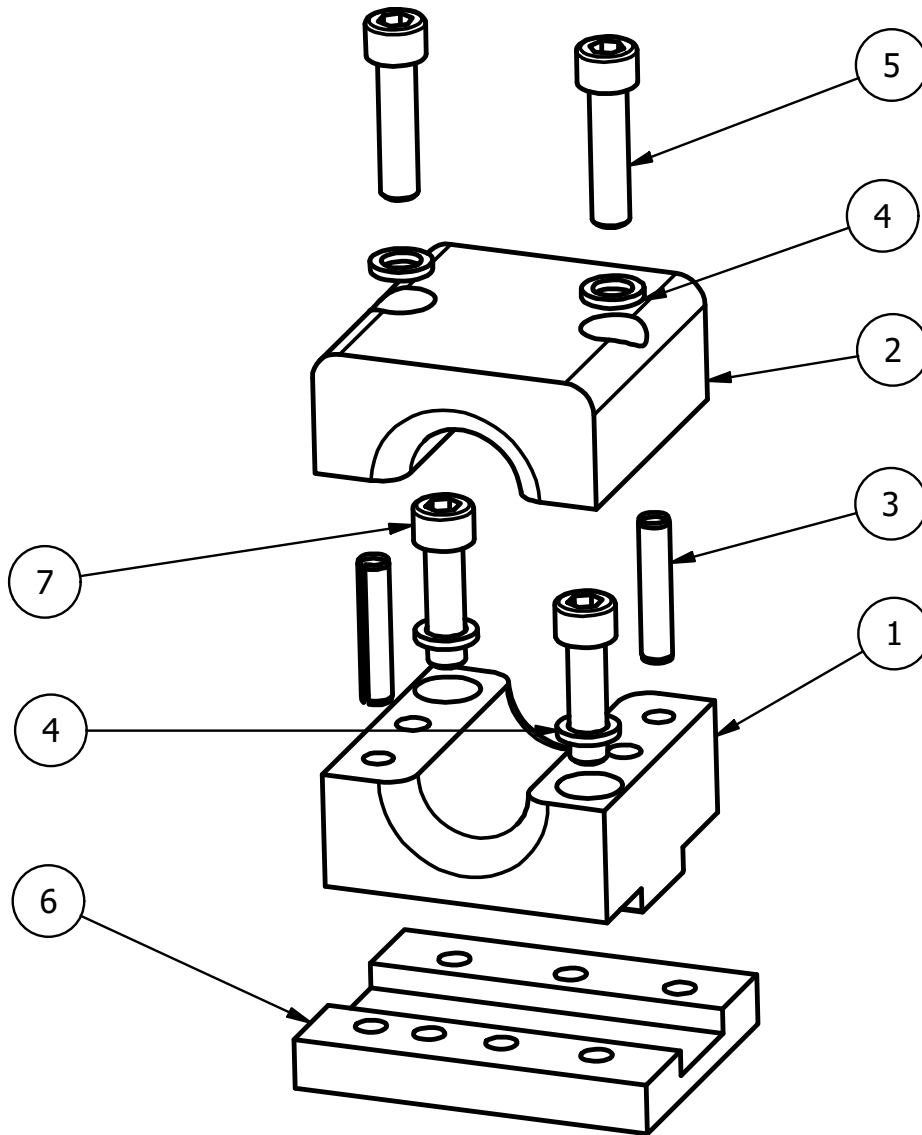
ITEM	PN#	NAME	QTY	UOM
1	OQ411xxxx	CHASSIS OQ60-5	1	EA
2	OQ4115529	PISTON ROD H-cyl. OQ60 COMPL.	2	EA
3	OQ7020225	SEAL KIT H-cyl. OQ60	1	EA
4	OQ7072021	WASHER NORDLOCK M8	6	EA
5	OQ4117996	H-CYLINDER OQ60-5	1	EA
6	OQ4115527	PISTON ROD H-CYL. OQ60 T=50	2	EA
7	OQ4115528	PISTON GUIDE	2	EA
8	OQ7009012	CHECK VALVE 4CK30-I-S3-A9	2	EA
9	OQ7008004	PRESSURE RELIEF VALVE	2	EA
10	OQ4122005	GUIDE PLATE	1	EA
11	OQ7060091	SCREW MF6S M6x20 10.9	4	EA
12	OQ7205005	FTG-ZERK M10 X 1.5	4	EA
13	OQ4110066	OPENING BAR OQ45-OQ60, OQL210	1	EA
14	OQ7065010	NUT M6M M 6 FZB	2	EA
15	OQ7065021	LOCKING NUT M6 NYLOCK	2	EA
16	OQ4110552	INDICATOR BRACKET OQ60, OQ60-5	1	EA
17	OQ4110551	INDICATOR ROD OQ45-OQ60	1	EA
18	OQ7072020	WASHER NORDLOCK M6	2	EA
19	OQ4118780	HYDRAULIC COUPLING 3/8", FEMALE OQ45-5	2	EA
20	OQ7200000	NIPPLE ORFS04 UF-M12x1,5 UF ED	2	EA
21	OQ7072030	WASHER M6 - 12.0 X 1.5 Z	1	EA
22	OQ4118524	HYDRAULIC COUPLING 3/4", M27 FEMALE	2	EA
23	OQ4118032	DIRT GUARD OQ60-5	1	EA
24	OQ4115211	RUBBER SEAL, DIRT GUARD	1	EA
25	OQ4118031	GUIDE	1	EA
26	OQ7060136	SCREW MF6S M5x10 10.9	3	EA
27	OQ4118550	HYDRAULIC COUPLING 1/2", M22 FEMALE	1	EA
28	OQ4115563	LOCKING PLUNGER OQ60	2	EA
29	OQ7065001	NUT M6M M8 NYLOCK	2	EA

ITEM	PN#	NAME	QTY	UOM
30	OQ7060102	SCREW MC6S M8 - 1.25 x 45	2	EA
31	OQ7060082	SCREW M6S M6x14 8.8 FZB	2	EA
32	OQ7060094	SH CS M8 - 1.25 X 25 Z_12.9	4	EA
33	OQ7060175	Screw MC6LS M8 - 1.25 x 35 10.9 OBH	2	EA
34	OQE04743	OILQUICK IDENTIFACTION PLATE SERIAL TAG	1	EA
35	OQ7093007	RIVET POP 3.2 x12.3 ALUMINUM	4	EA
36	OQ7020130	NOSE SEAL 1/2"	1	EA
37	OQ7020131	NOSE SEAL 3/4"	2	EA
38	OQ7020270	NOSE SEAL 3/8"	2	EA
39	OQ7410059	PINCH DECAL	2	EA
40	OQ4133981	COVER PLATE	1	EA
41	OQ7060082	SCREW M6S M6x14 8.8 FZB	4	EA
42	OQ7072029	WASHER FNDR M6 - 28.0 Z	4	EA
43	OQ4121140	POLY ADAPTER 1/4"+3/8" H-CYLINDER	2	EA
44	OQ4121137	POLY ADAPTER 1/2", H-CYLINDER	1	EA
45	OQ7410059	PINCH DECAL	2	EA
46	OQ7200409	ELBOW ORFS06 UF-G3/8" UF 90° adj	1	EA
47	OQ7200227	ELBOW ORFS08 UF-M22x1,5 UF 90° adj	1	EA
48	OQ7200228	ELBOW ORFS12 UF-M27x2 UF 90° adj	1	EA
49	OQ4121984	WASHER SUPPORT 0.875 - 1.18 X 0.08 P	1	EA
50	OQ7170026	CIRCLIP SGA 24	1	EA
51	OQ4121997	ADAPTER RING 3/8", GUIDE PLATE	1	EA

2.0 - INSTALL COMPONENTS

2.1 - HOSE CLAMPS

2.1.1 - OQ4119580 - HOSE CLAMP 3/4"

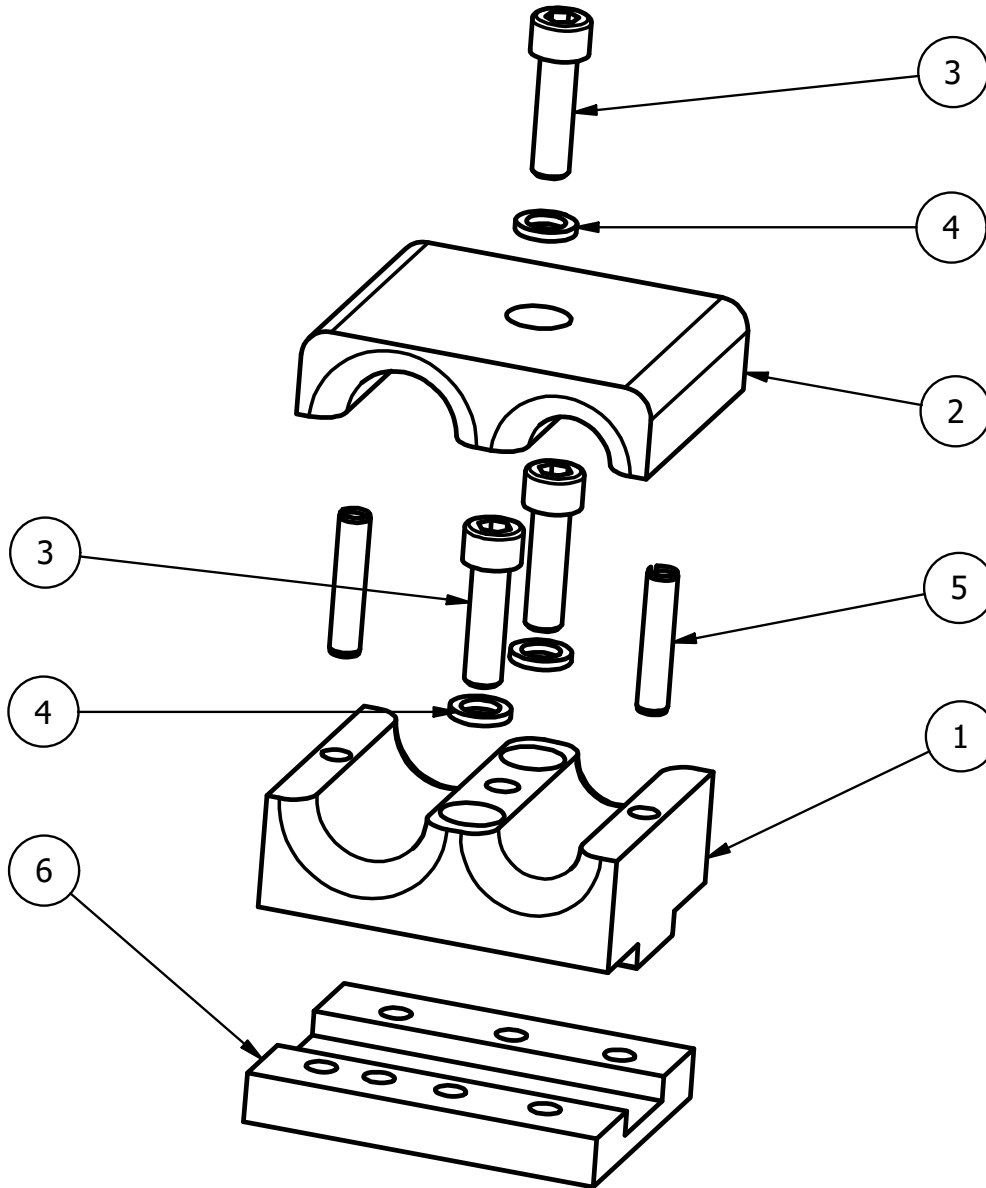


ITEM	PN#	NAME	QTY	UOM
1	OQ4119579	LOWER HOSE CLAMP 3/4"	1	EA
2	OQ4119578	UPPER HOSE CLAMP 3/4"	1	EA
3	OQ7089026	RESILIENT PIPE PIN FRP DIN 1481 8X40	2	EA
4	50-00682	WASHER NORDLOCK M10 - 16.6 X 2.5 1244	4	EA
5	OQ7060110	SCREW MC6S M10x40 12.9	2	EA
6	OQ4119391	WELD PLATE, HOSE CLAMP	1	EA
7	OQ7060099	SH CS M10 - 1.50 X 35 Z_8.8	2	EA

2.0 - INSTALL COMPONENTS

2.1 - HOSE CLAMPS

2.1.2 - OQ4119423 - HOSE CLAMP 3/4" + 1/2"

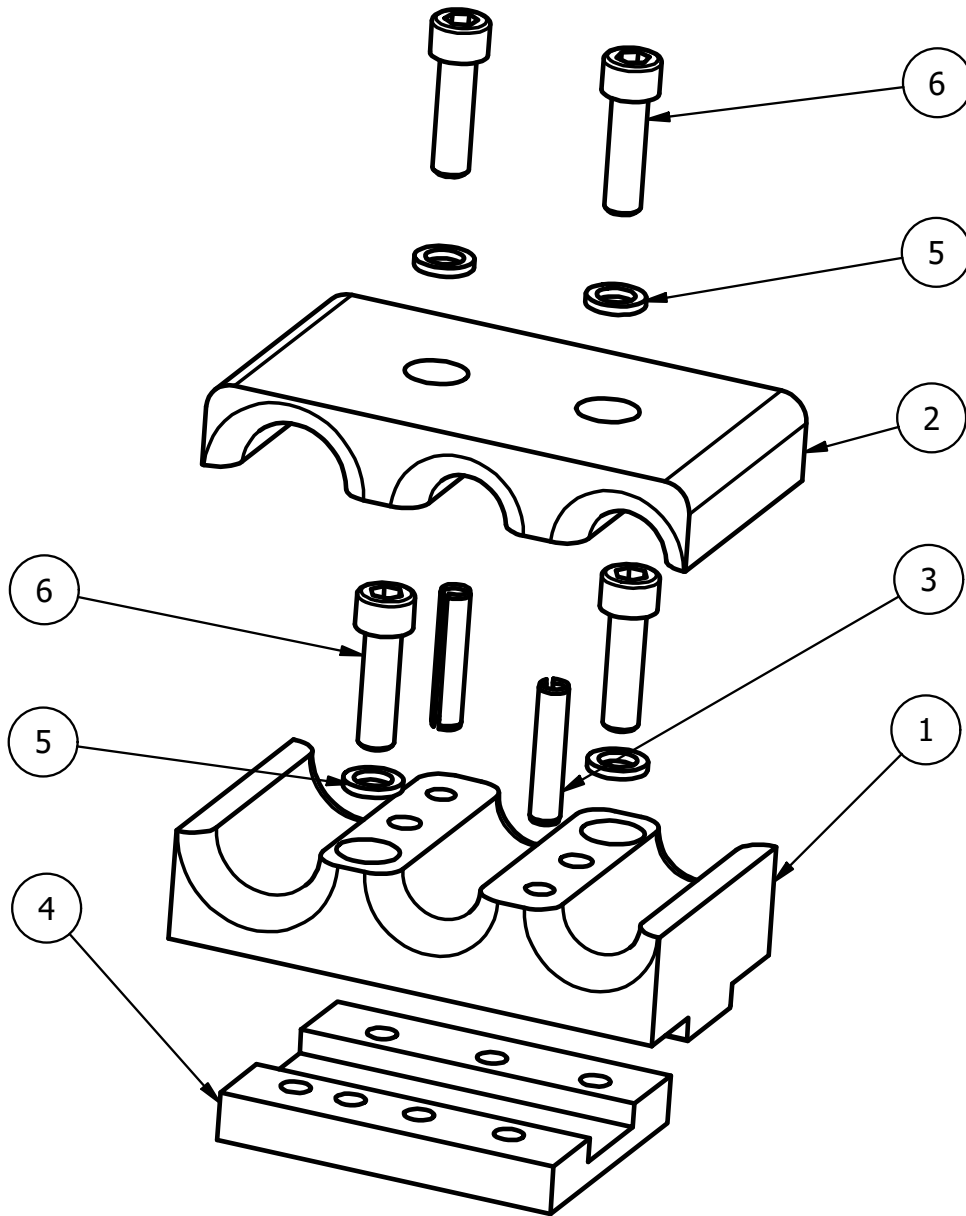


ITEM	PN#	NAME	QTY	UOM
1	OQ4119425	LOWER HOSE CLAMP 1/2" + 3/4"	1	EA
2	OQ4119424	UPPER HOSE CLAMP 1/2" + 3/4"	1	EA
3	OQ7060099	SCREW MC6S 10X35	3	EA
4	50-00682	WASHER NORDLOCK M10 - 16.6 X 2.5 1244	3	EA
5	OQ7089026	RESILIENT PIPE PIN FRP DIN 1481 8X40	2	EA
6	OQ4119391	WELDING PLATE	1	EA

2.0 - INSTALL COMPONENTS

2.1 - HOSE CLAMPS

2.1.3 - OQ4124041 - HOSE CLAMP 3/4" + 2" + 1/2"

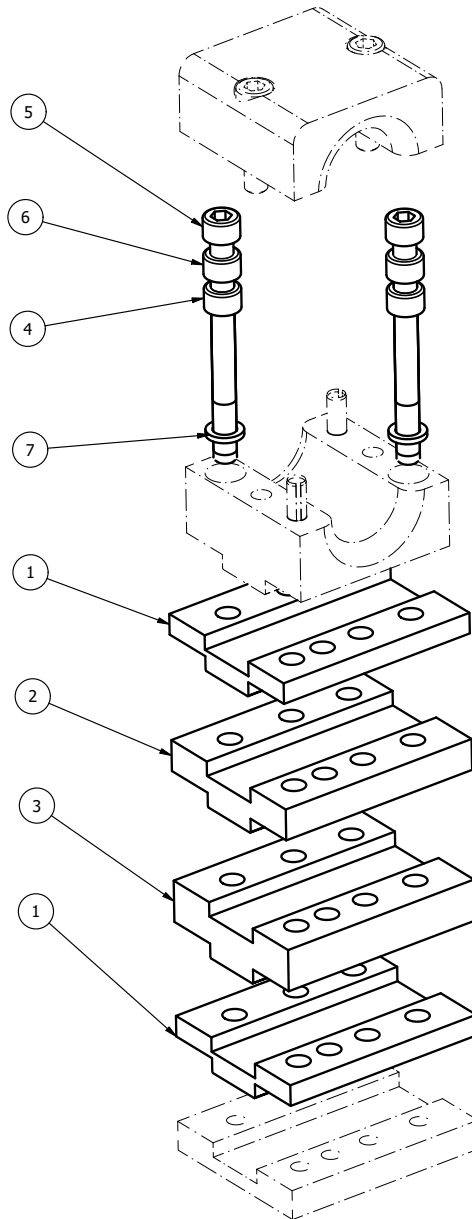


ITEM	PN#	NAME	QTY	UOM
1	OQ4124043	LOWER HOSE CLAMP 1/2" + 3/4"	1	EA
2	OQ4124042	UPPER HOSE CLAMP 1/2" + 3/4"	1	EA
3	OQ7089026	RESILIENT PIPE PIN FRP DIN 1481 8X40	2	EA
4	OQ4119391	WELDING PLATE, HOSE CLAMP	1	EA
5	50-00682	WASHER NORDLOCK M10 - 16.6 X 2.5 1244	4	EA
6	OQ7060099	SCREW MC6S 10X35	4	EA

2.0 - INSTALL COMPONENTS

2.1 - HOSE CLAMPS

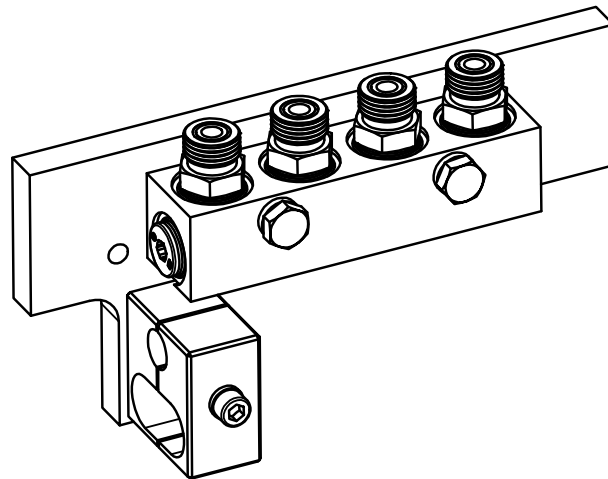
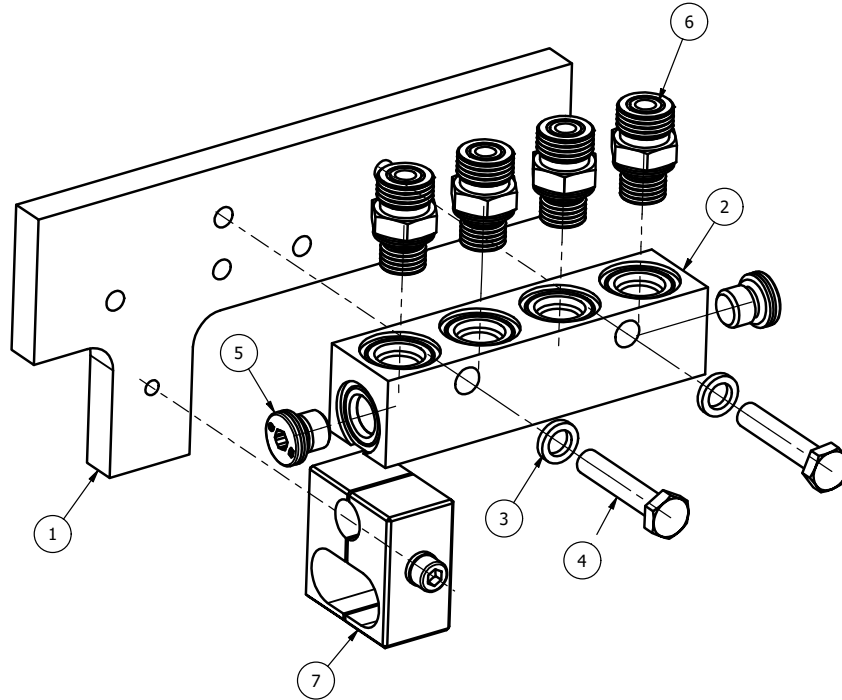
2.1.4 - OQ4119458 - HOSE CLAMP SPACER KIT



ITEM	PN#	NAME	QTY	UOM
1	OQ4119392	SPACER 10MM, HOSE CLAMP	2	EA
2	OQ4119393	SPACER 15MM, HOSE CLAMP	1	EA
3	OQ4119459	SPACER 20MM, HOSE CLAMP	1	EA
4	OQ7060146	SCREW MC6S M10x70 12,9	2	EA
5	OQ7060205	SCREW MC6S M10x80 12.9	2	EA
6	OQ7060177	SHCS MC6S M10-1.50 x90 12.9	2	EA
7	50-00682	WASHER NORDLOCK M10 - 16.6 X 2.5 1244	2	EA

2.0 - INSTALL COMPONENTS

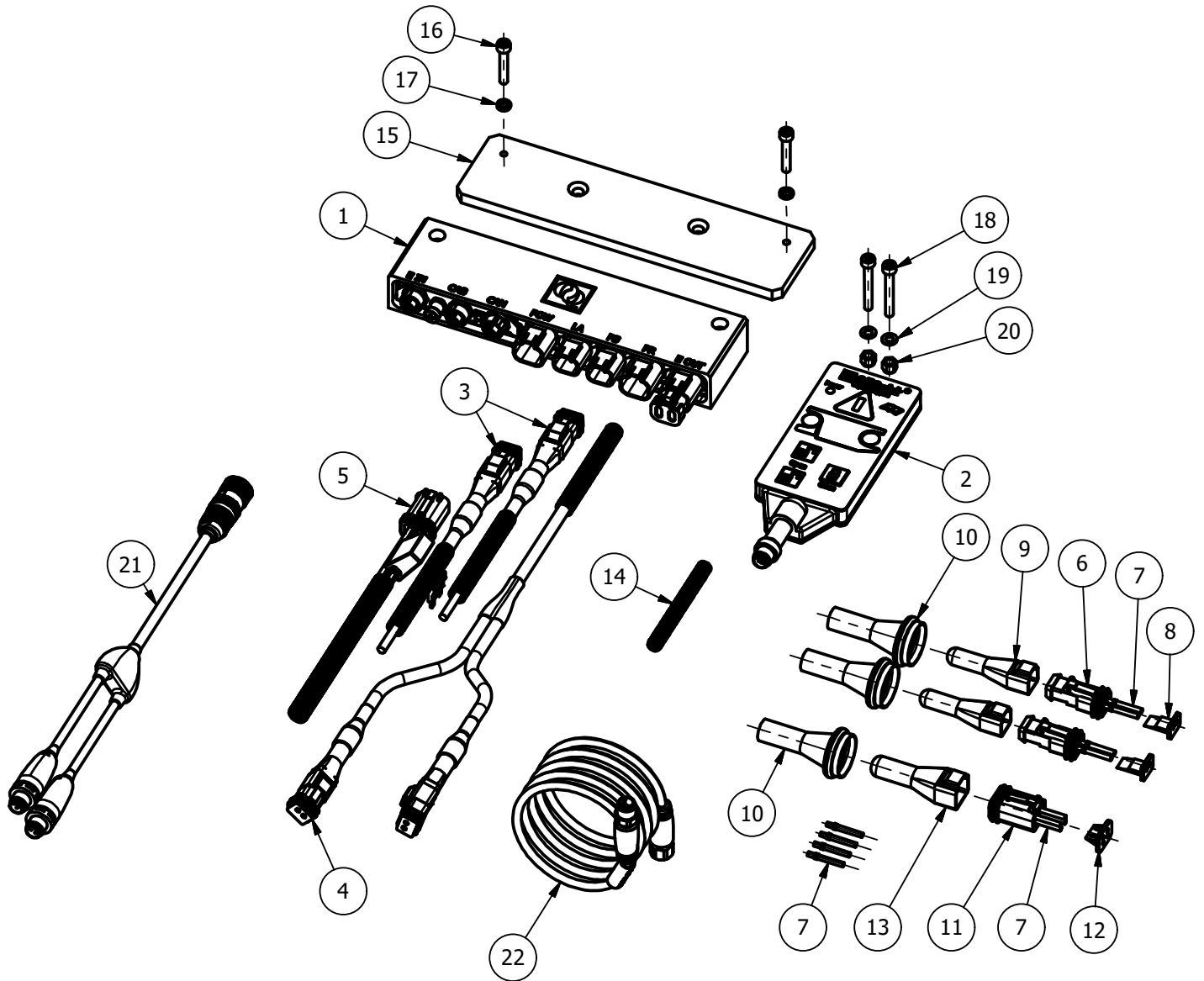
2.2 - OQ5180018 - GUIDE BLOCK MANIFOLD



ITEM	PN#	NAME	QTY	UOM
1	OQ4115481	BRACKET, LOCKING CIRCUIT	1	EA
2	OQ4115477	COUPLING KIT 1/2" OQ70-90 NO BLOCK	1	EA
3	OQ7072021	HYDR. BLOCK, LOCKING FUNCTION	2	EA
4	OQ7060005	SCREW M6S 8X40	2	EA
5	OQ7200208	PLUG VSTI M12X1.5	2	EA
6	OQ7200213	NIPPLE ORFS06 UF-M14x1,5 UF	4	EA
7	OQ5180161	CABLE CLAMP KIT - 13MM + 2X18MM	1	EA

3.0 - LOCK SUPPORT

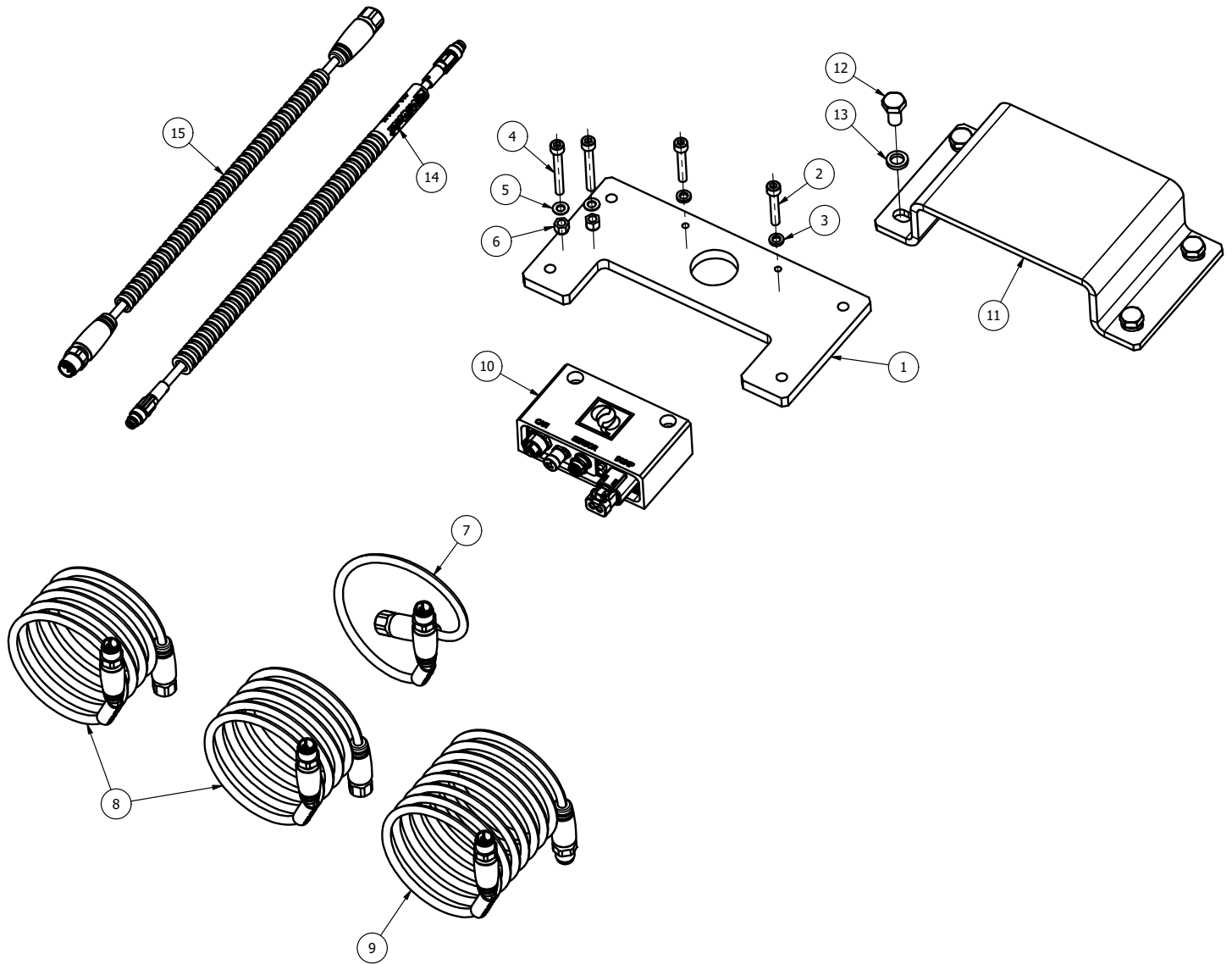
3.1 - OQ5190261 - OQLS 2.0 INSTALLATION KIT



ITEM	PN#	NAME	QTY	UOM
1	OQ4131663	MASTER UNIT - OQLS 2.0 (SINGLE PRESS)	1	EA
2	OQ4126332	OQLS CABIN PANEL GEN 2 (NEW)	1	EA
3	OQ4121394	CABLE SET OQLS (PB/LOCK/PRESSURE)	2	EA
4	OQ4121393	CABLE DEPRESSURIZATION VALVE OQ80	1	EA
5	OQ4123140	CABLE POWER OQLS OQ, TLE	1	EA
6	30-00428	CONNECTOR PLUG DT06-2S-P012	2	EA
7	30-00348	CONNECTOR DEUTSCH SOCKET #16-14	12	EA
8	30-00337	CONNECTOR WEDGE W2S	2	EA
9	OQ7034133	PROTECTIVE HOOD DT2S-BT	2	EA
10	30-00697	1" X 48" BLK ADHESIVE LINED HEAT SHRINK	3	EA
11	30-00332	CONNECTOR PLUG DT06-4S	1	EA
12	30-00338	CONNECTOR WEDGE W4S	2	EA
13	OQ7034131	PROTECTIVE HOOD DT4S-BT	1	EA
14	OQ7034140	SPLIT LOOM	1	EA
15	OQ4124026	MOUNTING PLATE - MASTER UNIT	1	EA
16	OQ7060153	SCREW MC6S M5x30 12.9	2	EA
17	OQ7072033	WASHER NORDLOCK M5 - 9.0 X 1.8	2	EA
18	50-01095	SH CS M5 - 0.8 X 40 Z_12.9	2	EA
19	50-00422	WASHER M5 - 10.0 X 1.0 Z_H	2	EA
20	50-01096	NUT NYLOCK M5 - 0.8 Z_	2	EA
21	OQ7033002	CABLE - OQLS PANEL 6M (19' 6" LG)	1	EA
22	OQ7033073	CABLE - EXTENSION, CAB =2,0M M-F	1	EA

3.0 - LOCK SUPPORT

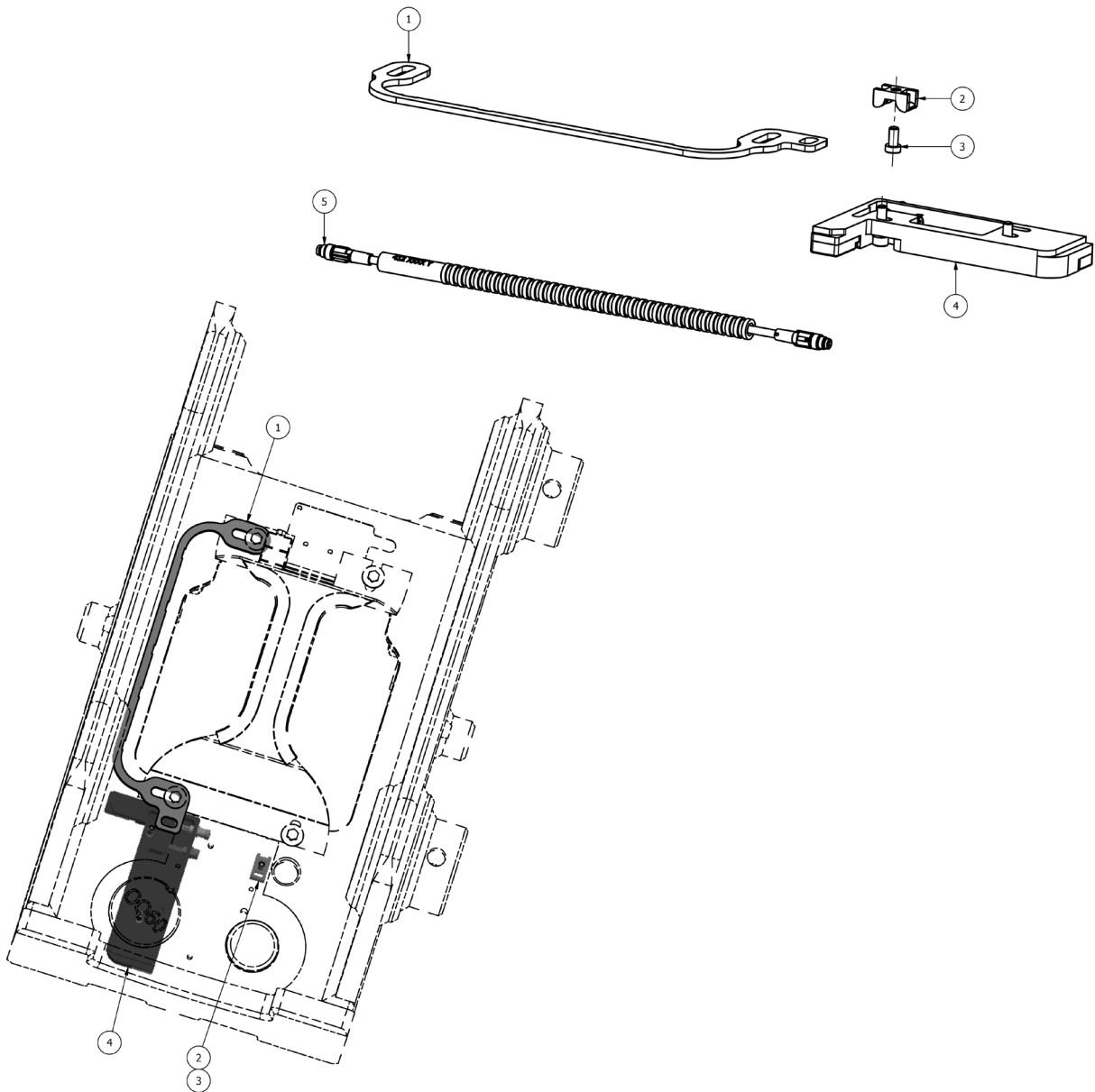
3.2 - OQ5190267 - STICK UNIT KIT OQLS 2.0 12M



ITEM	PN#	NAME	QTY	UOM
1	OQ4130698	WELD PLATE - STICK UNIT OQLS 2.0	1	EA
2	OQ7060153	SCREW MC6S M5x30 12.9	2	EA
3	OQ7072033	WASHER NORDLOCK M5 - 9.0 X 1.8	2	EA
4	50-01095	SH CS M5 - 0.8 X 40 Z_12.9	2	EA
5	50-00422	WASHER M5 - 10.0 X 1.0 Z_H	2	EA
6	50-01096	NUT NYLOCK M5 - 0.8 Z_	2	EA
7	OQ7033068	CABLE - OQLS EXTENSION, BOOM L=0,5M M-F	1	EA
8	OQ7033070	CABLE - OQLS EXTENSION, BOOM L=2,0M M-F	2	EA
9	OQ7033061	CABLE-OQLS CANBUS L=12M M12 M-M (39'4")	1	EA
10	OQ4131384	STICK UNIT - OQLS 2.0	1	EA
11	OQ4130699	PROTECTION COVER - STICK UNIT OQLS 2.0	1	EA
12	OQ7060004	SCREW M6S M8 - 1.25 x 16 8.8 FZB	4	EA
13	50-00773	WASHER NORDLOCK M8 - 13.5 X 2.5 1231	4	EA
14	OQ5190231	CABLE - SENSOR OQLS 2.0 3M	1	EA
15	OQ7033095	EXTENSION CABLE - OQLS 2.0 1M M/F M8	1	EA

3.0 - LOCK SUPPORT

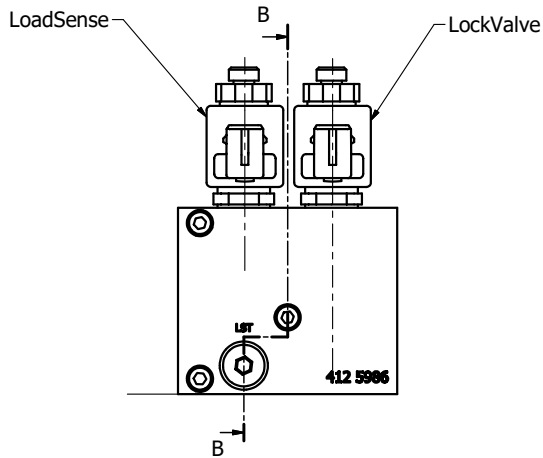
3.3 - OQ5190341 - OQ60 OQLS 2.0 SENSOR KIT



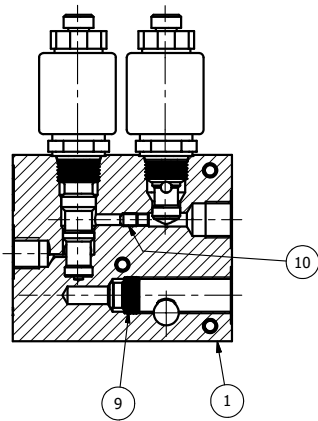
ITEM	PN#	NAME	QTY	UOM
1	OQ4133131	MOUNTING PLATE OQLS 2.0 OQ60	1	EA
2	OQ7087000	CABLE RETAINER	1	EA
3	OQ7060285	SH CS M6 -1.00 X 12 Z_12.9 LOW PROFILE	1	EA
4	OQ4130966	REAR SENSOR (CHASSIS) OQLS 2.0 OQ60	1	EA
5	OQ5190231	CABLE - SENSOR OQLS 2.0 3M	1	EA

3.0 - LOCK SUPPORT

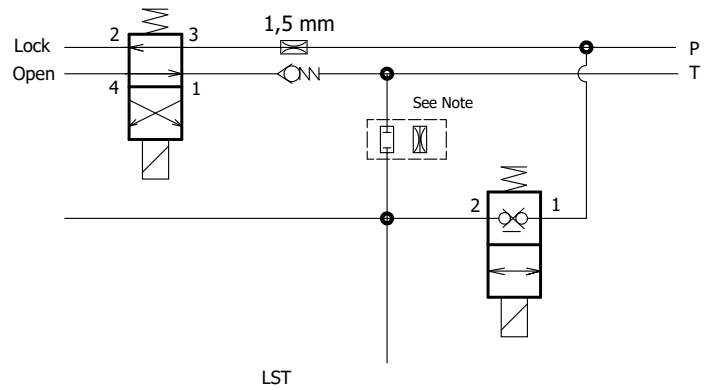
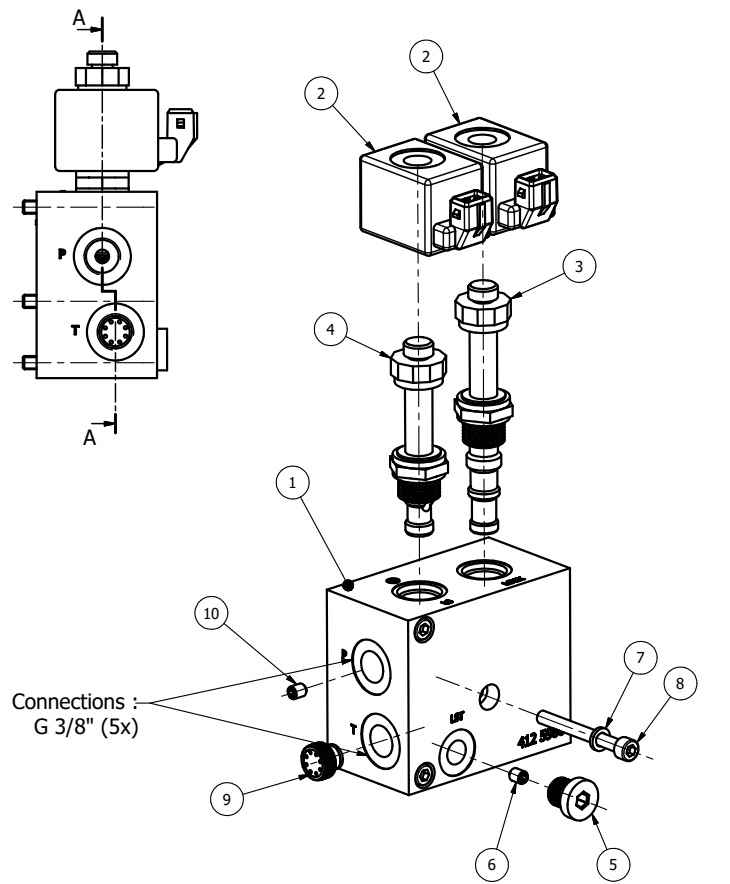
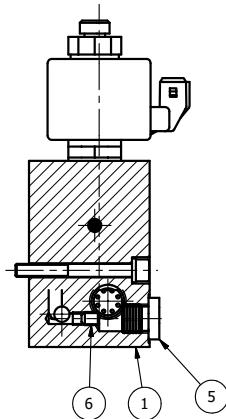
3.4 - OQ4120613 - LOCK VALVE



A-A



B-B



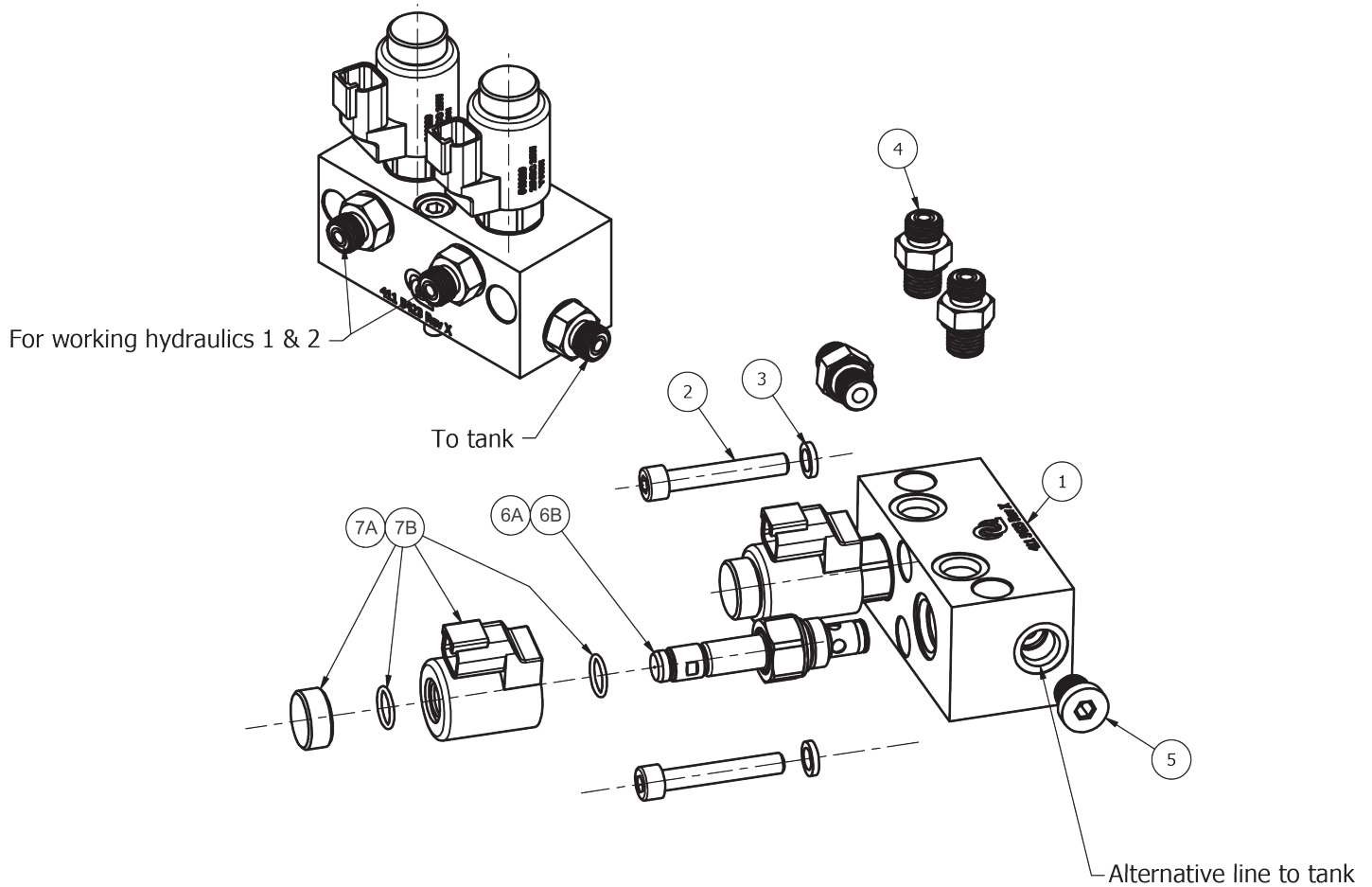
Via the plug LST, the stop screw can be removed and replaced with an M6 throttle. This may be necessary for the LS signal to function correctly.

Hydraulic components Cleanliness requirements according to OQ 600 0109

ITEM	PN#	NAME	QTY	UOM
1	OQ4125986	LOCK - POWERBOOST VALVE BLOCK	1	EA
2	OQ7005057	SOLENOID 24V LOCK-POWER BOOST VALVE	2	EA
3	OQ7005053	VALVE CARTRIDGE 6/2 (LOCKING SIDE)	1	EA
4	OQ7005054	VALVE CARTRIDGE 2/2 (POWERBOOST SIDE)	1	EA
5	OQ7200283	PLUG G1/4" ED	1	EA
6	OQ7060011	SCREW SK6SS M6x8	1	EA
7	50-00905	WASHER NORDLOCK M6 - 10.8 X 1.8 1519	3	EA
8	OQ7060076	SCREW MC6S M6x55 12.9	3	EA
9	OQ7009024	LOCK - POWER BOOST CHECK VALVE	1	EA
10	OQ4125987	M6 ORIFICE (1.5MM)	1	EA

3.0 - LOCK SUPPORT

3.5 - OQ4123124 - DEPRESSURIZATION VALVE



ITEM	PN#	NAME	QTY	UOM
1	OQ4115423	HYDRAULIC BLOCK, DEPRESSURIZING KIT	1	EA
2	OQ7060056	SCREW MC6S M8 - 1.25 x 80 12.9	2	EA
3	OQ7072021	WASHER NORDLOCK M8	2	EA
4	OQ7200207	NIPPLE ORFS04 UF-M14x1.5 UF	3	EA
5	OQ7200214	PLUG M14x1,5	2	EA
6A	OQ7005082	VALVE CARTRIDGE 2/2	2	EA
6B	OQ7005069	VALVE CARTRIDGE 2/2 PRV PARKER	2	EA
7A	OQ7005083	SOLENOID 28V, DT, DEPRESSURIZING (ROUND)	2	EA
7B	OQ7005070	SOLENOID 28V, DT, DEPRESSURIZING (SQUARE)	2	EA

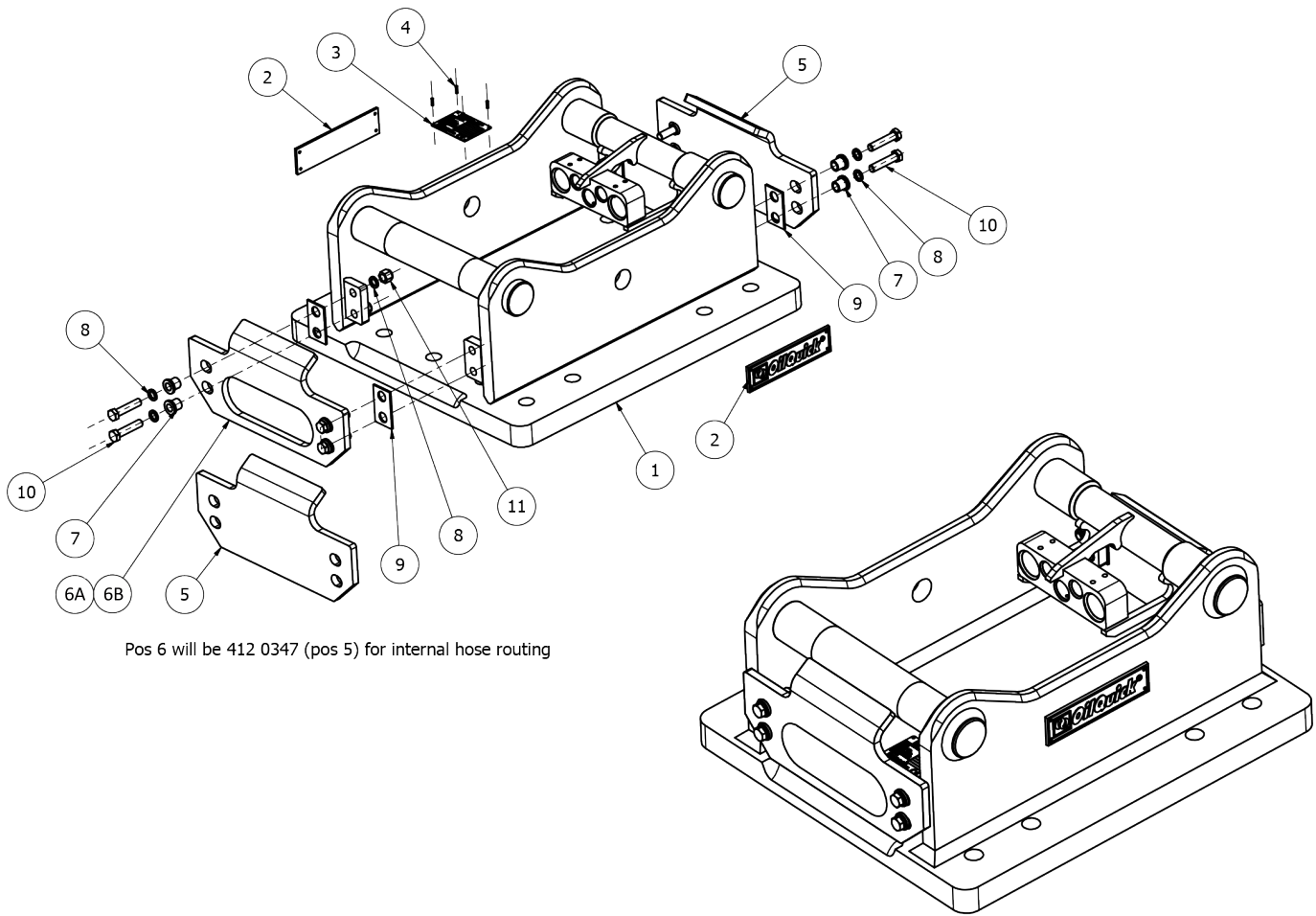
3.0 - LOCK SUPPORT

3.6 - OQ5110981 - FIRST AID KIT OQ60

ITEM	PN#	NAME	QTY	UOM
1	OQ7020130	NOSE SEAL 1/2"	4	EA
2	OQ7020131	NOSE SEAL 3/4"	4	EA
3	OQ4112220	PUSHER 1/2"	1	EA
4	OQ4112221	PUSHER 3/4"	1	EA
5	OQ4116298	MOUNTING TOOL 1/2"	1	EA
6	OQ4116296	MOUNTING TOOL 3/4"	1	EA
7	OQ7410094	DECAL FIRST AID KIT	1	EA
8	OQ7406065	FIRST AID KIT BOX	1	EA

4.0 - ATTACHMENT FRAME

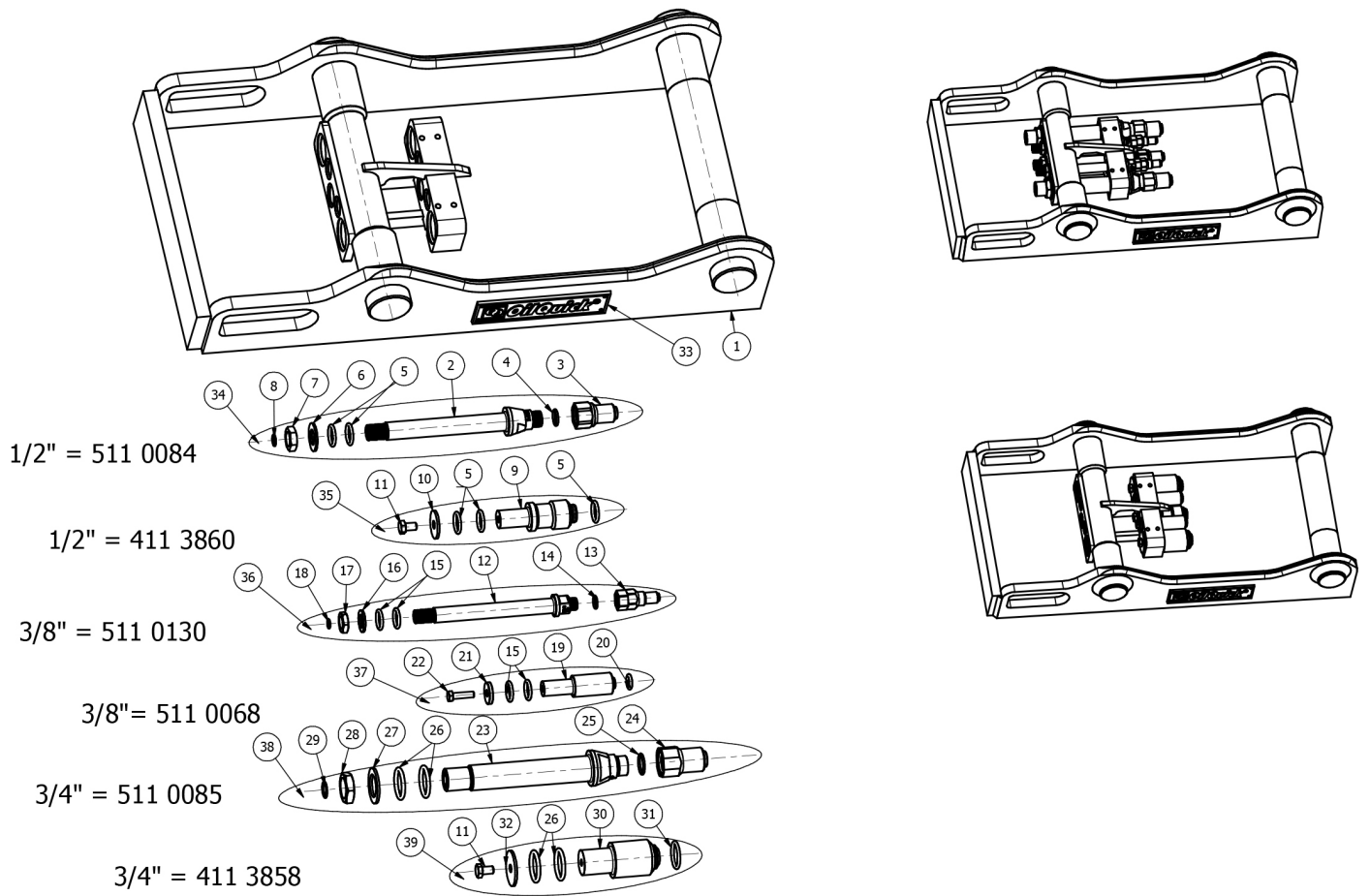
4.1 - OQ4120600 - D-FRAME



ITEM	PN#	NAME	QTY	UOM
1	OQ411XXXX	ATTACHMENT BRACKET	1	EA
2	OQ4116145	EMBLEM - OILQUICK - OQ45-OQ65	2	EA
3	OQ4118161	OILQUICK IDENTIFACTION PLATE SERIAL TAG	1	EA
4	OQ7093007	RIVET POP 3.2 x12.3 ALUMINUM	4	EA
5	OQ4120347	PROTECTION PLATE - OQ60 SOLID	2	EA
6A	OQ4120346	PROTECTION PLATE - OQ60 SOLID	1	EA
6B	OQE05116	PROTECTION PLATE - OQ60 CUTOUT	1	EA
7	OQ4120324	SLEEVE - PROTECTION PLATE TOOL ADAPT	8	EA
8	OQ7072007	WASHER NORDLOCK M12-19.5 X 2.5 1262	16	EA
9	OQ4120567	RUBBER SPACER OQ60-70/55	4	EA
10	OQ7060217	HH CS M12 x 55 8.8_FZB	8	EA
11	OQ7065005	NUT- M12 NYLOCK	8	EA

4.0 - ATTACHMENT FRAME

4.2 - OQ4122018 - C-FRAME



ITEM	PN#	NAME	QTY	UOM
1	OQ4118697	OQ60-5 C-FRAME - BLANK	1	EA
2	OQ4113767	BULKHEAD 1/2"ILONGOQ60-5	1	EA
3	OQ7206017	HYDRAULIC COUPLING 1/2", MALE	1	EA
4	OQ7160048	O-RING 17,6x2,62 NBR70	1	EA
5	OQ7160031	RUBBER RING 22x4	3	EA
6	OQ4112316	WASHER 0.750 - 1.49 X 0.12 P	1	EA
7	OQ4112399	NUT 13/16"-16UN, T=9	1	EA
8	OQ4110045	O-RING	1	EA
9	OQ4113859	POLY ADAPTER 1/2"	1	EA
10	OQ4112660	WASHER 1/2"	1	EA
11	OQ7060118	SCREW	3	EA
12	OQ4118758	BULKHEAD 3/8"	2	EA
13	OQ4118750	HYDRAULIC COUPLING 3/8", MALE	2	EA
14	OQ7160058	O-RING 13.3x2.4 NBR90	2	EA
15	OQ7160077	O-RING 20x4 NBR70	4	EA
16	OQ4114030	WASHER 0.625 X 1.16 - 0.10 Z	2	EA
17	OQ7065043	NUT 11/16"-16 UN	2	EA
18	OQ7160078	O-RING 9,25x1,78 NBR70	2	EA
19	OQ4118113	POLY ADAPTER 3/8"	2	EA
20	OQ7160079	O-RING Ø13x4 NBR70	2	EA
21	OQ4114173	WASHER 1/4"	2	EA
22	OQ7060108	HH CS M8 - 1.25 x 30	2	EA
23	OQ4113768	BULKHEAD 3/4" LONG OQ60-5	2	EA
24	OQ7206019	HYDRAULIC COUPLING 3/4", MALE	2	EA
25	OQ7160049	O-RING 23,47x2,62 NBR70	2	EA
26	OQ7160043	O-RING 34x5 NBR 70	4	EA
27	OQ4112315	WASHER 1.188 - 1.88 X 0.12 P	2	EA
28	OQ4112398	NUT 1 3/16"-12UN, T=10,5	2	EA
29	OQ7160046	O-RING-018 -12MO (18,77x1,78) NBR 90D	2	EA

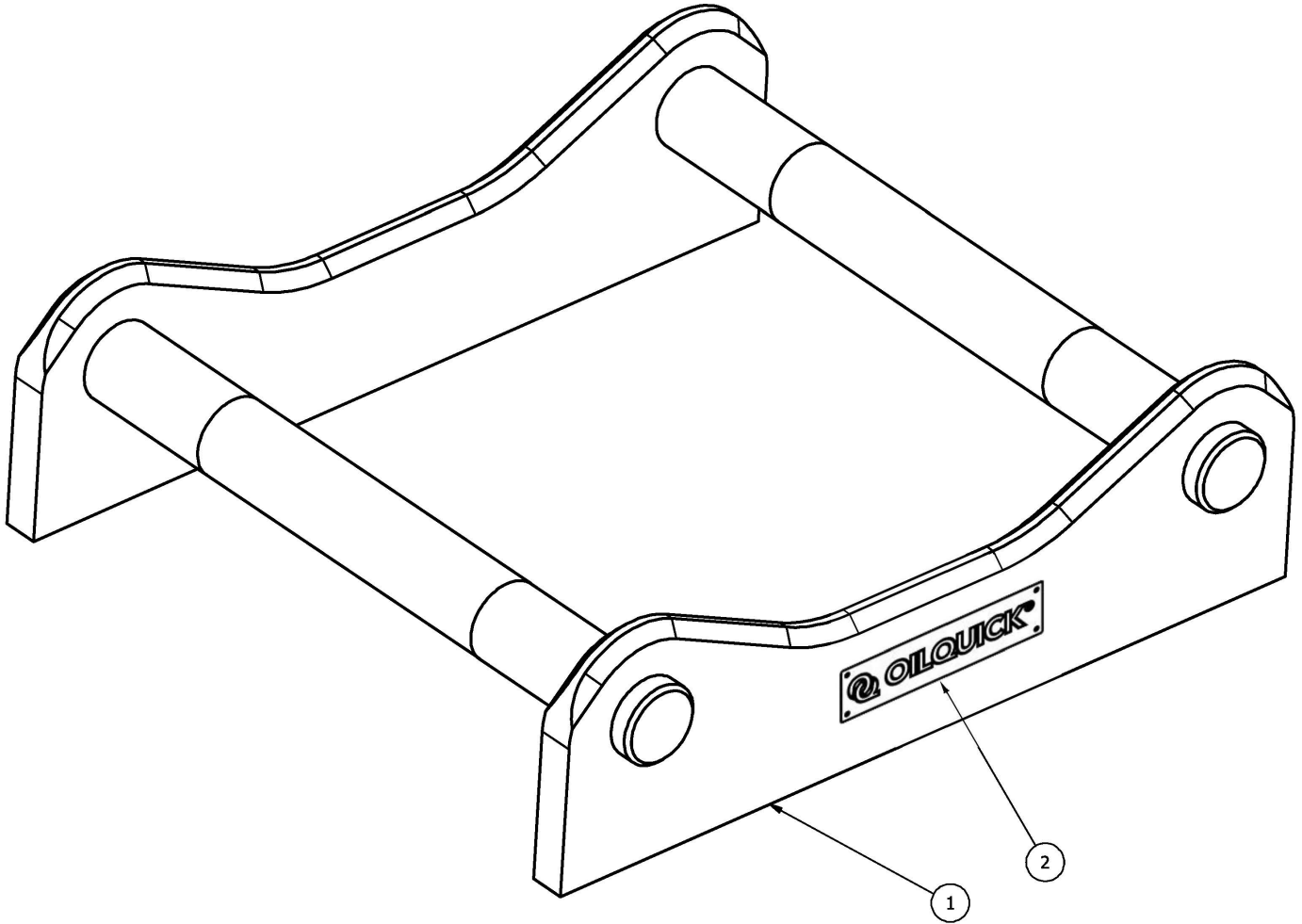
ITEM	PN#	NAME	QTY	UOM
30	OQ4113857	POLY ADAPTER 3/4"	2	EA
31	OQ7160032	RUBBER RING 30x4	2	EA
32	OQ4112659	WASHER 3/4"	2	EA
33	OQ4116145	EMBLEM - OILQUICK - OQ45-OQ65	2	EA
34	OQ5110084	COUPLING KIT 1/2" LONG OQ60	1	EA
35	OQ4113860	POLY ADAPTER 1/2" OQ60-OQ65	1	EA
36	OQ5110130	COUPLING KIT 3/8" LONG OQ60-5	2	EA
37	OQ5110068	POLY ADAPTER 1/4" & 3/8" OQ60-5	2	EA
38	OQ5110085	COUPLING KIT 3/4" LONG OQ60	2	EA
39	OQ4113858	POLY ADAPTER 3/4" OQ65	2	EA

ITEM	PN#	NAME	QTY	UOM
1	OQ411xxxx	TOOL ADAPTER	1	EA
2	OQ4119539	H-CYLINDER OQ45-5	1	EA
3	OQ5110208	HYDR.BLOCK KIT 2x3/4", 2x3/8"	1	EA
4	OQ5110209	HYDR.BLOCK KIT 2x3/4", 1x1/2" split	1	EA
5	OQ5110207	HYDR.BLOCK KIT 2x3/4" SPLIT, OQ60-5	1	EA
6	OQ5110124	COUPLING KIT 3/4" OQ65 BLOCK	2	EA
7	OQ5110123	COUPLING KIT 1/2" OQ65 BLOCK	1	EA
8	OQE04138	COUPLING KIT 3/8" OQ60-5 BLOCK	2	EA
9	OQ7200329	HYDR.BLOCK 2x3/4", 1x1/2", 2x1/4"	1	EA
10	OQ4119690	SPACER, OQ60-5 TOOL ADAPTER	1	EA
11	OQ7072007	WASHER NORDLOCK M12-19.5 X 2.5 1262	2	EA
12	OQ7060132	SCREW MC6S M12x80 12.9	2	EA
13	OQ7200297	NIPPLE 25S-G3/4" UF ED	2	EA
14	OQ7200445	NIPPLE 12L-G3/8" UF ED	2	EA
15	OQ7091009	PLUG - 08 MBSPP -ED	2	EA
16	OQ7060009	PLUG 3/8" ED	4	EA
17	OQ7200328	SPLIT BLOCK OQ60-5 2X3/4", 1x1/2"	1	EA
18	OQ7207009	PLASTIC PLUG, SAE6 FLANGE 3/4"	2	EA
19	OQ7207008	SAE6 FLANGE 3/4"	4	EA
20	OQ7060099	SH CS M10 - 1.50 X 35 Z_8.8	8	EA
21	OQ7150219	HYDRAULIC HOSE/PIPE 3/4"	2	EA
22	OQ4113766	BULKHEAD 3/4" SHORT OQ65	2	EA
23	OQ7206019	HYDRAULIC COUPLING 3/4", MALE	2	EA
24	OQ7160049	O-RING 23,47x2,62 NBR70	2	EA
25	OQ7160043	O-RING 34x5 NBR 70	4	EA
26	OQ4112315	WASHER 1.188 - 1.88 X 0.12 P	2	EA
27	OQ4112398	NUT 1 3/16"-12UN, T=10,5	2	EA
28	OQ7160046	O-RING-018 -12MO (18,77x1,78) NBR 90D	2	EA
29	OQ7150218	HYDRAULIC HOSE 1/2" L=425	1	EA

ITEM	PN#	NAME	QTY	UOM
30	OQ7150218	HYDRAULIC HOSE 1/2" L=425	1	EA
31	OQ4112316	WASHER 0.750 - 1.49 X 0.12 P	1	EA
32	OQ4112399	NUT 13/16"-16UN, T=9	1	EA
33	OQ7206017	HYDRAULIC COUPLING 1/2", MALE	1	EA
34	OQ7160045	O-RING-014 -08MO (12,42x1,78) NBR 90D	1	EA
35	OQ7160031	RUBBER RING 22x4	2	EA
36	OQ7160048	O-RING 17,6x2,62 NBR70 HYDRAULIC	1	EA
37	OQ7150251	HOSE 1/4" L=350 & 3/8"	2	EA
38	OQ4118750	HYDRAULIC COUPLING 3/8", MALE	2	EA
39	OQ4118757	BLKHEAD 3/8" SHORT OQ60-5	2	EA
40	OQ7160058	O-RING 13.3x2.4 NBR90	2	EA
41	OQ7160077	O-RING 20x4 NBR70	4	EA
42	OQ7160078	O-RING 9,25x1,78 NBR70	2	EA
43	OQ4114030	WASHER 0.625 X 1.16 - 0.10 Z	2	EA
44	OQ7065043	NUT 11/16"-16 UN	2	EA

4.0 - ATTACHMENT FRAME

4.4 - OQE05111 - MECHANICAL ATTACHMENT FRAME



ITEM	PN#	NAME	QTY	UOM
1	OQE00119	OQ80R- MECHANICAL ATTACHMENT FRAME	1	EA
2	OQ4116271	EMBLEM - OILQUICK - OQ70-OQ120	2	EA
3	OQE04831	INSTRUCTIONS MECHANICAL ATTACHMENT FRAME	1	EA

Dealer:



OilQuickAmericas
155 Main Street
Superior, WI 54880
Phone: 262.607.8425
Fax: 715.395.3703

E-mail: info@oilquickamericas.com
Web: www.oilquickamericas.com