

Manufacturer:

OilQuickAmericas
155 Main Street
Superior, WI 54880
Phone: 262.607.8425
Fax: 715.395.3703

E-mail: info@oilquickamericas.com
Web: www.oilquickamericas.com

When ordering spare parts:

- Include the part number, description and desired quantities.
- Include your complete address.
- Specify how the parts are to be delivered.



TABLE OF CONTENTS

OQ40-5

1.0 - QUICK COUPLER

1.1 - OQ40-5 COUPLER 4

2.0 - INSTALL COMPONENTS

2.1 - HOSE CLAMPS 7
2.1.1 - OQE05449 - ASSY HOSE CLAMP 1/2" 7
2.1.2 - OQE05455 - ASSY HOSE CLAMP 1/2"+3/8" 8
2.1.3 - OQE05424 - ASSY HOSE CLAMP 1/2"+2x3/8" 9
2.1.4 - OQE05452 - KIT HOSE CLAMP SPACER 2 X 2-5/8 10
2.2 - OQ5180018 - GUIDE BLOCK OQ40,OQ45,OQ60 06MO 12

3.0 - SERVICE COMPONENTS

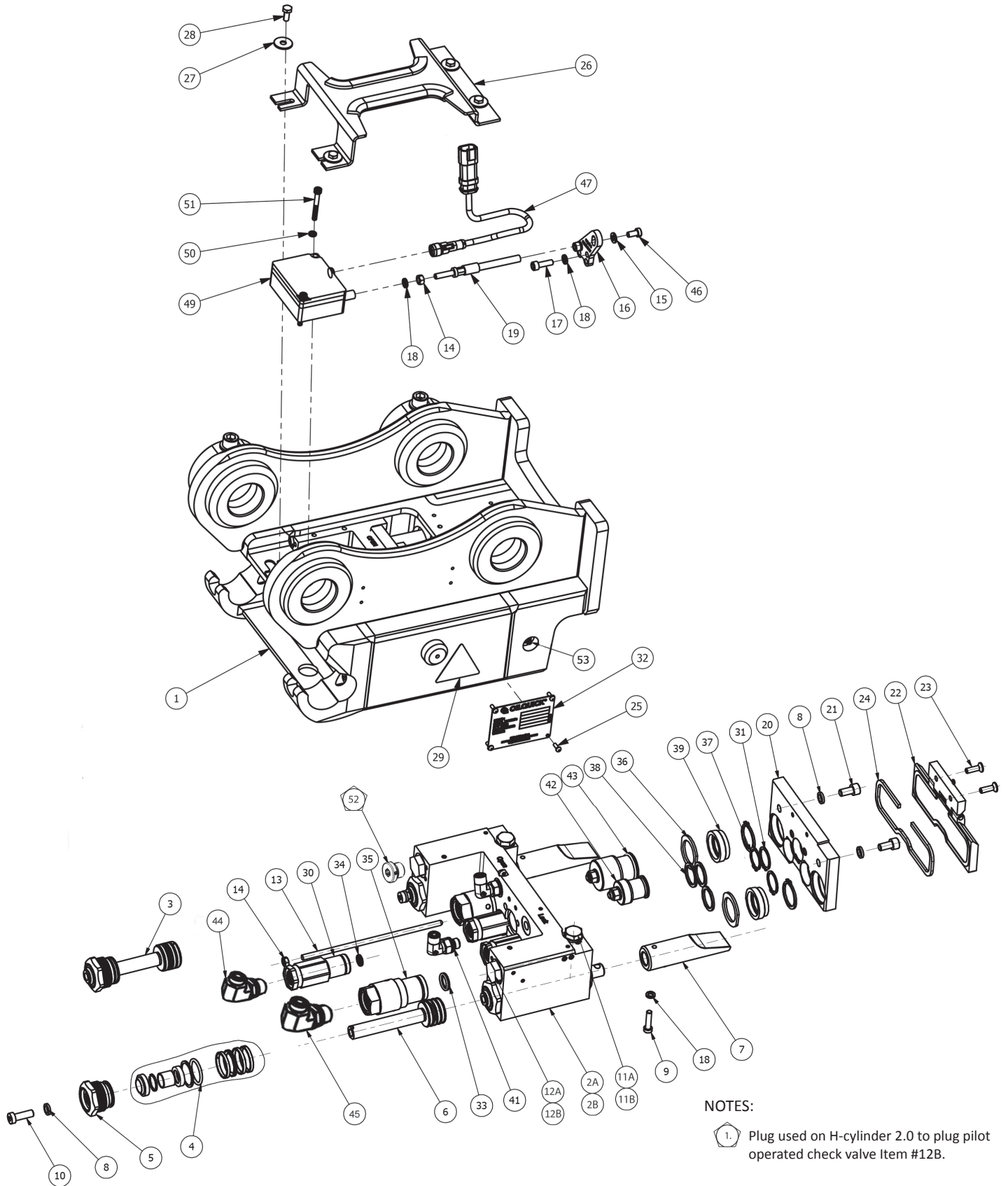
3.1 - OQ5119991 - FIRST AID KIT OQ40 & OQ45-5 14

4.0 - ATTACHMENT FRAMES

4.1 - OQ5205025 - OQ40-5 D-FRAME - BLANK 15
4.2 - OQ4122014 - C-FRAME 16
4.3 - OQ4123712 - SPLIT BLOCKS 18
4.4 - OQE05961 - OQ40-5 MECHANICAL ATTACHMENT FRAME 21

1.0 - COUPLER

1.1 - OQ40-5 COUPLER



NOTES:

- 1. Plug used on H-cylinder 2.0 to plug pilot operated check valve Item #12B.

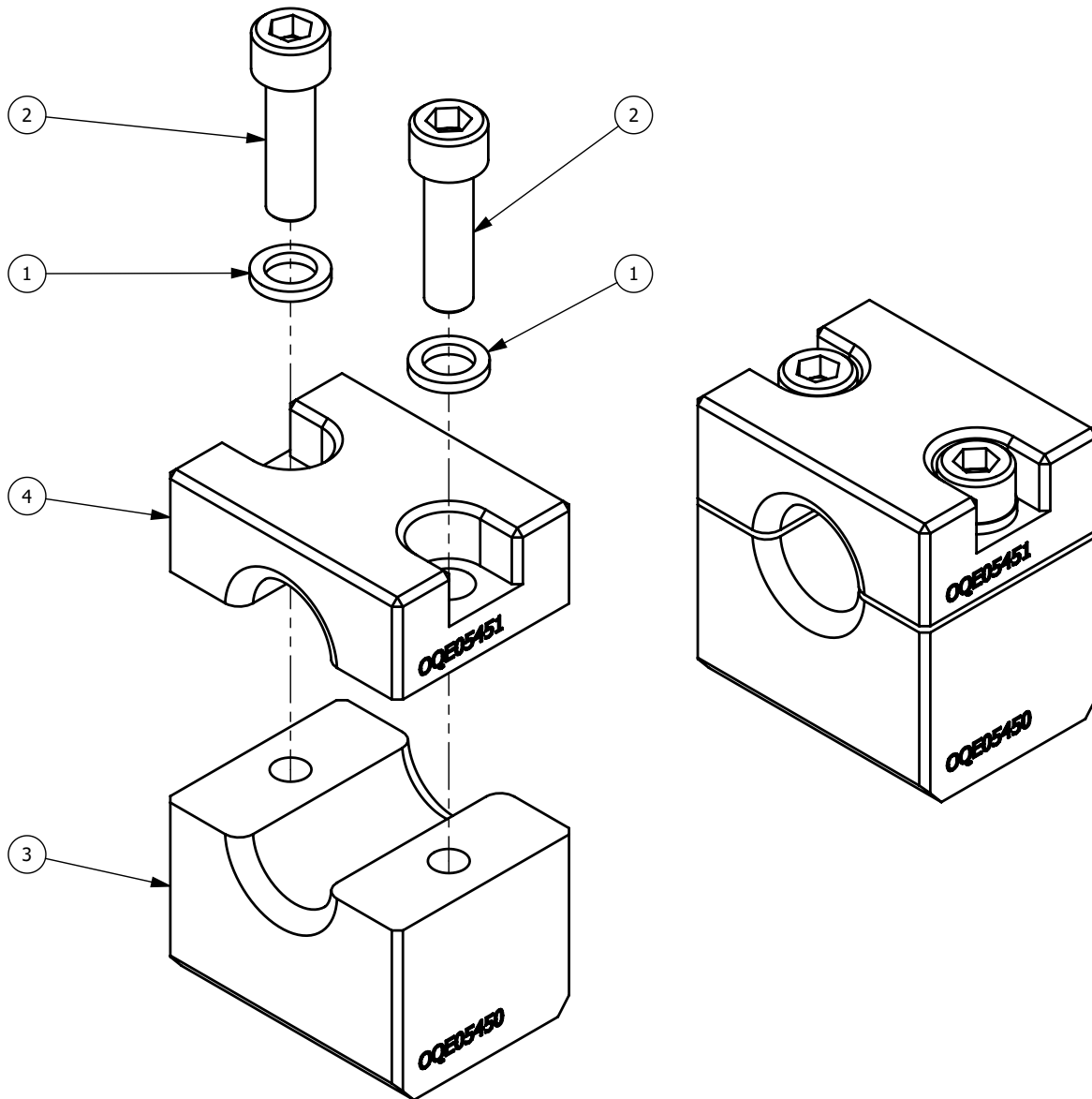
ITEM	PN#	NAME	QTY	UOM
1	OQ412XXXX	QUICK COUPLER OQ40-5	1	EA
2A	OQ4121480	H-CYLINDER OQ40-5	1	EA
2B	OQ4134201	H-CYLINDER OQ40-5 2.0	1	EA
3	OQ4121486	PISTON ROD OQ40-5	2	EA
4	OQ7020233	SEAL KIT H- CYL OQ45	1	EA
5	OQ4121485	PISTON GUIDE OQ40-5	2	EA
6	OQ4121484	PISTON ROD OQ40-5 H-CYL 2.0	2	EA
7	OQ4112465	LOCKING PLUNGER OQ40-5 OQ40/24	2	EA
8	50-00773	WASHER NORDLOCK M8	4	EA
9	OQ7060125	SH CS M6 - 1.0 x 25 12.9	2	EA
10	OQ7060164	SCREW MC6LS M8 - 1.25 x 25	2	EA
11A	OQ7008004	PRESSURE RELIEF VALVE	2	EA
11B	OQ7008001	PRESSURE RELIEF VALVE H-CYL 2.0	2	EA
12A	OQ7009012	CHECK VALVE 4CK30-I-S3-A9	2	EA
12B	OQ7009001	PILOT OPERATED CHECK VALVE H-CYL 2.0	2	EA
13	OQ4112475	OPENING BAR OQ40	1	EA
14	50-00082	NUT M6 - 1.00 Z_8	2	EA
15	50-00187	WASHER M6 - 12.0 X 1.8 Z	1	EA
16	OQE06967	OQ40-5 SENSOR BRACKET	1	EA
17	50-00081	SH CS M6 - 1.00 X 20 Z_12.9	2	EA
18	50-00905	WASHER NORDLOCK M6 - 10.8 X 1.8 1519	7	EA
19	OQE05822	OQ40-5 E-VA ROD-111MM	1	EA
20	OQ4121994	GUIDE PLATE OQ40-5, OQ45-5	1	EA
21	OQ7060098	SHCS M8 - 1.25 x 16 Z_12.9	2	EA
22	OQ4119542	DIRT GUARD OQ45-5	1	EA
23	OQ7060091	SCREW MF6S M6x20 10.9	2	EA
24	OQ4115211	RUBBER SEAL, DIRT GUARD	1	EA
25	OQE04743	SERIAL TAG - OILQUICK AMERICAS	1	EA
26	OQE06607	GUARD ASSY OQSS OQ40-5	1	EA
27	OQ7072029	WASHER FNDR M6 - 28.0 Z	4	EA
28	OQ7060082	SCREW M6S M6x14 8.8 FZB	4	EA

ITEM	PN#	NAME	QTY	UOM
29	OQ7410059	PINCH DECAL	2	EA
30	OQ4118780	HYDRAULIC COUPLING 3/8", FEMALE -06FBSPP	3	EA
31	OQ7170026	SNAP RING 1/4"	3	EA
32	50-01065	DRIVE SCREW #6 X 3/8 STAINLESS RIVET	4	EA
33	OQ7020130	NOSE SEAL 1/2"	2	EA
34	OQ7020270	NOSE SEAL 3/8"	3	EA
35	OQ7206018	HYDRAULIC COUPLING 1/2", FEMALE CIRCLIP	2	EA
36	OQ4115171	WASHER SUPPRT M30 - 41.7 X 2.4 P clipped	2	EA
37	OQ7170020	SNAP RING 1/2"	2	EA
38	OQ4121984	WASHER SUPPORT 0.875 - 1.18 X 0.08 P	3	EA
39	OQ4119074	ADAPTER RING 1/2", GUIDE PLATE	2	EA
41	OQ7200210	FTG-HYD 12MM- 04MO 90	2	EA
42	OQ4121140	POLY ADAPTER 1/4"+3/8" H-CYLINDER	3	EA
43	OQ4121137	POLY ADAPTER 1/2", H-CYLINDER	2	EA
44	40-03023	FTG-HYD 06MP-06MO 90	3	EA
45	OQ7200001	FTG-HYD 08MP-08MO-90	2	EA
46	OQ7060285	SH CS M6 -1.00 X 12 Z_12.9 LOW PROFILE	1	EA
47	OQE07560	CABLE 8-POS FEMALE M12/PL 3M	1	EA
49	OQ1800514	LOCK SENSOR E-VA	1	EA
50	OQ7072033	WASHER NORDLOCK M5 - 9.0 X 1.8	1	EA
51	50-01095	SH CS M5 - 0.8 X 40 Z_12.9	1	EA
52	OQ7200224	PLUG VSTI M16x1,5 ED (SEE NOTE 1)	1	EA
53	OQ7205005	FTG-ZERK M10 X 1.5	1	EA

2.0 - INSTALL COMPONENTS

2.1 - HOSE CLAMPS

2.1.1 - OQE05449 - HOSE CLAMP 1/2"

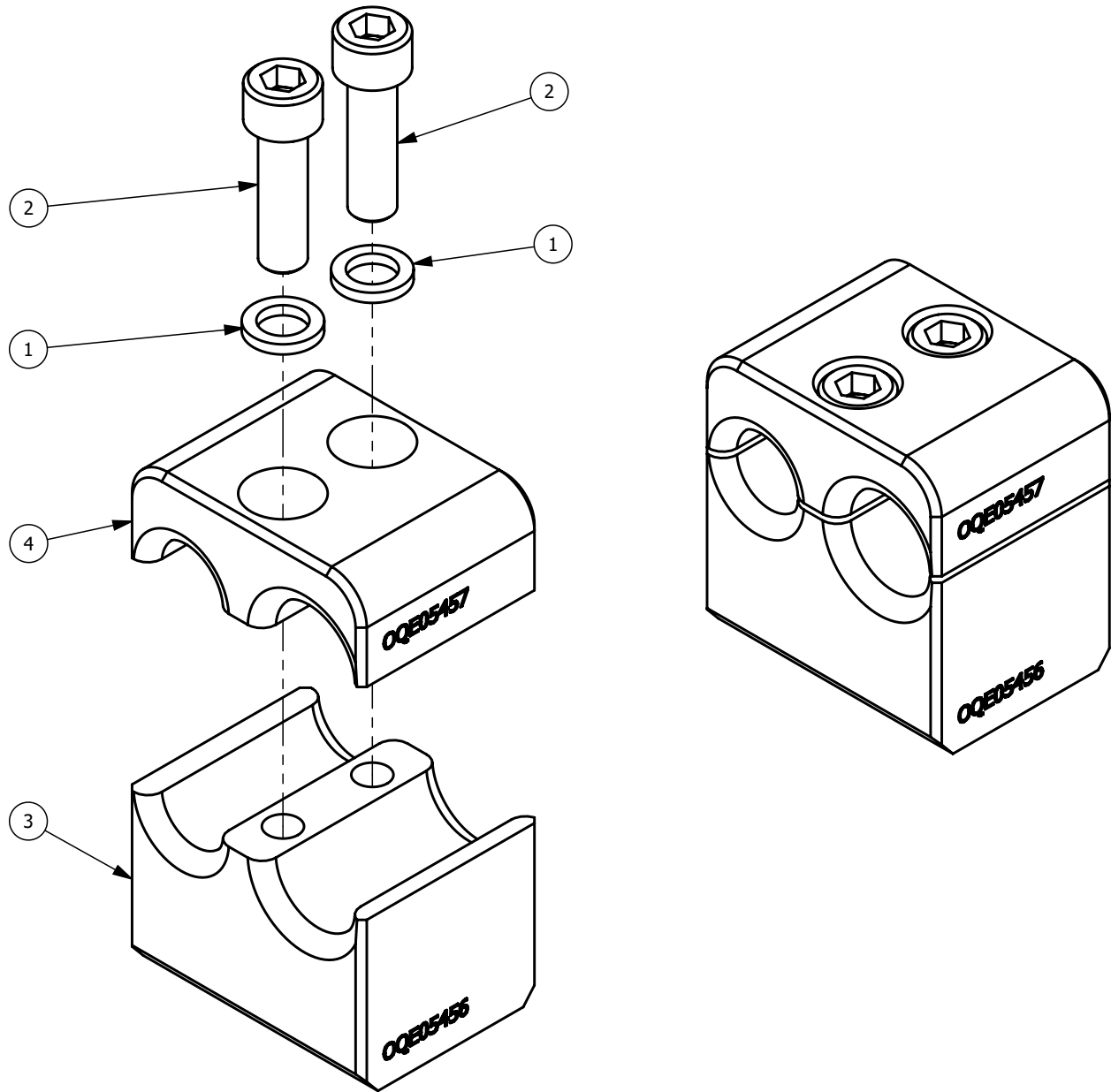


ITEM	PN#	NAME	QTY	UOM
1	50-00682	WASHER NORDLOCK M10 - 16.6 X 2.5 1244	2	EA
2	OQ7060099	SH CS M10 - 1.50 X 35 Z_8.8	2	EA
3	OQE05450	HOSE CLAMP BASE 1/2"	1	EA
4	OQE05451	HOSE CLAMP TOP 1/2"	1	EA

2.0 - INSTALL COMPONENTS

2.1 - HOSE CLAMPS

2.1.2 - OQE05455 - HOSE CLAMP 1/2" + 3/8"

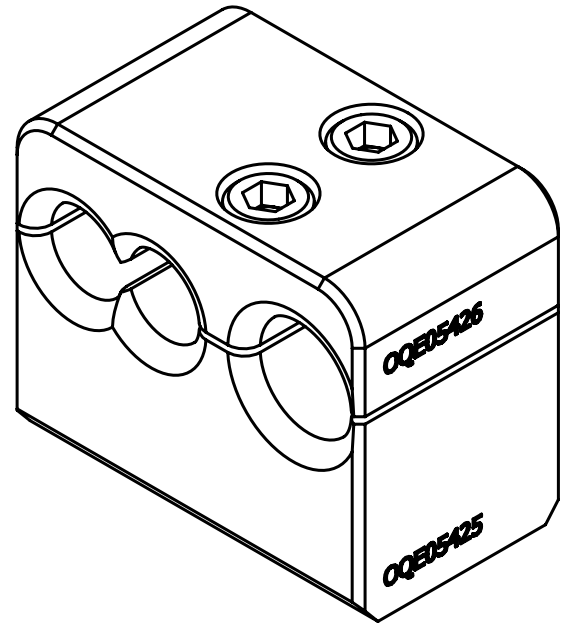
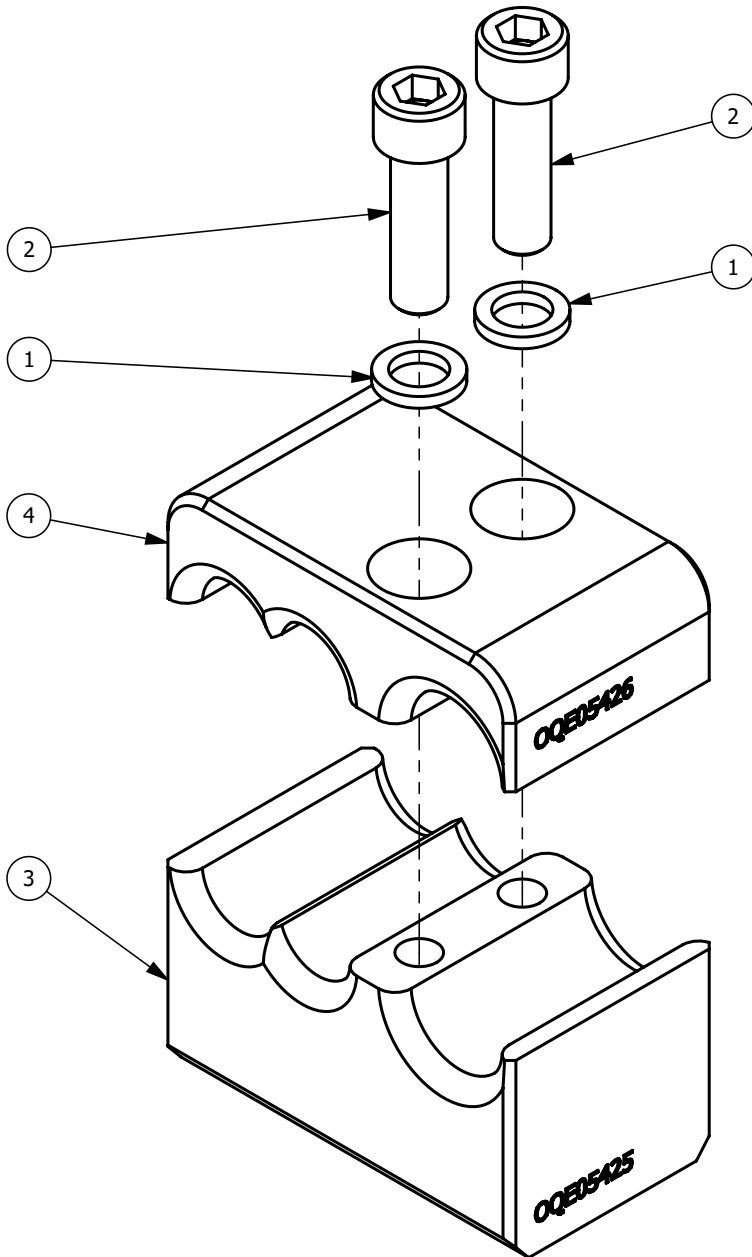


ITEM	PN#	NAME	QTY	UOM
1	50-00682	WASHER NORDLOCK M10 - 16.6 X 2.5 1244	2	EA
2	OQ7060099	SH CS M10 - 1.50 X 35 Z_8.8	2	EA
3	OQE05456	HOSE CLAMP BASE 1/2"+3/8"	1	EA
4	OQE05457	HOSE CLAMP TOP 1/2"+3/8"	1	EA

2.0 - INSTALL COMPONENTS

2.1 - HOSE CLAMPS

2.1.3 - OQE05424 - HOSE CLAMP 1/2" + 2 X 3/8"

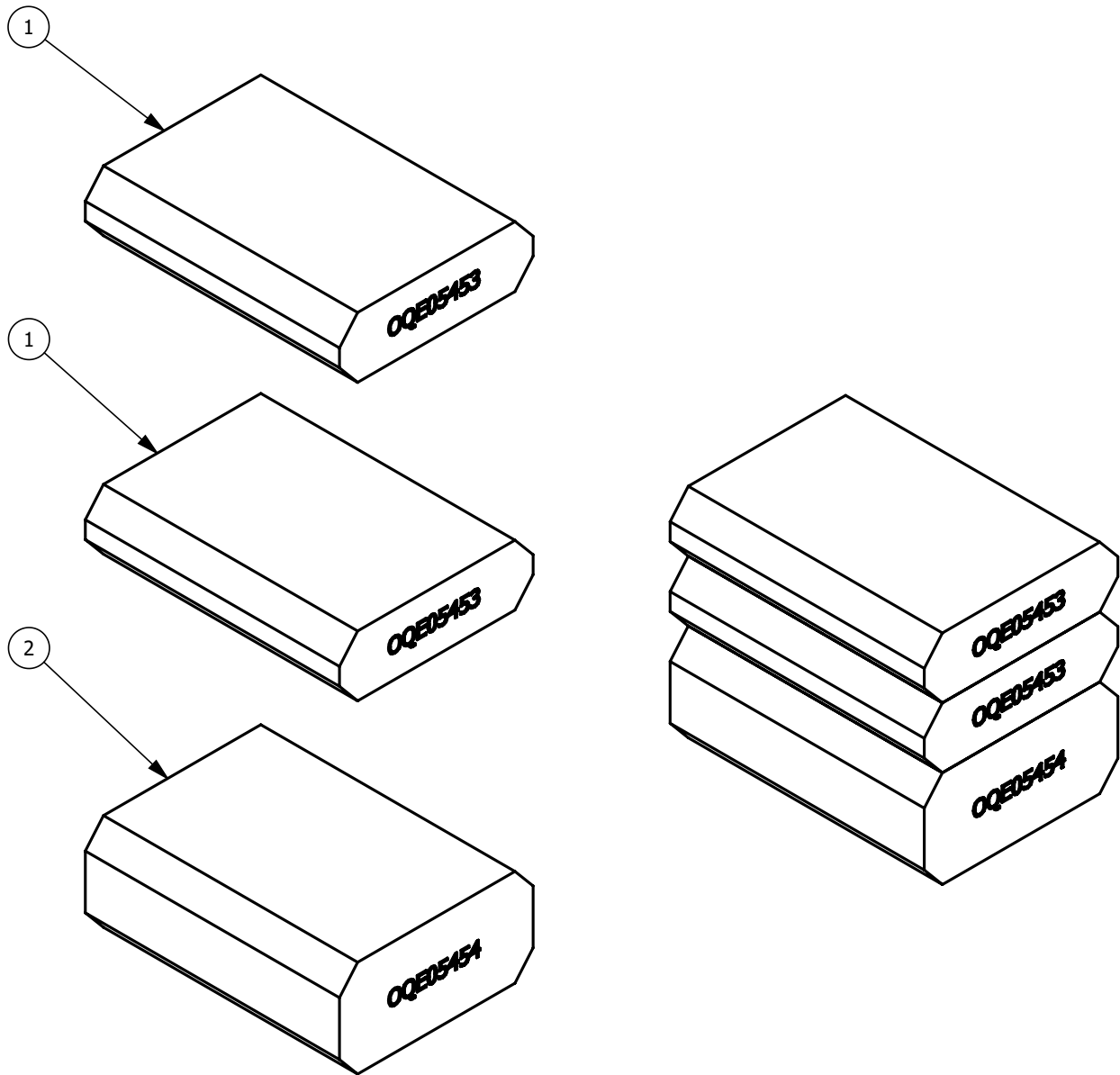


ITEM	PN#	NAME	QTY	UOM
1	50-00682	WASHER NORDLOCK M10 - 16.6 X 2.5 1244	2	EA
2	OQ7060099	SH CS M10 - 1.50 X 35 Z_8.8	2	EA
3	OQE05425	HOSE CLAMP BASE 1/2"+2x3/8"	1	EA
4	OQE05426	HOSE CLAMP TOP 1/2"+2x3/8"	1	EA

2.0 - INSTALL COMPONENTS

2.1 - HOSE CLAMPS

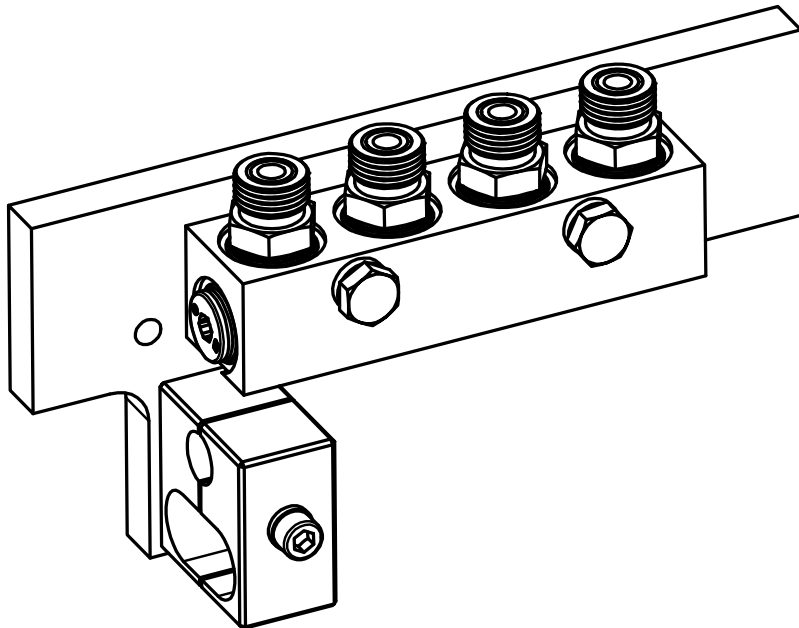
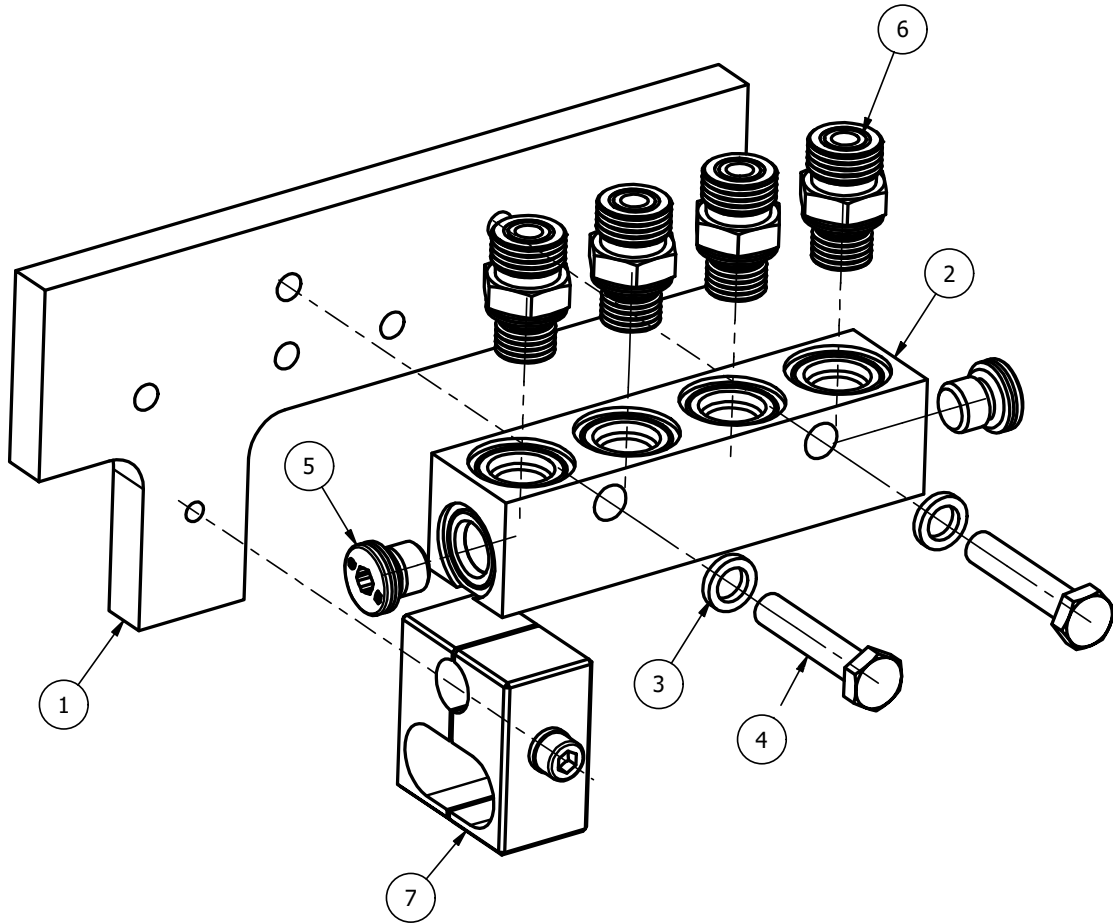
2.1.4 - OQE05452 - KIT HOSE CLAMP SPACER 2 X 2-5/8



ITEM	PN#	NAME	QTY	UOM
1	OQE05453	HOSE CLAMP SPACER 2 X 2-5/8 X 5/8	2	EA
2	OQE05454	HOSE CLAMP SPACER 2 X 2-5/8 X 1	1	EA

2.0 - INSTALL COMPONENTS

2.2 - OQ5180018 - GUIDE BLOCK MANIFOLD



ITEM	PN#	NAME	QTY	UOM
1	OQ4115481	BRACKET, LOCKING CIRCUIT	1	EA
2	OQ4115477	COUPLING KIT 1/2" OQ70-90 NO BLOCK	1	EA
3	OQ7072021	HYDR. BLOCK, LOCKING FUNCTION	2	EA
4	OQ7060005	SCREW M6S 8X40	2	EA
5	OQ7200208	PLUG VSTI M12X1.5	2	EA
6	OQ7200213	NIPPLE ORFS06 UF-M14x1,5 UF	4	EA
7	OQ5180161	CABLE CLAMP KIT - 13MM + 2X18MM	1	EA

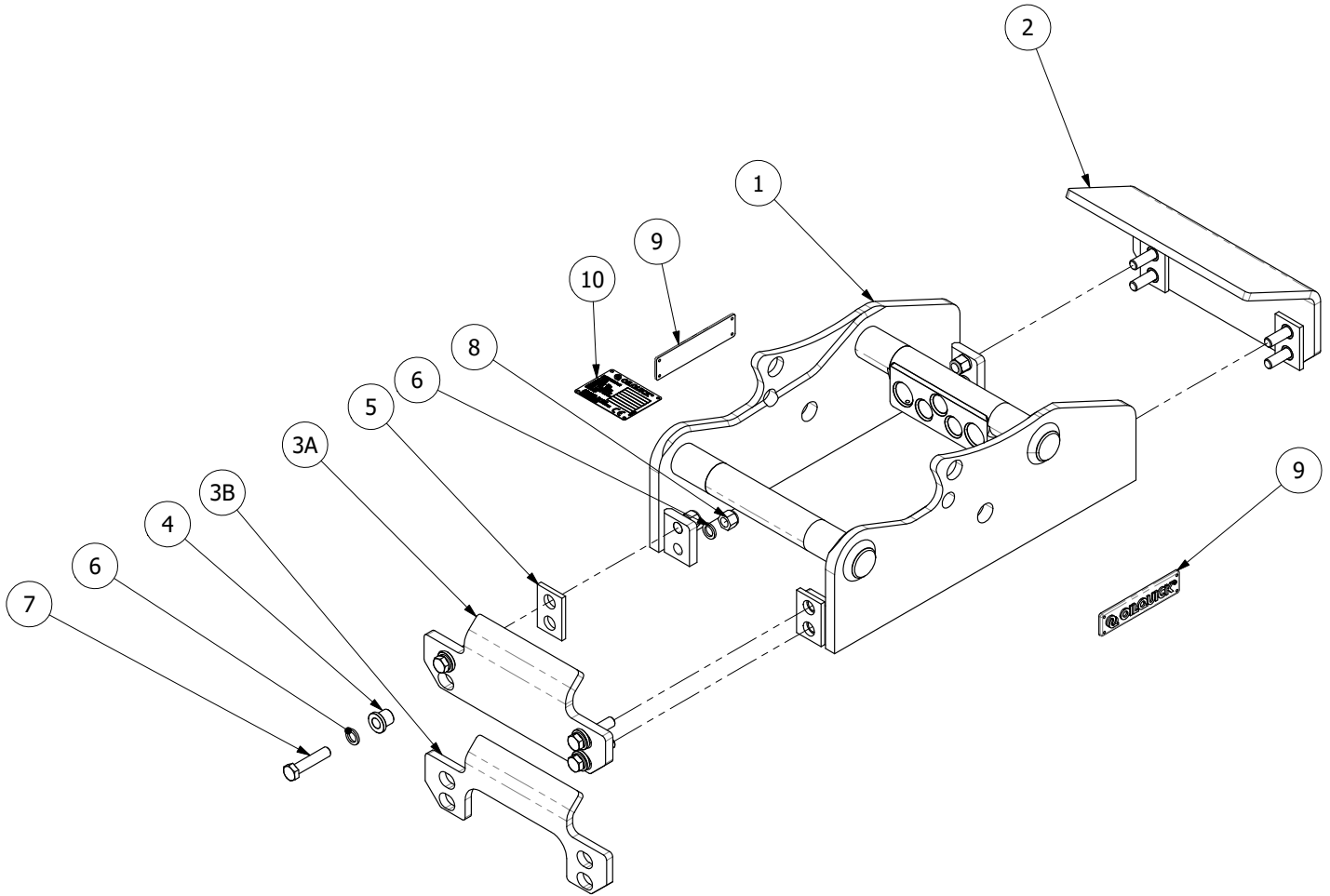
3.0 - SERVICE COMPONENTS

3.1 - OQ5119991 - FIRST AID KIT

ITEM	PN#	NAME	QTY	UOM
1	OQ7020270	NOSE SEAL 3/8"	4	EA
2	OQ7020130	NOSE SEAL 1/2"	4	EA
3	OQ4118755	PUSHER 3/8"	1	EA
4	OQ4112220	PUSHER 1/2"	1	EA
5	OQ4121990	MOUNTING TOOL 3/8"	1	EA
6	OQ4116298	MOUNTING TOOL 1/2"	1	EA
7	OQ7410094	FIRST AID KIT	1	EA
8	OQ7406065	FIRST AID KIT BOX	1	EA

4.0 - ATTACHMENT FRAME

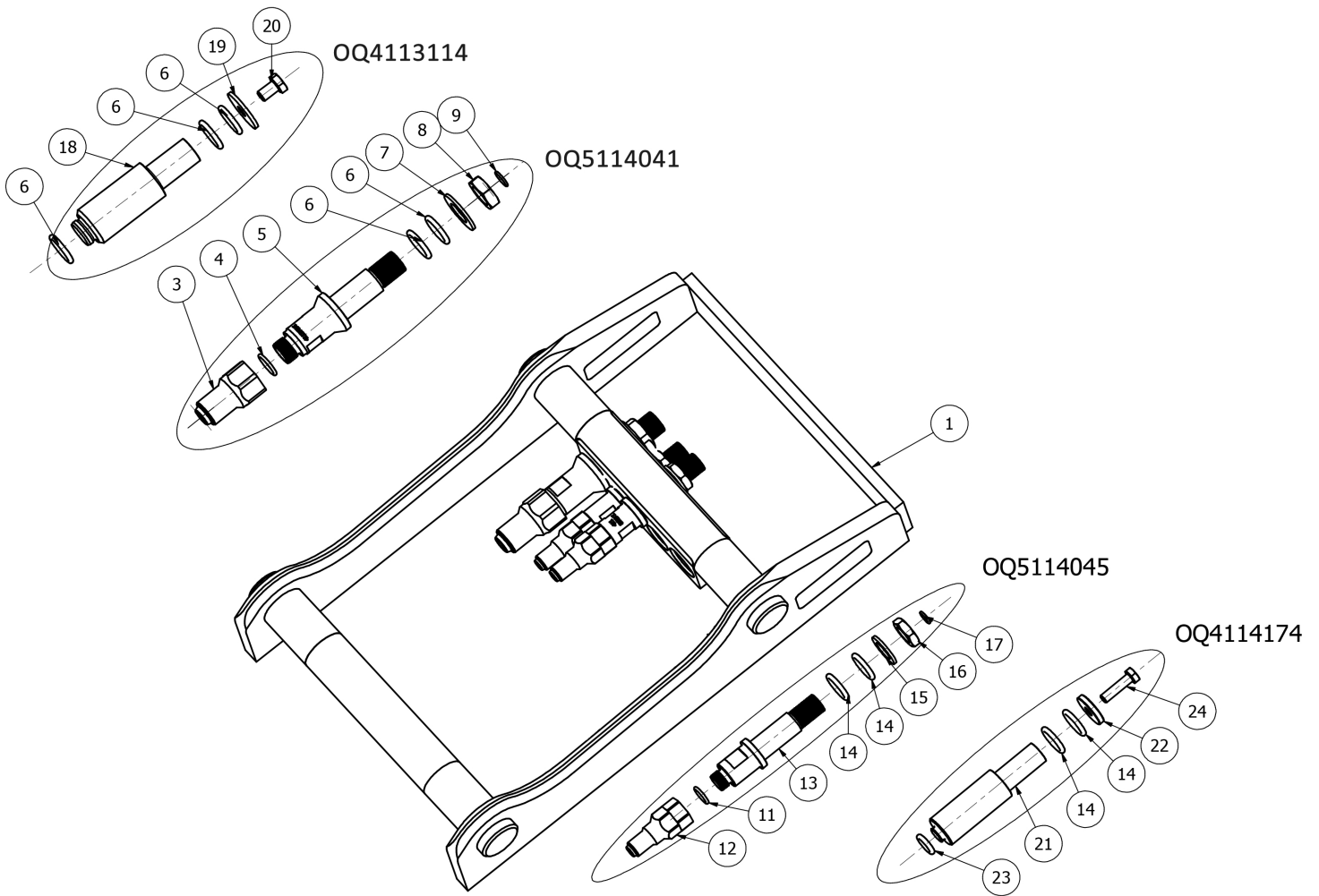
4.1 - OQ5205025 - D-FRAME



ITEM	PN#	NAME	QTY	UOM
1	OQ5205025	OQ40-5 D-FRAME - BLANK	1	EA
2	OQ4123590	PROTECTION PLATE - OQ40-5 SOLID REAR	1	EA
3A	OQE05849	PROTECTION PLATE - OQ40-5 SOLID FRONT	1	EA
3B	OQ4123588	PROTECTION PLATE, OQ40-5 CUTOUT	1	EA
4	OQ4120324	SLEEVE - PROTECTION PLATE TOOL ADAPT	8	EA
5	OQ4120566	SPACER RUBBER - OQ45	4	EA
6	OQ7072007	WASHER M12 X 19.5 X 2.5 NORDLOCK	16	EA
7	OQ7060217	HH CS M12 x 55 8.8 FZB	8	EA
8	OQ7065005	NUT - M12 NYLOCK	8	EA
9	OQ4116954	EMBLEM - OILQUICK - OQ40	2	EA
10	OQ4118161	SERIAL TAG - OILQUICK	1	EA

4.0 - ATTACHMENT FRAME

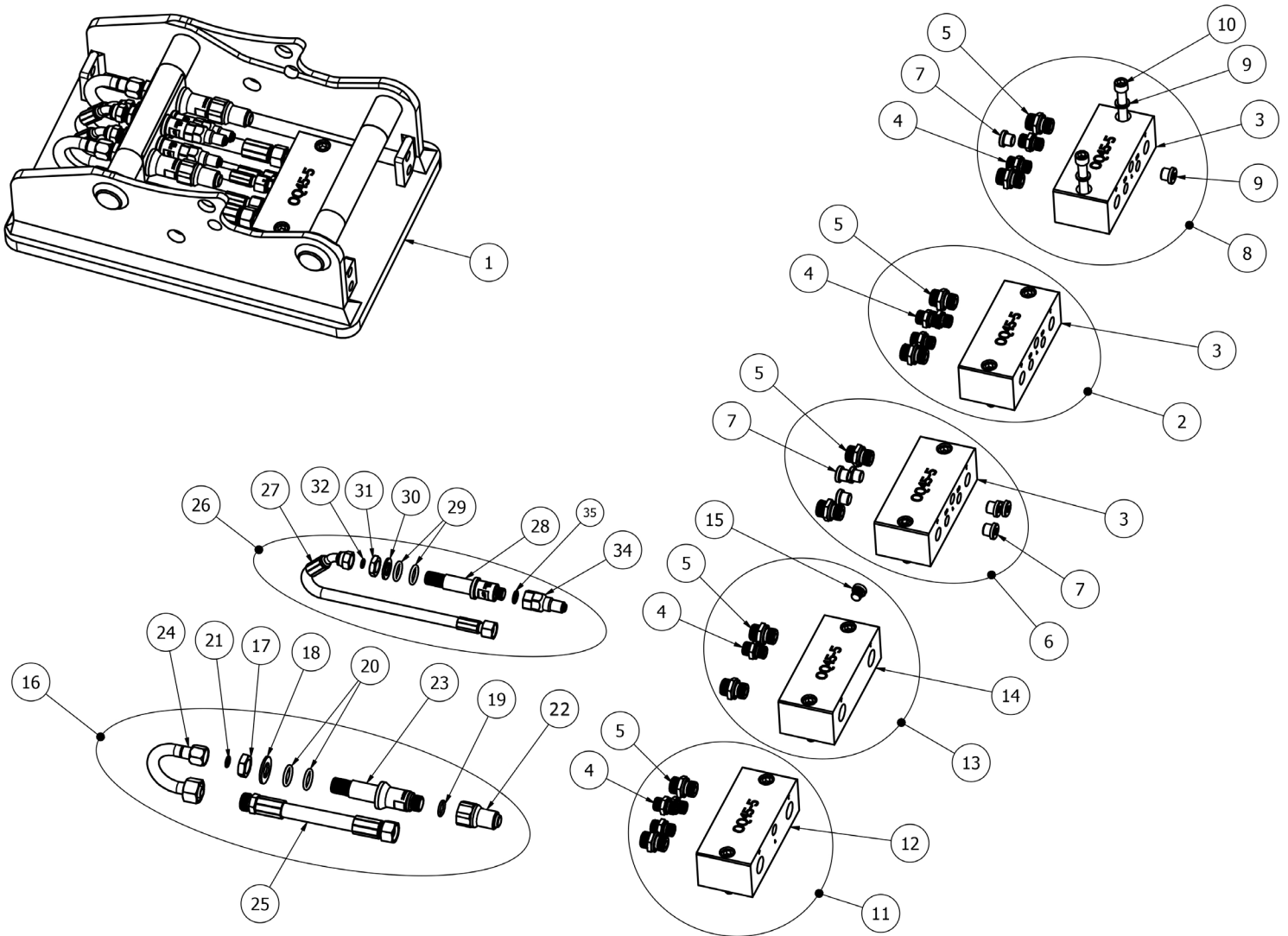
4.2 - OQ4122014 - C-FRAME



ITEM	PN#	NAME	QTY	UOM
1	OQ4121470	TOOL GATE OQ40-5	1	EA
2	OQ5114041	COUPLING KIT 1/2" OQ40/24 NO BLOCK	2	EA
3	OQ7206017	HYDRAULIC COUPLING 1/2", MALE	1	EA
4	OQ7160048	O-RING 17,6x2,62 NBR70	1	EA
5	OQ4113709	FLANGED BULKHEAD 1/2" OQ40-24E	1	EA
6	OQ7160031	RUBBER RING 22x4	5	EA
7	OQ4112316	WASHER 0.750 - 1.49 X 0.12 P	2	EA
8	40-00501	FTG-HYD 08MO LOCKNUT	1	EA
9	OQ7160045	O-RING-014 -08MO (12,42x1,78) NBR 90D	1	EA
10	OQ5114045	COUPLING KIT 3/8" OQ40/24 NO BLOCK	2	EA
11	OQ7160058	O-RING 13.3x2.4 NBR90	1	EA
12	OQ4118750	HYDRAULIC COUPLING 3/8", MALE	1	EA
13	OQ4118729	BULK HEAD 3/8" OQ40	1	EA
14	OQ7160077	O-RING 20x4 NBR70	4	EA
15	OQ4114030	WASHER 0.625 X 1.16 - 0.10 Z	1	EA
16	OQ7065043	FTG-HYD 06MO LOCKNUT	1	EA
17	OQ7160078	O-RING 9,25x1,78 NBR70	1	EA
18	OQ4113113	POLY ADAPTER 1/2"	1	EA
19	OQ4112660	WASHER 1/2"	1	EA
20	OQ7060118	HH CS M10 - 1.5 x 16	1	EA
21	OQ4114171	POLY ADAPTER 1/4"	1	EA
22	OQ4114173	WASHER 1/4"	1	EA
23	OQ7160079	O-RING Ø13x4 NBR70	1	EA
24	OQ7060108	HH CS M8 - 1.25 x 30	1	EA

4.0 - ATTACHMENT FRAME

4.3 - OQ4123712 - SPLIT BLOCKS

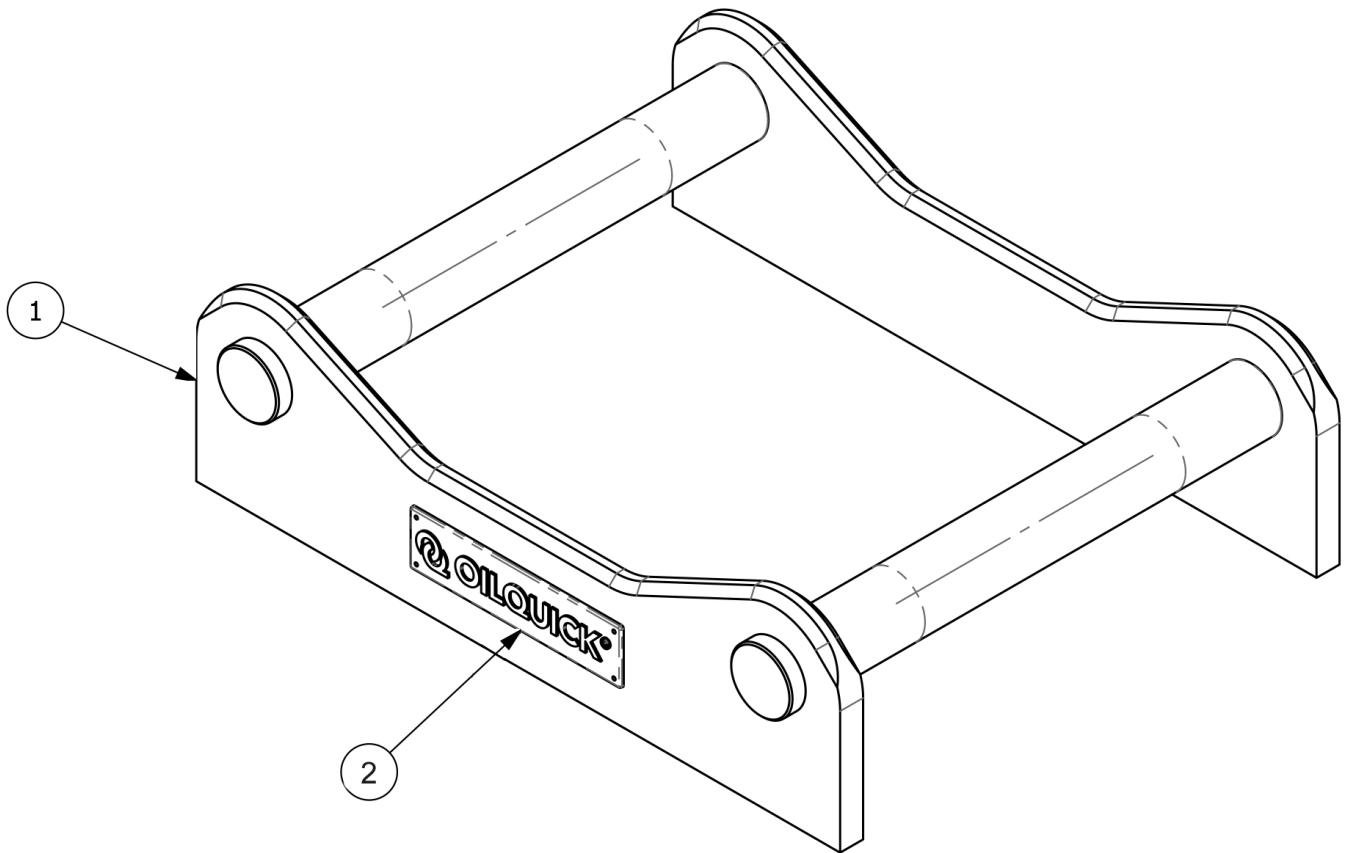


ITEM	PN#	NAME	QTY	UOM
1	OQ412XXXX	QUICK COUPLER BODY OQ40-5	1	EA
2	OQ5109944	HYDR.BLOCK KIT 2x1/2", 3x3/8"	1	EA
3	OQ7200465	SPLIT BLOCK OQ40-5/OQ45-5 NON-MERGING	1	EA
4	OQ7200445	NIPPLE 12L-G3/8" UF ED	3	EA
5	OQ7200279	NIPPLE 15L-G1/2" UF	2	EA
6	OQ5109945	HYDR. BLOCK KITt 2x1/2"	1	EA
7	OQ7060009	PLUG 3/8" ED	6	EA
8	OQ5109142	HYDR. BLOCK KIT 2x1/2", 2x3/8", OQ45	1	EA
9	OQ7072007	WASHER NORDLOCK M12-19.5 X 2.5 1262	2	EA
10	OQ7060051	SCREW MC6S M12x60 12.9	2	EA
11	OQ5109942	HYDR. BLOCK KIT 2x1/2", 3x3/8" SPLIT	1	EA
12	OQ7200463	SPLITBLOCK OQ40/27, OQ45-5	1	EA
13	OQ5109943	HYDR. BLOCK KIT 2x1/2", 1x3/8" SPLIT	1	EA
14	OQ7200464	SPLITBLOCK OQ40-5, OQ45-5	1	EA
15	OQ7200283	FTG-HYD 04MBSPP PLUG SEAL E	2	EA
16	OQ5114046	COUPLING KIT 1/2" OQ40/24 BLOCK	2	EA
17	40-00501	FTG-HYD 08MO LOCKNUT	1	EA
18	OQ4112316	WASHER 0.750 - 1.49 X 0.12 P	1	EA
19	OQ7160048	O-RING 17,6x2,62 NBR70	1	EA
20	OQ7160031	RUBBER RING 22x4	2	EA
21	OQ7160045	O-RING-014 -08MO (12,42x1,78) NBR 90D	1	EA

ITEM	PN#	NAME	QTY	UOM
22	OQ7206017	HYDRAULIC COUPLING 1/2", MALE	1	EA
23	OQ4113709	FLANGED BULKHEAD 1/2" OQ40-24E	1	EA
24	OQ4118556	PIPE 1/2", OQ45 TOOL ADAPTER	1	EA
25	OQ7150338	HYDRAULIC HOSE 1/2" L=222	1	EA
26	OQ5114048	COUPLING KIT 3/8" OQ40/24 BLOCK	3	EA
27	OQ7150251	HYDRAULIC HOSE 1/4" L=350 & 3/8"	1	EA
28	OQ4118729	BULKHEAD 3/8" SHORT OQ40	1	EA
29	OQ7160077	O-RING 20x4 NBR70	2	EA
30	OQ4114030	WASHER 0.625 X 1.16 - 0.10 Z	1	EA
31	40-00502	FTG-HYD 06MO LOCKNUT	1	EA
32	OQ7160078	O-RING 9,25x1,78 NBR70	1	EA
34	OQ4118750	HYDRAULIC COUPLING 3/8", MALE	1	EA
35	OQ7160012	O-RING 14x2 NBR72	1	EA

4.0 - ATTACHMENT FRAME

4.4 - OQE05961 - MECHANICAL ATTACHMENT FRAME



ITEM	PN#	NAME	QTY	UOM
1	OQE05960	ATTACHMENT BRACKET	1	EA
2	OQ4116145	EMBLEM - OILQUICK - OQ45-OQ65	2	EA

Dealer:



OilQuickAmericas
155 Main Street
Superior, WI 54880
Phone: 262.607.8425
Fax: 715.395.3703

E-mail: info@oilquickamericas.com
Web: www.oilquickamericas.com