

Manufacturer:

OilQuickAmericas
155 Main Street
Superior, WI 54880
Phone: 262.607.8425
Fax: 715.395.3703

E-mail: info@oilquickamericas.com
Web: www.oilquickamericas.com

When ordering spare parts:

- Include the part number, description and desired quantities.
- Include your complete address.
- Specify how the parts are to be delivered.



TABLE OF CONTENTS

OQ45-5 2.0

1.0 - HYDRAULIC FRAME ASSEMBLY

1.1 - OQ45-5 - 2.0 - D-FRAME and T-FRAME COMPARISON	4
1.2 - OQ45-5 - 2.0 FRAME ASSEMBLY	6

2.0 - HYDRAULIC COMPONENTS

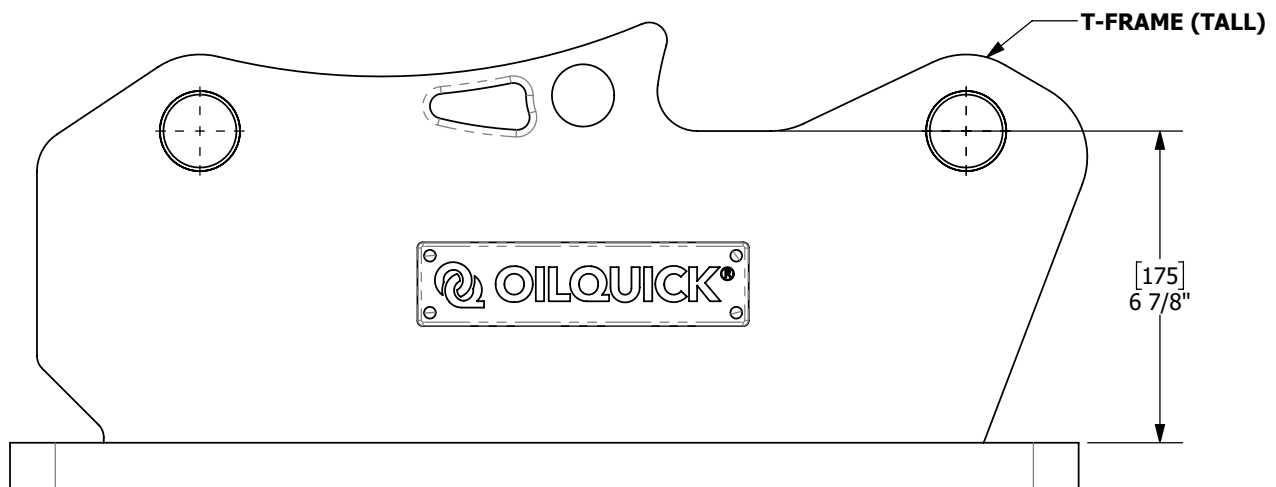
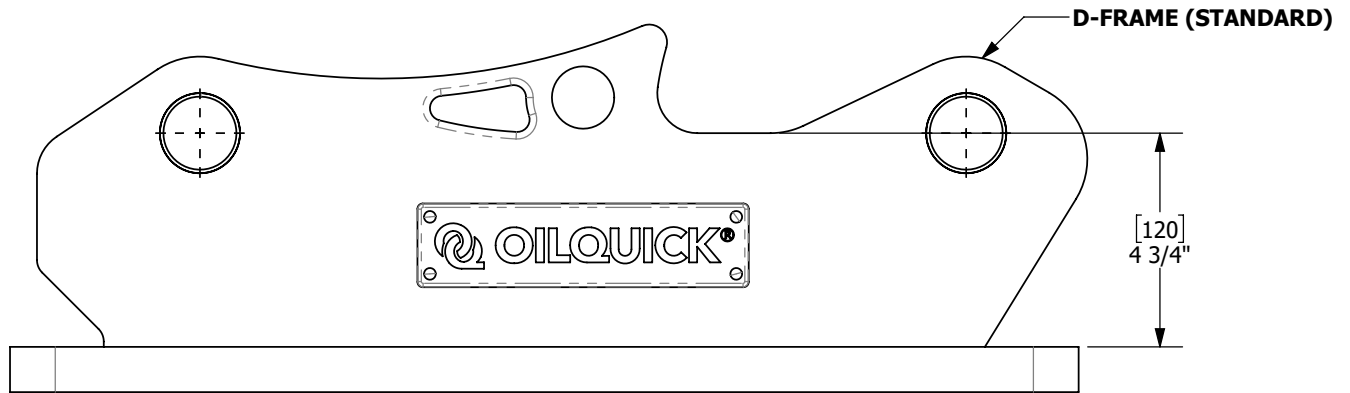
2.1 - COUPLINGS 1/2" AND 3/8"	8
2.2 - SPLITBLOCK	10

3.0 - ELECTRICAL COUPLINGS

3.1 - V90-10	12
--------------------	----

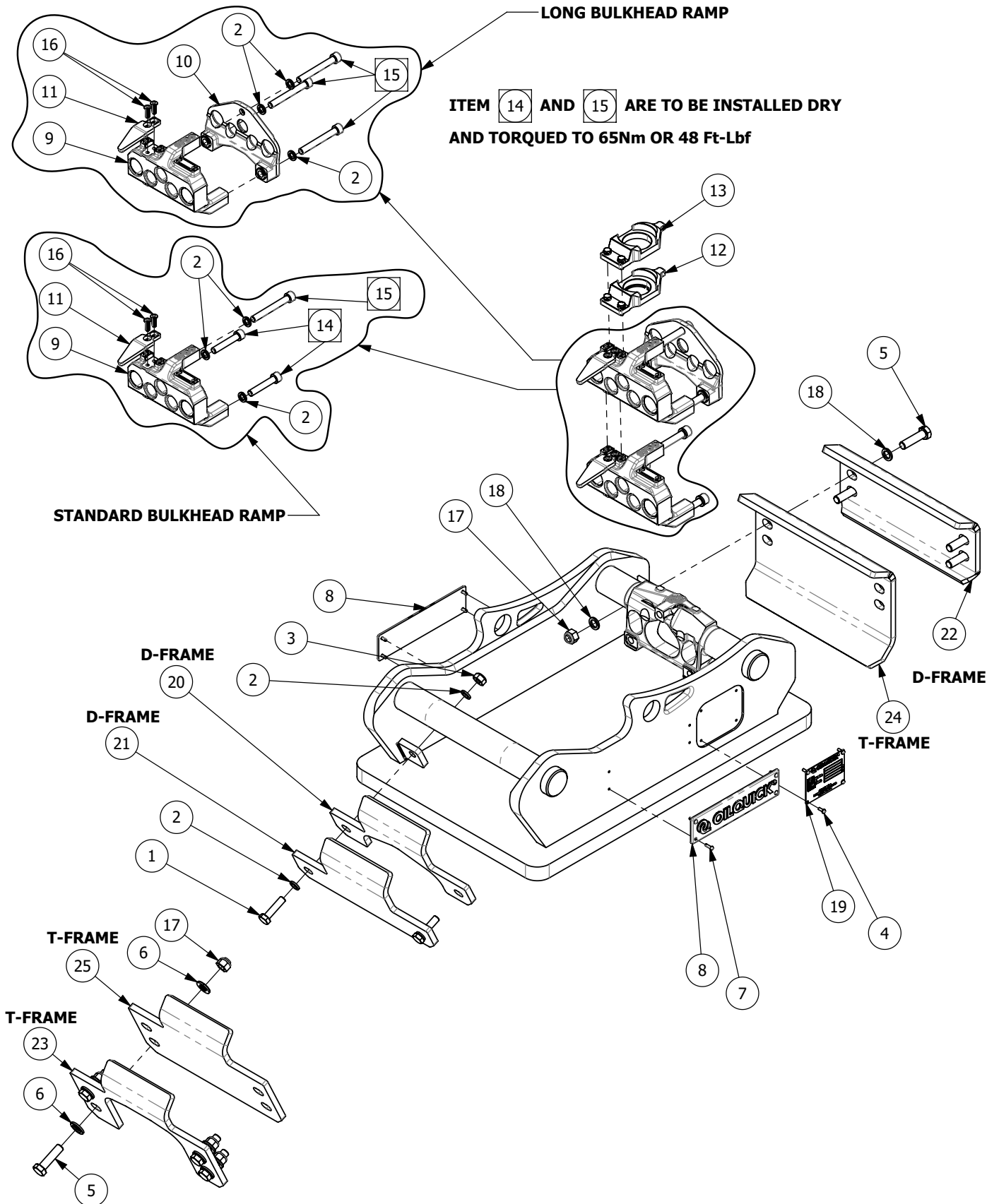
1.0 - HYDRAULIC FRAME ASSEMBLY

1.1 - OQ45-5 - D-FRAME AND T-FRAME COMPARISON



1.0 - HYDRAULIC FRAME ASSEMBLY

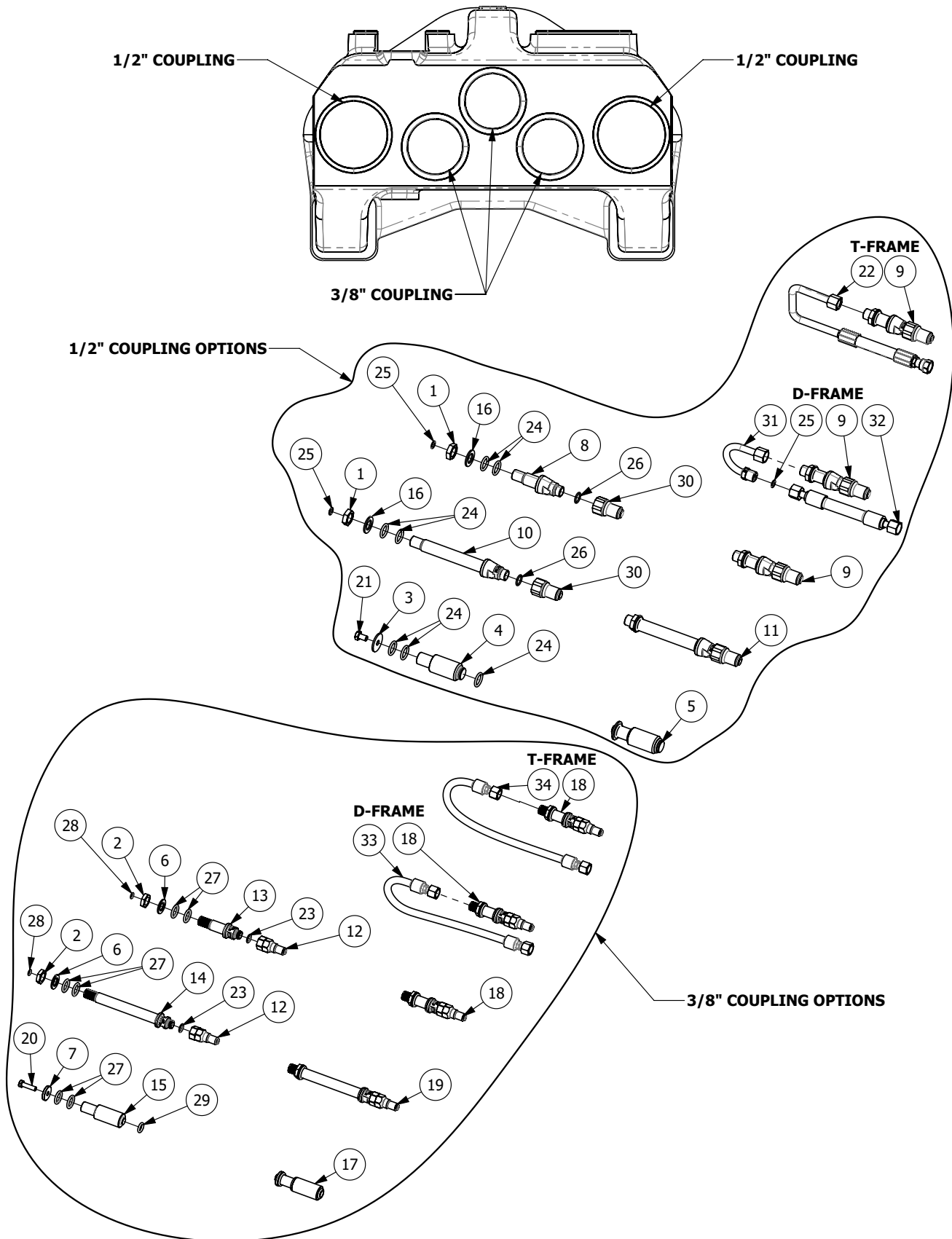
1.2 - OQ45-5 - 2.0 FRAME ASSEMBLY



ITEM	PN#	NAME	QTY	UOM
1	50-00205	HH CS M10 - 1.50 X 40 Z_10.9	2	EA
2	50-00682	WASHER NORDLOCK M10 - 16.6 X 2.5 1244	10	EA
3	50-00813	NUT M10 NYLOCK CLASS 10_Z	2	EA
4	50-01065	DRIVE SCREW #6 X 3/8 STAINLESS RIVET	4	EA
5	50-01097	HH CS M12 - 1.75 X 45 Z_10.9 DIN 931	8	EA
6	50-01098	WASHER M12 - 24.0 X 2.5 Z_DIN 125	8	EA
7	50-01295	DRIVE SCREW #6 X 1/2 STAINLESS	8	EA
8	OQ4116145	EMBLEM - OILQUICK - OQ45-OQ65	2	EA
9	OQ4134193	COUPLING RAMP OQ45-5 BOLT ON	2	EA
10	OQ4134195	BACKING PLATE RAMP OQ45-5 LONG BULKHEAD	1	EA
11	OQ4134198	DEFLECTOR OQ45-5 BOLT ON RAMP	2	EA
12	OQ5109340	MOUNTING KIT V90-10 OQ45 2.0	1	EA
13	OQ5109355	MOUNTING KIT V90-17 OQ45 2.0	1	EA
14	OQ7060106	Screw MC6S M10x55 12.9	2	EA
15	OQ7060205	SH CS M10 - 1.5 X 80 Z_12.9	4	EA
16	OQ7060328	FH CS M6 - 1.0 X 20 SS_A4 TORX	4	EA
17	OQ7065005	NUT - M12 NYLOCK	8	EA
18	OQ7072007	WASHER M12 X 19.5 X 2.5 NORDLOCK	8	EA
19	OQE04743	SERIAL TAG - OILQUICK AMERICAS	1	EA
20	OQE06106	PROTECTION PLATE FRONT - OQ45 CUTOUT 2.0	1	EA
21	OQE06107	PROTECTION PLATE FRONT - OQ45 SOLID 2.0	1	EA
22	OQE06108	PROTECTION PLATE REAR - OQ45 SOLID 2.0	1	EA
23	OQE07294	PROTECTION PLT FRNT - OQ45 T CUTOUT 2.0	1	EA
24	OQE07295	PROTECTION PLT REAR - OQ45 T SOLID 2.0	1	EA
25	OQE07296	PROTECTION PLT FRNT - OQ45 T SOLID 2.0	1	EA

2.0 - HYDRAULIC COMPONENTS

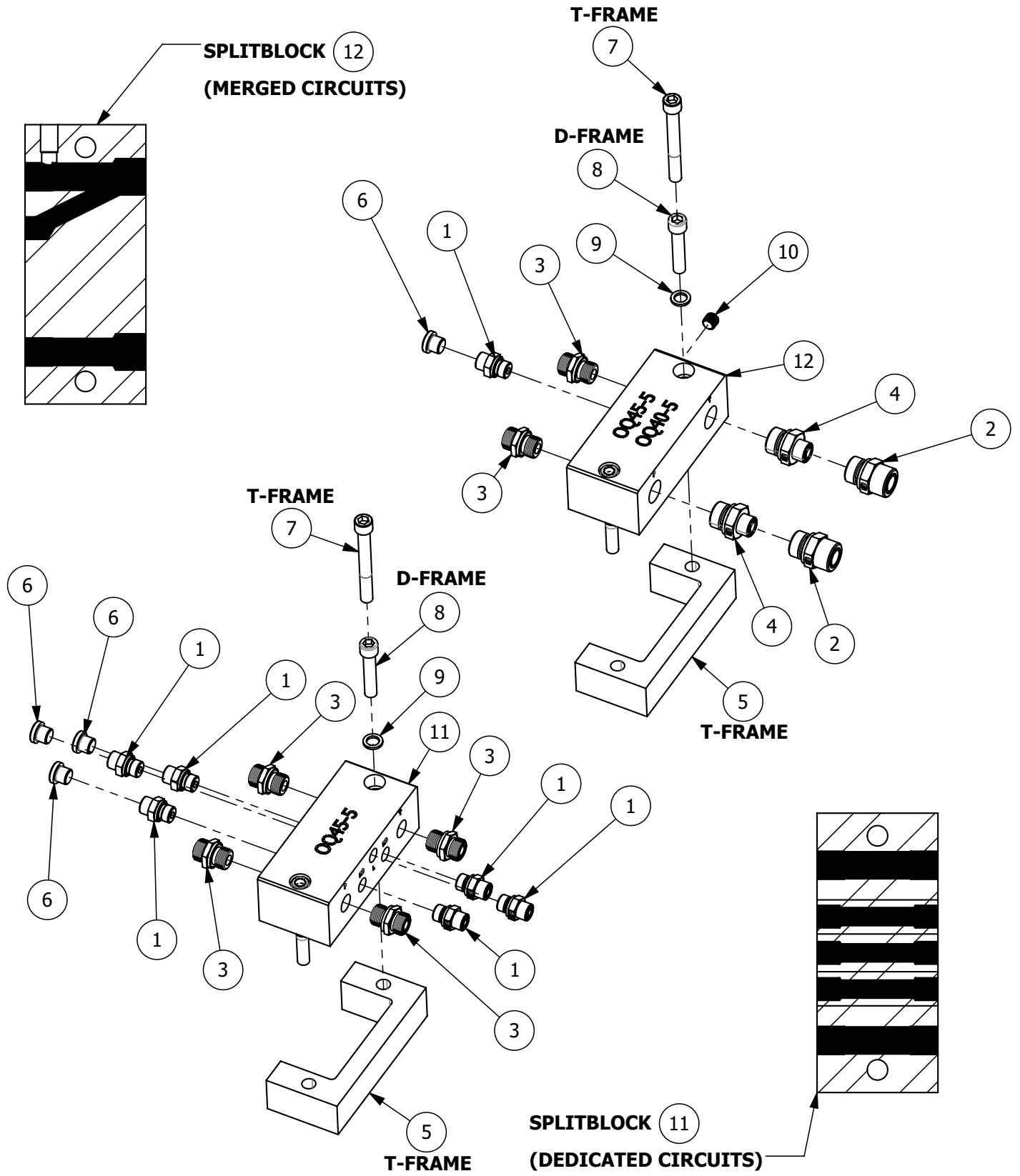
2.1 - COUPLING 1/2" AND 3/8"



ITEM	PN#	NAME	QTY	UOM
1	40-00501	FTG-HYD 08MO LOCKNUT	2	EA
2	40-00502	FTG-HYD 06MO LOCKNUT	2	EA
3	OQ4112660	WASHER 1/2"	1	EA
4	OQ4112661	POLY ADAPTER 1/2"	1	EA
5	OQ4112662	POLY ADAPTER 1/2" OQ45	1	EA
6	OQ4114030	WASHER 0.625 X 1.16 - 0.10 Z	2	EA
7	OQ4114173	WASHER 1/4"	1	EA
8	OQ4114555	BULKHEAD 1/2" SHORT OQ45-5	1	EA
9	OQ4114556	COUPLING KIT 1/2" OQ45-5 NO BLOCK	3	EA
10	OQ4114557	BULKHEAD 1/2" LONG OQ45-5	1	EA
11	OQ4114558	COUPLING KIT 1/2" OQ45-5 LONG	1	EA
12	OQ4118750	HYDRAULIC COUPLING 3/8", MALE	2	EA
13	OQ4119568	BULKHEAD 3/8" SHORT OQ45-5	1	EA
14	OQ4119569	Bulkhead 3/8" long OQ45-5	1	EA
15	OQ4119594	POLY ADAPTER 1/4" & 3/8"	1	EA
16	OQ4126905	WASHER 0.750 - 1.33 X 0.1 P	2	EA
17	OQ5109916	POLY ADAPTER 1/4" & 3/8" OQ45-5	1	EA
18	OQ5109935	COUPLING KIT 3/8" OQ45-5 NO BLOCK	3	EA
19	OQ5109936	COUPLING KIT 3/8" LONG COMP	1	EA
20	OQ7060108	HH CS M8 - 1.25 X 30	1	EA
21	OQ7060118	HH CS M10 - 1.50 X 16	1	EA
22	OQ7150993	HOSE-08-08FOX-JTUBE-08FOX-8.09	1	EA
23	OQ7160012	O-RING 14X2 72NBR	2	EA
24	OQ7160031	RUBBER RING 22x4	7	EA
25	OQ7160045	O-ring 12,42x1,78 NBR90	3	EA
26	OQ7160048	O-ring 17,6x2,62 NBR70	2	EA
27	OQ7160077	20x4 NBR 70	6	EA
28	OQ7160078	9,25x1,78 NBR 70	2	EA
29	OQ7160079	O-RING 13x4 NBR70	1	EA
30	OQ7206017	HYDRAULIC COUPLING 1/2", MALE	2	EA
31	OQE02025	TUBE - OQ45 .065 -08FOX-08MO	1	EA
32	OQE02026	HOSE-HYD 08M5K- 08FOX-08FOX-8.875	1	EA
33	OQE06523	HOSE-04-100R16-06FOX-06FOX-18.7	1	EA
34	OQE07299	HOSE-04-100R16-06FOX-06FOX-18.9	1	EA

2.0 - HYDRAULIC COMPONENTS

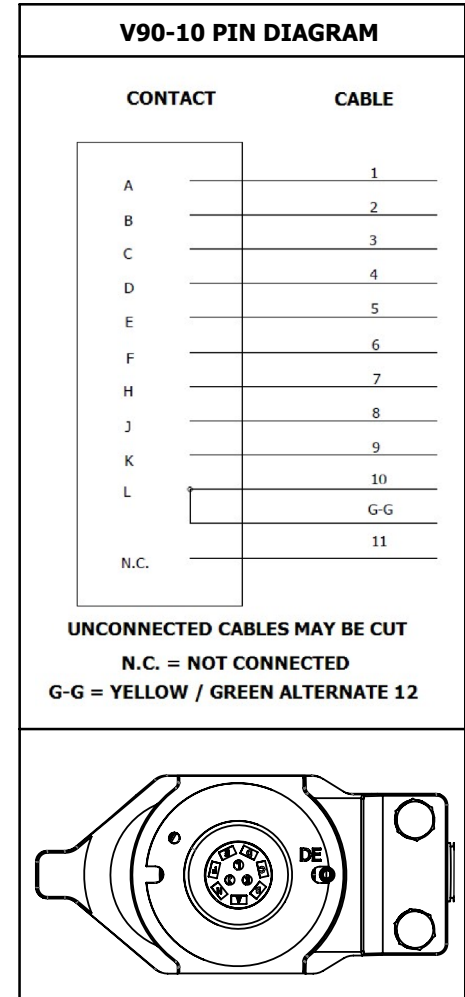
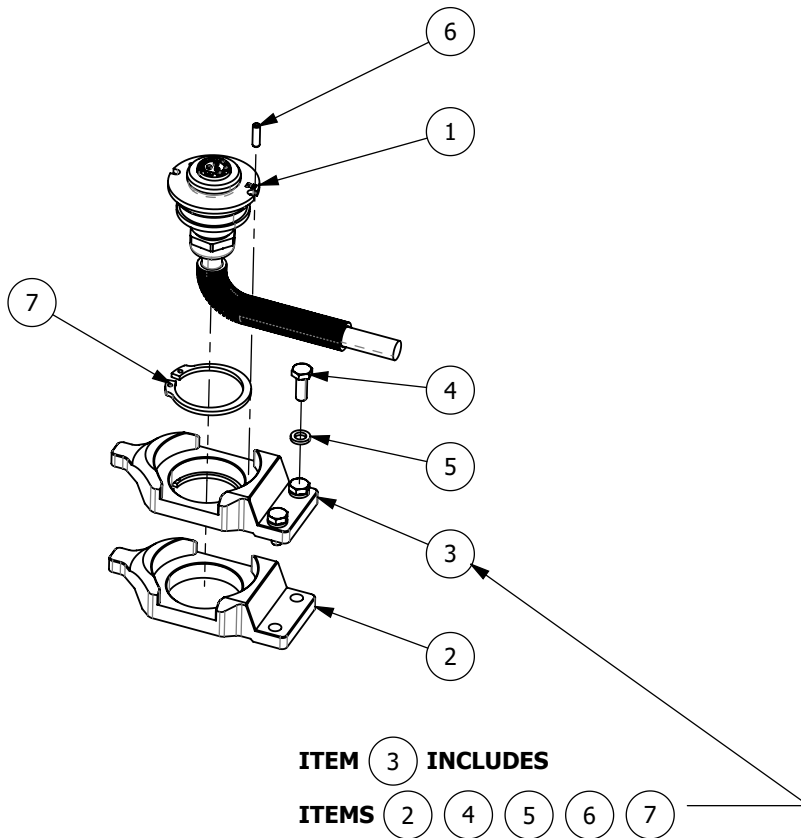
2.2 - SPLITBLOCK



ITEM	PN#	NAME	QTY	UOM
1	40-00516	FTG-HYD 06MBSPP-06MO	7	EA
2	40-01473	FTG-HYD 12MBSPP-12MO SEAL-E	2	EA
3	40-02101	FTG-HYD 08MBSPP-08MO-STR ED	6	EA
4	40-02640	FTG-HYD 12MBSPP-08MO SEAL-E	2	EA
5	OQ4136326	SPACER SPLIT BLOCK OQ45 2.0	2	EA
6	OQ7060009	Plug 3/8" ED	4	EA
7	OQ7060016	SH CS M12 x100 Z_12.9	4	EA
8	OQ7060051	Screw MC6S M12x60 12.9	4	EA
9	OQ7072007	WASHER M12 X 19.5 X 2.5 NORDLOCK	4	EA
10	OQ7200283	Plug G1/4" ED	1	EA
11	OQ7200465	SPLITBLOCK OQ40-5/OQ45-5	1	EA
12	OQE02030	SPLIT BLOCK OQ40-5, OQ45-5	1	EA

3.0 - ELECTRICAL COUPLINGS

3.1 - V90-10



STANDARD V90 COUPLING WITH PIGTAIL HARNESS (LOOSE WIRES) SHOWN. ACTUAL V90 CONFIGURATION MAY VARY.

ITEM	PN#	NAME	QTY	UOM
1	OQ4125039	ELECTRICAL COUPLING V90-10 MALE Ø50	1	EA
2	OQ4135041	HOLDER OQ45-5 V90-10	1	EA
3	OQ5109340	MOUNTING KIT V90-10 OQ45 2.0	1	EA
4	OQ7060188	Screw A4-80 M6S M6x16	2	EA
5	OQ7072020	WASHER NORDLOCK M6 - 10.8 X 1.8 1519	2	EA
6	OQ7089013	Spring pin FRP 4x14 DIN 1481	1	EA
7	OQ7170054	Circlip AS 40 t=2,5	1	EA

Dealer:



OilQuickAmericas
155 Main Street
Superior, WI 54880
Phone: 262.607.8425
Fax: 715.395.3703

E-mail: info@oilquickamericas.com
Web: www.oilquickamericas.com