

Manufacturer:

OilQuickAmericas
155 Main Street
Superior, WI 54880
Phone: 262.607.8425
Fax: 715.395.3703

E-mail: info@oilquickamericas.com
Web: www.oilquickamericas.com

When ordering spare parts:

- Include the part number, description and desired quantities.
- Include your complete address.
- Specify how the parts are to be delivered.



TABLE OF CONTENTS

QQSS - FACTORY CONTROL

1.0 - QQSS SYSTEM

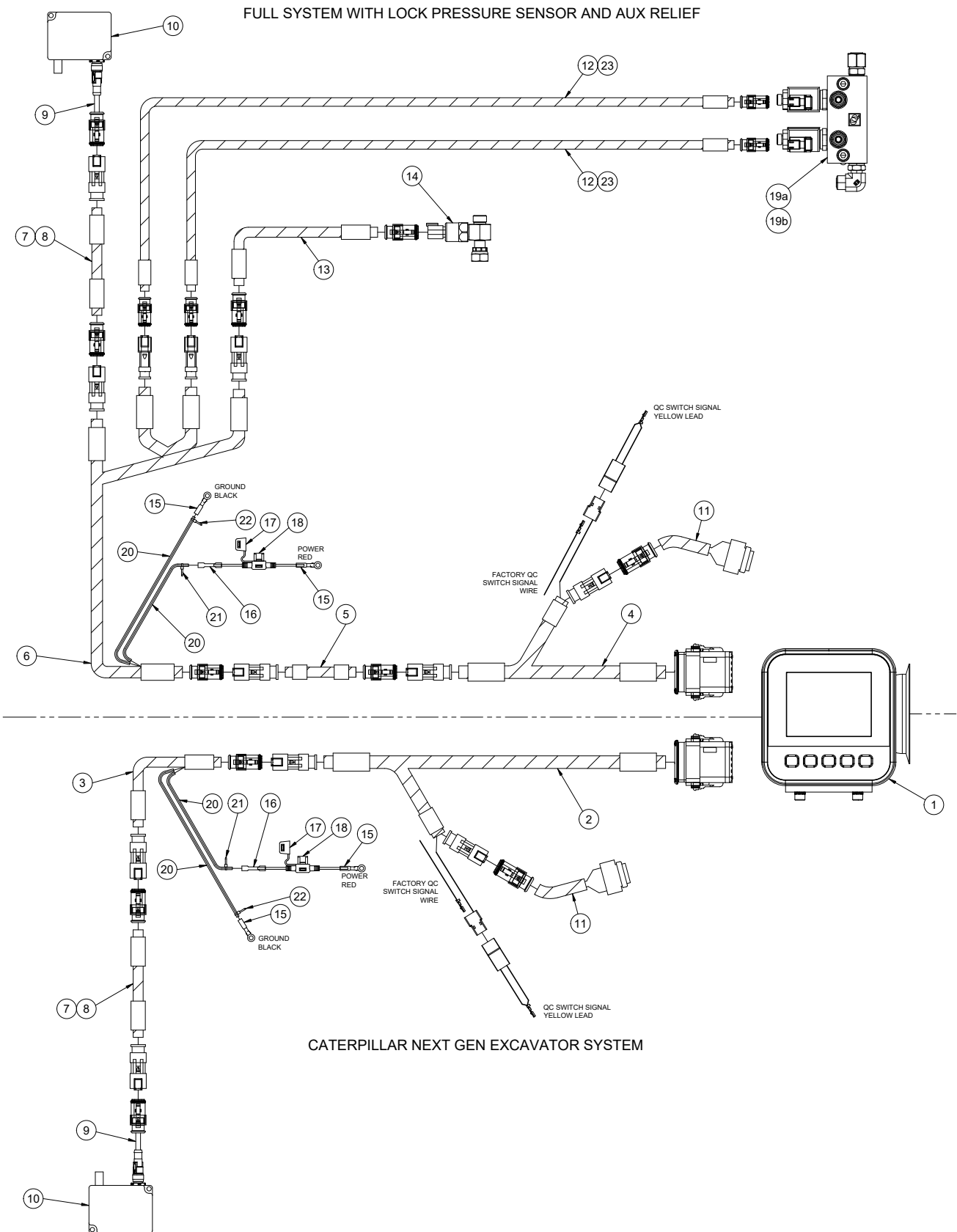
1.1 - QQSS COMPONENTS	4
1.2 - DISPLAY MODULE	6

2.0 - CONTROL VALVES

2.1 - QQ4123124 - DEPRESSURIZATION VALVE (12 VDC QQ4123125)	7
---	---

1.0 - OQSS SYSTEM

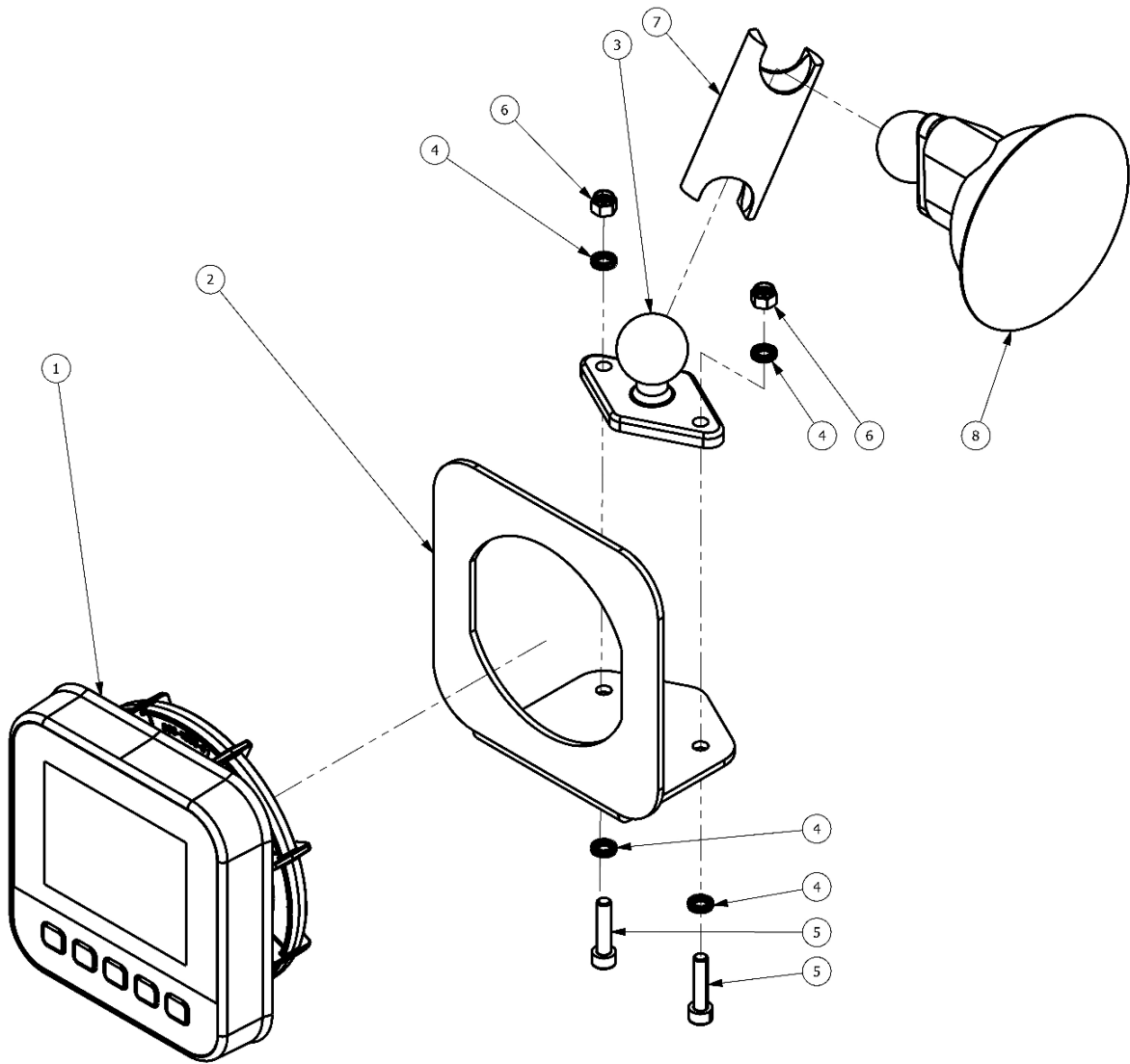
1.1 - OQSS COMPONENTS



All cables / harnesses labeled with part number at each end.

ITEM	PN#	NAME	QTY	UOM
1	OQE07464	FACTORY CONTROL OQSS DISPLAY	1	EA
2	OQE07283	HARNESS DISPLAY OQSS CAT	1	EA
3	OQE07282	CABLE CAB DT PL/RPCT SENSOR/ POWER	1	EA
4	OQE07494	HARNESS DISPLAY OQSS FACTORY CONTROL	1	EA
5	OQE07493	CABLE DT PL/RCPT 6 PIN CAB EXT 3M	1	EA
6	OQE07492	HARNESS CAB OQSS FACTORY CONTROL	1	EA
7	OQE05998	CABLE DT PL/RCPT SENSOR 4 M	1	EA
8	OQE05999	CABLE DT PL/PL PSI SENSOR I0M	1	EA
9	OQE07560	CABLE 8-POS FEMALE M12/PL 3M	1-3	EA
10	OQ1800514	LOCK SENSOR E-VA	0-1	EA
11	OQE06267	BUZZER ASSY THREE WI RE DT06-4S	0-2	EA
12	OQE05995	CABLE DT PL/PL VALVE 3M	1	EA
13	OQE06338	CABLE DT PL/PL PSI SENSOR 4M	1	EA
14	OQE06340	SENSOR PRESSURE 7500 PSI 04MB DT	1-3	EA
15	30-00864	HEAT SHRINK 22-18 RING TERMINAL, 10-24	2	EA
	30-00865	HEAT SHRINK 22-18 RING TERMINAL, 1/4"	2	EA
	30-00866	HEAT SHRINK 22-18 RING TERMINAL, 3/8"	2	EA
	30-00879	HEAT SHRINK 16-14 RING TERMINAL, 10-24	1	EA
	30-00880	HEAT SHRINK 16-14 RING TERMINAL, 1/4"	1	EA
	30-00881	HEAT SHRINK 16-14 RING TERMINAL, 3/8"	1	EA
16	30-00465	16-14AWG Blue Crimp Butt Splice	3	EA
	30-00801	22-18AWG Red Crimp Butt Splice	3	EA
17	30-00862	INLINE FUSE HOLDER MINI	1	EA
18	30-00863	FUSE IOAMP MINI	1	EA
19a	OQ4123124	VALVE- DEPRESSURIZATION 24V DT (OQ60-5- OQ120)	1	EA
19b	OQ4123125	DEPRESSURIZATION VALVE DOUBLE, 12V (OQ60-5- OQ120)	1	EA
20	30-00894	CORRUGATED SPLIT LOOM .125" ID	30	FT
21	30-00892	ZIP TIE .098" X 3.9" BLACK	15	EA
22	30-00893	ZIP TIE .098" X 3.9" RED	15	EA
23	OQE07037	CABLE DT PL/RCPT VALVE EXT 3M	0-3	EA

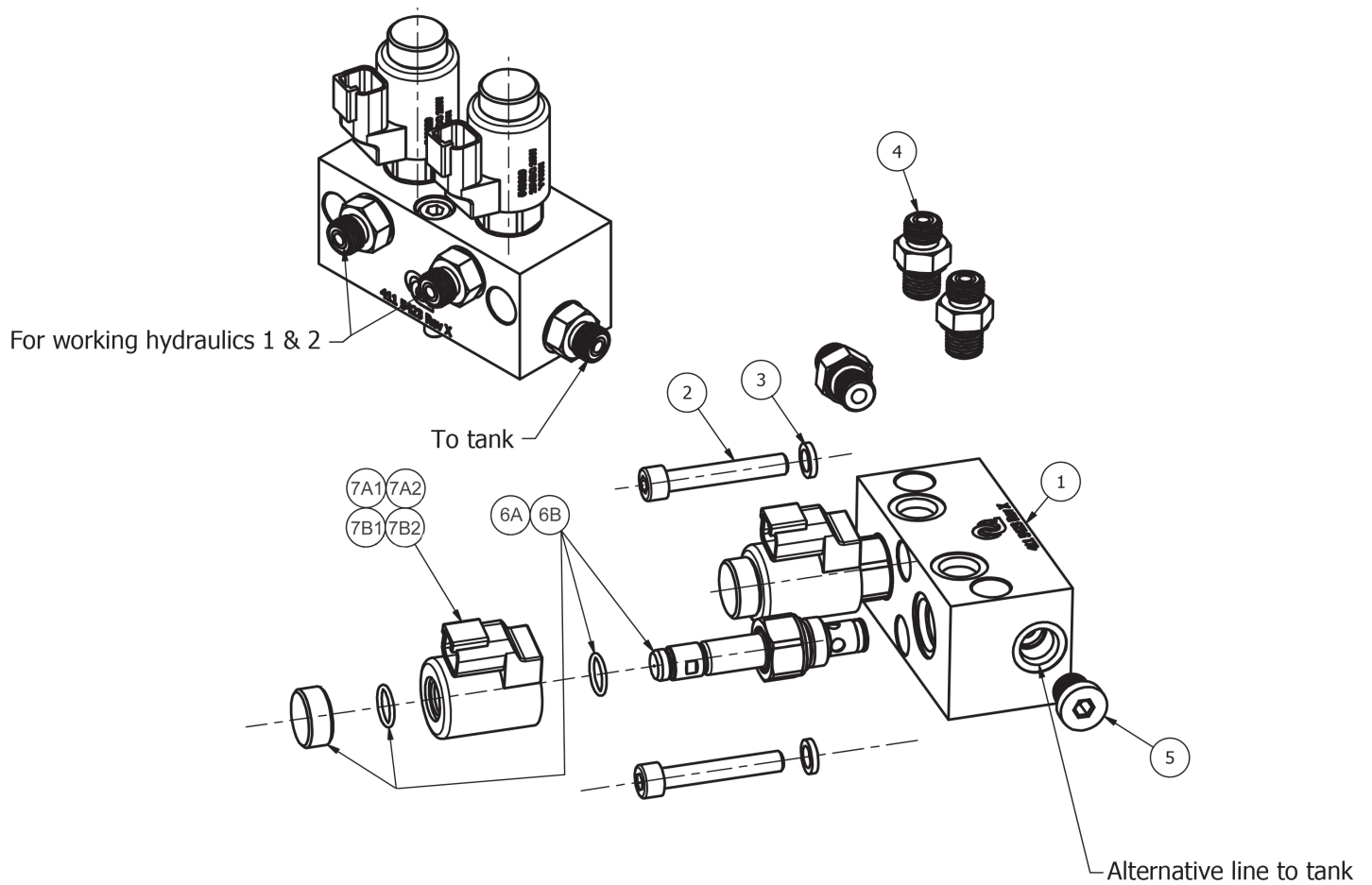
1.2 - DISPLAY MODULE



ITEM	PART#	NAME	QTY	UOM
1	OQE06265	OQ40-OQ120 OQSS DISPLAY	1	EA
2	OQE05390	PLATE BENT M835 MOUNT	1	EA
3	OQE06268	RAM MT-DIAMOND BALL BASE-B	1	EA
4	OQ7072033	WASHER NORDLOCK M5 - 9.0 X 1.8	4	EA
5	OQ7060140	SCREW MC6S M5x22 12.9	2	EA
6	50-01096	NUT NYLOCK M5 - 0.8 Z_	2	EA
7	OQE05783	RAM MT SHORT ARM-B	1	EA
8	OQE05905	RAM MT-SUCTION BASE-B BALL	1	EA

2.0 - CONTROL VALVES

2.1 - OQ4123125 - DEPRESSURIZATION VALVE - 12VDC



ITEM	PN#	NAME	QTY	UOM
1	OQE06266	OQ40-OQ120 OQSS CHASSIS MODULE	1	EA
2	50-01348	BH CS M5 - 0.80 X 25 Z-10.9	2	EA
3	OQ7072033	WASHER NORDLOCK M5 - 9.0 X 1.8	4	EA
4	50-01096	NUT NYLOCK M5 - 0.8 Z_	2	EA

Dealer:



OilQuickAmericas
155 Main Street
Superior, WI 54880
Phone: 262.607.8425
Fax: 715.395.3703

E-mail: info@oilquickamericas.com
Web: www.oilquickamericas.com