

Manufacturer:

OilQuickAmericas  
155 Main Street  
Superior, WI 54880  
Phone: 262.607.8425  
Fax: 715.395.3703

E-mail: [info@oilquickamericas.com](mailto:info@oilquickamericas.com)  
Web: [www.oilquickamericas.com](http://www.oilquickamericas.com)

When ordering spare parts:

- Include the part number, description and desired quantities.
- Include your complete address.
- Specify how the parts are to be delivered.





# TABLE OF CONTENTS

## OQ45-5

### 1.0 - QUICK COUPLER

1.1 - OQ45-5 - COUPLER ..... 4

### 2.0 - INSTALL COMPONENTS

2.1 - HOSE CLAMPS ..... 7

- 2.1.1 - OQE05449 - HOSE CLAMP 1/2" ..... 7
- 2.1.2 - OQE05455 - HOSE CLAMP 1/2" + 3/8" ..... 8
- 2.1.3 - OQE05424 - HOSE CLAMP 1/2" + 2 X 3/8" ..... 9
- 2.1.4 - OQE05452 - KIT HOSE CLAMP SPACER 2 X 2-5/8 ..... 10

2.2 - OQ5180018 - GUIDE BLOCK MANIFOLD ..... 12

### 3.0 - SERVICE COMPONENTS

3.1 - OQ5119991 - FIRST AID KIT ..... 14

### 4.0 - ATTACHMENT FRAMES

4.1 - OQ4120599 - D-FRAME ..... 16

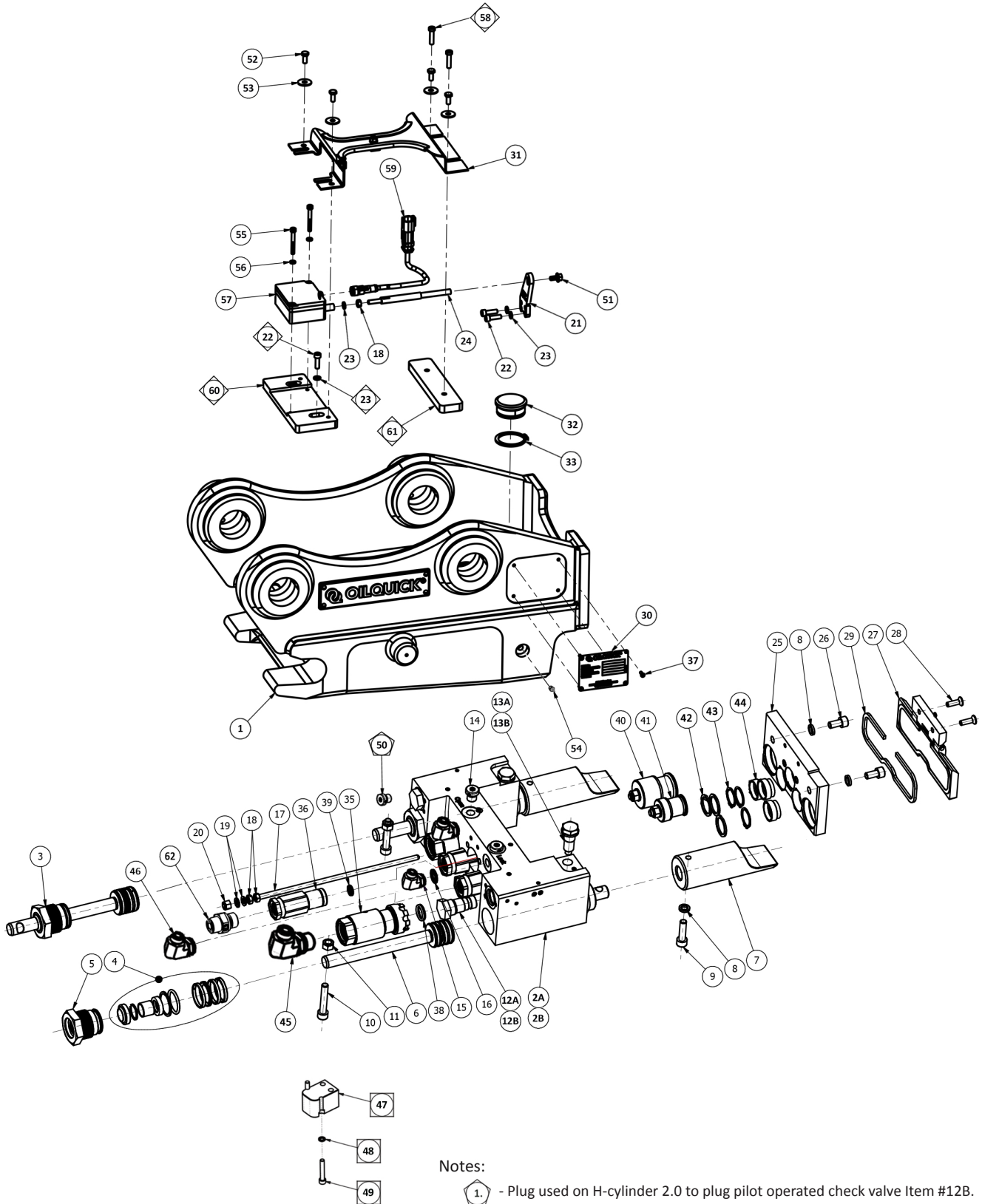
4.2 - OQ4122006 - C-FRAME ..... 18

4.3 - OQ4123711 - SPLIT BLOCKS ..... 20




4.4 - OQE05109 - MECHANICAL ATTACHMENT FRAME ..... 23

# 1.0 - COUPLER

## 1.1 - OQ45-5 - COUPLER



**Notes:**

-  1. - Plug used on H-cylinder 2.0 to plug pilot operated check valve Item #12B.
-  2. - Items used on retrofitted couplers without sensor mounting holes present on coupling body.
-  3. - Items used on OQ45-5 chassis 2.0.

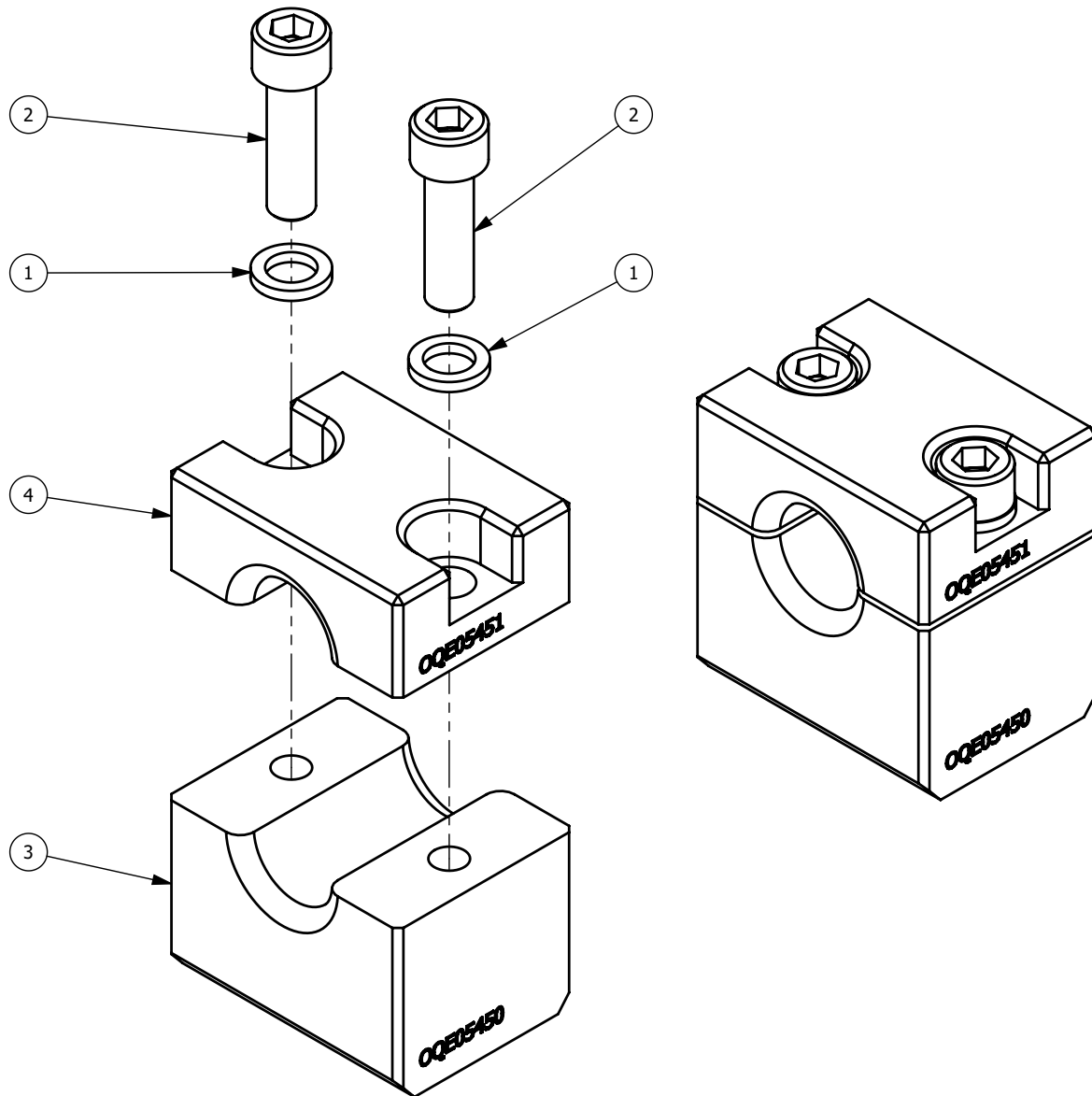
ITEM	PN#	NAME	QTY	UOM
1	-	OQ45-5 QUICK COUPLER	1	EA
2A	OQ4119539	H-CYLINDER OQ45-5	1	EA
2B	OQ4135598	H-CYLINDER 2.0 OQ45-5	1	EA
3	OQ4116129	PISTON ROD H-CYL. OQ45 COMPL.	2	EA
4	OQ7020233	SEAL KIT H-CYL. OQ45	1	EA
5	OQ4116128	GUIDE NUT, PISTON ROD OQ45	2	EA
6	OQ4116127	PISTON ROD H-CYL. OQ45	2	EA
7	OQ4109839	LOCKING PLUNGER OQ45-4/OQ45-5	2	EA
8	50-00773	WASHER NORDLOCK M8	4	EA
9	OQ7060067	SH CS M8 - 1.25 X 30 Z_10.9	2	EA
10	OQ7060102	SCREW MC6S M8 - 1.25 x 45	2	EA
11	50-00754	NUT M6M M8 NYLOCK	2	EA
12A	OQ7009012	CHECK VALVE 4CK30-I-S3-A9	2	EA
12B	OQ7009001	PILOT OPERATED CHECK VALVE H-CYL 2.0	2	EA
13A	OQ7008004	PRESSURE RELIEF VALVE	2	EA
13B	OQ7008001	PRESSURE RELIEF VALVE H-CYL 2.0	2	EA
14	OQ7200223	PLUG VSTI M12X1.5 ED	2	EA
15	OQ7200210	FTG-HYD 12MM- 04MO 90	2	EA
16	OQ7200120	SEAL WASHER M12	2	EA
17	OQ4110066	OPENING BAR OQ45-OQ60, OQL210	1	EA
18	50-00082	NUT M6 - 1.00 Z_8	3	EA
19	50-00187	WASHER M6 - 12.0 X 1.5 Z	2	EA
20	OQ7065021	LOCKING NUT M6 NYLOCK	1	EA
21	OQE06968	OQ45-5 SENSOR BRACKET	1	EA
22	50-00081	SH CS M6 - 1.00 X 20 Z_12.9 (SEE NOTE 2)	4	EA
23	50-00905	WASHER NORDLOCK M6 - 10.8 X 1.8 1519 (SEE NOTE 2)	5	EA
24	OQE05928	OQ45-5 E-VA ROD-138MM	1	EA
25	OQ4121994	GUIDE PLATE OQ40-5, OQ45-5	1	EA
26	OQ7060098	SCREW MC6S M8 - 1.25 x 16 12.9	2	EA
27	OQ4119542	DIRT GUARD OQ45-5	1	EA
28	OQ7060091	SCREW MF6S M6x20 10.9	2	EA
29	OQ4115211	RUBBER SEAL, DIRT GUARD	1	EA
30	OQE04743	SERIAL TAG - OILQUICK AMERICAS	1	EA

ITEM	PN#	NAME	QTY	UOM
31	OQE06608	GUARD ASSY OQSS OQ45	1	EA
32	OQ4115432	PLUG - V90 OQ45-90	1	EA
33	OQ7170038	CIRCLIP AS-45 T=2.5	1	EA
34	OQ7410059	PINCH DECAL	2	EA
35	OQ4118550	HYDRAULIC COUPLING 1/2", M22 FEMALE	2	EA
36	OQ4118780	HYDRAULIC COUPLING 3/8", FEMALE -06FBSPP	3	EA
37	50-01065	DRIVE SCREW #6 X 3/8 STAINLESS RIVET	4	EA
38	OQ7020130	NOSE SEAL 1/2"	2	EA
39	OQ7020270	NOSE SEAL 3/8"	3	EA
40	OQ4121137	POLY ADAPTER 1/2", H-CYLINDER	2	EA
41	OQ4121140	POLY ADAPTER 1/4"+3/8" H-CYLINDER	3	EA
42	OQ4121984	WASHER SUPPORT 0.875 - 1.18 X 0.08 P	3	EA
43	OQ7170026	SNAP RING 1/4"	3	EA
44	OQ4121997	ADAPTER RING 3/8", GUIDE PLATE	3	EA
45	OQ7200227	ELBOW ORFS08 UF-M22X1,5 UF 90° ADJ	2	EA
46	OQ7200409	ELBOW ORFS06 UF-G3/8" UF 90° ADJ	3	EA
47	OQ4135406	CHASSIS 2.0 H-CYL MOUNT OQ45-OQ60 (SEE NOTE 3)	2	EA
48	50-00773	WASHER NORDLOCK M8 - 13.5 X 2.5 1231 (SEE NOTE 3)	2	EA
49	OQ7060056	SCREW MC6S M8 - 1.25 x 50 12.9 (SEE NOTE 3)	2	EA
50	OQ7200224	PLUG VSTI M16x1,5 ED (SEE NOTE 1)	2	EA
51	50-01346	FH CS M6 - 1.0 X 12 Z_8.8	1	EA
52	OQ7060082	SCREW M6S M6x14 8.8 FZB	4	EA
53	OQ7072029	WASHER FNDR M6 - 28.0 Z	4	EA
54	OQ7205005	FTG-ZERK M10 X 1.5	1	EA
55	50-01095	SH CS M5 - 0.8 X 40 Z_12.9	2	EA
56	OQ7072033	WASHER NORDLOCK M5 - 9.0 X 1.8	2	EA
57	OQ1800514	LOCK SENSOR E-VA	1	EA
58	50-00904	SH CS M6 - 1.00 X 25_Z 10.9 (SEE NOTE 2)	2	EA
59	OQE07560	CABLE 8-POS FEMALE M12/PL 3M	1	EA
60	OQE07012	OQSS RETRO MOUNT PLATE OQ45 (SEE NOTE 2)	1	EA
61	OQE07013	OQSS RETRO SPACER PLATE OQ45 (SEE NOTE 2)	1	EA
62	40-00516	FTG-HYD 06MBSPP-06MO SEAL-E	1	EA

## 2.0 - INSTALL COMPONENTS

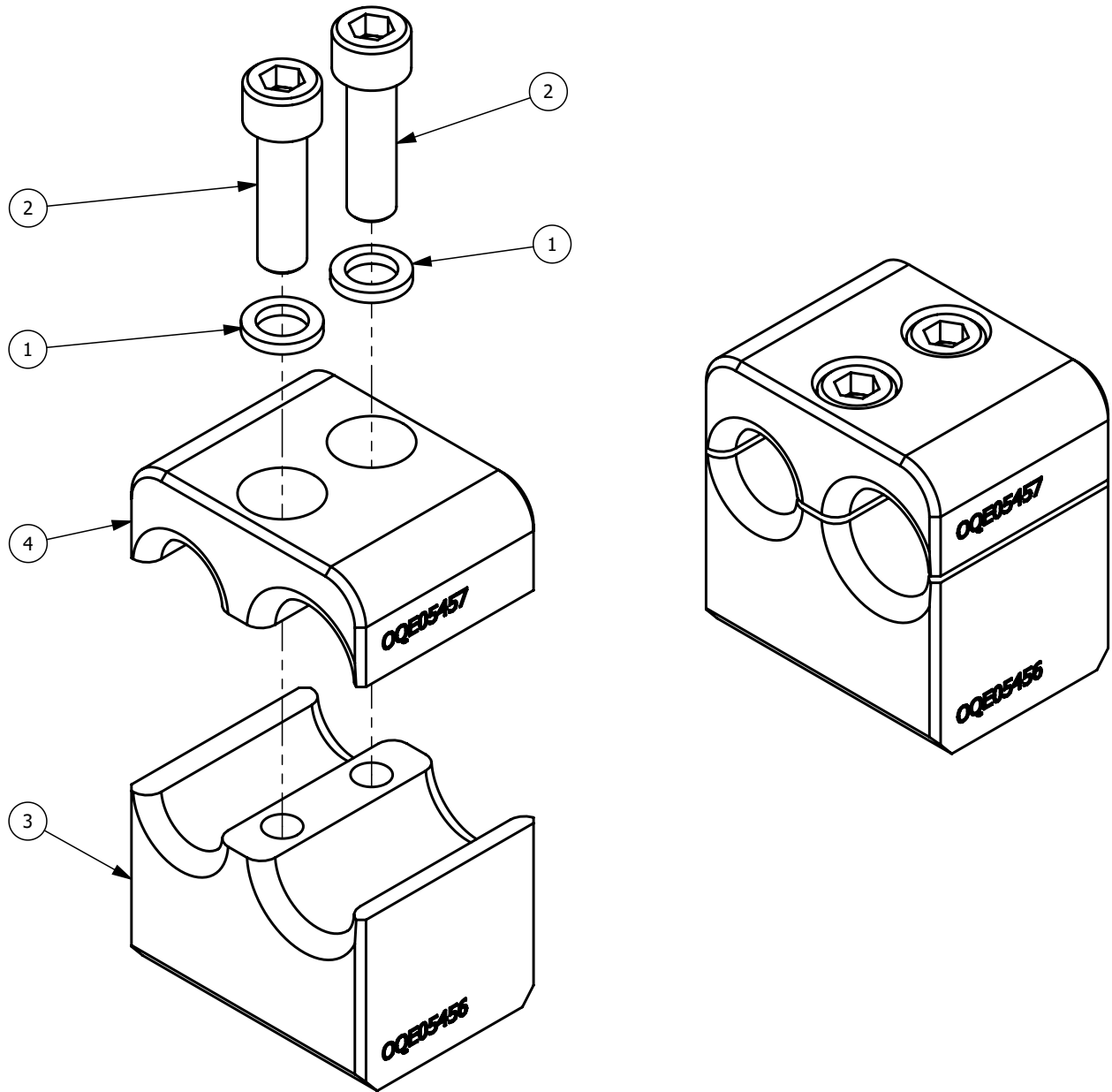
### 2.1 - HOSE CLAMPS

#### 2.1.1 - OQE05449 - HOSE CLAMP 1/2"



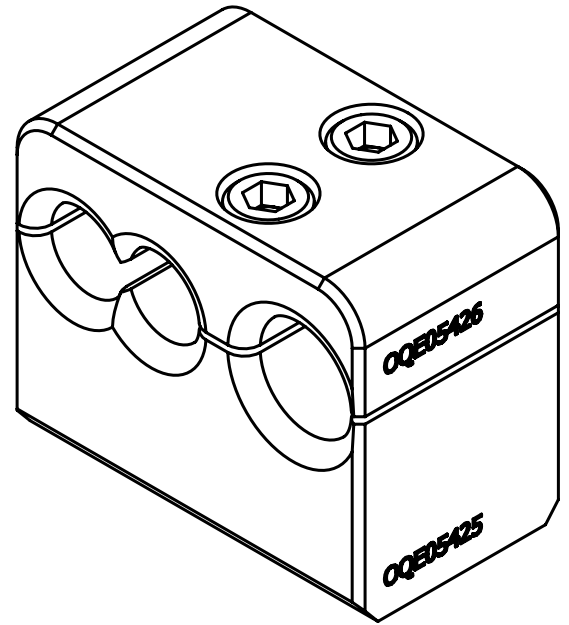
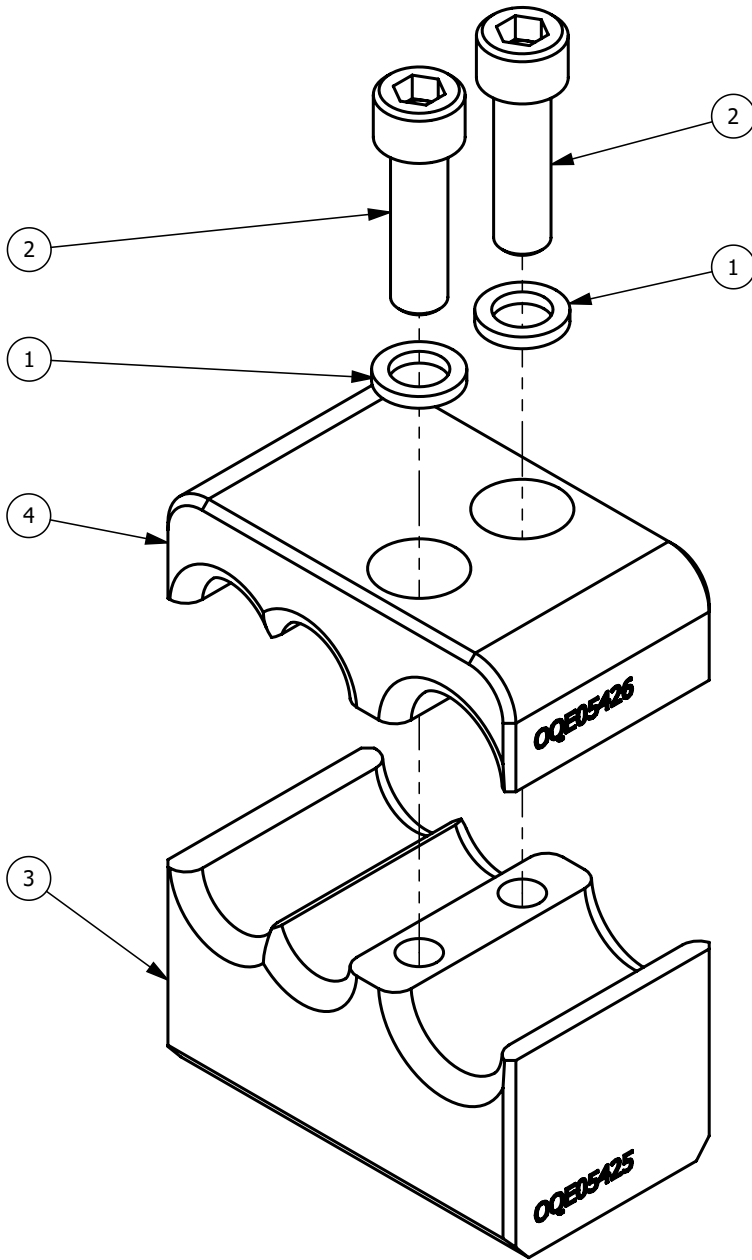
ITEM	PN#	NAME	QTY	UOM
1	50-00682	WASHER NORDLOCK M10 - 16.6 X 2.5 1244	2	EA
2	OQ7060099	SH CS M10 - 1.50 X 35 Z_8.8	2	EA
3	OQE05450	HOSE CLAMP BASE 1/2"	1	EA
4	OQE05451	HOSE CLAMP TOP 1/2"	1	EA

### 2.1.2 - OQE05455 - HOSE CLAMP 1/2" + 3/8"



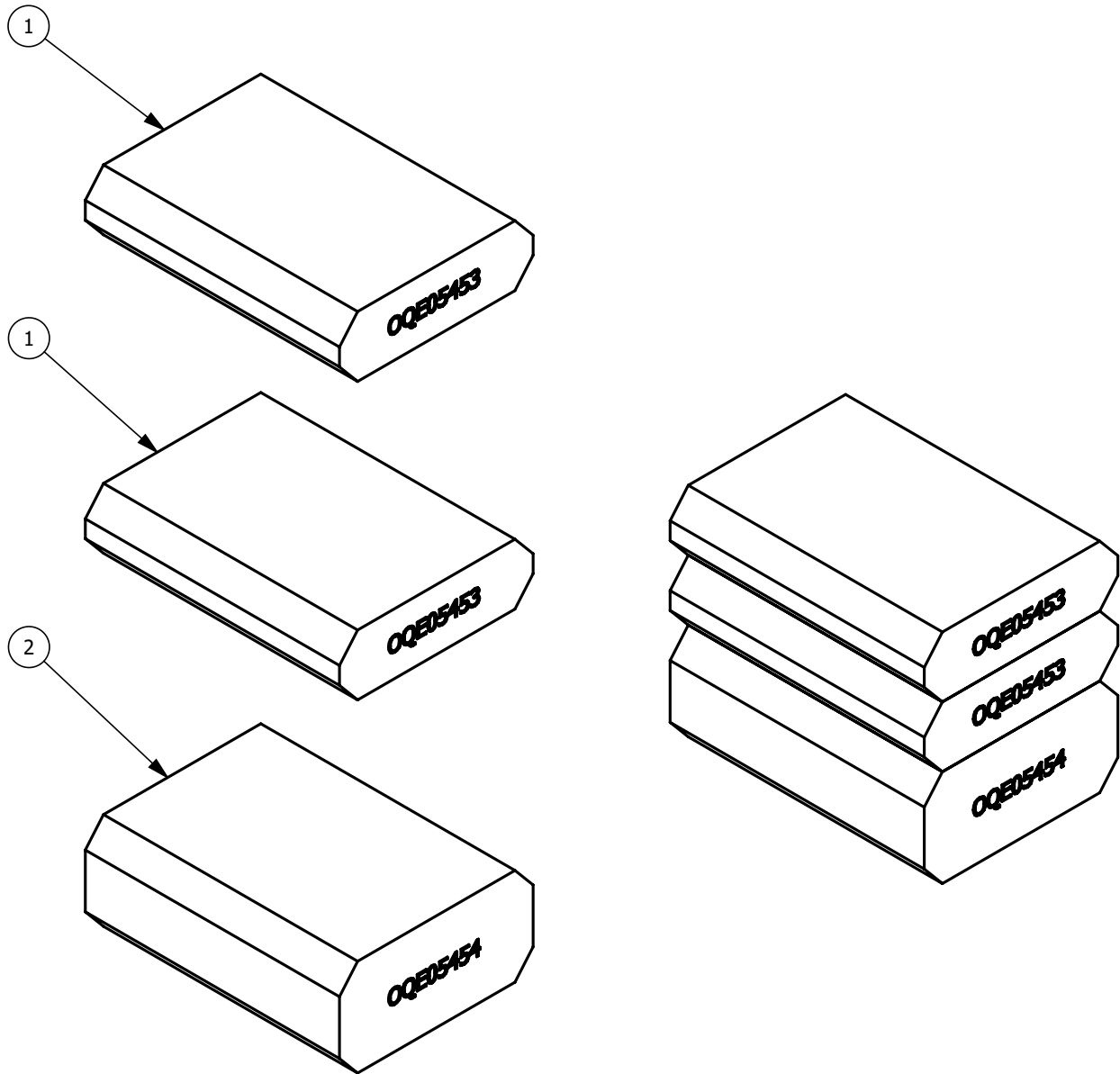
ITEM	PN#	NAME	QTY	UOM
1	50-00682	WASHER NORDLOCK M10 - 16.6 X 2.5 1244	2	EA
2	OQ7060099	SH CS M10 - 1.50 X 35 Z_8.8	2	EA
3	OQE05456	HOSE CLAMP BASE 1/2"+3/8"	1	EA
4	OQE05457	HOSE CLAMP TOP 1/2"+3/8"	1	EA

2.1.3 - OQE05424 - HOSE CLAMP 1/2" + 2 X 3/8"



ITEM	PN#	NAME	QTY	UOM
1	50-00682	WASHER NORDLOCK M10 - 16.6 X 2.5 1244	2	EA
2	OQ7060099	SH CS M10 - 1.50 X 35 Z_8.8	2	EA
3	OQE05425	HOSE CLAMP BASE 1/2"+2x3/8"	1	EA
4	OQE05426	HOSE CLAMP TOP 1/2"+2x3/8"	1	EA

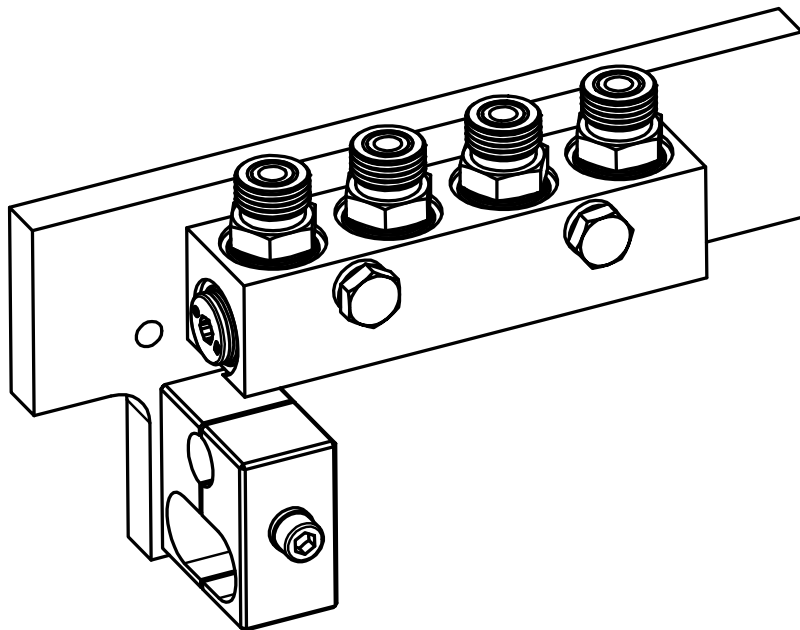
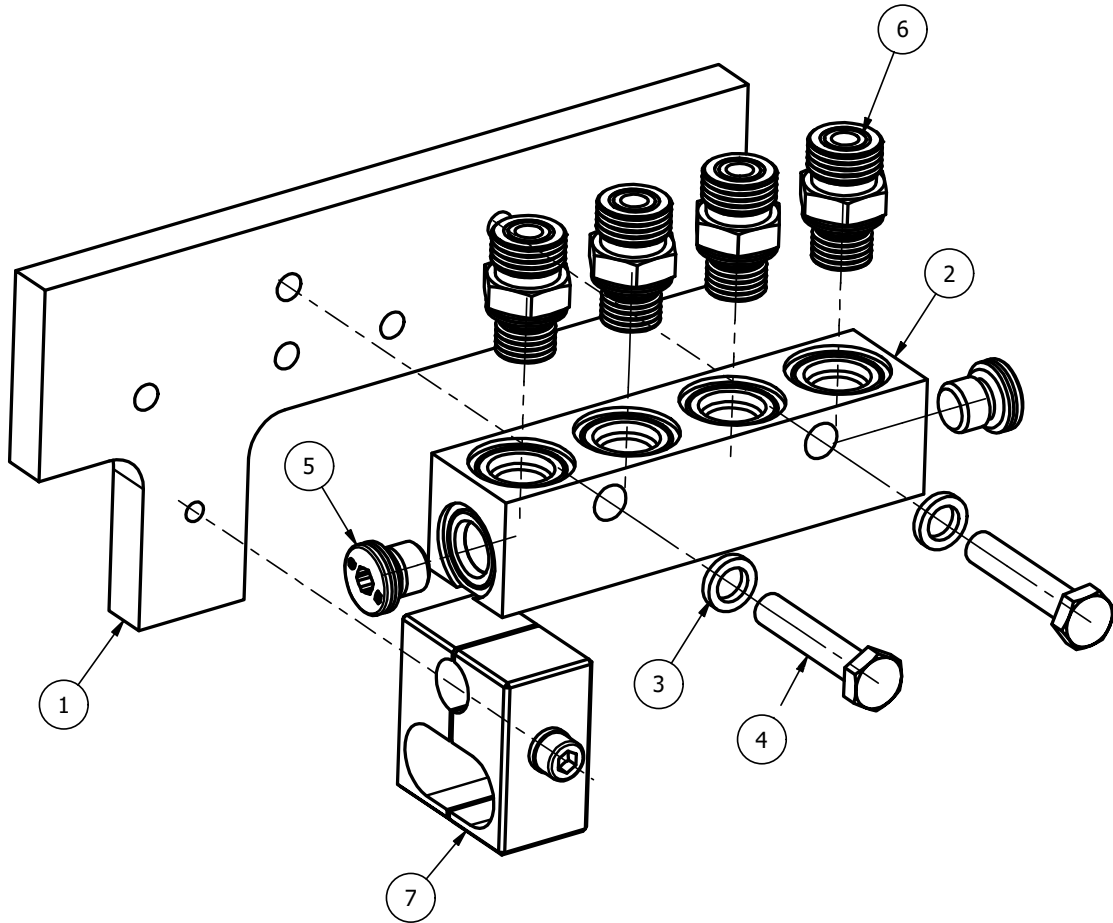
2.1.4 - OQE05452 - KIT HOSE CLAMP SPACER 2 X 2-5/8



ITEM	PN#	NAME	QTY	UOM
1	OQE05453	HOSE CLAMP SPACER 2 X 2-5/8 X 5/8	2	EA
2	OQE05454	HOSE CLAMP SPACER 2 X 2-5/8 X 1	1	EA



## 2.2 - OQ5180018 - GUIDE BLOCK MANIFOLD



ITEM	PN#	NAME	QTY	UOM
1	OQ4115481	BRACKET, LOCKING CIRCUIT	1	EA
2	OQ4115477	COUPLING KIT 1/2" OQ70-90 NO BLOCK	1	EA
3	OQ7072021	HYDR. BLOCK, LOCKING FUNCTION	2	EA
4	OQ7060005	SCREW M6S 8X40	2	EA
5	OQ7200208	PLUG VSTI M12X1.5	2	EA
6	OQ7200213	NIPPLE ORFS06 UF-M14x1,5 UF	4	EA
7	OQ5180161	CABLE CLAMP KIT - 13MM + 2X18MM	1	EA

### 3.0 - SERVICE COMPONENTS

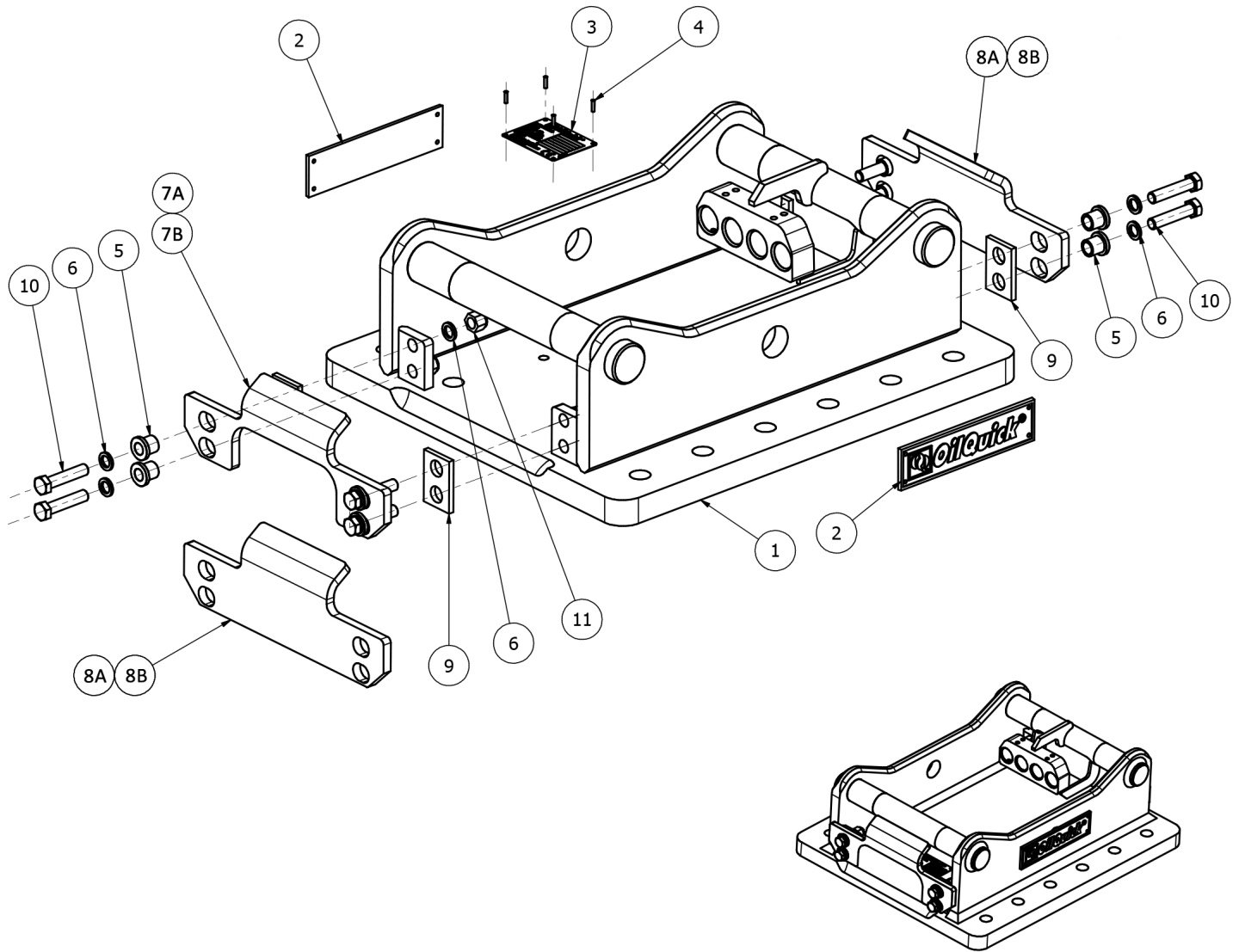
#### 3.1 - OQ5119991 - FIRST AID KIT

ITEM	PN#	NAME	QTY	UOM
1	OQ7020270	NOSE SEAL 3/8"	4	EA
2	OQ7020130	NOSE SEAL 1/2"	4	EA
3	OQ4118755	PUSHER 3/8"	1	EA
4	OQ4112220	PUSHER 1/2"	1	EA
5	OQ4121990	MOUNTING TOOL 3/8"	1	EA
6	OQ4116298	MOUNTING TOOL 1/2"	1	EA
7	OQ7410094	FIRST AID KIT	1	EA
8	OQ7406065	FIRST AID KIT BOX	1	EA



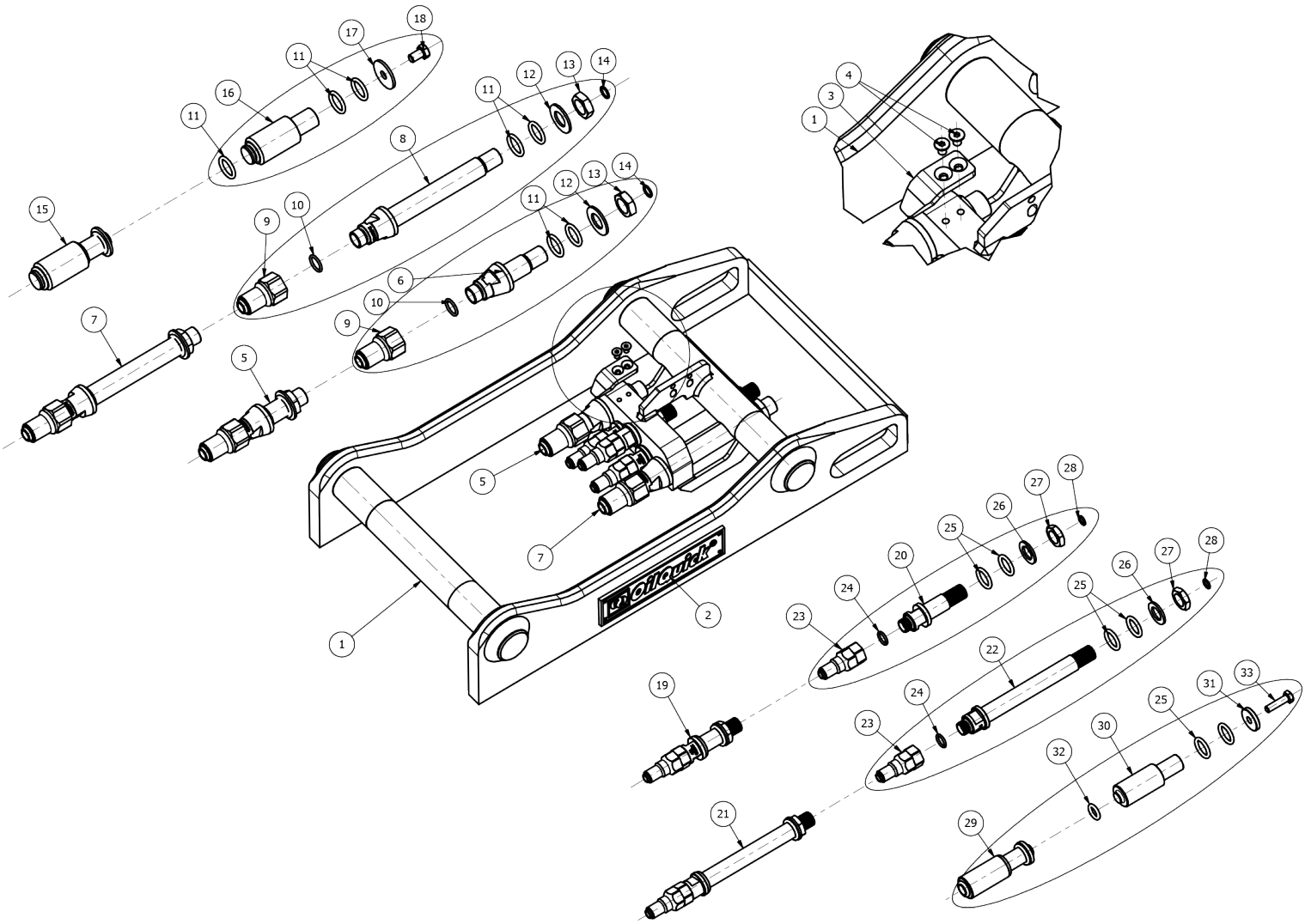
## 4.0 - ATTACHMENT FRAME

### 4.1 - OQ4120599 - D-FRAME



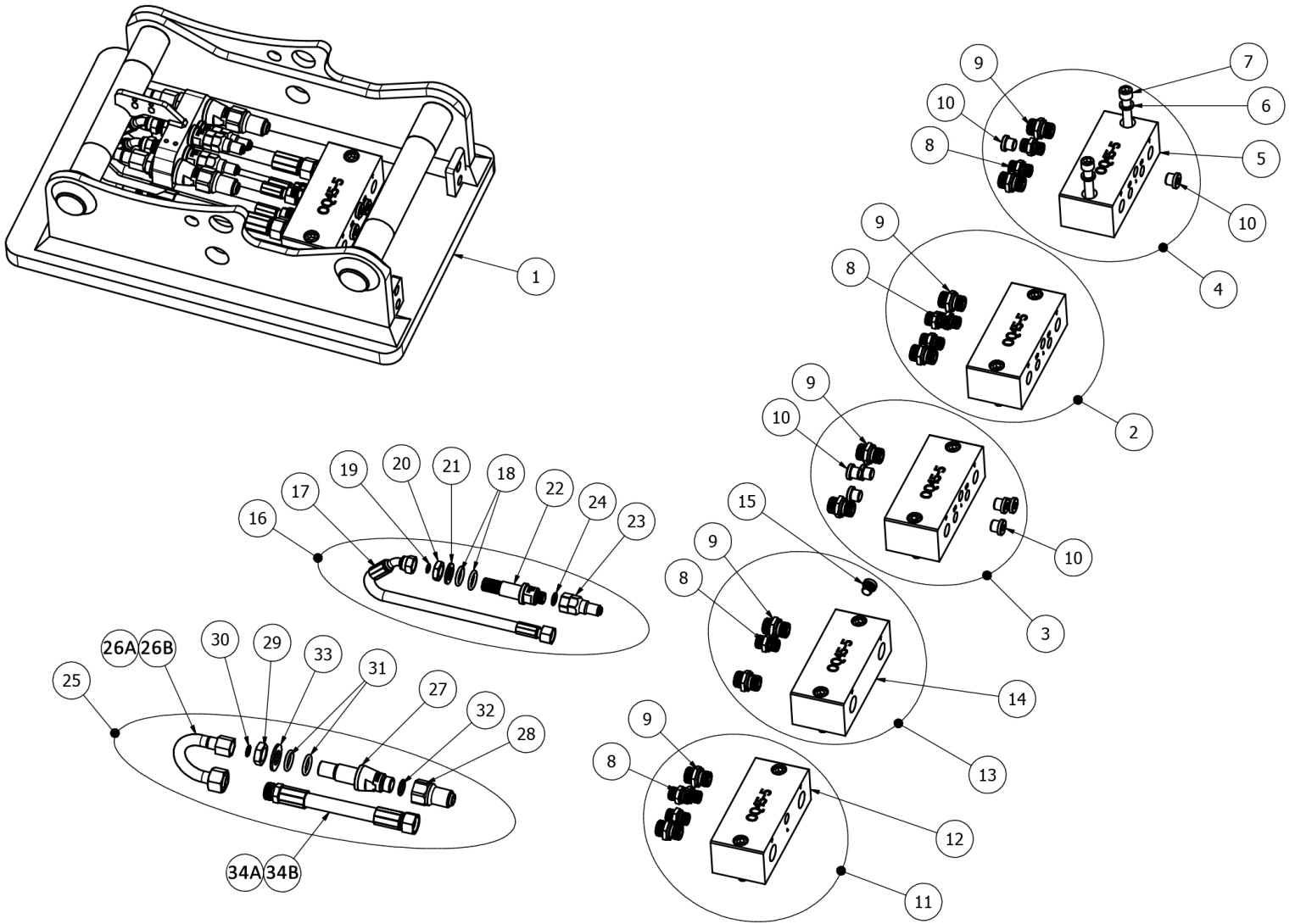
ITEM	PN#	NAME	QTY	UOM
1	OQ411xxxx	ATTACHMENT BRACKET	1	EA
2	OQ4116145	EMBLEM - OILQUICK - OQ45-OQ65	2	EA
3	OQ4118161	OILQUICK IDENTIFACTION PLATE SERIAL TAG	1	EA
4	OQ7093007	RIVET POP 3.2 x12.3 ALUMINUM	4	EA
5	OQ4120324	SLEEVE - PROTECTION PLATE TOOL ADAPT	8	EA
6	OQ7072007	WASHER NORDLOCK M12-19.5 X 2.5 1262	16	EA
7A	OQ4120348	PROTECTION PLATE - OQ45 CUTOUT	1	EA
7B	OQE04783	PROTECTION PLATE - OQ45 CUTOUT	1	EA
8A	OQ4120349	PROTECTION PLATE - OQ45 SOLID	2	EA
8B	OQE04784	PROTECTION PLATE - OQ45 SOLID	2	EA
9	OQ4120566	RUBBER SPACER OQ45	4	EA
10	OQ7060217	HH CS M12 x 55 8.8_FZB	8	EA
11	OQ7065005	NUT- M12 NYLOCK	8	EA

## 4.2 - OQ4122006 - C-FRAME



ITEM	PN#	NAME	QTY	UOM
1	OQ4119567	ATTACHMENT BRACKET OQ45-5	1	EA
2	OQ4116145	EMBLEM - OILQUICK - OQ45-OQ65	2	EA
3	OQ4119565	DEFLECTOR OQ45-5	1	EA
4	OQ7060145	SCREW MF6S M6x10 10.9 OBH	2	EA
5	OQ4114556	COUPLING KIT 1/2" OQ45-5 NO BLOCK	2	EA
6	OQ4114555	BULKHEAD 1/2" SHORT OQ45-5	2	EA
7	OQ4114558	LOCKING PLUNGER OQ45-4/OQ45-5	2	EA
8	OQ4114557	BULKHEAD 1/2" LONG OQ45-5	2	EA
9	OQ7206017	HYDRAULIC COUPLING 1/2", MALE	2	EA
10	OQ7160048	O-RING 17,6x2,62 NBR70	2	EA
11	OQ7160031	RUBBER RING 22x4	10	EA
12	OQ4112316	WASHER 0.750 - 1.49 X 0.12 P	2	EA
13	40-00501	FTG-HYD 08MO LOCKNUT	2	EA
14	OQ7160045	O-RING-014 -08MO (12,42x1,78) NBR 90D	2	EA
15	OQ4112662	POLY ADAPTER 1/2" OQ45-5	2	EA
16	OQ4112661	POLY ADAPTER 1/2"	2	EA
17	OQ4112660	WASHER 1/2"	2	EA
18	OQ7060118	SCREW	2	EA
19	OQ5109935	COUPLING KIT 3/8" OQ45-5 NO BLOCK	3	EA
20	OQ4119568	BULKHEAD 3/8" SHORT OQ45-5	3	EA
21	OQ5109936	COUPLING KIT 3/8" LONG COMP.	2	EA
22	OQ4119569	BULKHEAD 3/8" LONG OQ45-5	2	EA
23	OQ4118750	HYDRAULIC COUPLING 3/8", MALE	2	EA
24	OQ7160058	O-RING 13.3x2.4 NBR90	3	EA
25	OQ7160077	O-RING 20x4 NBR70	12	EA
26	OQ4114030	WASHER 0.625 X 1.16 - 0.10 Z	3	EA
27	40-00502	FTG-HYD 06MO LOCKNUT	3	EA
28	OQ7160078	O-RING 9,25x1,78 NBR70	3	EA
29	OQ5109916	POLY ADAPTER 1/4" & 3/8" OQ45-5	3	EA
30	OQ4119594	POLY ADAPTER 1/4" & 3/8"	3	EA
31	OQ4114173	WASHER 1/4"	3	EA
32	OQ7160079	O-RING Ø13x4 NBR70	3	EA
33	50-00753	HH CS M8 - 1.25 X 30	3	EA

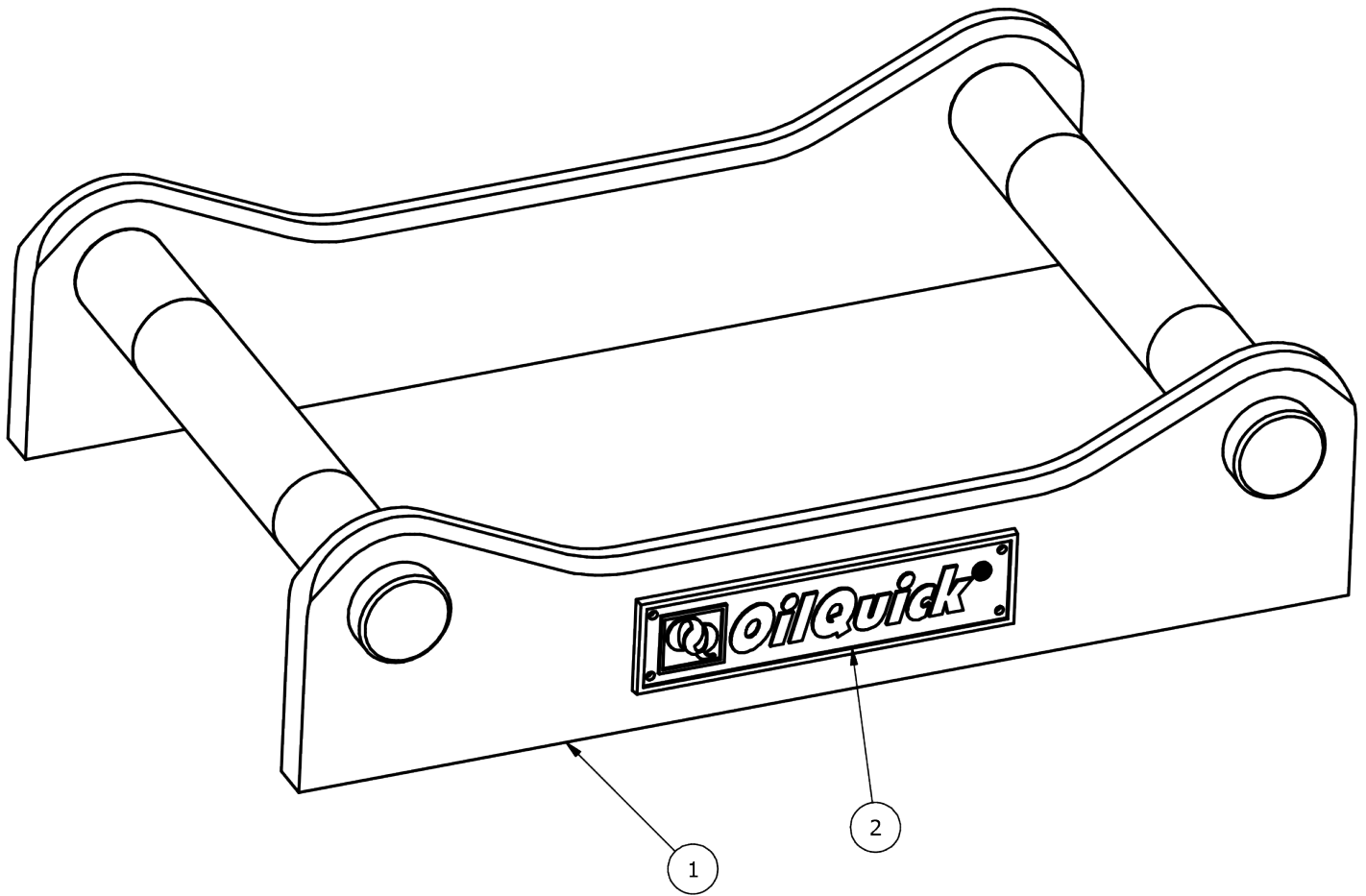
### 4.3 - OQ4123711 - SPLIT BLOCKS



ITEM	PN#	NAME	QTY	UOM
1	OQ412xxxx	QUICK COUPLER BODY	1	EA
2	OQ5109944	HYD.BLOCK KIT 2x1/2", 3x3/8"	1	EA
3	OQ5109945	HYDR.BLOCK KIT 2x1/2"	1	EA
4	OQ5109142	HYDR.BLOCK KIT 2x1/2", 2x3/8", OQ45	1	EA
5	OQ7200465	SPLITBLOCK OQ40-5/OQ45-5	1	EA
6	OQ7072007	WASHER NORDLOCK M12-19.5 X 2.5 1262	2	EA
7	OQ7060051	SCREW MC6S M12x60 12.9	2	EA
8	OQ7200445	NIPPLE 12L-G3/8" UF ED	2	EA
9	OQ7200279	NIPPLE 15L-G1/2" UF	2	EA
10	OQ7060009	PLUG 3/8" ED	2	EA
11	OQ5109942	HYDR.BLOCK KIT 2x1/2", 3x3/8" SPLIT	1	EA
12	OQ7200463	SPLITBLOCK OQ4-5, OQ45-5	1	EA
13	OQ5109943	HYDR.BLOCK KIT 2x1/2", 1x3/8" split	1	EA
14	OQ7200464	SPLITBLOCK OQ40-5, OQ45-5	1	EA
15	OQ7200283	PLUG G1/4" ED	1	EA
16	OQ5109133	COUPLING KIT 3/8" OQ45-5 BLOCK	3	EA
17	OQ7150251	HYDRAULIC HOSE 1/4" L=350 & 3/8"	1	EA
18	OQ7160077	O-RING 20x4 NBR70	2	EA
19	OQ7160078	O-RING 9,25x1,78 NBR70	1	EA
20	OQ7065043	NUT 11/16"-16 UN	1	EA
21	OQ4114030	WASHER 0.625 X 1.16 - 0.10 Z	1	EA
22	OQ4119568	BULKHEAD 3/8" SHORT OQ45-5	1	EA
23	OQ4118750	HYDRAULIC COUPLING 3/8", male	1	EA
24	OQ7160058	O-RING 13.3x2.4 NBR90	1	EA
25	OQ5109104	COUPLING KIT 1/2" OQ45-5 BLOCK	2	EA

ITEM	PN#	NAME	QTY	UOM
26A	OQ4118556	PIPE 1/2", OQ45 TOOL ADAPTER	1	EA
26B	OQE02025	TUBE - OQ45 .065 -08FOX -08MO	1	EA
27	OQ4114555	BULKHEAD 1/2" SHORT OQ45-5	1	EA
28	OQ7206017	HYDRAULIC COUPLING 1/2", MALE	1	EA
29	40-00501	FTG-HYD 08MO LOCKNUT	1	EA
30	OQ7160045	O-RING-014 -08MO (12,42x1,78) NBR 90D	1	EA
31	OQ7160031	RUBBER RING 22x4	2	EA
32	OQ7160048	O-RING 17,6x2,62 NBR70	1	EA
33	OQ4112316	WASHER 0.750 - 1.49 X 0.12 P	1	EA
34A	OQ7150338	HYDRAULIC HOSE 1/2" L=222	2	EA
34B	OQE02026	HOSE-HYD 08-08FOX-08FOX	1	EA

#### 4.4 - OQE05109 - MECHANICAL ATTACHMENT FRAME



ITEM	PN#	NAME	QTY	UOM
1	OQE00112	ATTACHMENT BRACKET	1	EA
2	OQ4116145	PLATE OILQUICK	2	EA

Dealer:



OilQuickAmericas  
155 Main Street  
Superior, WI 54880  
Phone: 262.607.8425  
Fax: 715.395.3703

E-mail: [info@oilquickamericas.com](mailto:info@oilquickamericas.com)  
Web: [www.oilquickamericas.com](http://www.oilquickamericas.com)