

**Manufacturer:**

OilQuickAmericas  
155 Main Street  
Superior, WI 54880  
Phone: 262.607.8425  
Fax: 715.395.3703

E-mail: [info@oilquickamericas.com](mailto:info@oilquickamericas.com)  
Web: [www.oilquickamericas.com](http://www.oilquickamericas.com)

**When ordering spare parts:**

- Include the part number, description and desired quantities.
- Include your complete address.
- Specify how the parts are to be delivered.





# TABLE OF CONTENTS

## OQ60-5

### 1.0 - QUICK COUPLER

1.1 - OQ60-5 - COUPLER .....	4
------------------------------	---

### 2.0 - INSTALL COMPONENTS

2.1 - HOSE CLAMPS	
2.1.1 - OQ4119580 - HOSE CLAMP 3/4" .....	8
2.1.2 - OQ4119423 - HOSE CLAMP 3/4" + 1/2" .....	9
2.1.3 - OQ4124041 - HOSE CLAMP 3/4" + 2" x 1/2" .....	10
2.1.4 - OQ4119458 - HOSE CLAMP SPACER KIT .....	11
2.2 - OQ5180018 - GUIDE BLOCK MANIFOLD .....	12

### 3.0 - SERVICE COMPONENTS

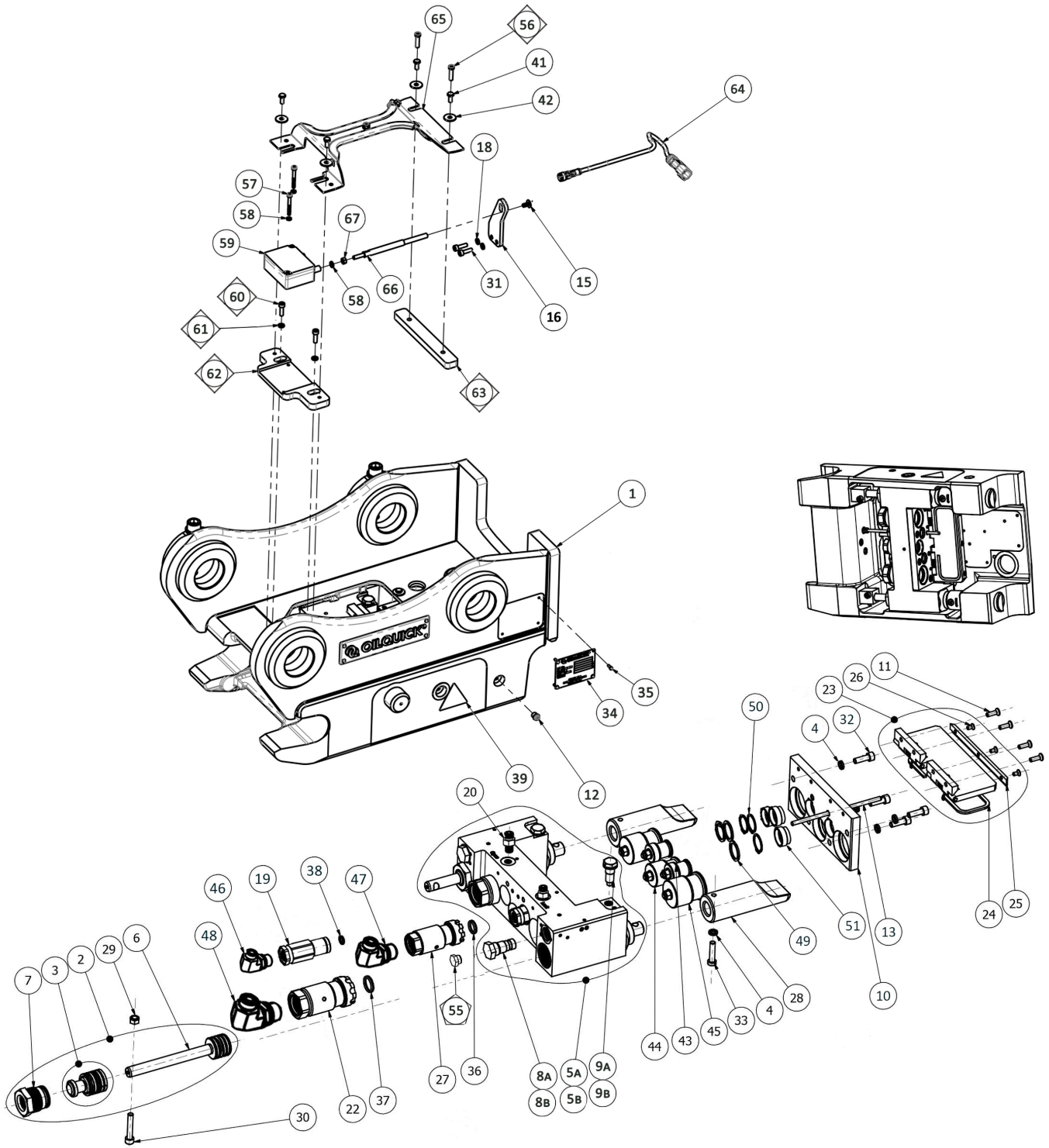
3.1 - OQ5110981 - FIRST AID KIT OQ60 .....	14
--	----

### 4.0 - ATTACHMENT FRAMES

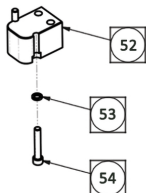
4.1 - OQ4120600 - D-FRAME .....	15
4.2 - OQ4122018 - C-FRAME .....	16
4.3 - OQ4118854 - SPLIT BLOCKS .....	20
4.4 - OQE05111 - MECHANICAL FRAME .....	23

# 1.0 - COUPLER

## 1.1 - OQ60-5 - COUPLER



**Notes:**



- 1. - Plugs used on H-cylinder 2.0 to plug pilot operated check valve Item 8B.
- 2. - Items used on retrofitted couplers without sensor mounting holes present on coupling body.
- 3. - Items used on OQ60-5 chassis 2.0.

ITEM	PN#	NAME	QTY	UOM
1	–	OQ60-5 QUICK COUPLER	1	EA
2	OQ4115529	PISTON ROD H-CYL. OQ60 COMPL.	2	EA
3	OQ7020225	SEAL KIT H-CYL. OQ60	1	EA
4	50-00773	WASHER NORDLOCK M8	6	IN
5A	OQ4117996	H-CYLINDER OQ60-5	1	EA
5B	OQ4135064	H-CYLINDER 2.0 OQ60-5	1	EA
6	OQ4115527	PISTON ROD H-CYL. OQ60 T=50	2	EA
7	OQ4115528	PISTON GUIDE OQ60-4 OQ60-5 H-CYL 2.0	2	EA
8A	OQ7009012	CHECK VALVE 4CK30-I-S3-A9	2	EA
8B	OQ7009001	PILOT OPERATED CHECK VALVE H-CYL 2.0	2	EA
9A	OQ7008004	PRESSURE RELIEF VALVE	2	EA
9B	OQ7008001	PRESSURE RELIEF VALVE H-CYL 2.0	2	EA
10	OQ4122005	GUIDE PLATE	1	EA
11	OQ7060091	SCREW MF6S M6x20 10.9	4	EA
12	OQ7205005	FTG-ZERK M10 X 1.5	4	EA
13	OQ4110066	OPENING BAR OQ45-OQ60, OQL210	1	EA
14	OQ7065010	NUT M6M M 6 FZB	2	EA
15	50-01346	FH CS M6 - 1.0 X 12 Z_8.8	2	EA
16	OQE06969	OQ60-5 SENSOR BRACKET	1	EA
17	OQ4110551	INDICATOR ROD OQ45-OQ60	2	EA
18	50-00905	WASHER NORDLOCK M6 - 10.8 X 1.8 1519	2	EA
19	OQ4118780	HYDRAULIC COUPLING 3/8", FEMALE -06FBSPP	2	EA
20	OQ7200000	FTG-HYD 12MME-04MO	2	EA
21	50-00187	WASHER M6 - 12.0 X 1.5 Z	1	EA
22	OQ4118524	HYDRAULIC COUPLING 3/4", M27 FEMALE	2	EA
23	OQ4118032	DIRT GUARD OQ60-5	1	EA
24	OQ4115211	RUBBER SEAL, DIRT GUARD	1	EA
25	OQ4118031	GUIDE	1	EA
26	OQ7060136	SCREW MF6S M5x10 10.9	3	EA
27	OQ4118550	HYDRAULIC COUPLING 1/2", M22 FEMALE	1	EA
28	OQ4115563	LOCKING PLUNGER OQ60	2	EA
29	50-00754	NUT M6M M8 NYLOCK	2	EA

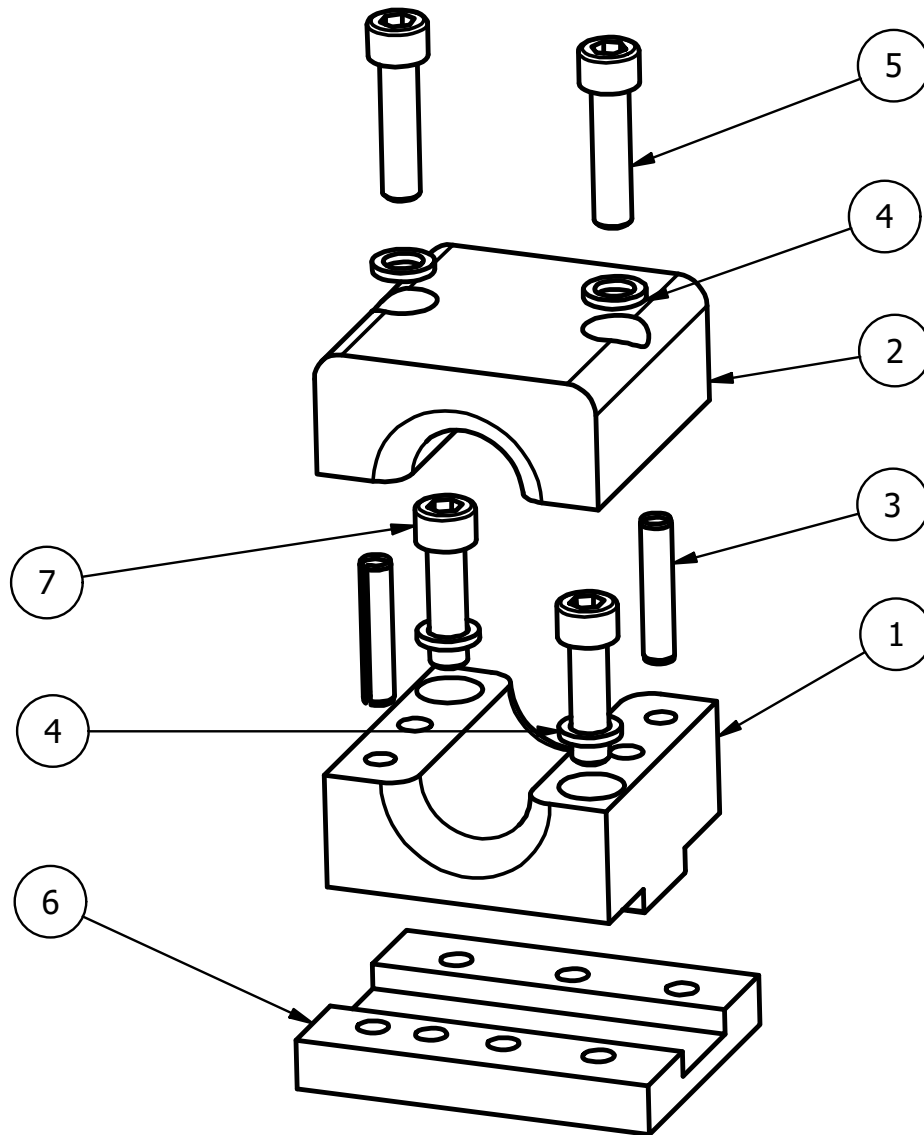
ITEM	PN#	NAME	QTY	UOM
30	OQ7060102	SCREW MC6S M8 - 1.25 x 45	2	EA
31	50-00081	SH CS M6 - 1.00 X 20 Z_12.9	2	EA
32	OQ7060094	SH CS M8 - 1.25 X 25 Z_12.9	4	EA
33	OQ7060175	SCREW MC6LS M8 - 1.25 x 35 10.9 OBH	2	EA
34	OQE04743	SERIAL TAG - OILQUICK AMERICAS	1	EA
35	50-01065	DRIVE SCREW #6 X 3/8 STAINLESS RIVET	4	EA
36	OQ7020130	NOSE SEAL 1/2"	1	EA
37	OQ7020131	NOSE SEAL 3/4"	2	EA
38	OQ7020270	NOSE SEAL 3/8"	2	EA
39	OQ7410059	PINCH DECAL	2	EA
40	OQ4133981	PROTECTIVE PLATE OQ60	1	EA
41	OQ7060082	SCREW M6S M6x14 8.8 FZB	4	EA
42	OQ7072029	WASHER FNDR M6 - 28.0 Z	4	EA
43	OQ4121140	POLY ADAPTER 1/4"+3/8" H-CYLINDER	2	EA
44	OQ4121137	POLY ADAPTER 1/2", H-CYLINDER	1	EA
45	OQ7410059	PINCH DECAL	2	EA
46	OQ7200409	ELBOW ORFS06 UF-G3/8" UF 90° ADJ	1	EA
47	OQ7200227	ELBOW ORFS08 UF-M22X1,5 UF 90° ADJ	1	EA
48	OQ7200228	ELBOW ORFS12 UF-M27X2 UF 90° ADJ	1	EA
49	OQ4121984	WASHER SUPPORT 0.875 - 1.18 X 0.08 P	1	EA
50	OQ7170026	SNAP RING 1/4"	1	EA
51	OQ4121997	ADAPTER RING 3/8", GUIDE PLATE	1	EA
52	OQ4135406	CHASSIS 2.0 H-CYL MOUNT OQ45-OQ60 (SEE NOTE 3)	2	EA
53	50-00773	WASHER NORDLOCK M8 (SEE NOTE 3)	4	EA
54	OQ7060056	SCREW MC6S M8 - 1.25 x 50 12.9 (SEE NOTE 3)	4	EA
55	OQ7200224	PLUG VSTI M16x1,5 ED (SEE NOTE 1)	2	EA
56	50-00904	SH CS M6 - 1.00 X 25_Z 10.9 (SEE NOTE 2)	2	EA
57	50-01095	SH CS M5 - 0.8 X 40 Z_12.9	2	EA
58	OQ7072033	WASHER NORDLOCK M5 - 9.0 X 1.8	2	EA
59	OQ1800514	LOCK SENSOR E-VA	1	EA
60	50-00081	SH CS M6 - 1.00 X 20 Z_12.9 (SEE NOTE 2)	2	EA
61	50-00905	WASHER NORDLOCK M6 - 10.8 X 1.8 1519 (SEE NOTE 2)	5	EA
62	OQE06728	OQSS RETRO MOUNT PLATE OQ60-5 (SEE NOTE 2)	1	EA

ITEM	PN#	NAME	QTY	UOM
63	OQE06729	OQSS RETRO SPACER PLATE OQ60-5 (SEE NOTE 2)	1	EA
64	OQE07560	CABLE 8-POS FEMALE M12/PL 3M	1	EA
65	OQE06609	GUARD ASSY OQSS OQ60-5	1	EA
66	OQE05929	OQ60-5 E-VA ROD-156MM	1	EA
67	50-00082	NUT M6 - 1.00 Z_8	1	EA

## 2.0 - INSTALL COMPONENTS

### 2.1 - HOSE CLAMPS

#### 2.1.1 - OQ4119580 - HOSE CLAMP 3/4"

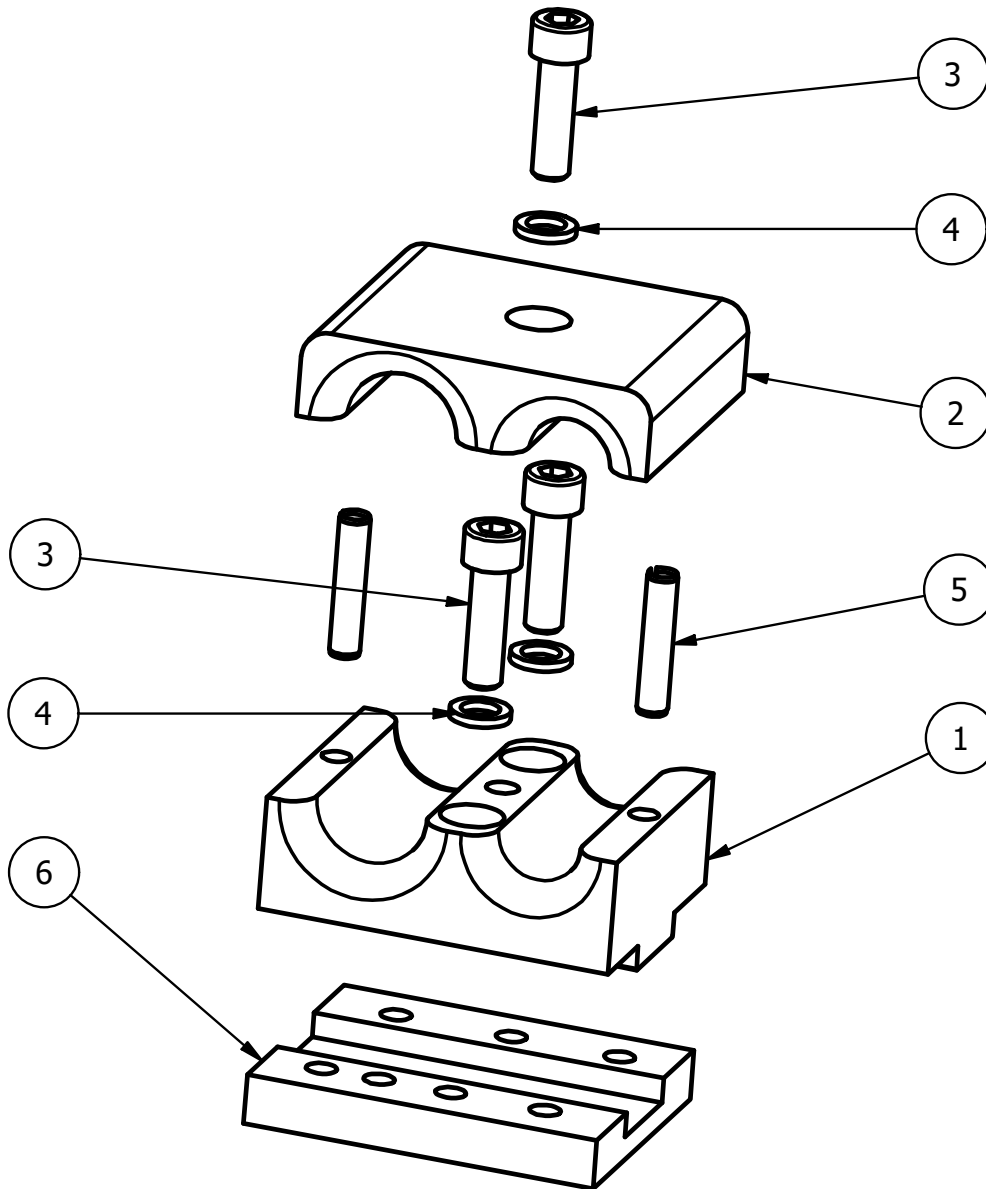


ITEM	PN#	NAME	QTY	UOM
1	OQ4119579	LOWER HOSE CLAMP 3/4"	1	EA
2	OQ4119578	UPPER HOSE CLAMP 3/4"	1	EA
3	OQ7089026	RESILIENT PIPE PIN FRP DIN 1481 8X40	2	EA
4	50-00682	WASHER NORDLOCK M10 - 16.6 X 2.5 1244	4	EA
5	OQ7060110	SCREW MC6S M10x40 12.9	2	EA
6	OQ4119391	WELD PLATE, HOSE CLAMP	1	EA
7	OQ7060099	SH CS M10 - 1.50 X 35 Z_8.8	2	EA

## 2.0 - INSTALL COMPONENTS

### 2.1 - HOSE CLAMPS

#### 2.1.2 - OQ4119423 - HOSE CLAMP 3/4" + 1/2"

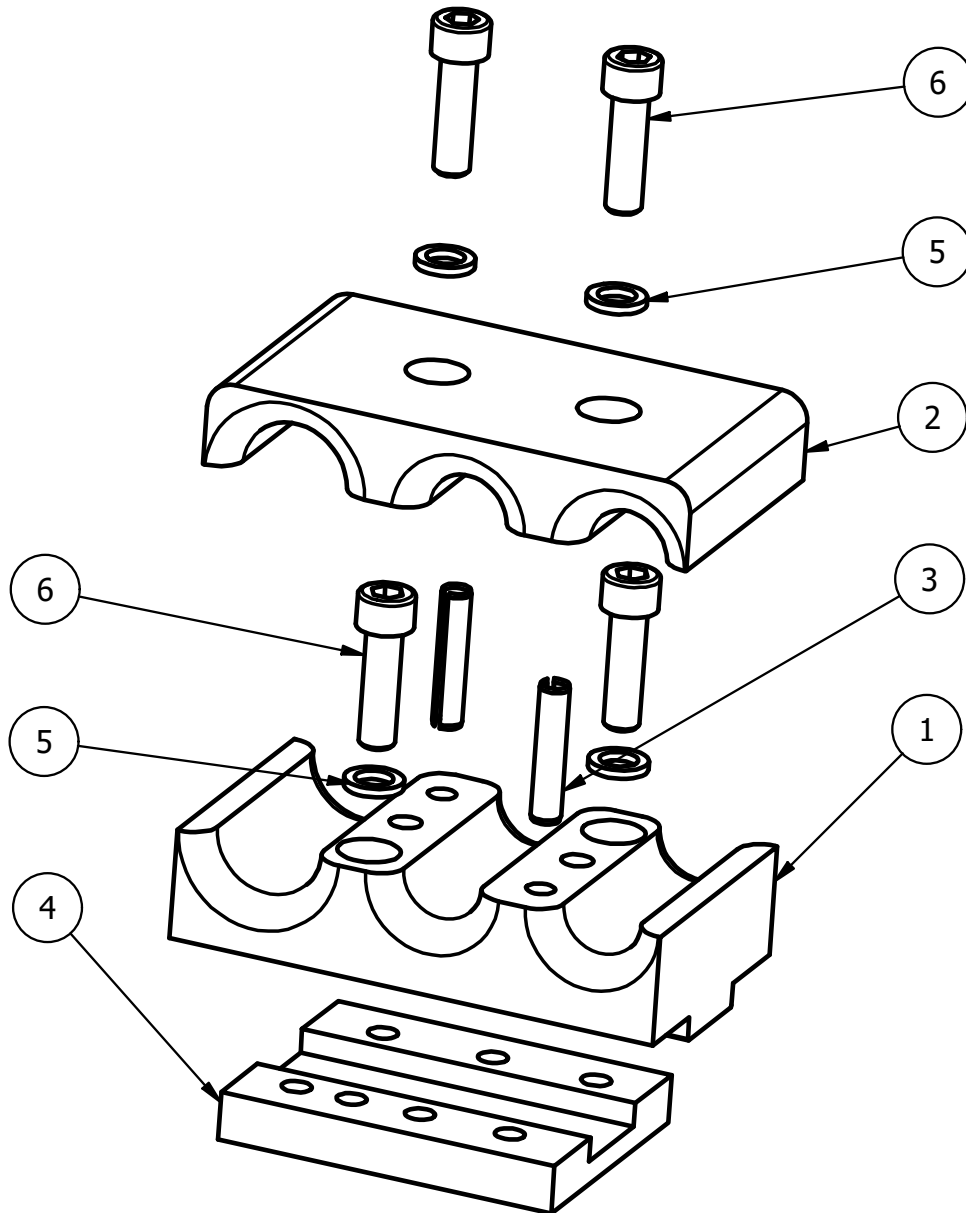


ITEM	PN#	NAME	QTY	UOM
1	OQ4119425	LOWER HOSE CLAMP 1/2" + 3/4"	1	EA
2	OQ4119424	UPPER HOSE CLAMP 1/2" + 3/4"	1	EA
3	OQ7060099	SCREW MC6S 10X35	3	EA
4	50-00682	WASHER NORDLOCK M10 - 16.6 X 2.5 1244	3	EA
5	OQ7089026	RESILIENT PIPE PIN FRP DIN 1481 8X40	2	EA
6	OQ4119391	WELDING PLATE	1	EA

## 2.0 - INSTALL COMPONENTS

### 2.1 - HOSE CLAMPS

#### 2.1.3 - OQ4124041 - HOSE CLAMP 3/4" + 2" + 1/2"

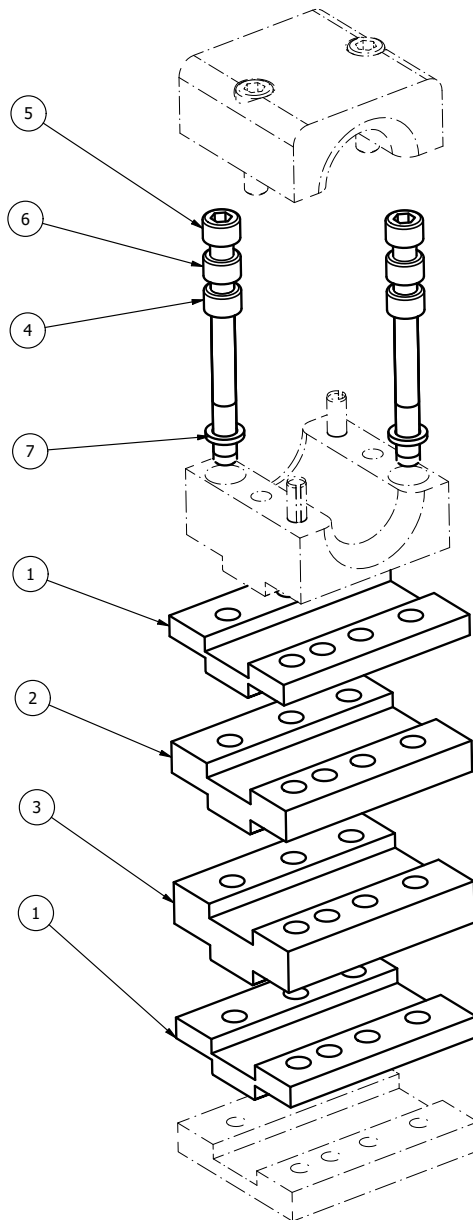


ITEM	PN#	NAME	QTY	UOM
1	OQ4124043	LOWER HOSE CLAMP 1/2" + 3/4"	1	EA
2	OQ4124042	UPPER HOSE CLAMP 1/2" + 3/4"	1	EA
3	OQ7089026	RESILIENT PIPE PIN FRP DIN 1481 8X40	2	EA
4	OQ4119391	WELDING PLATE, HOSE CLAMP	1	EA
5	50-00682	WASHER NORDLOCK M10 - 16.6 X 2.5 1244	4	EA
6	OQ7060099	SCREW MC6S 10X35	4	EA

## 2.0 - INSTALL COMPONENTS

### 2.1 - HOSE CLAMPS

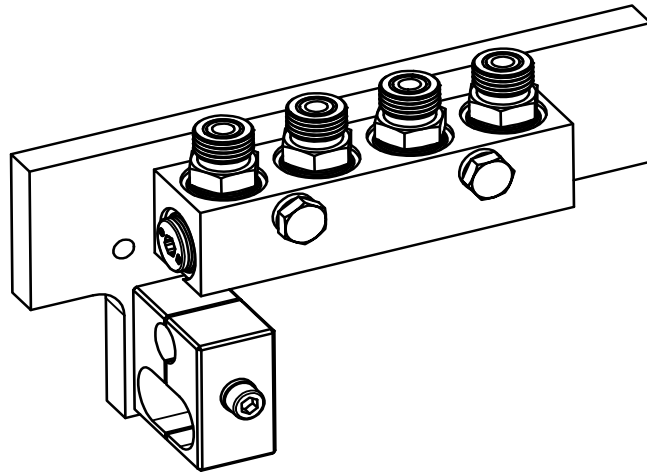
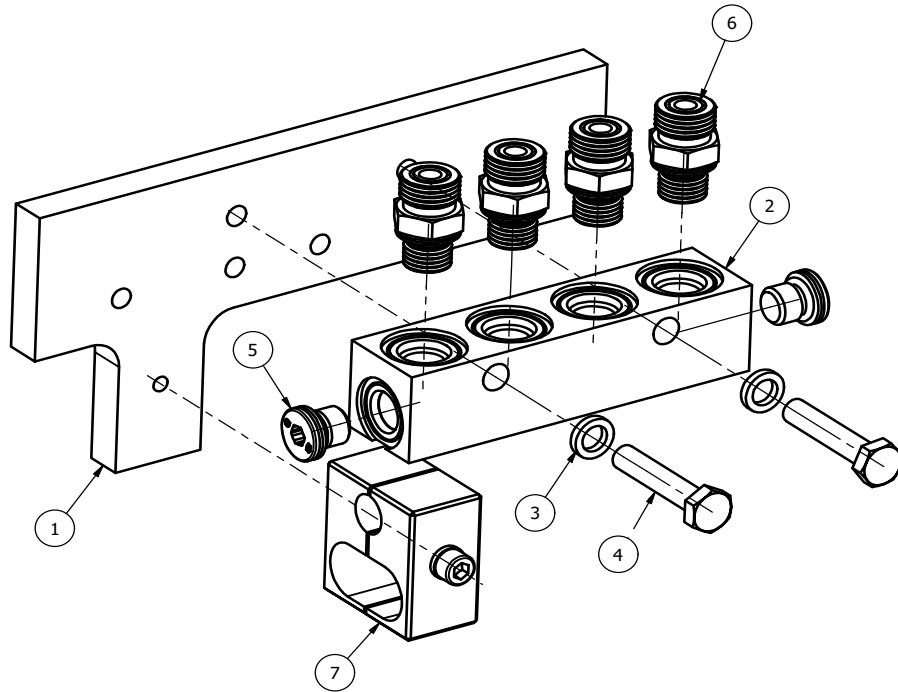
#### 2.1.4 - OQ4119458 - HOSE CLAMP SPACER KIT



ITEM	PN#	NAME	QTY	UOM
1	OQ4119392	SPACER 10MM, HOSE CLAMP	2	EA
2	OQ4119393	SPACER 15MM, HOSE CLAMP	1	EA
3	OQ4119459	SPACER 20MM, HOSE CLAMP	1	EA
4	OQ7060146	SCREW MC6S M10x70 12,9	2	EA
5	OQ7060205	SCREW MC6S M10x80 12.9	2	EA
6	OQ7060177	SHCS MC6S M10-1.50 x90 12.9	2	EA
7	50-00682	WASHER NORDLOCK M10 - 16.6 X 2.5 1244	2	EA

## 2.0 - INSTALL COMPONENTS

### 2.2 - OQ5180018 - GUIDE BLOCK MANIFOLD



ITEM	PN#	NAME	QTY	UOM
1	OQ4115481	BRACKET, LOCKING CIRCUIT	1	EA
2	OQ4115477	HYDR.BLOCK, LOCKING FUNCTION	1	EA
3	50-00773	WASHER NORDLOCK M8 - 13.5 X 2.5 1231	2	EA
4	OQ7060005	SCREW M6s 8x40	2	EA
5	OQ7200208	PLUG VSTI M12x1,5	2	EA
6	40-02252	FTG-HYD 06MO-M14 ISO 261	4	EA
7	OQ5180161	CABLE CLAMP KIT - 13MM + 2X18MM	1	EA



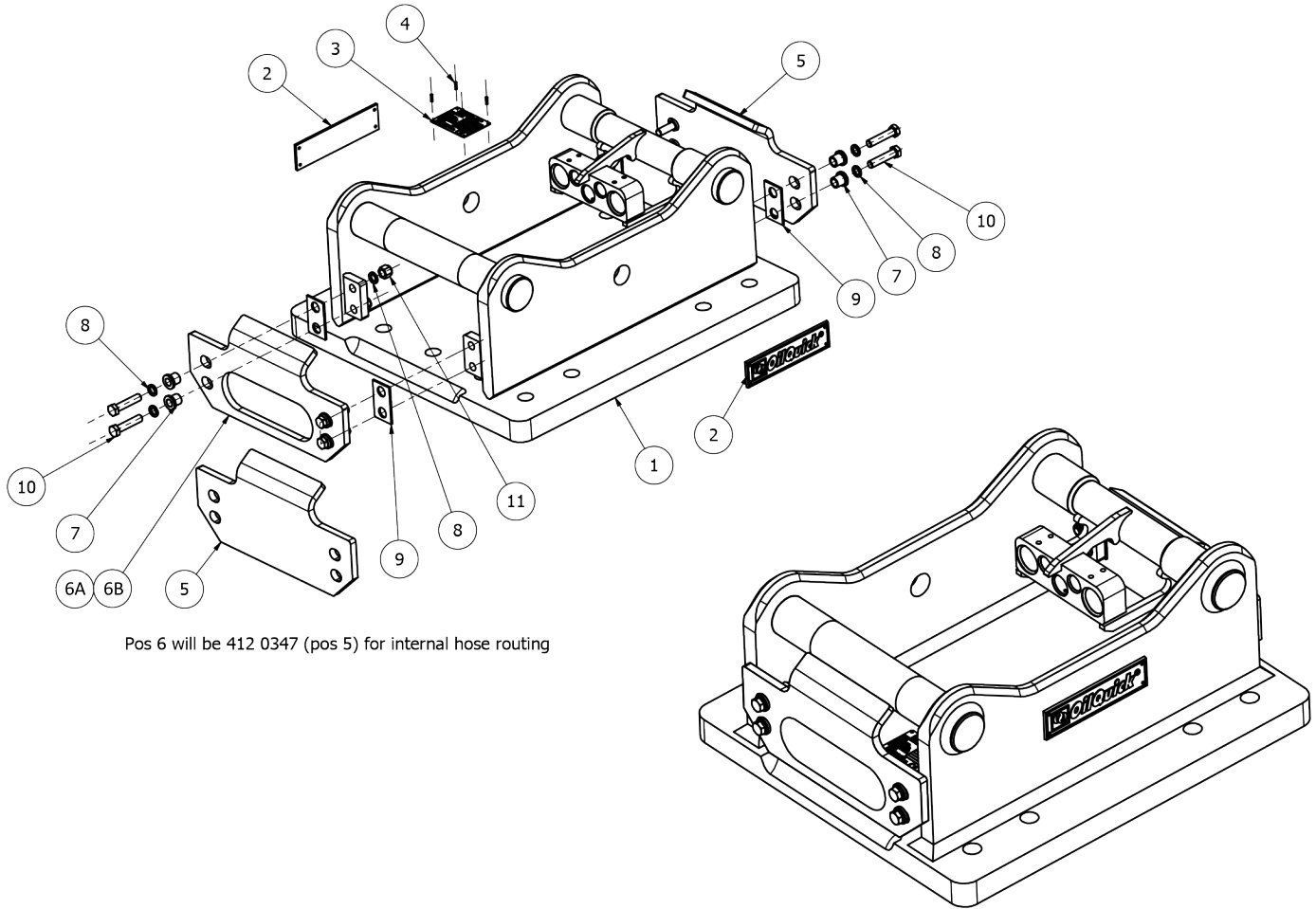
### 3.0 - SERVICE COMPONENTS

#### 3.1 - OQ5110981 - FIRST AID KIT OQ60

ITEM	PN#	NAME	QTY	UOM
1	OQ7020130	NOSE SEAL 1/2"	4	EA
2	OQ7020131	NOSE SEAL 3/4"	4	EA
3	OQ4112220	PUSHER 1/2"	1	EA
4	OQ4112221	PUSHER 3/4"	1	EA
5	OQ4116298	MOUNTING TOOL 1/2"	1	EA
6	OQ4116296	MOUNTING TOOL 3/4"	1	EA
7	OQ7410094	DECAL FIRST AID KIT	1	EA
8	OQ7406065	FIRST AID KIT BOX	1	EA

## 4.0 - ATTACHMENT FRAME

### 4.1 - OQ4120600 - D-FRAME

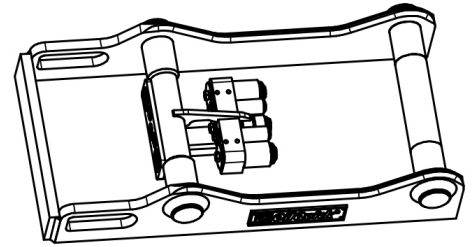
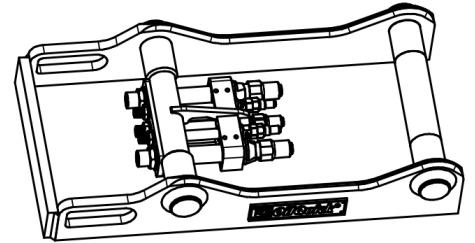
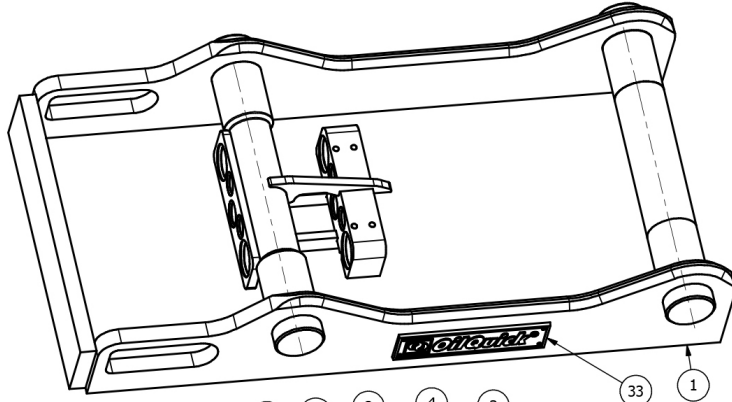


Pos 6 will be 412 0347 (pos 5) for internal hose routing

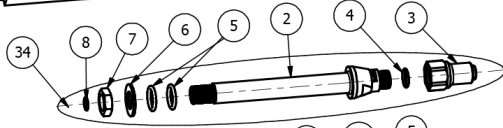
ITEM	PN#	NAME	QTY	UOM
1	OQ411XXXX	ATTACHMENT BRACKET	1	EA
2	OQ4116145	EMBLEM - OILQUICK - OQ45-OQ65	2	EA
3	OQ4118161	OILQUICK IDENTIFACTION PLATE SERIAL TAG	1	EA
4	OQ7093007	RIVET POP 3.2 x12.3 ALUMINUM	4	EA
5	OQ4120347	PROTECTION PLATE - OQ60 SOLID	2	EA
6A	OQ4120346	PROTECTION PLATE - OQ60 SOLID	1	EA
6B	OQE05116	PROTECTION PLATE - OQ60 CUTOUT	1	EA
7	OQ4120324	SLEEVE - PROTECTION PLATE TOOL ADAPT	8	EA
8	OQ7072007	WASHER NORDLOCK M12-19.5 X 2.5 1262	16	EA
9	OQ4120567	RUBBER SPACER OQ60-70/55	4	EA
10	OQ7060217	HH CS M12 x 55 8.8_FZB	8	EA
11	OQ7065005	NUT- M12 NYLOCK	8	EA

# 4.0 - ATTACHMENT FRAME

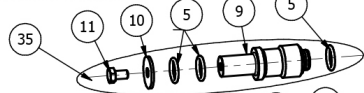
## 4.2 - OQ4122018 - C-FRAME



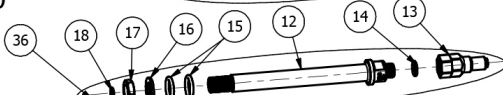
1/2" = 511 0084



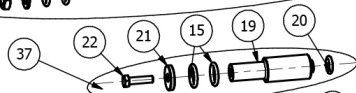
1/2" = 411 3860



3/8" = 511 0130



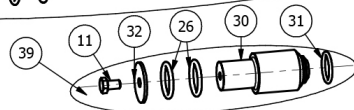
3/8" = 511 0068



3/4" = 511 0085



3/4" = 411 3858



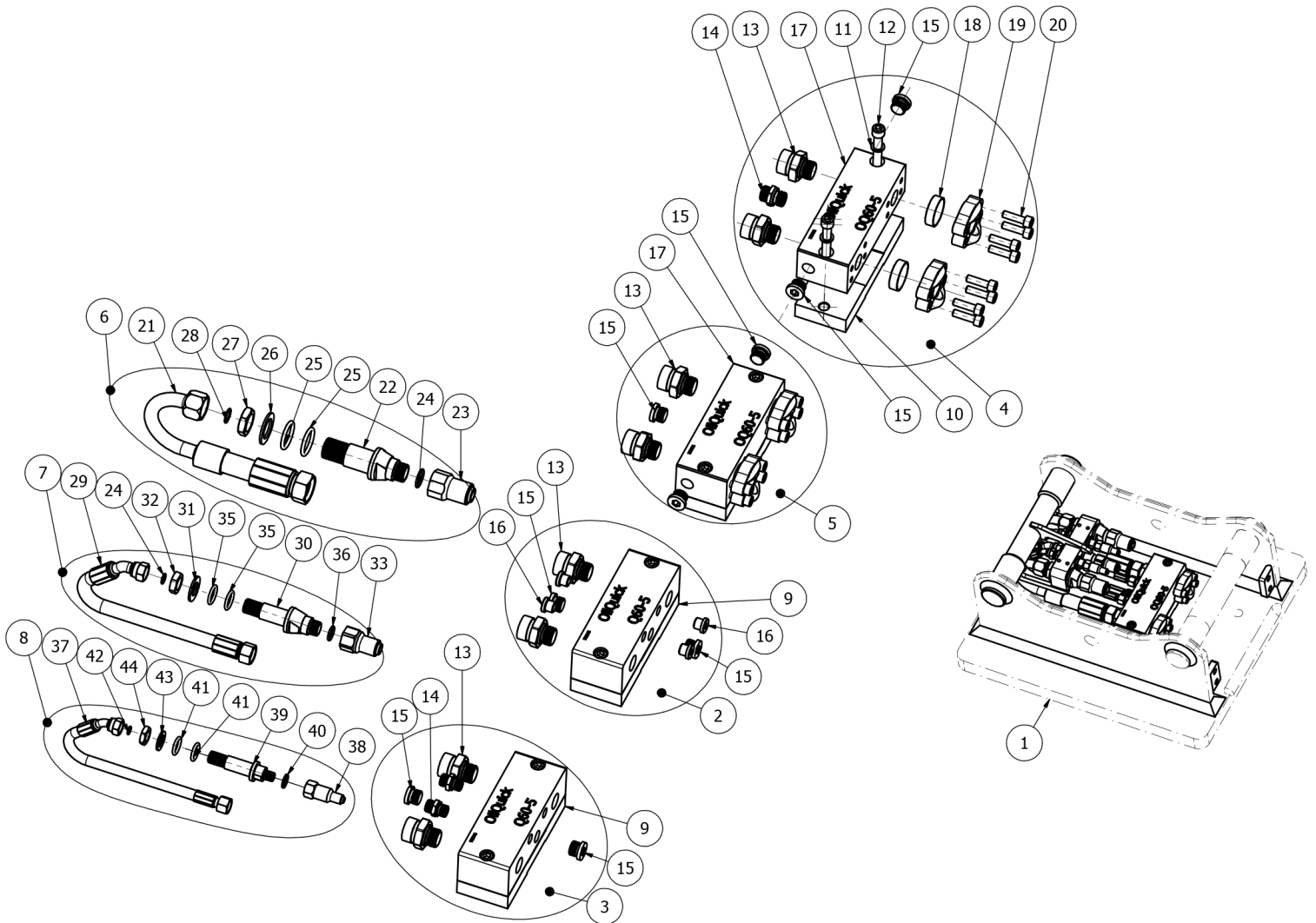
ITEM	PN#	NAME	QTY	UOM
1	OQ4118697	OQ60-5 C-FRAME - BLANK	1	EA
2	OQ4113767	BULKHEAD 1/2" LONG OQ60-5	1	EA
3	OQ7206017	HYDRAULIC COUPLING 1/2", MALE	1	EA
4	OQ7160048	O-RING 17,6x2,62 NBR70	1	EA
5	OQ7160031	RUBBER RING 22x4	3	EA
6	OQ4112316	WASHER 0.750 - 1.49 X 0.12 P	1	EA
7	OQ4112399	NUT 13/16"-16UN, T=9	1	EA
8	OQ4110045	O-RING	1	EA
9	OQ4113859	POLY ADAPTER 1/2"	1	EA
10	OQ4112660	WASHER 1/2"	1	EA
11	OQ7060118	SCREW	3	EA
12	OQ4118758	BULKHEAD 3/8"	2	EA
13	OQ4118750	HYDRAULIC COUPLING 3/8", MALE	2	EA
14	OQ7160058	O-RING 13.3x2.4 NBR90	2	EA
15	OQ7160077	O-RING 20x4 NBR70	4	EA
16	OQ4114030	WASHER 0.625 X 1.16 - 0.10 Z	2	EA
17	OQ7065043	NUT 11/16"-16 UN	2	EA
18	OQ7160078	O-RING 9,25x1,78 NBR70	2	EA
19	OQ4118113	POLY ADAPTER 3/8"	2	EA
20	OQ7160079	O-RING Ø13x4 NBR70	2	EA
21	OQ4114173	WASHER 1/4"	2	EA
22	OQ7060108	HH CS M8 - 1.25 x 30	2	EA
23	OQ4113768	BULKHEAD 3/4" LONG OQ60-5	2	EA
24	OQ7206019	HYDRAULIC COUPLING 3/4", MALE	2	EA
25	OQ7160049	O-RING 23,47x2,62 NBR70	2	EA
26	OQ7160043	O-RING 34x5 NBR 70	4	EA
27	OQ4112315	WASHER 1.188 - 1.88 X 0.12 P	2	EA
28	OQ4112398	NUT 1 3/16"-12UN, T=10,5	2	EA
29	OQ7160046	O-RING-018 -12MO (18,77x1,78) NBR 90D	2	EA

ITEM	PN#	NAME	QTY	UOM
30	OQ4113857	POLY ADAPTER 3/4"	2	EA
31	OQ7160032	RUBBER RING 30x4	2	EA
32	OQ4112659	WASHER 3/4"	2	EA
33	OQ4116145	EMBLEM - OILQUICK - OQ45-OQ65	2	EA
34	OQ5110084	COUPLING KIT 1/2" LONG OQ60	1	EA
35	OQ4113860	POLY ADAPTER 1/2" OQ60-OQ65	1	EA
36	OQ5110130	COUPLING KIT 3/8" LONG OQ60-5	2	EA
37	OQ5110068	POLY ADAPTER 1/4" & 3/8" OQ60-5	2	EA
38	OQ5110085	COUPLING KIT 3/4" LONG OQ60	2	EA
39	OQ4113858	POLY ADAPTER 3/4" OQ65	2	EA



## 4.0 - ATTACHMENT FRAME

### 4.3 - OQ4118854 - SPLIT BLOCKS

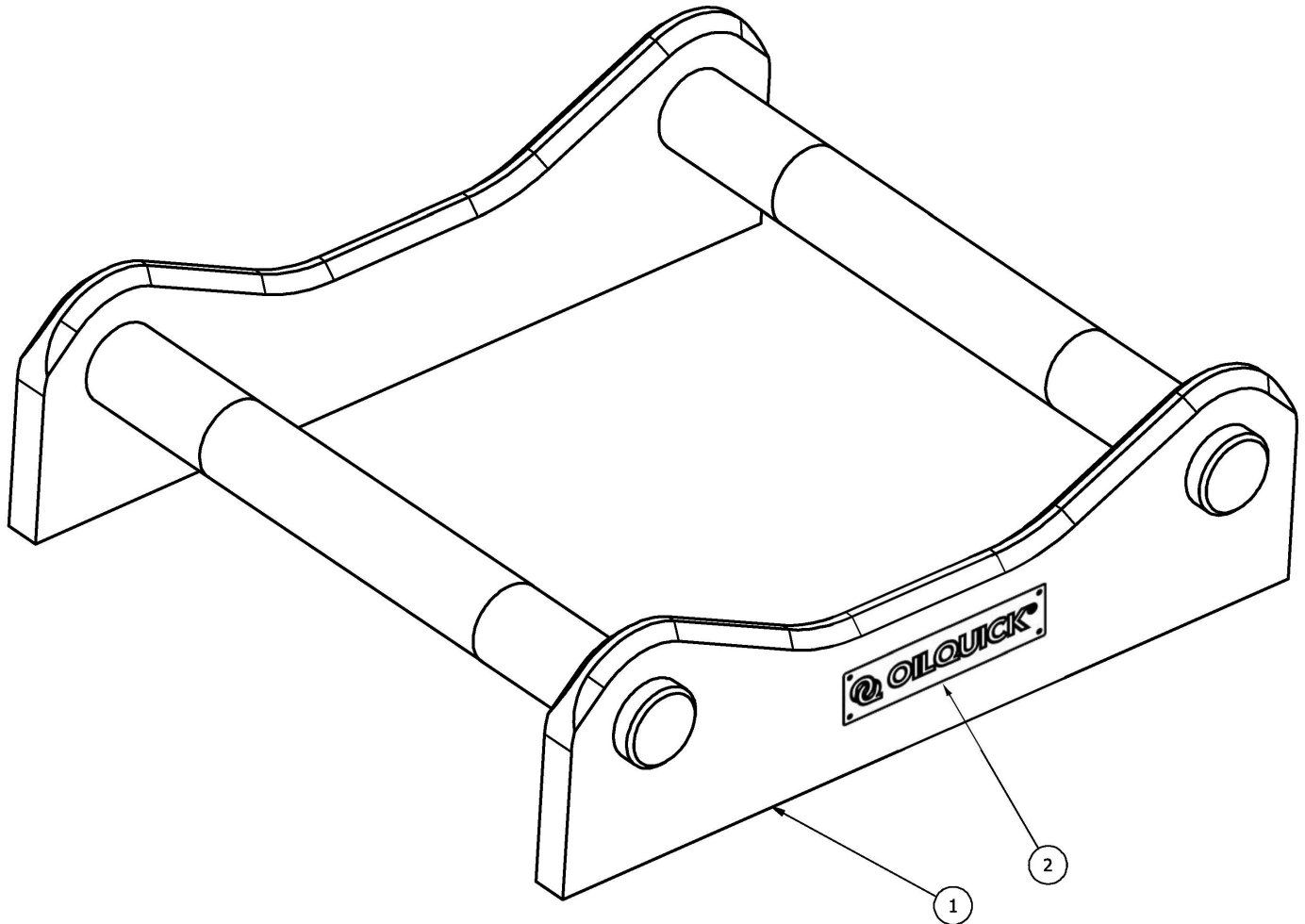


ITEM	PN#	NAME	QTY	UOM
1	OQ411xxxx	TOOL ADAPTER	1	EA
2	OQ4119539	H-CYLINDER OQ45-5	1	EA
3	OQ5110208	HYDR.BLOCK KIT 2x3/4", 2x3/8"	1	EA
4	OQ5110209	HYDR.BLOCK KIT 2x3/4", 1x1/2" split	1	EA
5	OQ5110207	HYDR.BLOCK KIT 2x3/4" SPLIT, OQ60-5	1	EA
6	OQ5110124	COUPLING KIT 3/4" OQ65 BLOCK	2	EA
7	OQ5110123	COUPLING KIT 1/2" OQ65 BLOCK	1	EA
8	OQE04138	COUPLING KIT 3/8" OQ60-5 BLOCK	2	EA
9	OQ7200329	HYDR.BLOCK 2x3/4", 1x1/2", 2x1/4"	1	EA
10	OQ4119690	SPACER, OQ60-5 TOOL ADAPTER	1	EA
11	OQ7072007	WASHER NORDLOCK M12-19.5 X 2.5 1262	2	EA
12	OQ7060132	SCREW MC6S M12x80 12.9	2	EA
13	OQ7200297	NIPPLE 25S-G3/4" UF ED	2	EA
14	OQ7200445	NIPPLE 12L-G3/8" UF ED	2	EA
15	OQ7091009	PLUG - 08 MBSPP -ED	2	EA
16	OQ7060009	PLUG 3/8" ED	4	EA
17	OQ7200328	SPLIT BLOCK OQ60-5 2X3/4", 1x1/2"	1	EA
18	OQ7207009	PLASTIC PLUG, SAE6 FLANGE 3/4"	2	EA
19	OQ7207008	SAE6 FLANGE 3/4"	4	EA
20	OQ7060099	SH CS M10 - 1.50 X 35 Z_8.8	8	EA
21	OQ7150219	HYDRAULIC HOSE/PIPE 3/4"	2	EA
22	OQ4113766	BULKHEAD 3/4" SHORT OQ65	2	EA
23	OQ7206019	HYDRAULIC COUPLING 3/4", MALE	2	EA
24	OQ7160049	O-RING 23,47x2,62 NBR70	2	EA
25	OQ7160043	O-RING 34x5 NBR 70	4	EA
26	OQ4112315	WASHER 1.188 - 1.88 X 0.12 P	2	EA
27	OQ4112398	NUT 1 3/16"-12UN, T=10,5	2	EA
28	OQ7160046	O-RING-018 -12MO (18,77x1,78) NBR 90D	2	EA
29	OQ7150218	HYDRAULIC HOSE 1/2" L=425	1	EA

ITEM	PN#	NAME	QTY	UOM
30	OQ7150218	HYDRAULIC HOSE 1/2" L=425	1	EA
31	OQ4112316	WASHER 0.750 - 1.49 X 0.12 P	1	EA
32	OQ4112399	NUT 13/16"-16UN, T=9	1	EA
33	OQ7206017	HYDRAULIC COUPLING 1/2", MALE	1	EA
34	OQ7160045	O-RING-014 -08MO (12,42x1,78) NBR 90D	1	EA
35	OQ7160031	RUBBER RING 22x4	2	EA
36	OQ7160048	O-RING 17,6x2,62 NBR70 HYDRAULIC	1	EA
37	OQ7150251	HOSE 1/4" L=350 & 3/8"	2	EA
38	OQ4118750	HYDRAULIC COUPLING 3/8", MALE	2	EA
39	OQ4118757	BLKHEAD 3/8" SHORT OQ60-5	2	EA
40	OQ7160058	O-RING 13.3x2.4 NBR90	2	EA
41	OQ7160077	O-RING 20x4 NBR70	4	EA
42	OQ7160078	O-RING 9,25x1,78 NBR70	2	EA
43	OQ4114030	WASHER 0.625 X 1.16 - 0.10 Z	2	EA
44	OQ7065043	NUT 11/16"-16 UN	2	EA

## 4.0 - ATTACHMENT FRAME

### 4.4 - OQE05111 - MECHANICAL ATTACHMENT FRAME



ITEM	PN#	NAME	QTY	UOM
1	OQE00119	OQ80R- MECHANICAL ATTACHMENT FRAME	1	EA
2	OQ4116271	EMBLEM - OILQUICK - OQ70-OQ120	2	EA
3	OQE04831	INSTRUCTIONS MECHANICAL ATTACHMENT FRAME	1	EA

Dealer:



OilQuickAmericas  
155 Main Street  
Superior, WI 54880  
Phone: 262.607.8425  
Fax: 715.395.3703

E-mail: [info@oilquickamericas.com](mailto:info@oilquickamericas.com)  
Web: [www.oilquickamericas.com](http://www.oilquickamericas.com)