



OILQUICK®

Change from grapple to high voltage magnet in seconds with OilQuick Automatic Quick Coupler

ANYTIME.

ANY ATTACHMENT.

ANY MACHINE.

The OQC is an OilQuick suspended quick coupler, which is primarily designed for use on loading cranes and other handling equipment.

The system consists of an extremely rugged 360° rotator mounted on our fully hydraulic, tried-and-tested quick coupler. The OQC unit is suspended from the handling equipment's stick.

oilQuickAmericas.com

Manufactured in the USA

Coupler function

OQC system for Material Handlers/Cranes



Adapter with coupling ramp for hydraulic or high-voltage attachments

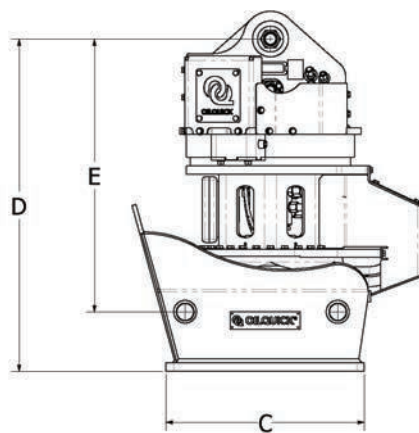
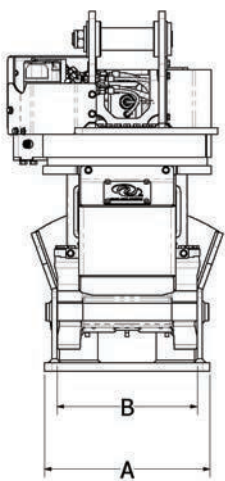


Quick coupler with rotator fits any manufacturer attachment

Basic Data

Model	Rotator	Dimensions (in.)					Weight (lbs.)			Max. lift capacity
		A	B	C	D	E	Coupler	Rotator	Adapter	Metric Tonne (t)
OQC65-I20	XR400	20.9	17.4	28.3	28.6	20.2	496	551	516	20
OQC65-R20	RT504	20.9	17.4	28.3	44.4	36.0	496	671	516	20
OQC65-R25	RT1004	20.9	17.4	28.3	47.1	38.8	496	970	516	25
OQC70/55-R35	RT1204	25.6	21.7	30.7	51.4	42.2	771	1670	758	35
OQC90-R54	RT1204	37.4	29.6	43.3	58.5	46.4	2168	1580	2128	54
OQC90-R68	RT1504	37.4	29.6	43.3	64.4	52.3	2168	1924	2128	68

*Weight without grapple suspension



Maximum number of couplings

Model	1"	3/4"	1/2"	3/8"
OQC65-I20	-	3	2	-
OQC65-R20	-	3	2	-
OQC65-R25	-	3	2	-
OQC70/55-R35	2	2	2	-
OQC90-R54	4	1	3	1
OQC90-R68	4	1	3	1